

[54] COMBINED CUP AND TOWEL DISPENSER

3,069,048 12/1962 Easton et al. .... 221/45  
3,389,883 6/1968 Johnson ..... 248/311.2

[75] Inventor: Randall N. Bartlett, Bay Minette, Ala.

OTHER PUBLICATIONS

[73] Assignee: Syntex (U.S.A.) Inc., Palo Alto, Calif.

Sweet's Catalog File-arch, 1978, Sec. 10.16/AC, p. 8, Cabinet w/Towel and Cup Dispenser, #0425, middle of page.

[\*\*] Term: 14 Years

Primary Examiner—B. J. Bullock  
Assistant Examiner—Suzanne N. Gitlin  
Attorney, Agent, or Firm—David A. Lowin

[21] Appl. No.: 515,000

[22] Filed: Jul. 18, 1983

[52] U.S. Cl. .... D6/516; D6/522; D6/527

[58] Field of Search ..... D6/515, 516, 518, 519, D6/522, 527, 535, 553, 559; 221/193, 194, 45, 282, 283; 312/37, 42, 43, 50, 60; 211/49.1

[57] CLAIM

The ornamental design for a combined cup and towel dispenser, substantially as shown.

[56] References Cited

U.S. PATENT DOCUMENTS

D. 205,412	8/1966	Clark	.....	D6/522
D. 226,780	4/1973	Thompson	.....	D6/516
D. 263,180	3/1982	Herbst	.....	D6/522
2,274,866	3/1942	Martens	.....	221/283
2,990,950	7/1961	Alexander	.....	221/45

DESCRIPTION

FIG. 1 is a front elevational view of a combined cup and towel dispenser showing my new design;  
FIG. 2 is a rear elevational view thereof;  
FIG. 3 is a side elevational view taken from the right of FIG. 1;  
FIG. 4 is a side elevational view taken from the left of FIG. 1;  
FIG. 5 is a front perspective view thereof.

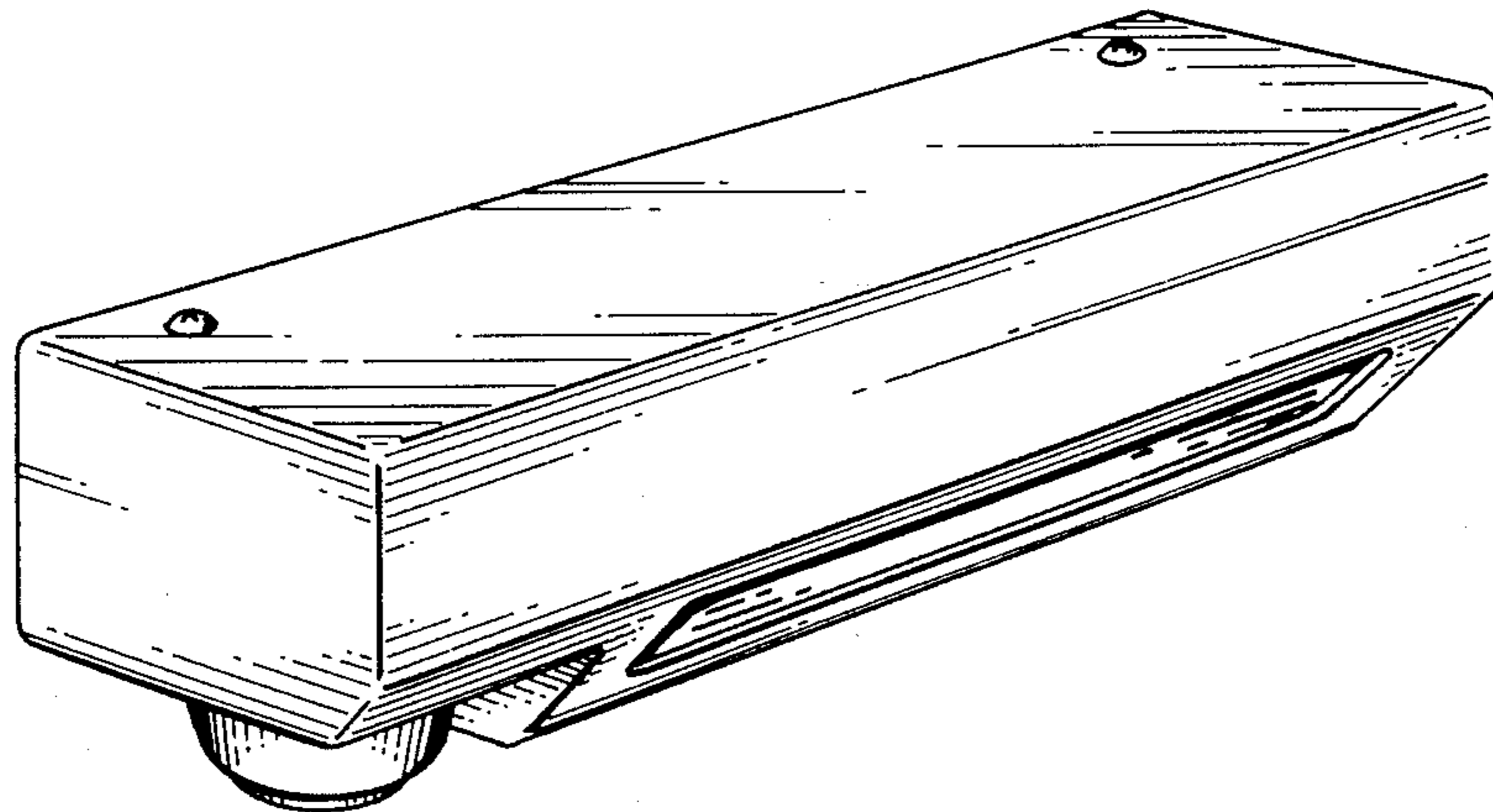


FIG. 1

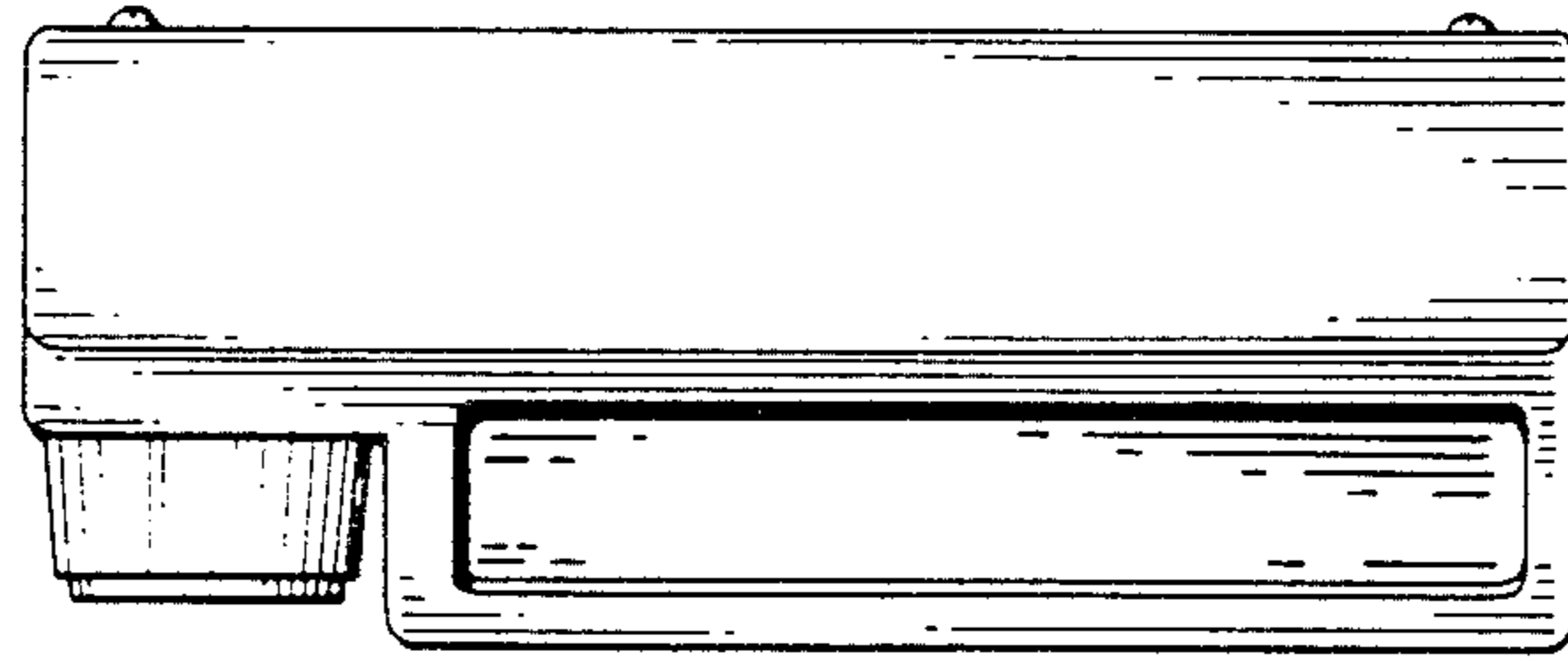


FIG. 2

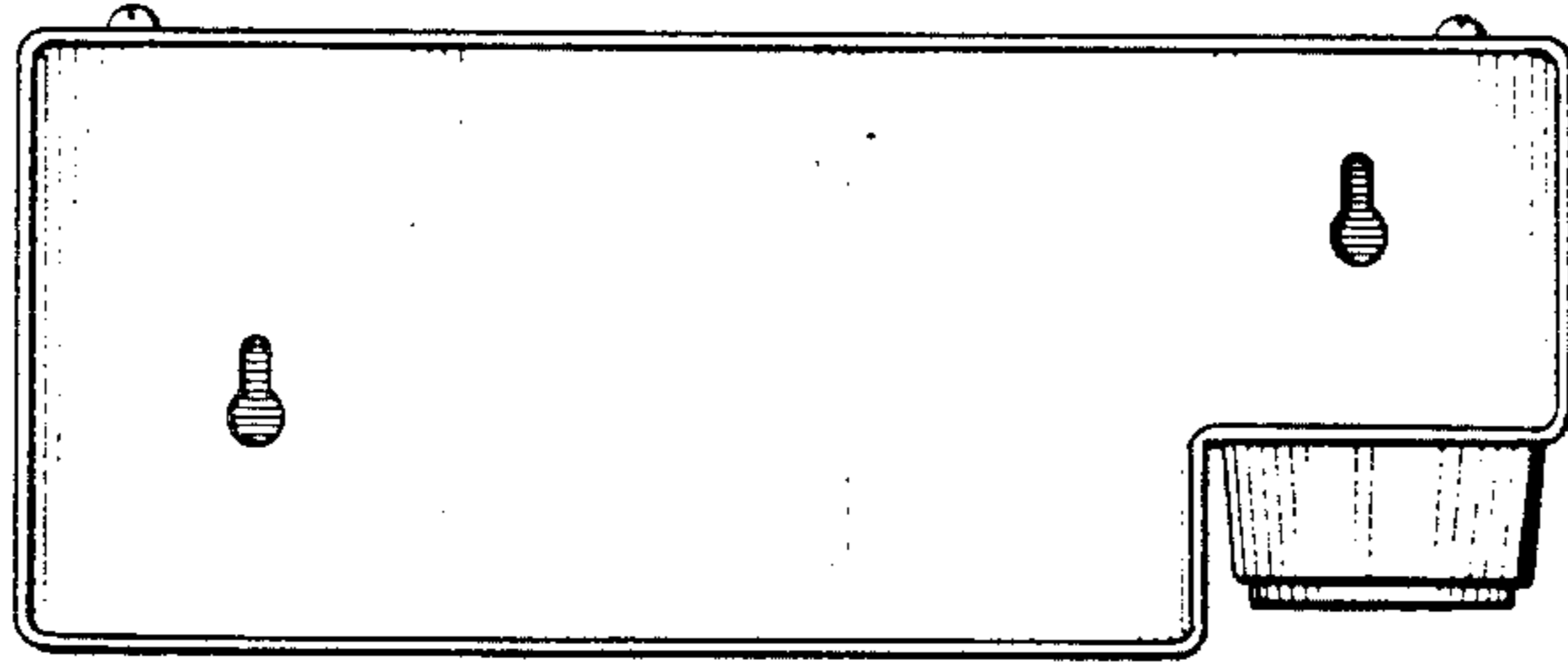


FIG. 3

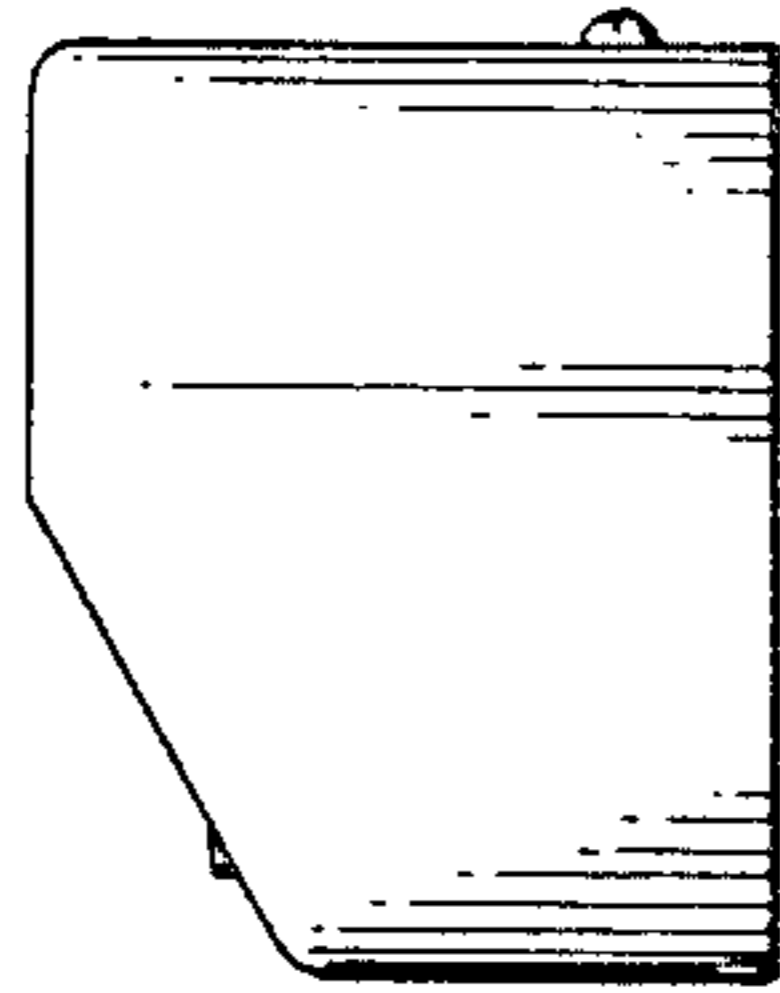


FIG. 4

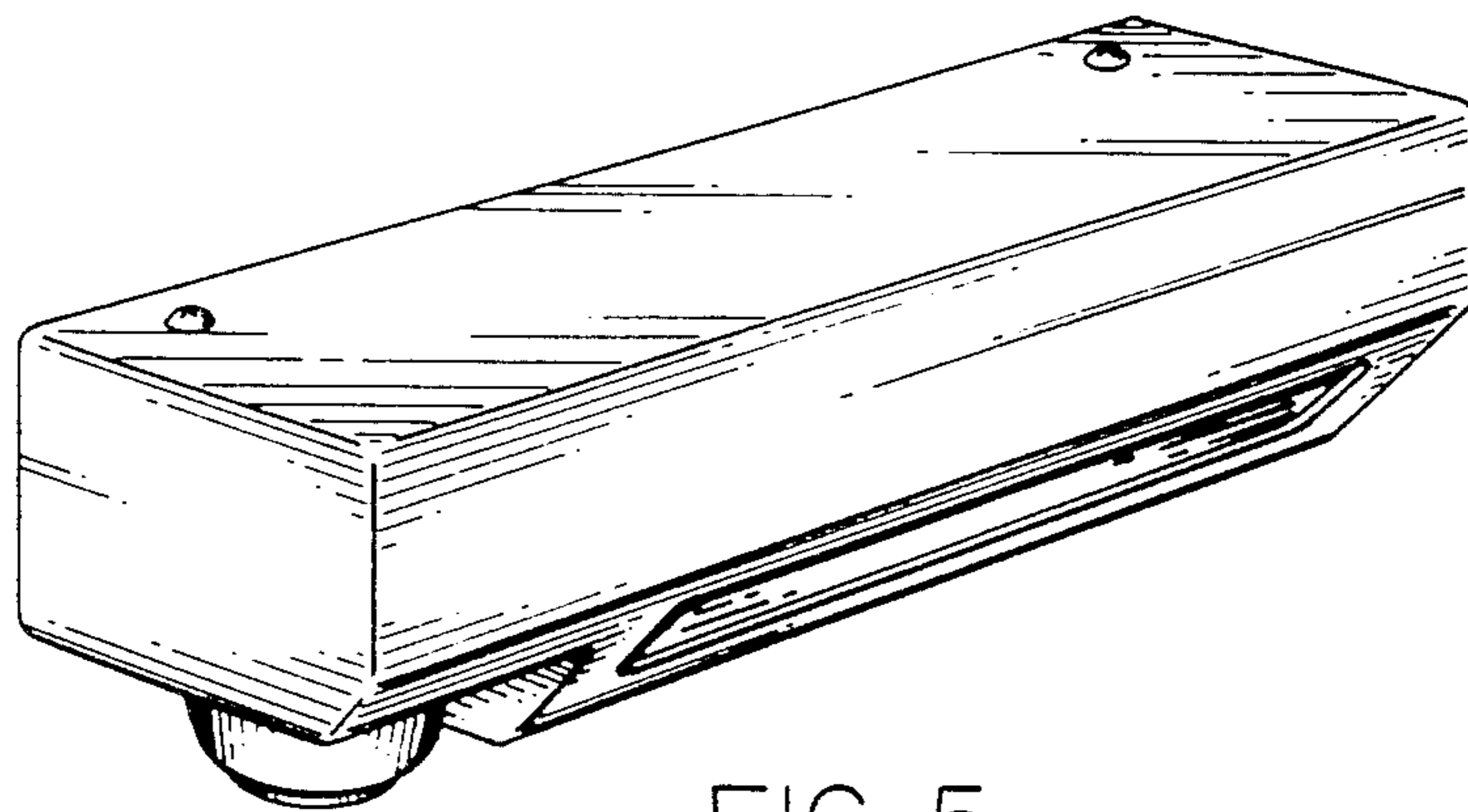
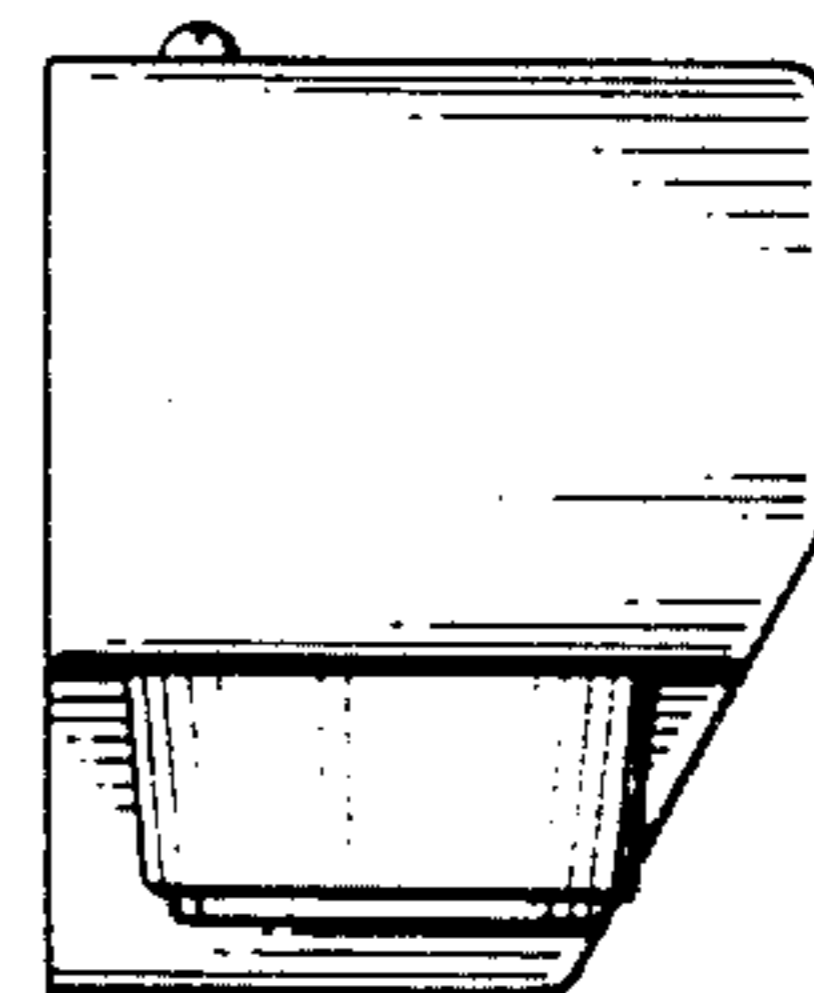


FIG. 5