

[54] **DETACHABLE TRAY**  
[75] **Inventor: Richard C. Wellington, Woodcliff Lake, N.J.**  
[73] **Assignee: Wellington Home Products, Paterson, N.J.**  
[\*\*] **Term: 14 Years**  
[21] **Appl. No.: 544,220**  
[22] **Filed: Oct. 21, 1983**  
[52] **U.S. Cl. .... D6/511; D6/566**  
[58] **Field of Search ..... D6/449, 491, 553, 555, D6/566; D3/40; D7/37; D34/42**

2,856,251 10/1958 Garrison ..... D7/37 X  
3,978,799 9/1976 Escalette ..... D6/566 X  
4,072,246 2/1978 Paulin ..... D6/566 X

**OTHER PUBLICATIONS**

Androck Catalog, No. K-228, p. 44, Soap Dish No. 410.

*Primary Examiner*—Bruce W. Dunkins  
*Attorney, Agent, or Firm*—Lerner, David, Littenberg, Krumholz & Mentlik

**CLAIM**

The design is for a detachable tray, substantially as shown and described.

**DESCRIPTION**

FIG. 1 is a front elevational view of a detachable tray of the present invention;  
FIG. 2 is a rear elevational view of the detachable tray of FIG. 1;  
FIG. 3 is a left side elevational view of the detachable tray of FIG. 1;  
FIG. 4 is a right side elevational view of the detachable tray of FIG. 1;  
FIG. 5 is a bottom plan view of the detachable tray of FIG. 1; and  
FIG. 6 is a top plan view of the detachable tray of FIG. 1.

[56] **References Cited**  
**U.S. PATENT DOCUMENTS**  
D. 156,394 12/1949 Yohey ..... D6/566  
D. 157,571 3/1950 Dennis ..... D34/42  
D. 204,998 6/1966 Klein ..... D3/40  
D. 214,219 5/1969 Swartz ..... D6/566  
D. 237,674 11/1975 Seltzer ..... D6/566  
D. 242,888 1/1977 Mazie et al. .... D6/566  
D. 257,296 10/1980 White ..... D7/37 X  
D. 270,785 10/1983 White ..... D7/37 X  
1,593,834 7/1926 McNeal et al. .... D7/37 X  
1,875,107 8/1932 Mueller ..... D3/40 X

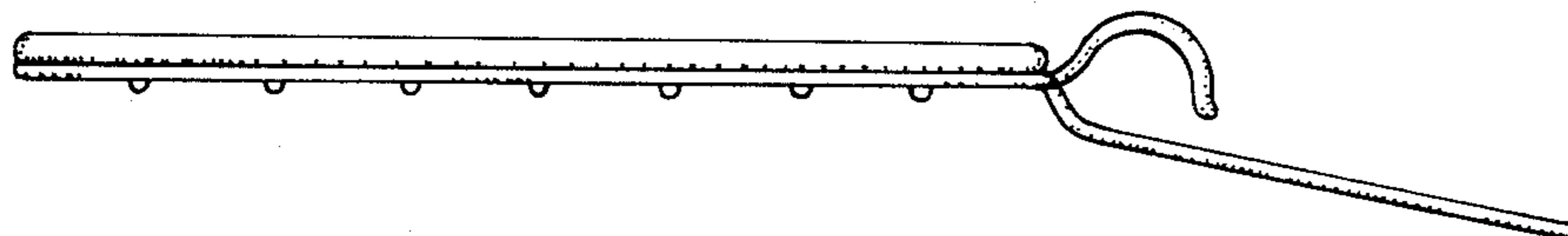


FIG. 1

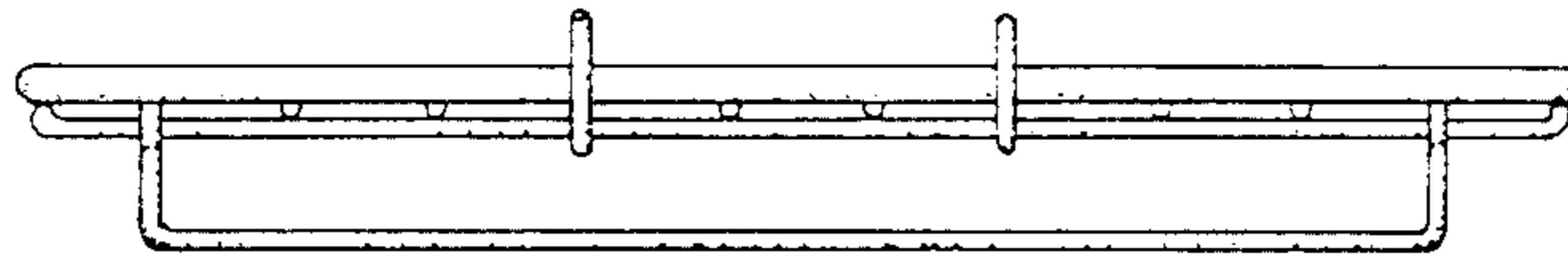


FIG. 2

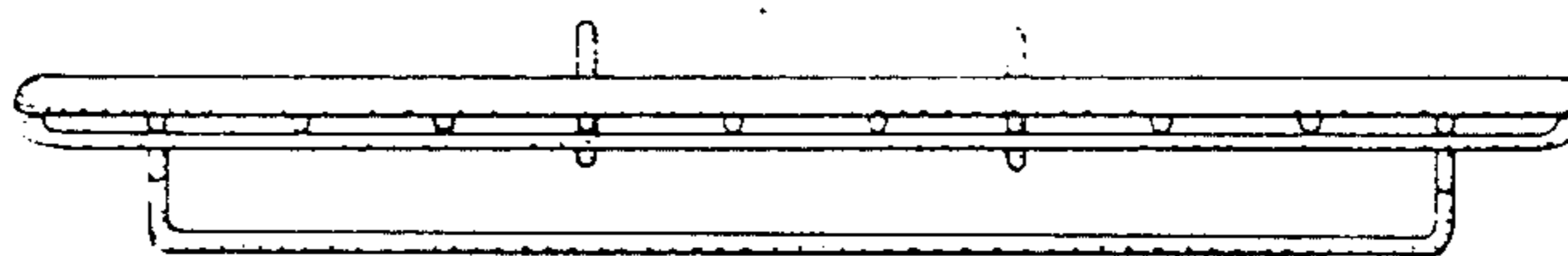


FIG. 3

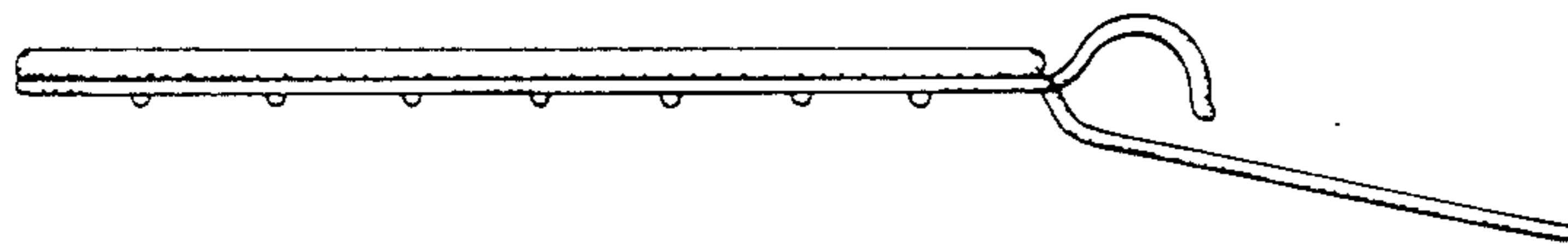


FIG. 4

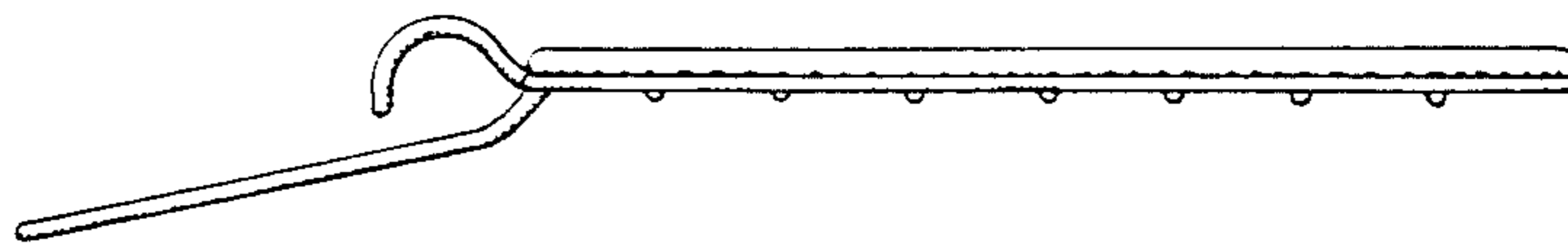


FIG. 5

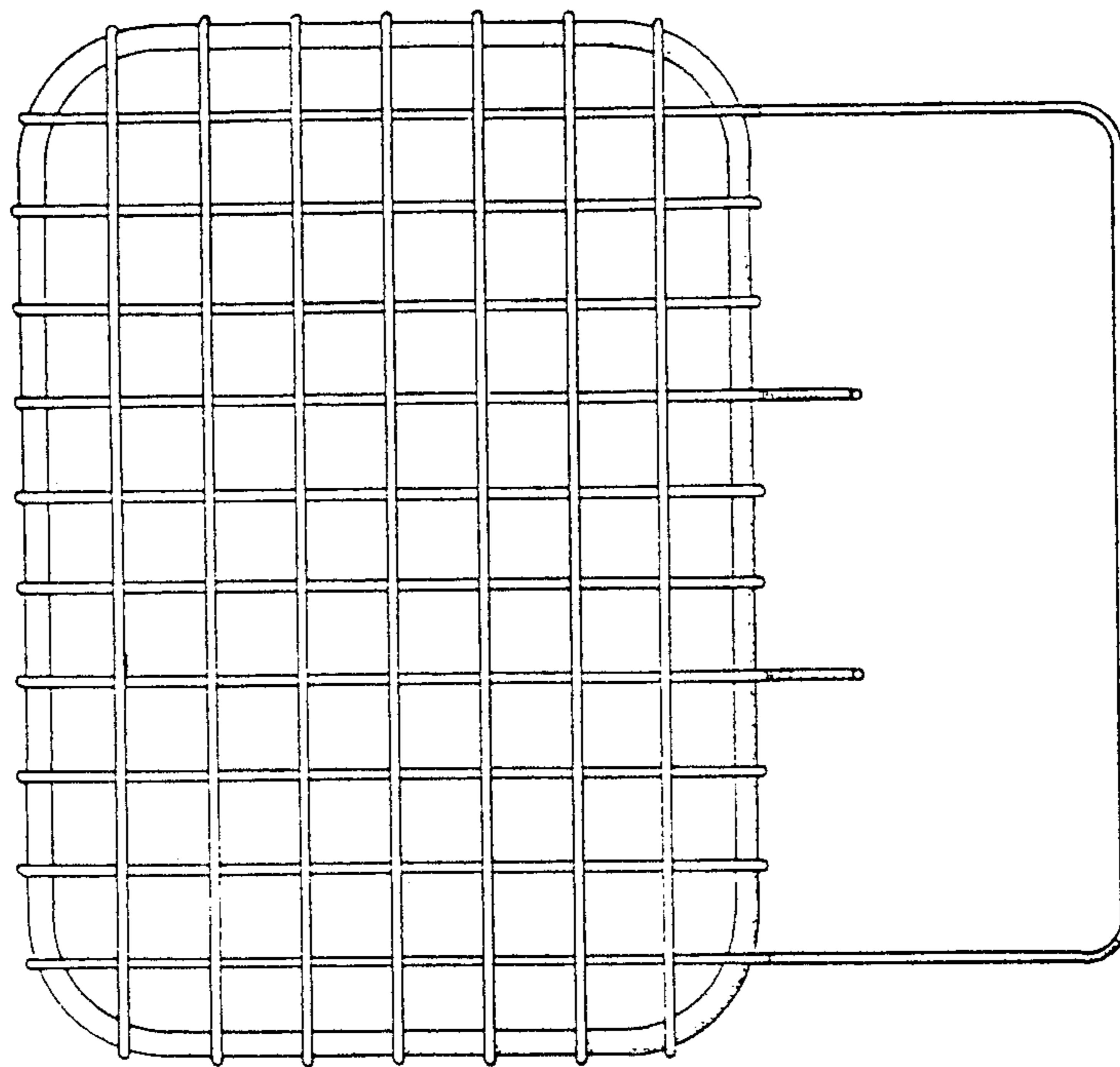


FIG. 6

