

[54] INFORMATION INDICATOR FOR ATTACHMENT TO A GARMENT HANGER

4,137,661 2/1979 Johansson 40/322
4,322,902 4/1982 Lenthall 40/322
4,333,590 6/1982 Princiotta D6/319 X

[76] Inventor: John Kodet, 225 West St., Carlton, New South Wales, Australia

Primary Examiner—Catherine E. Kemper
Attorney, Agent, or Firm—Darby & Darby

[**] Term: 14 Years

[57] CLAIM

[21] Appl. No.: 497,614

The ornamental design for an information indicator for attachment to a garment hanger, as shown and described.

[22] Filed: May 24, 1983

[30] Foreign Application Priority Data

DESCRIPTION

Feb. 12, 1982 [AU] Australia 2256/82

[52] U.S. Cl. D6/328

[58] Field of Search D6/315, 318, 319, 328; 223/85-98; 40/322

FIG. 1 is a perspective view of an information indicator for attachment to a garment hanger showing my new design;

FIG. 2 is a front view thereof;

FIG. 3 is a rear view thereof;

FIG. 4 is a left side view thereof;

FIG. 5 is a right side view thereof;

FIG. 6 is a top view thereof; and

FIG. 7 is a bottom view thereof.

The broken line disclosure of the numerals is for illustrative purposes only and forms no part of the claimed design.

[56] References Cited

U.S. PATENT DOCUMENTS

D. 235,639 7/1975 Cohen D6/328 X
D. 244,197 5/1977 Ostroll D6/328 X
3,024,953 3/1962 O'Keefe 40/322 X
3,949,914 4/1976 Ostroll 40/322 X
4,115,940 9/1978 Phillips 40/322

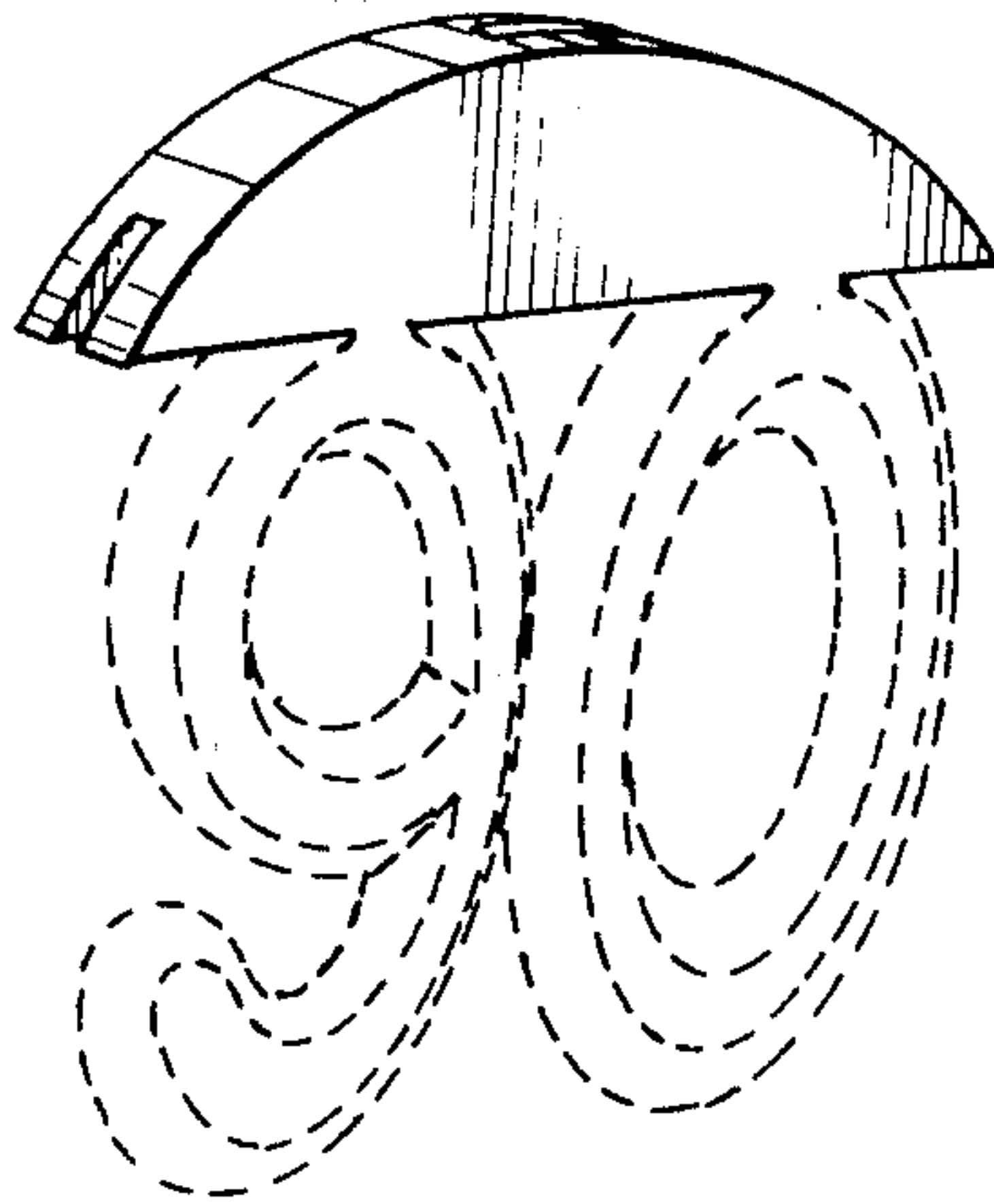


FIG. 1

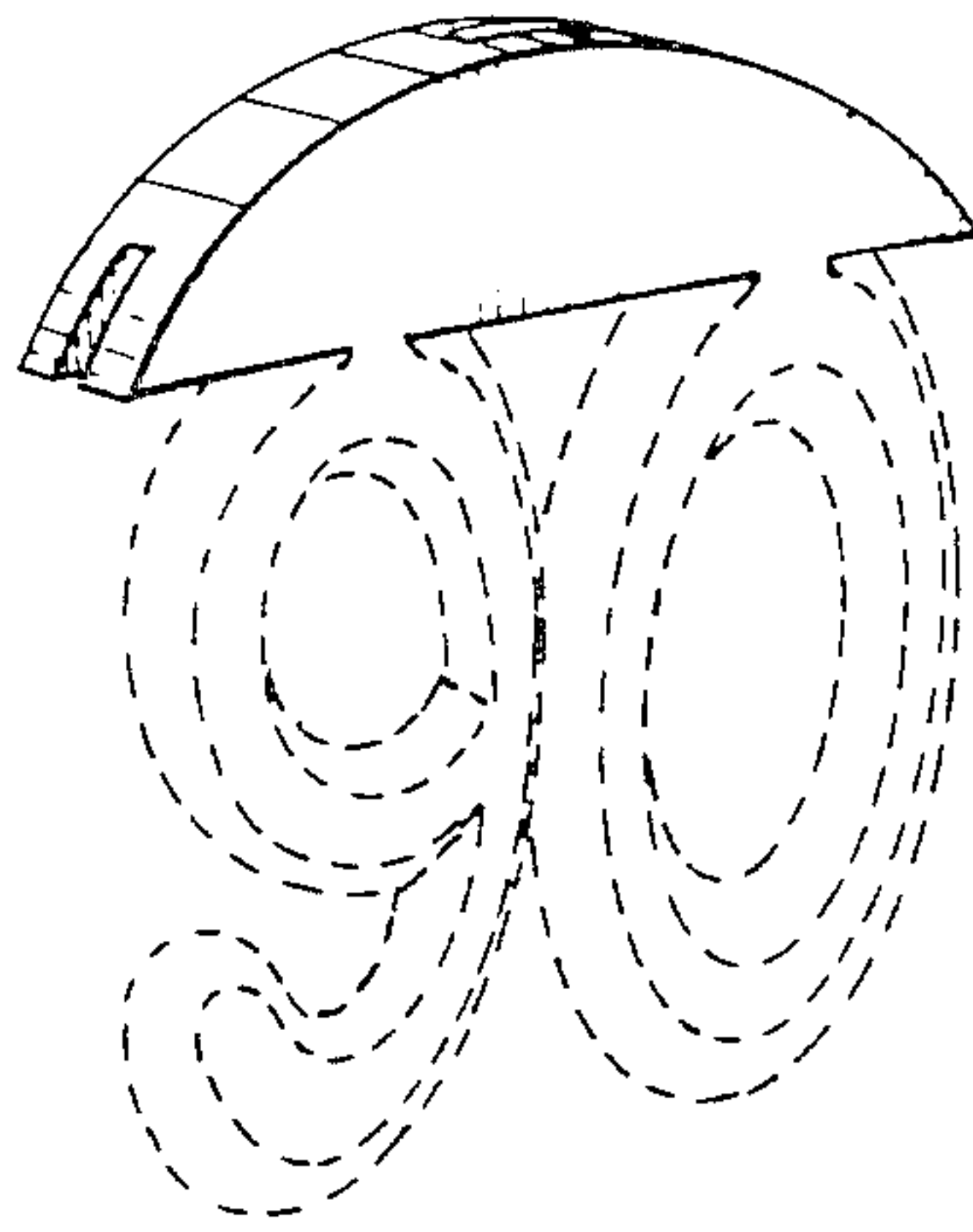


FIG. 2

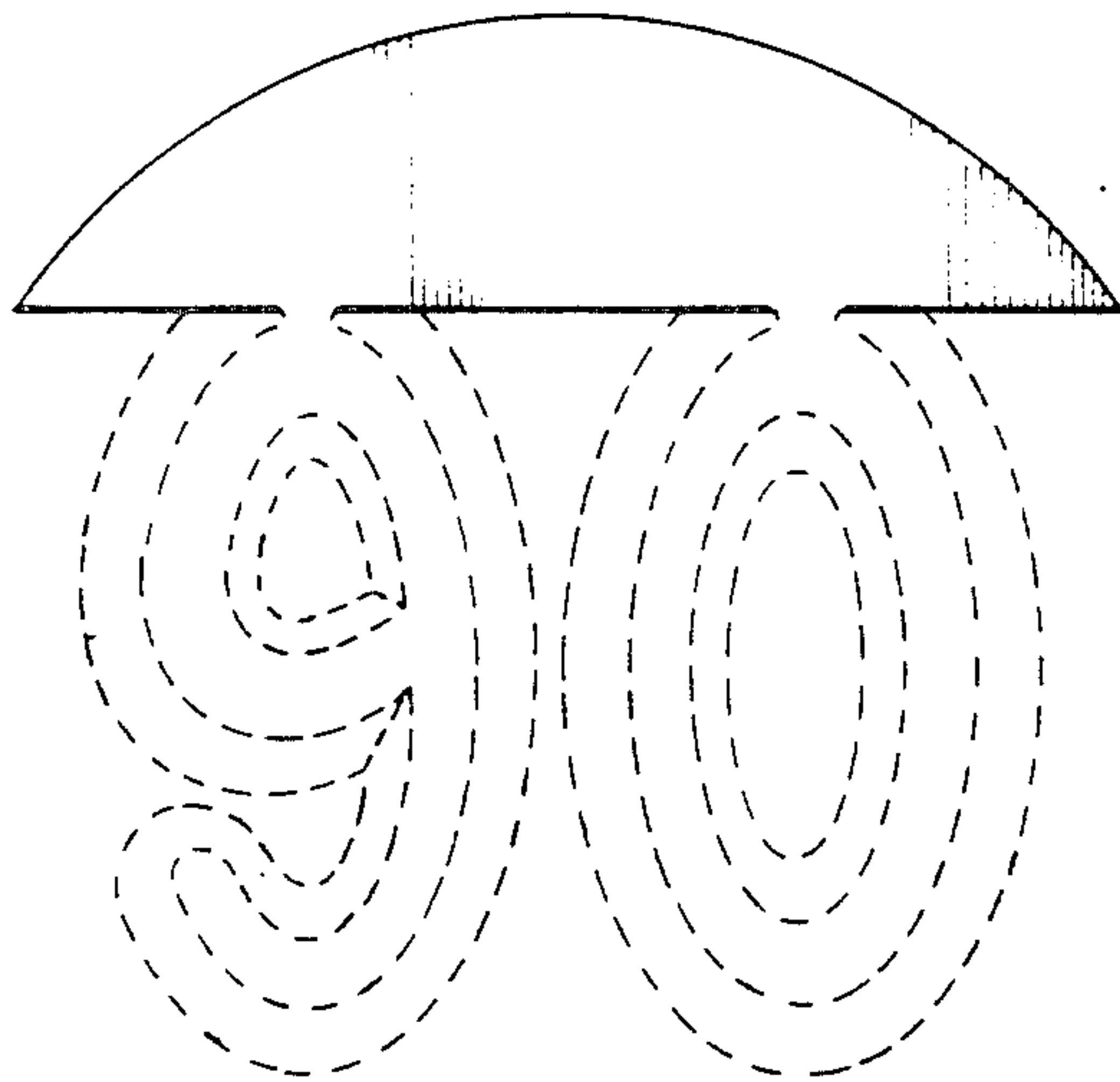


FIG. 3

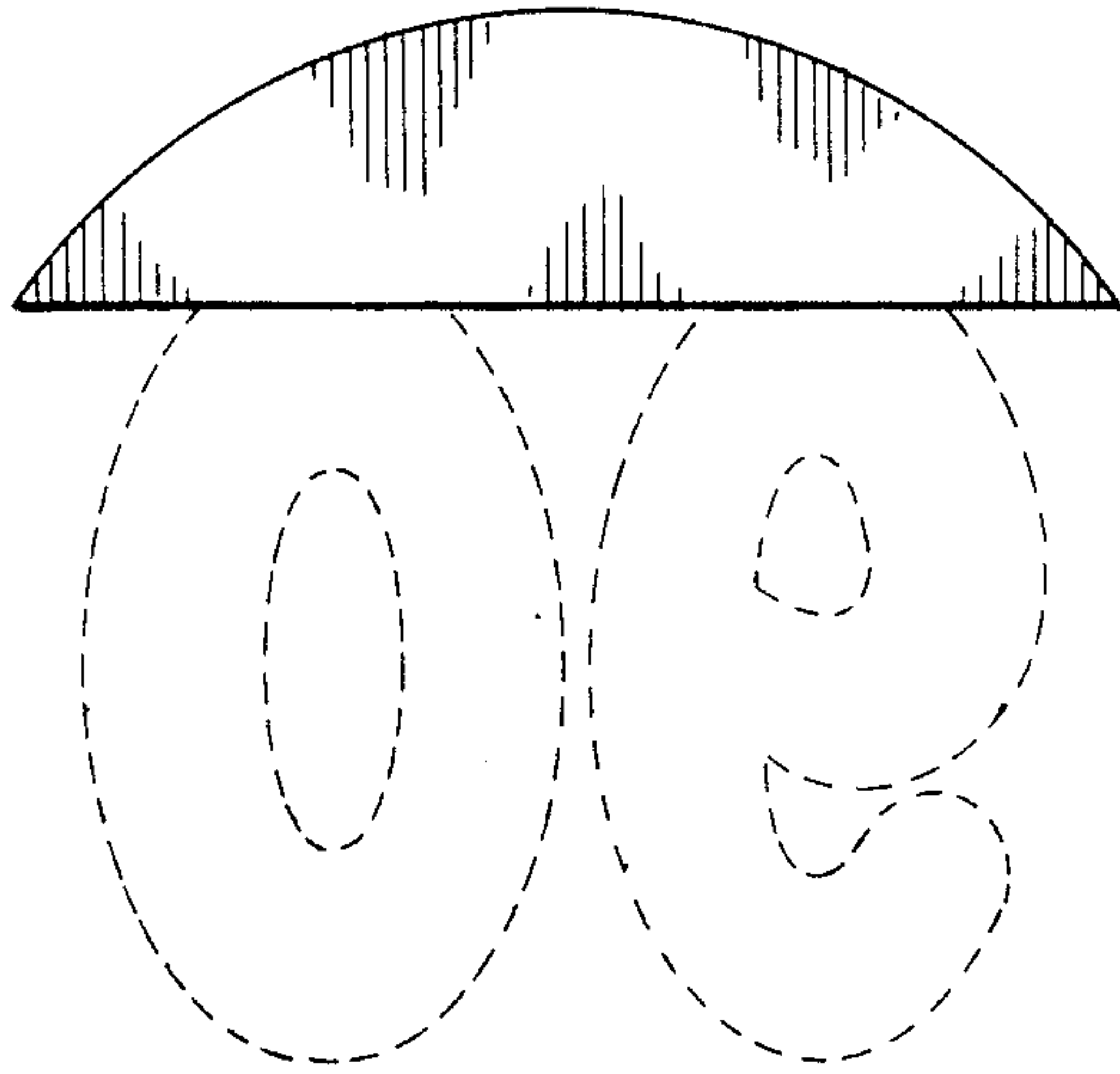


FIG. 4

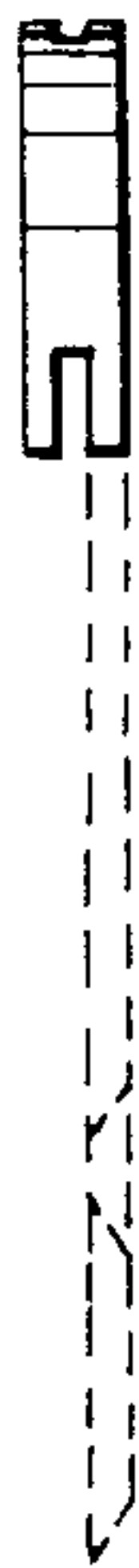


FIG. 5

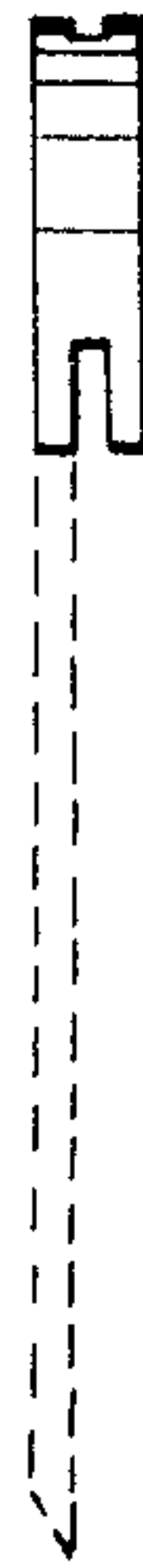


FIG. 6

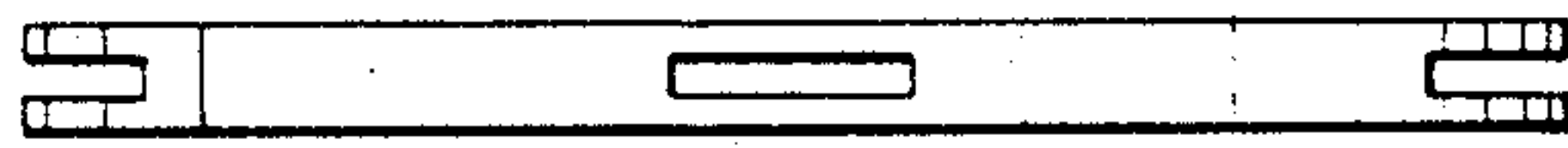


FIG. 7

