

[54] COMBINED ELECTRIC SHAVER AND COVER

[75] Inventors: Petrus J. J. Nagelkerke, Eindhoven; Klaas T. Oord, Drachten, both of Netherlands

[73] Assignee: U.S. Philips Corporation, New York, N.Y.

[\*\*] Term: 14 Years

[21] Appl. No.: 552,995

[22] Filed: Nov. 17, 1983

[30] Foreign Application Priority Data

May 27, 1983 [XB] Benelux ..... 57903-00
[52] U.S. Cl. .... D28/50
[58] Field of Search ..... D28/44-54; 30/32, 34 R, 34.1, 41.9, 43, 42, 43.3-43.92, 44, 45, 90

[56] References Cited

U.S. PATENT DOCUMENTS

D. 243,480 2/1977 Krapowicz ..... D28/49
D. 246,731 12/1977 Alister ..... D28/50

OTHER PUBLICATIONS

Merchandising, 1/1978, p. 127-Rotary Shavers.

Primary Examiner—Louis S. Zarfes
Attorney, Agent, or Firm—Rolf E. Schneider

[57] CLAIM

The ornamental design for a combined electric shaver and cover, as shown and described.

DESCRIPTION

FIG. 1 is a front, top and left-side perspective view of a combined electric shaver and cover showing our new design with the cover in place; FIG. 2 is a right-side elevational view thereof, the left-side elevational view being a mirror image; FIG. 3 is a rear elevational view thereof; FIG. 4 is a front elevational view thereof; FIG. 5 is a top plan view thereof; FIG. 6 is a bottom plan view thereof; FIG. 7 is a front elevational view of the cover; FIG. 8 is an exploded perspective view similar to FIG. 1 with the cover separated from the shaver, the shaver being shown from the rear, left side, and top; FIG. 9 is a rear elevational view of the shaver; FIG. 10 is a left-side elevational view of the shaver, the right-side elevational view being a mirror image; FIG. 11 is a front elevational view of the shaver; FIG. 12 is a bottom plan view of the shaver; FIG. 13 is a top plan view of the shaver; FIG. 14 is a left-side elevational view similar to FIG. 10 with the socket rotated downwardly; FIG. 15 is a front elevational view similar to FIG. 11 with the socket rotated downwardly; and FIG. 16 is a bottom plan view similar to FIG. 12 with the socket rotated downwardly.

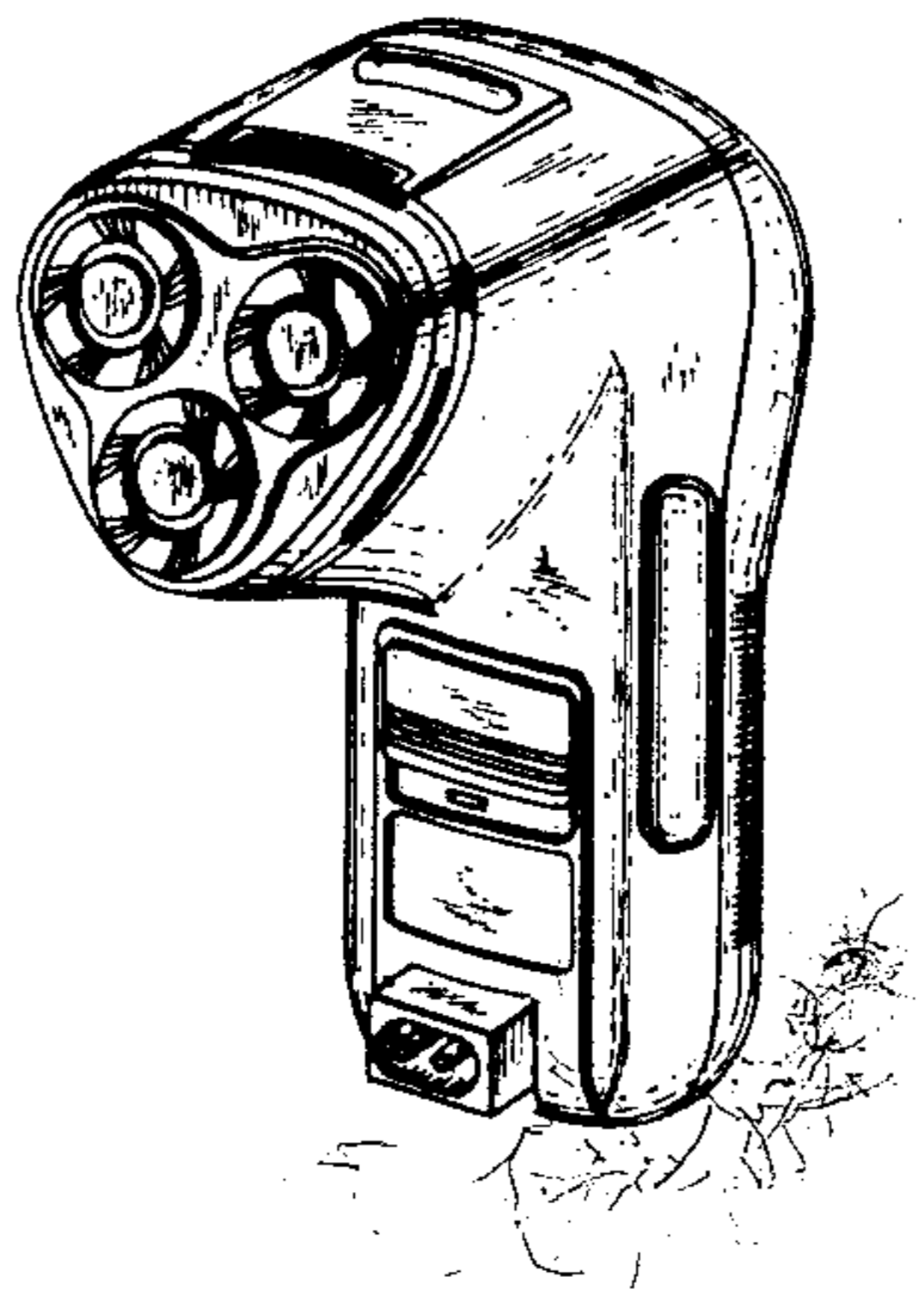
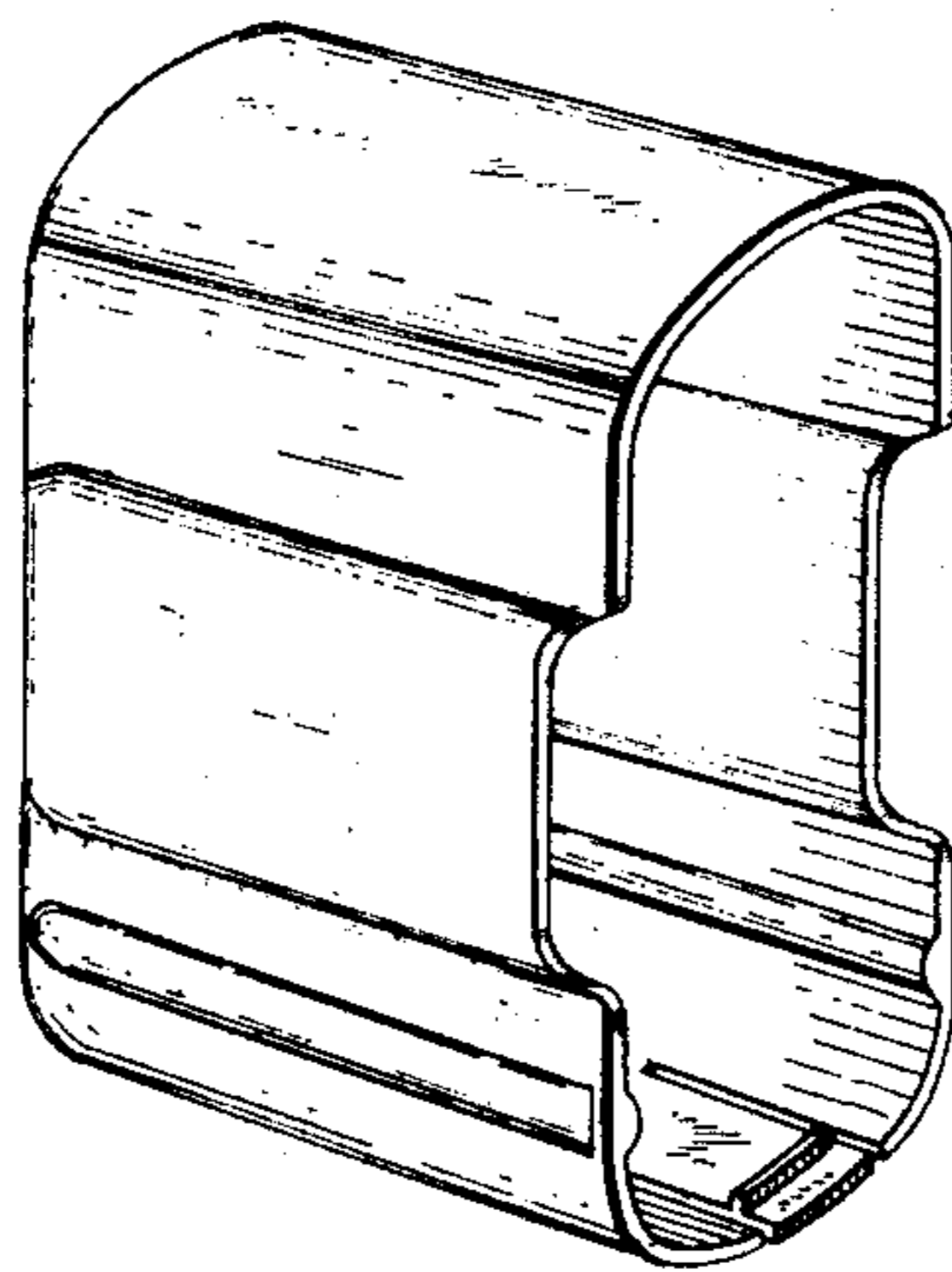


FIG. 1.

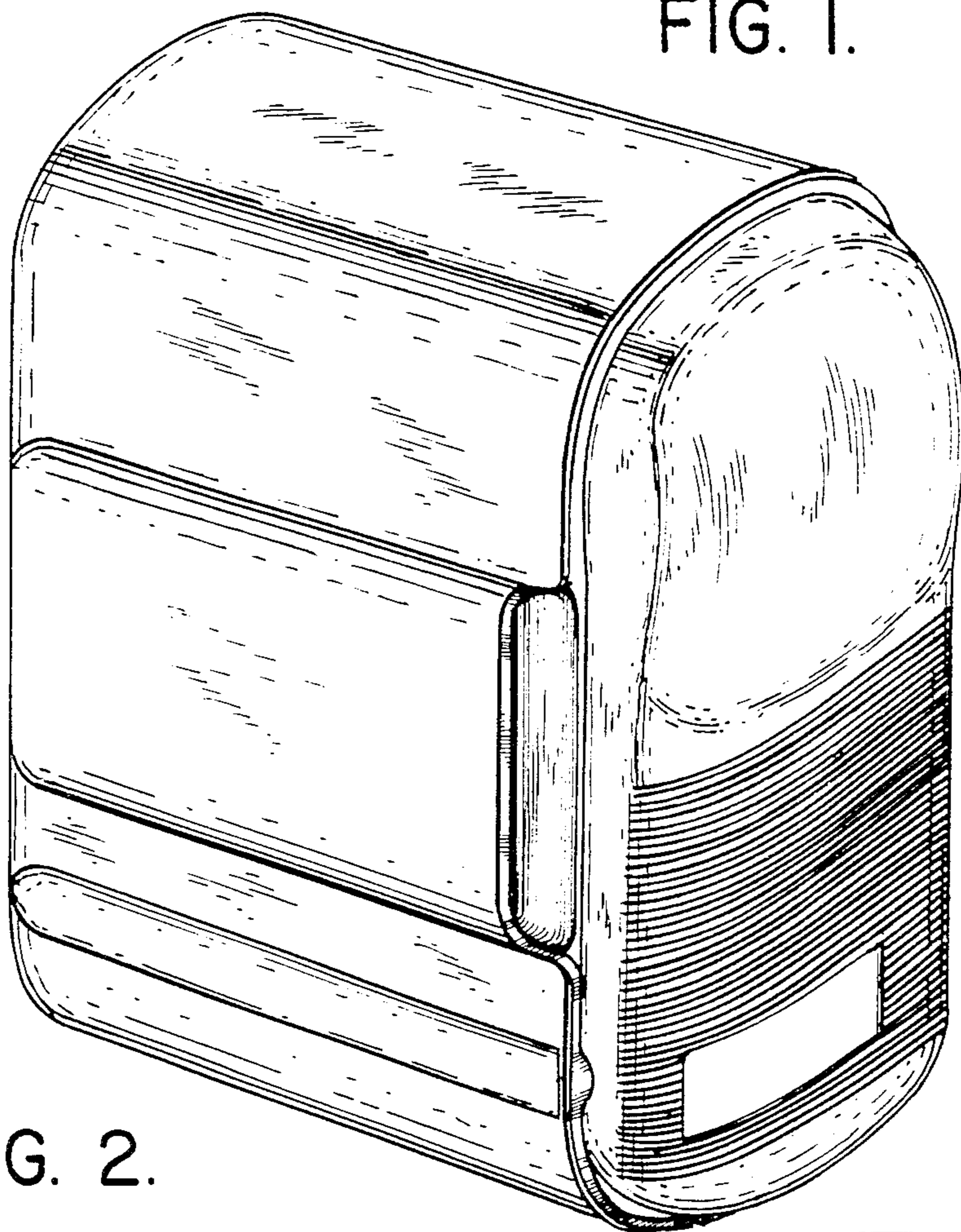


FIG. 2.

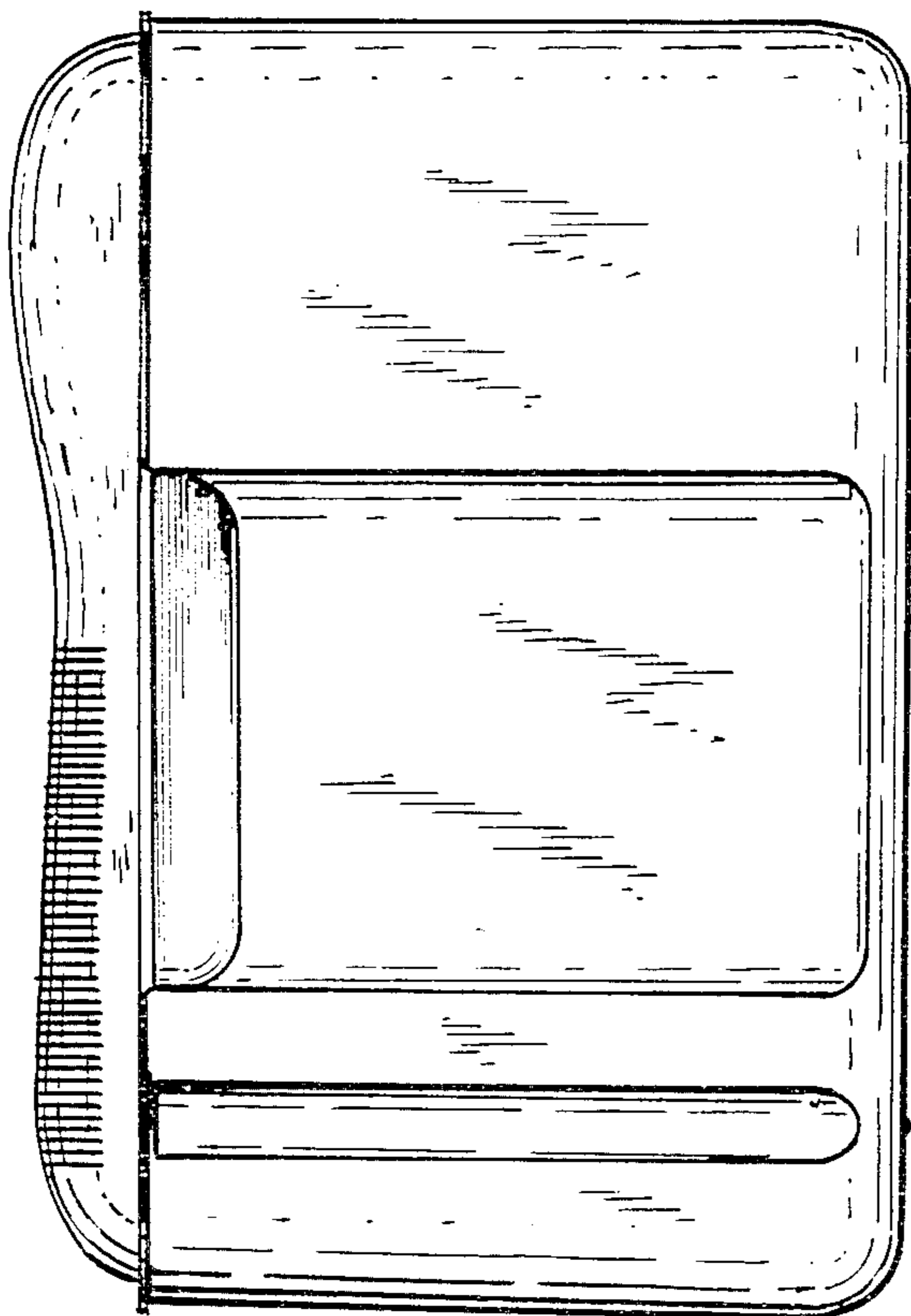


FIG. 3.

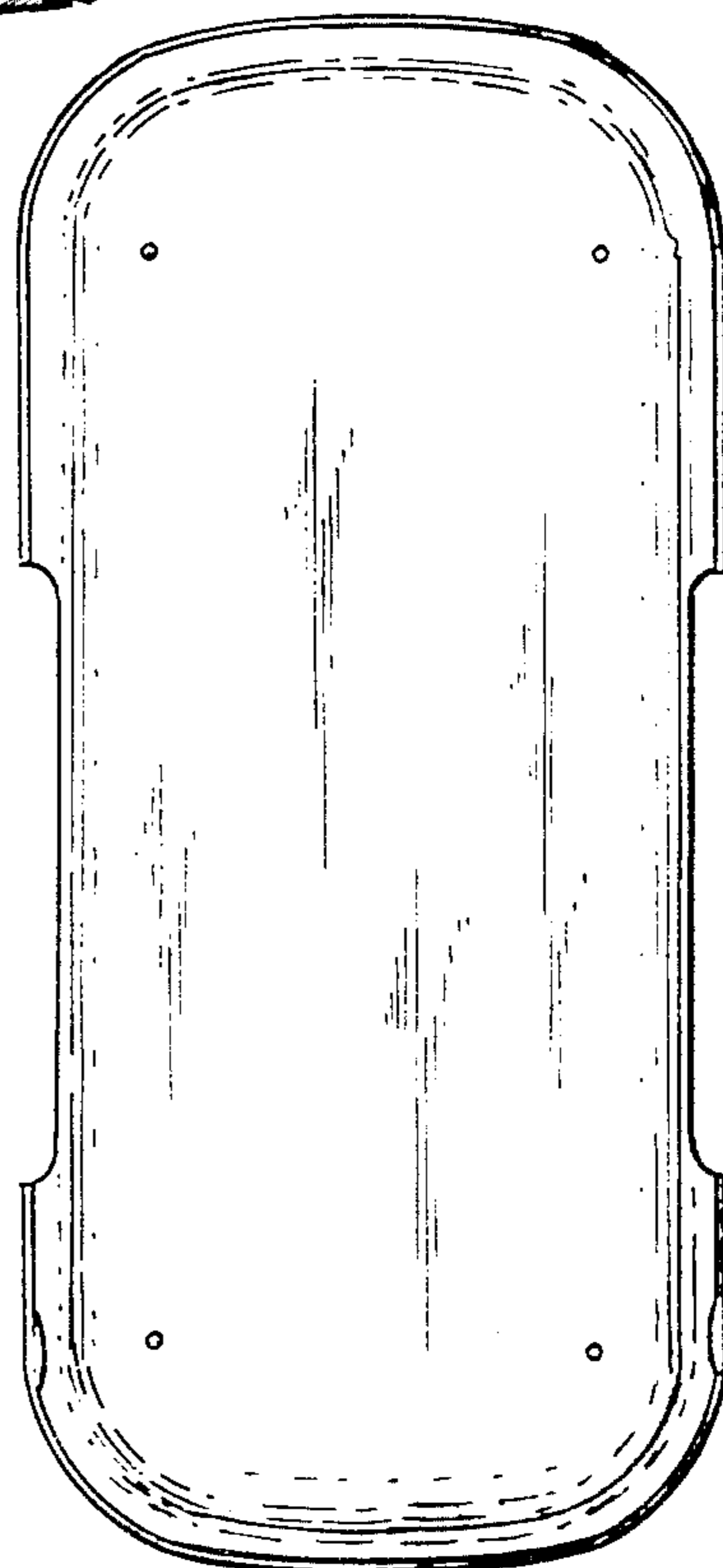


FIG. 4.

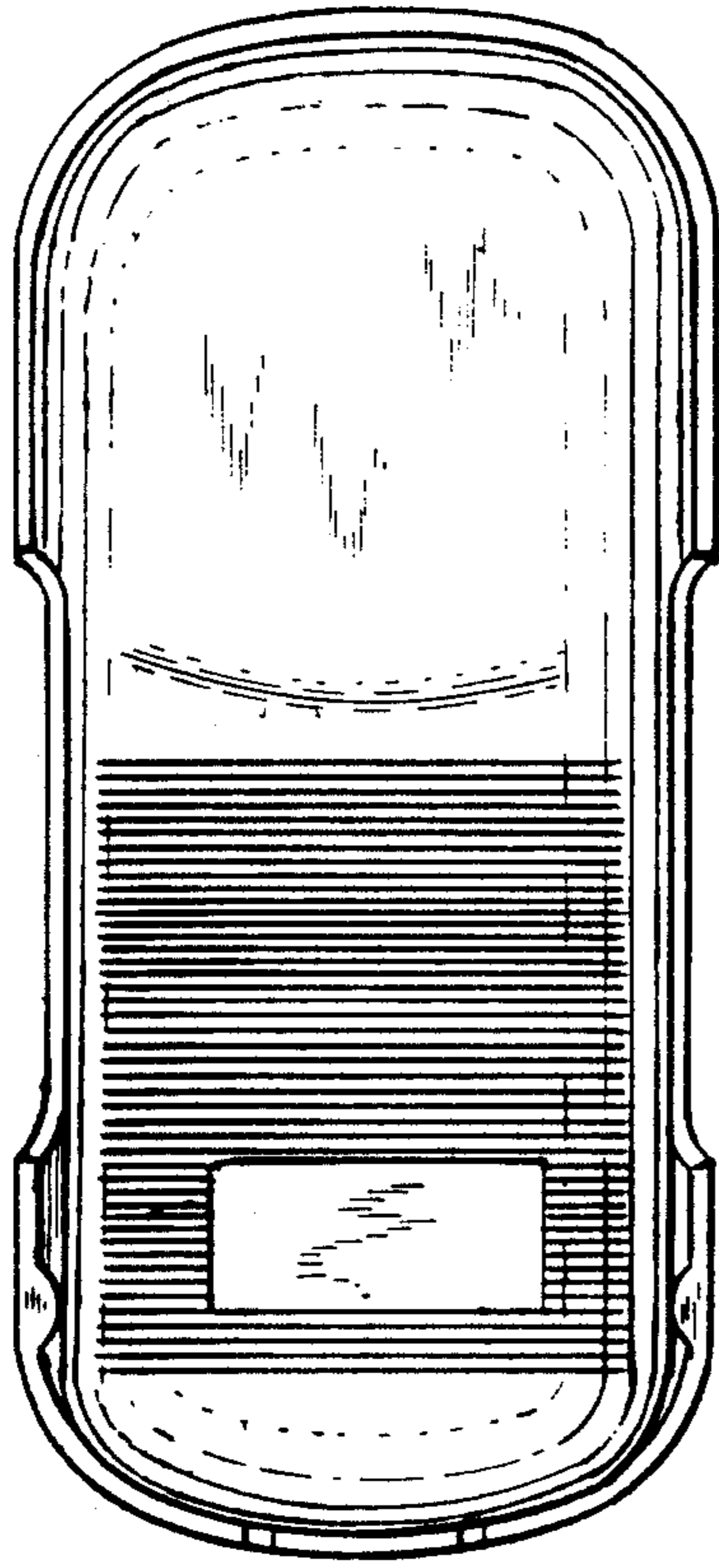


FIG. 7.

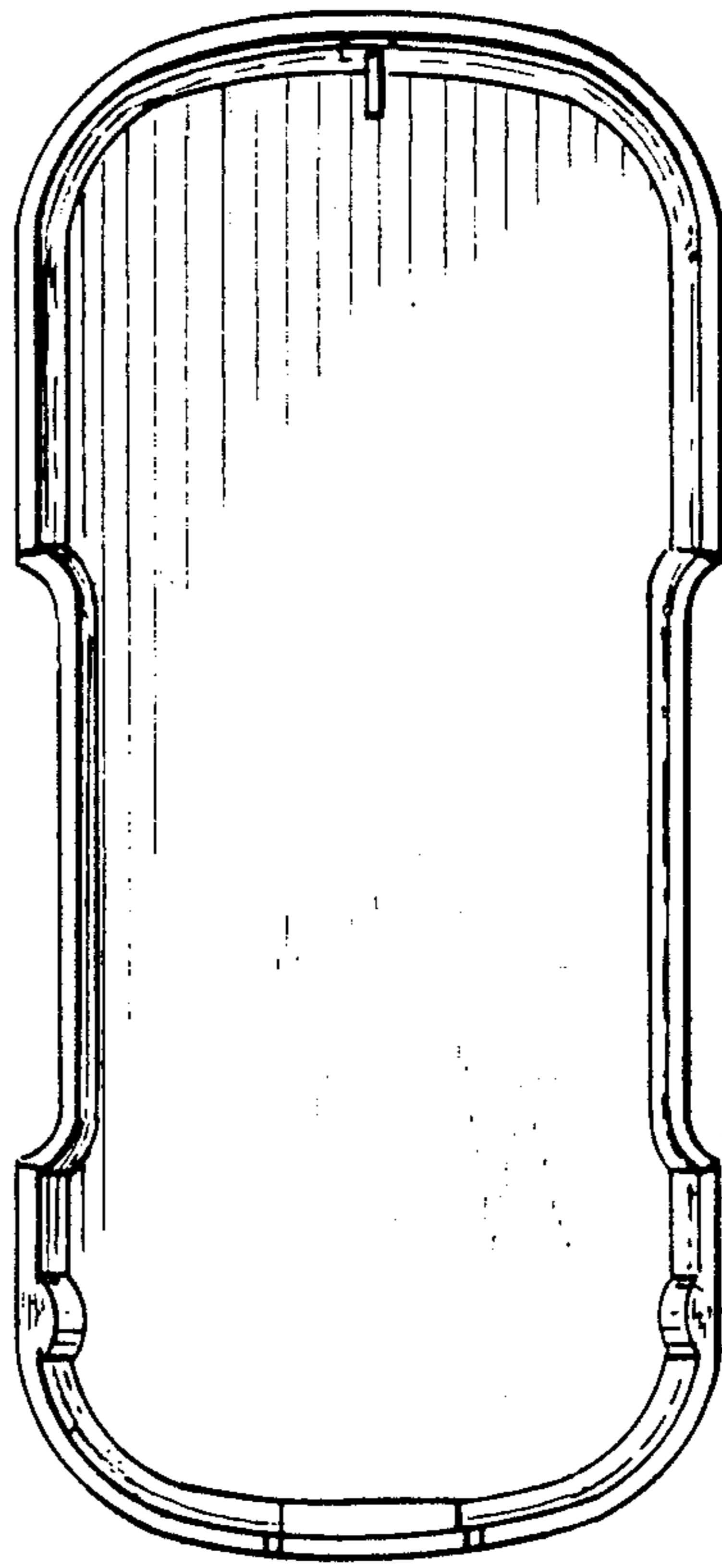


FIG. 5.

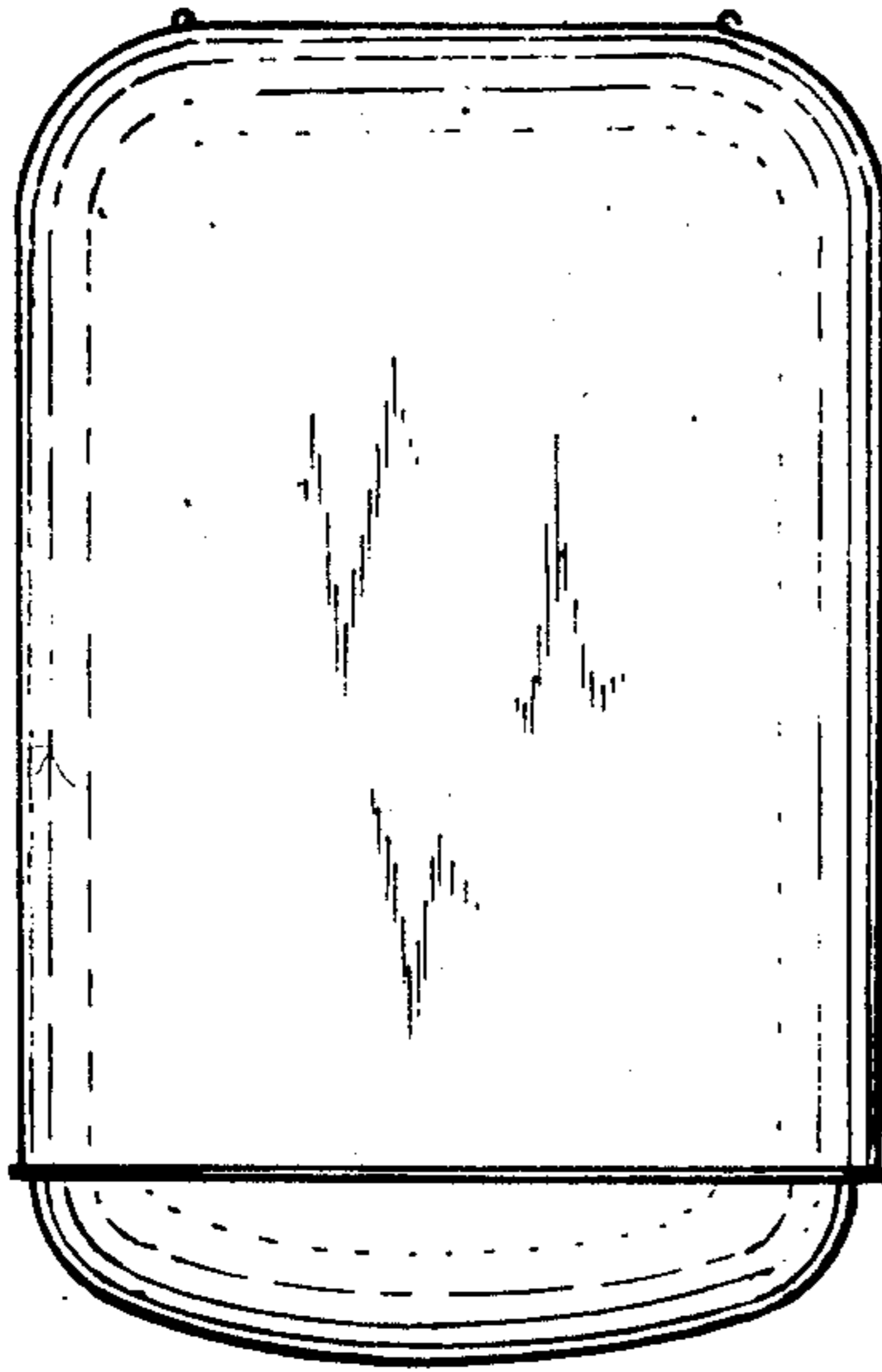


FIG. 6.

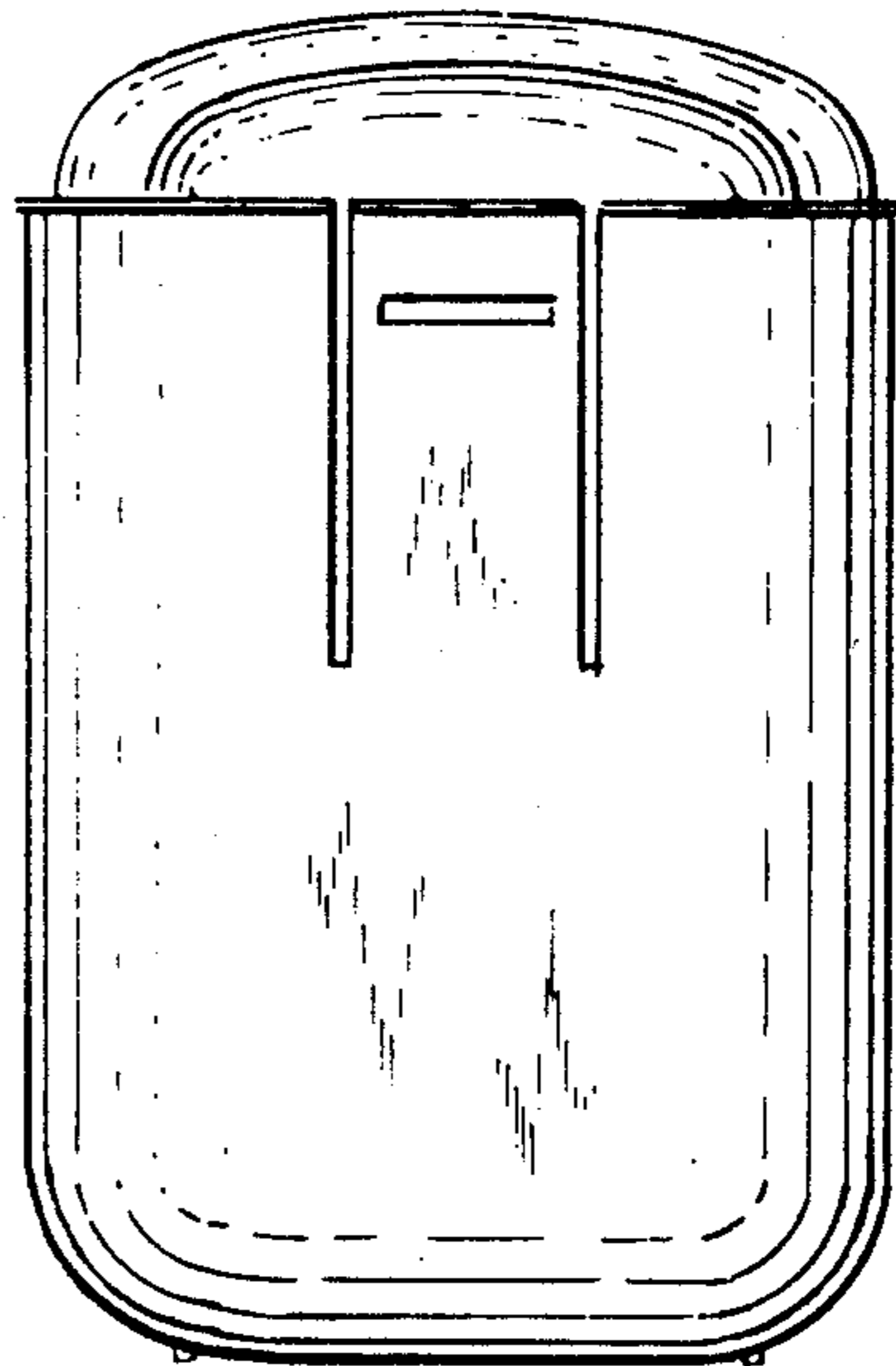


FIG. 8.

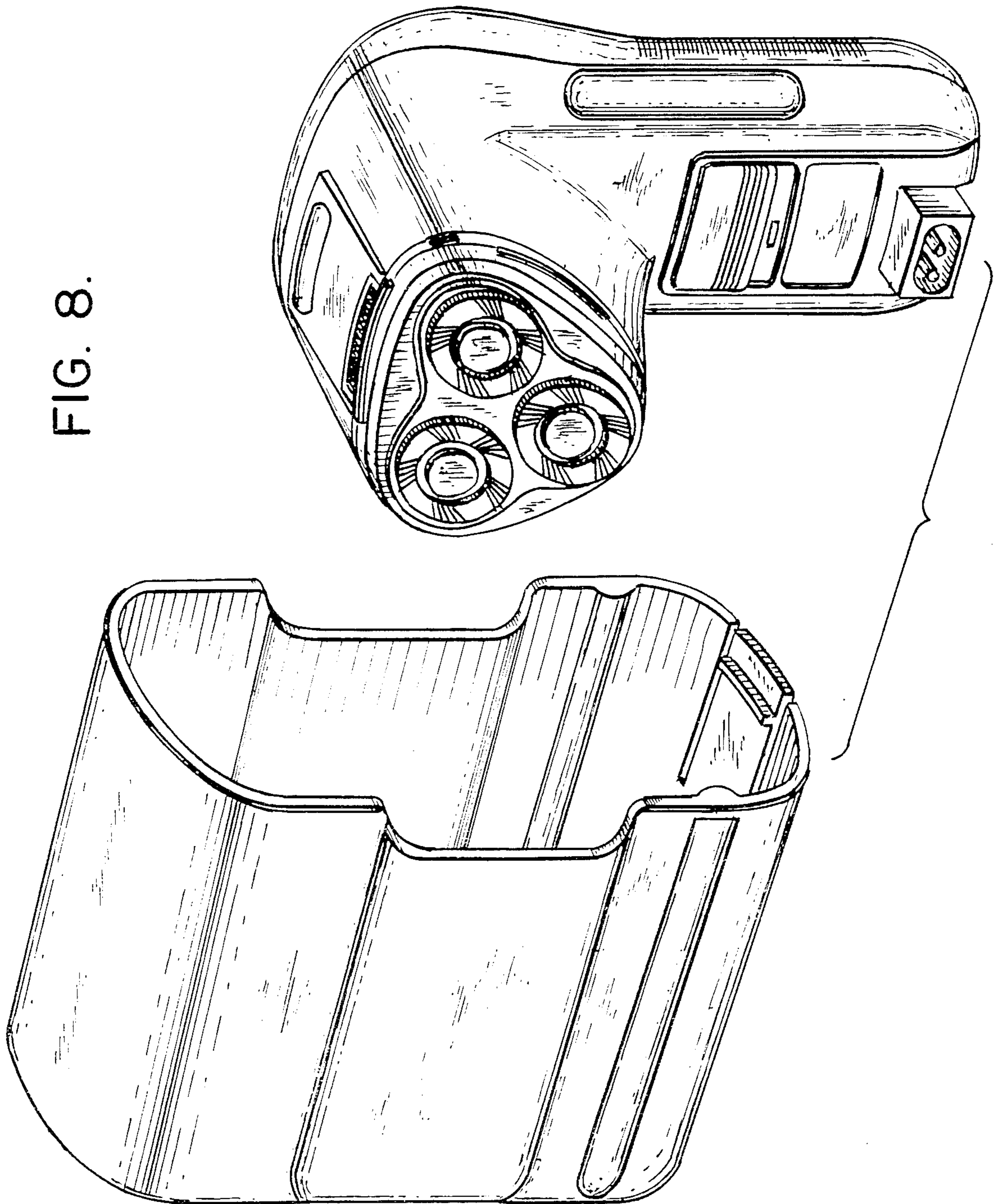


FIG. 9.

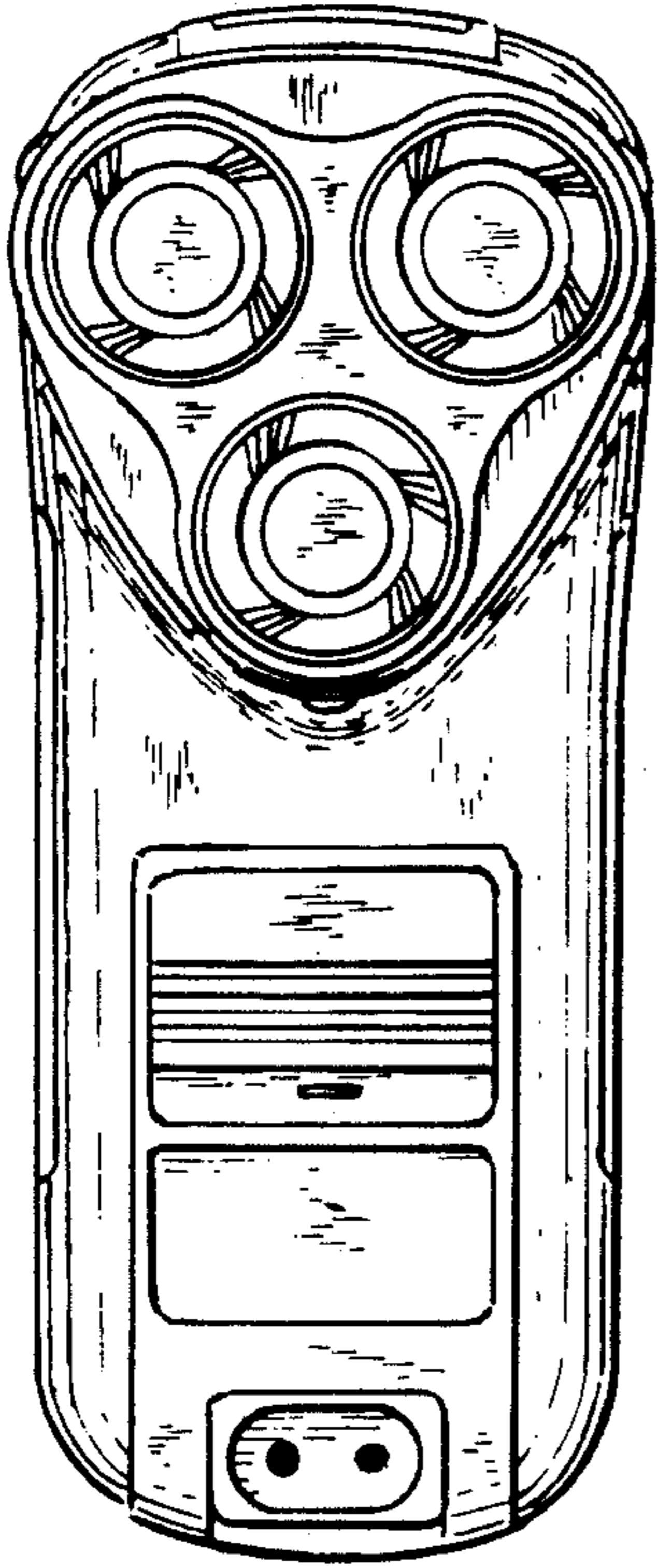


FIG. 10.

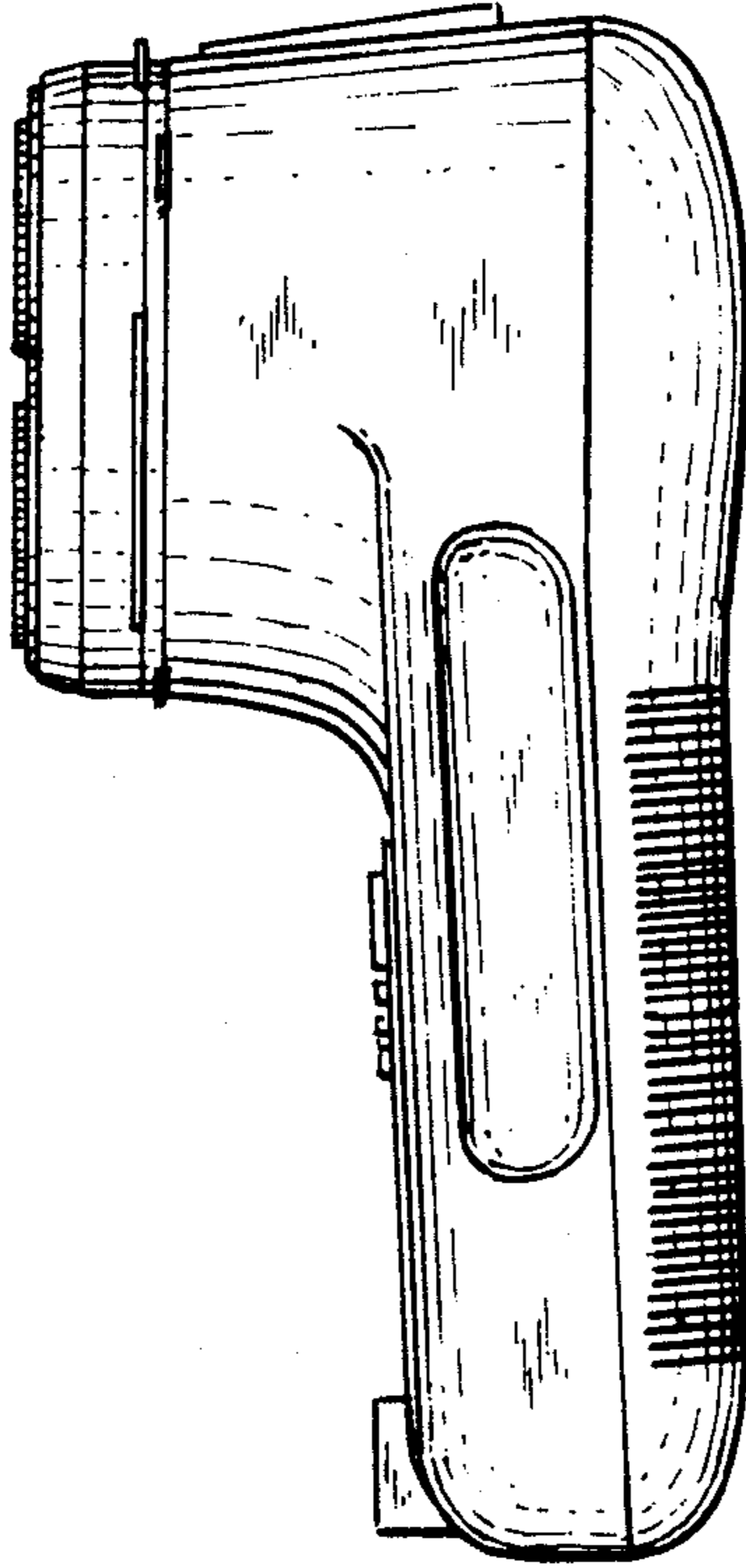


FIG. 11.

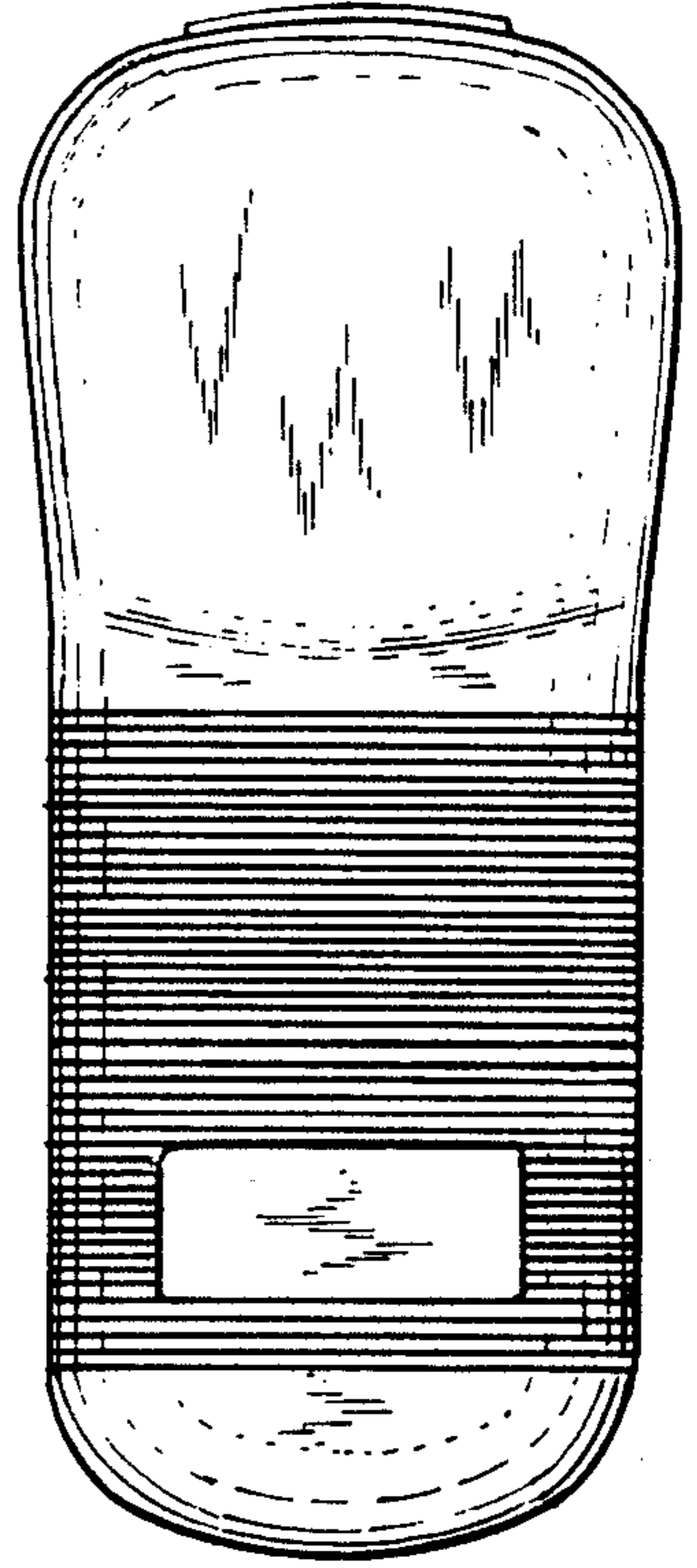


FIG. 12.

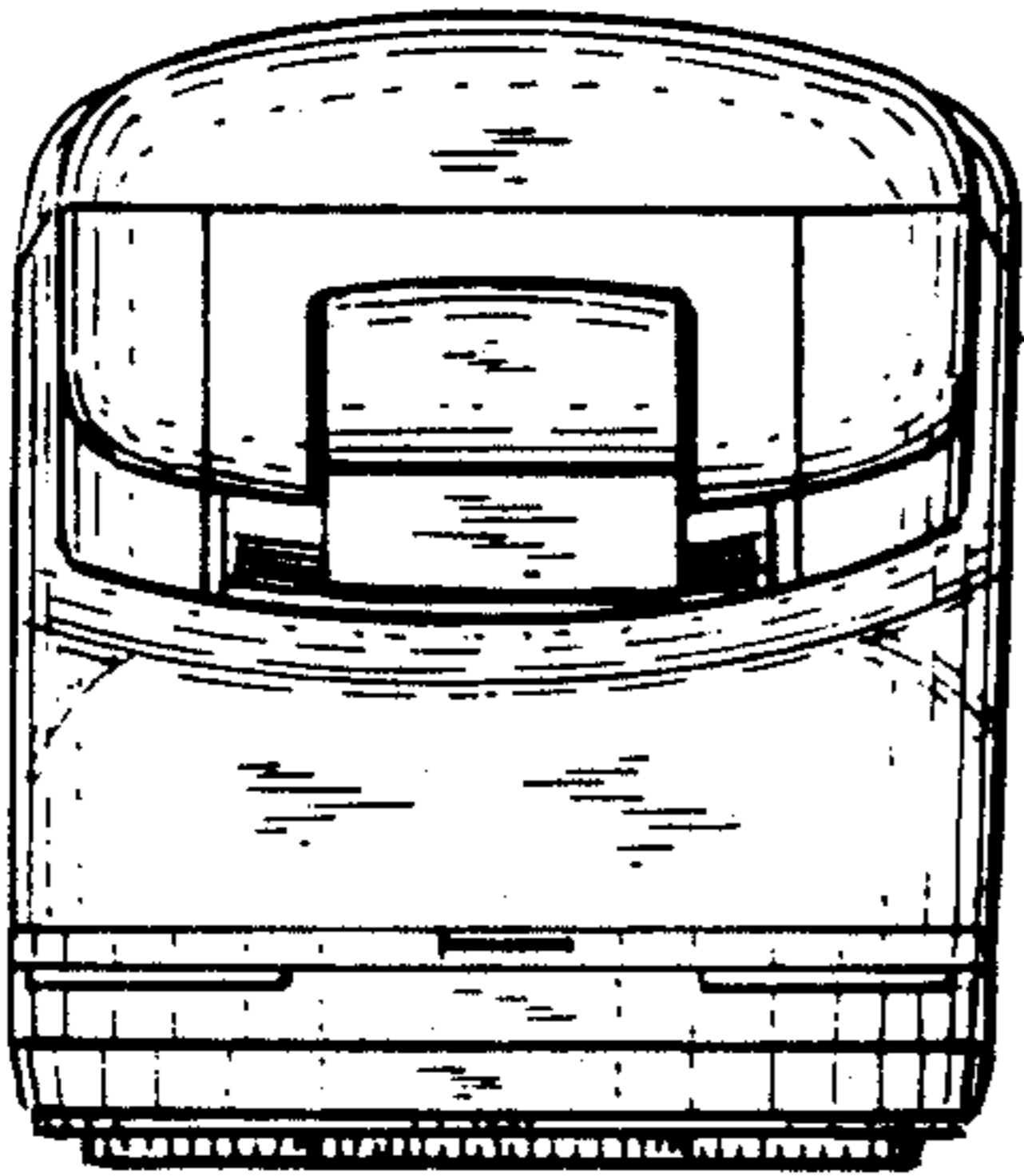


FIG. 14.

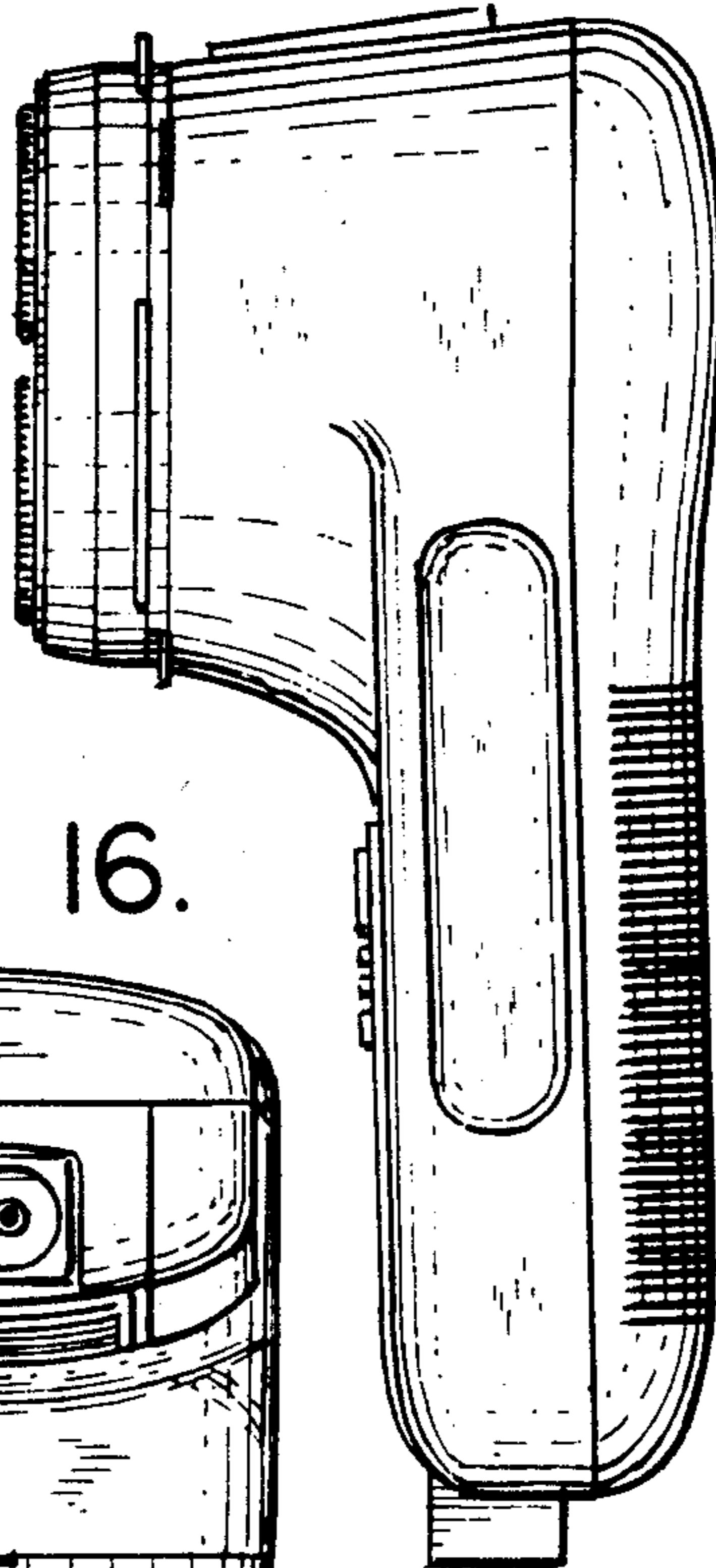


FIG. 15.

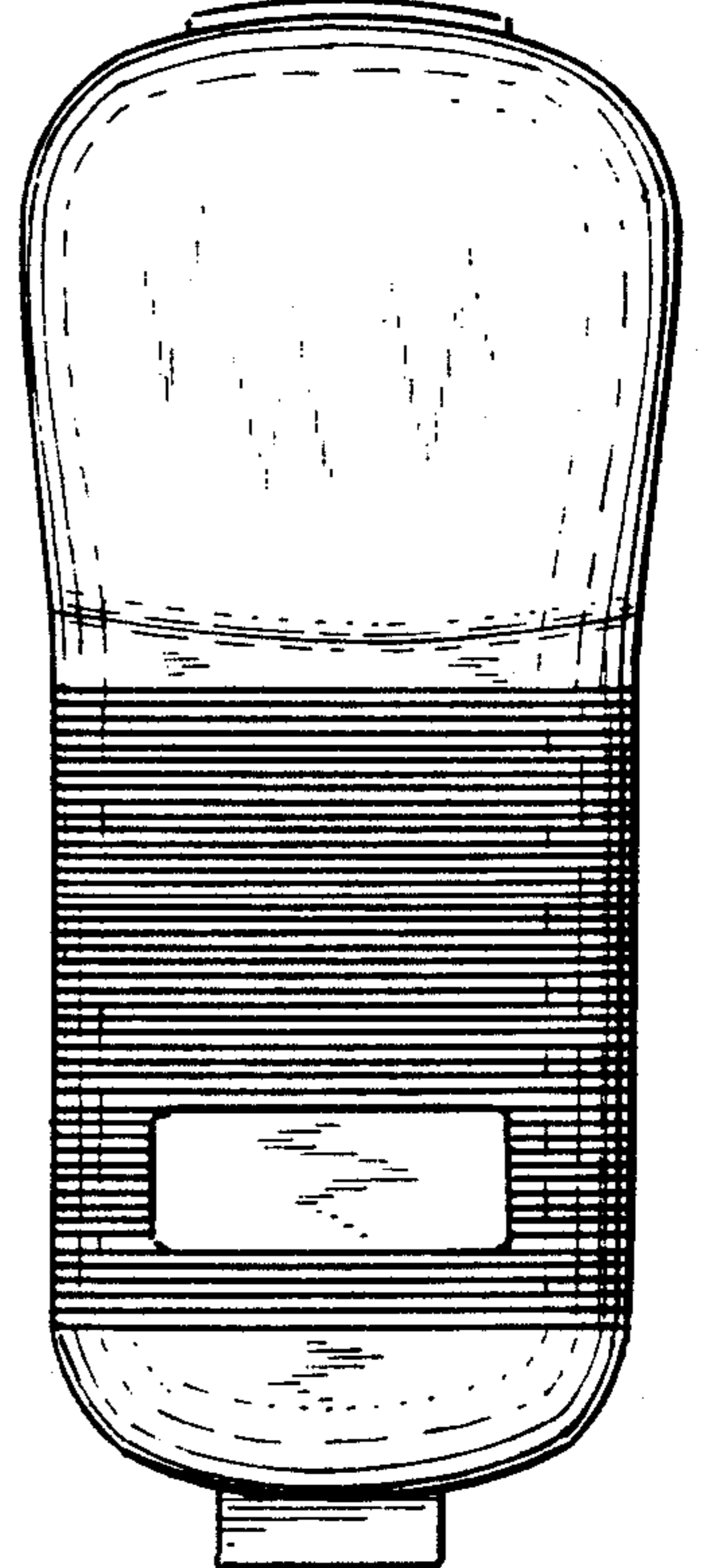


FIG. 13.

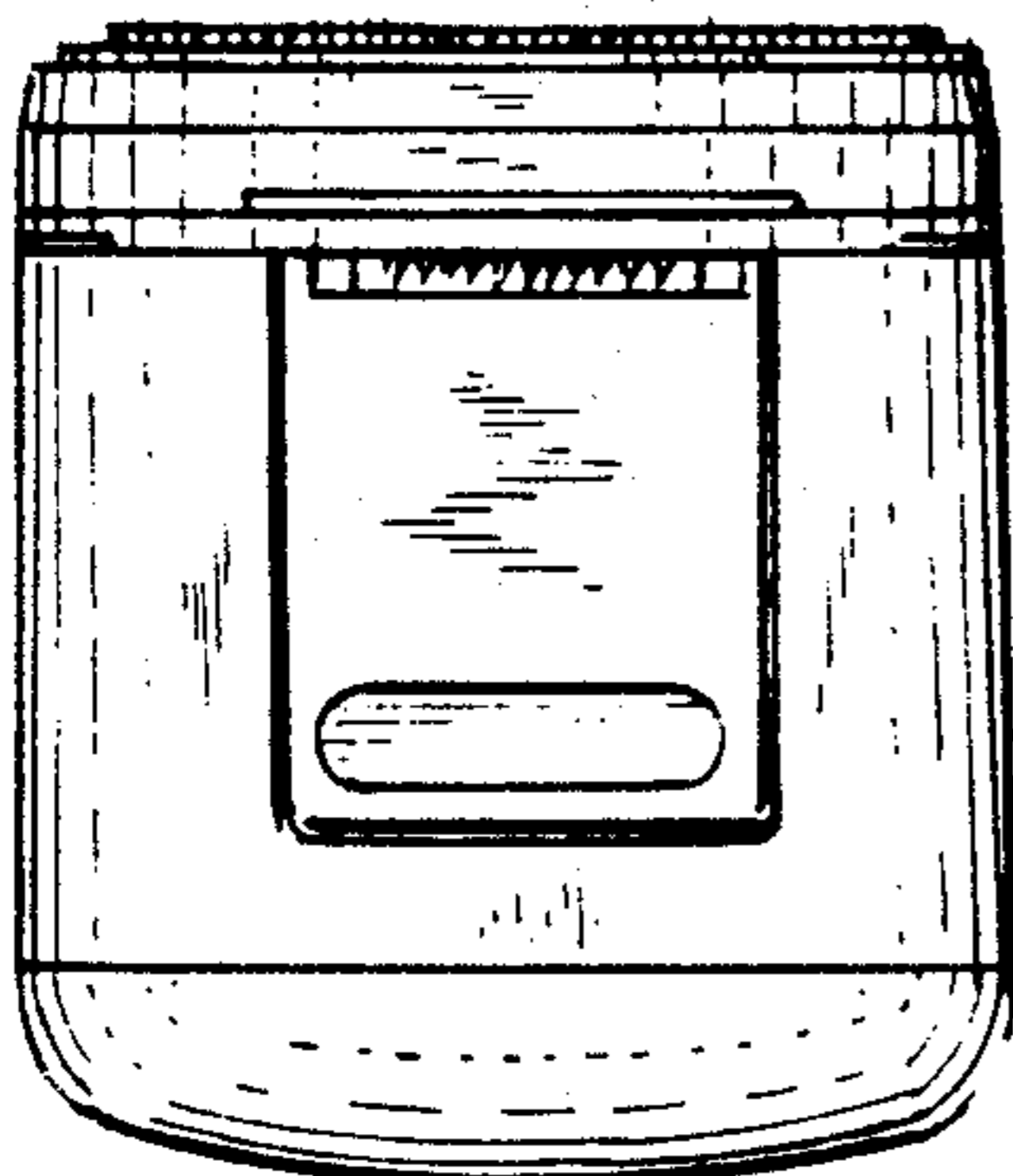


FIG. 16.

