

[54] COMBINED HAIR PICK AND LIFT

[76] Inventor: Franklin D. Harvey, 22 E. Broad St., Richmond, Va. 23219

[\*\*] Term: 14 Years

[21] Appl. No.: 629,401

[22] Filed: Jul. 10, 1984

[52] U.S. Cl. .... D28/25; D28/31

[58] Field of Search ..... D28/10, 21-34; D30/40; 132/11 R, 122, 124, 126, 139, 141, 142, 148-152, 159-163, DIG. 1

[56] References Cited

U.S. PATENT DOCUMENTS

- D. 51,625 12/1917 Alexis ..... D28/31 X
- 3,409,029 11/1968 Kumpa ..... D28/28 X

Primary Examiner—Louis S. Zarfes  
Attorney, Agent, or Firm—Dennison, Meserole, Pollack & Scheiner

[57] CLAIM

The ornamental design for a combined hair pick and lift, as shown.

DESCRIPTION

FIG. 1 is a front perspective view of a combined hair pick and lift showing my new design;  
 FIG. 2 is a top plan view, the opposite side being a mirror image of this figure;  
 FIG. 3 is a side view taken from the bottom of FIG. 2;  
 FIG. 4 is an end elevational view looking from the left in FIG. 2; and  
 FIG. 5 is an end elevational view looking from the right in FIG. 2.

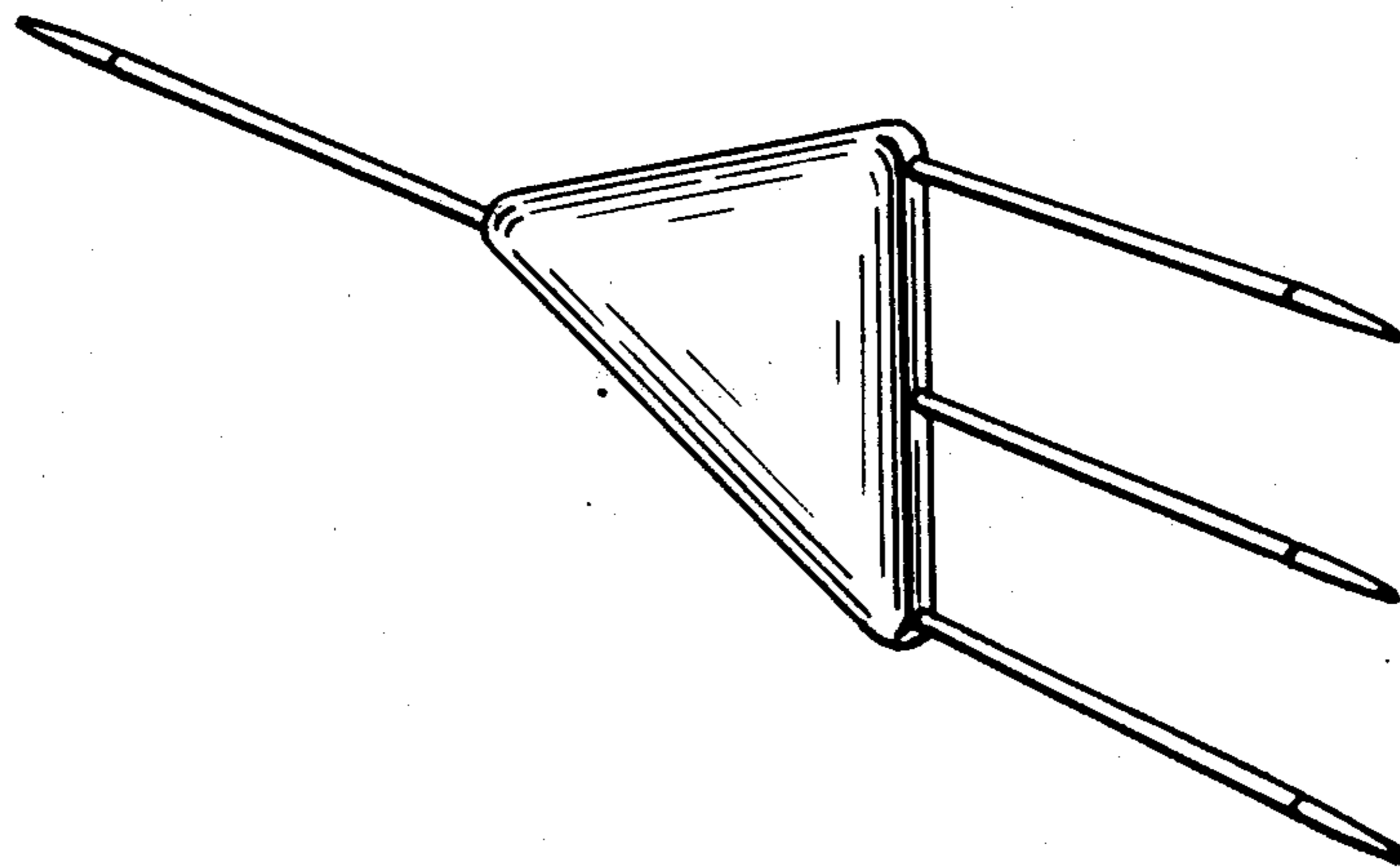


FIG. 1

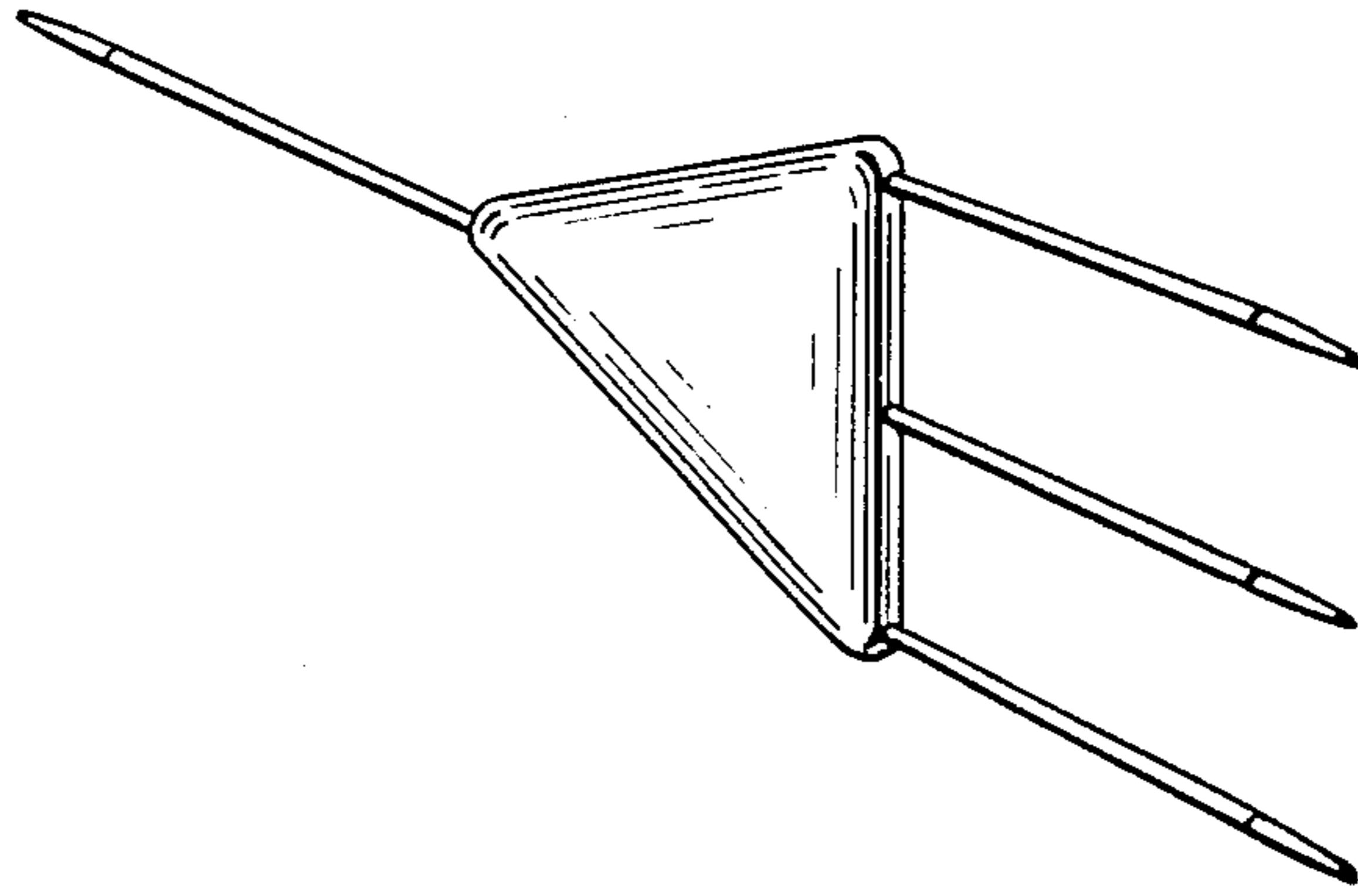


FIG. 2

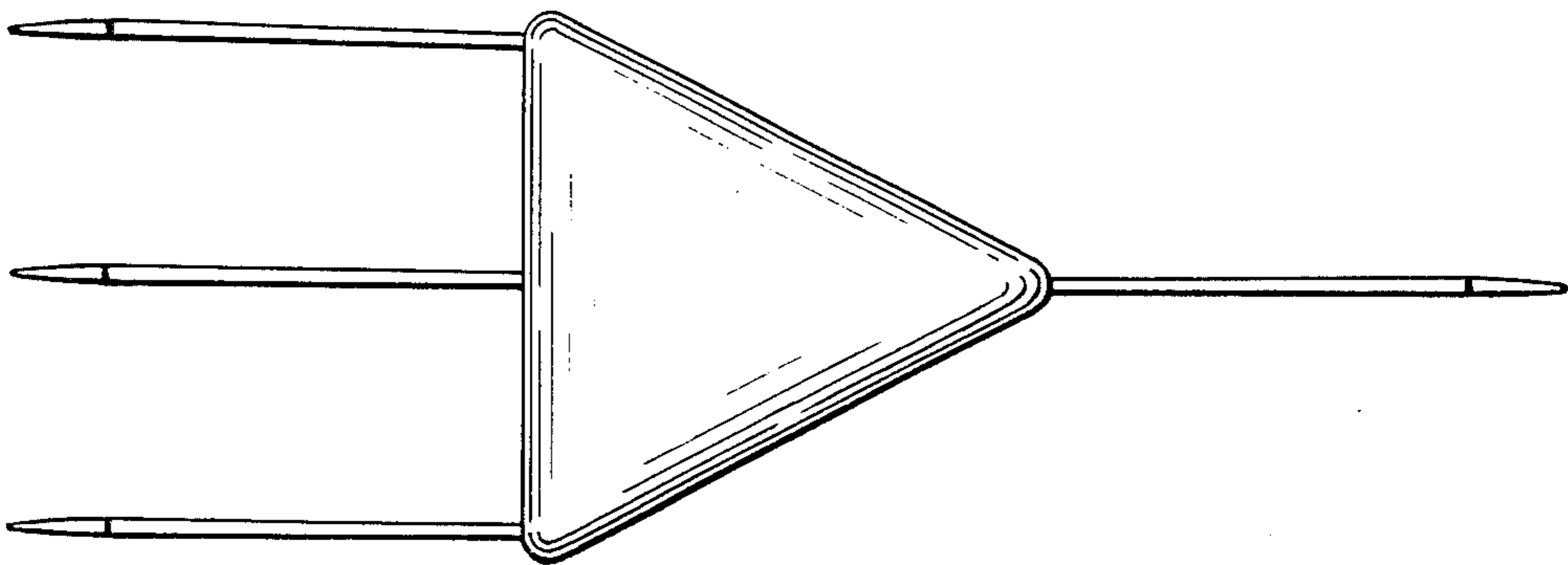


FIG. 3

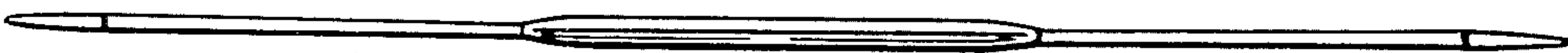


FIG. 4



FIG. 5

