

[54] SAFETY CAP FOR A GLASS LAMPSHADE,  
OR SIMILAR ARTICLE

1,674,446 6/1928 Nelson ..... 362/438  
2,866,087 12/1958 Rick ..... 362/433

[76] Inventors: William L. Kempton; Joyce K.  
Kempton, both of 15814 Fresno St.,  
Victorville, Calif. 92392

OTHER PUBLICATIONS

Lamp Journal, 5-1960, p. 18, Cap, #1860.

Primary Examiner—Susan J. Lucas  
Attorney, Agent, or Firm—John H. Crowe

[\*\*] Term: 14 Years

[21] Appl. No.: 518,065

[57] CLAIM

[22] Filed: Jul. 28, 1983

The ornamental design for a safety cap for a glass lampshade, or similar article, substantially as shown and described.

[52] U.S. Cl. .... D26/140

[58] Field of Search ..... D26/138, 140-155;  
362/407, 408, 433-442

DESCRIPTION

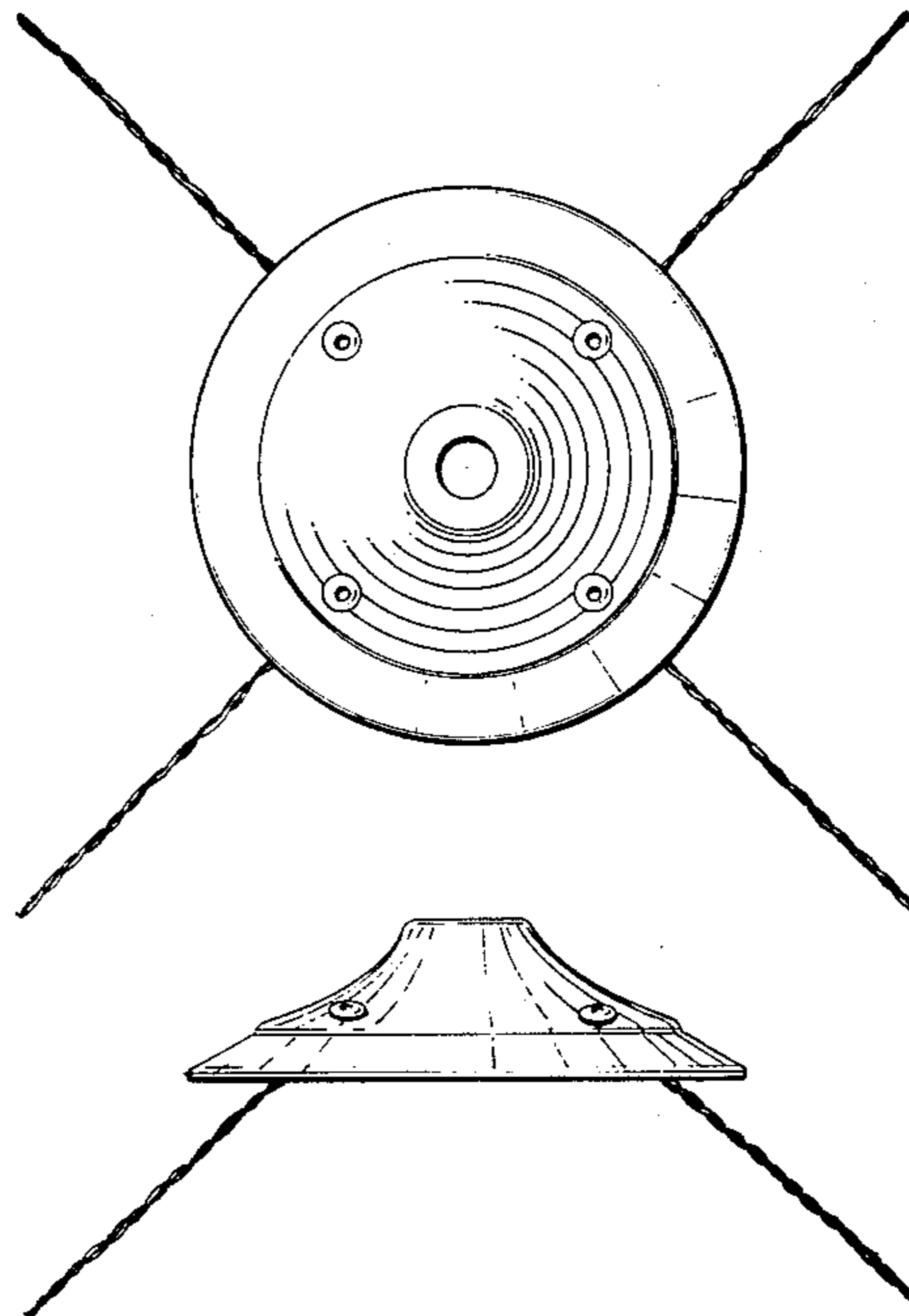
[56] References Cited

U.S. PATENT DOCUMENTS

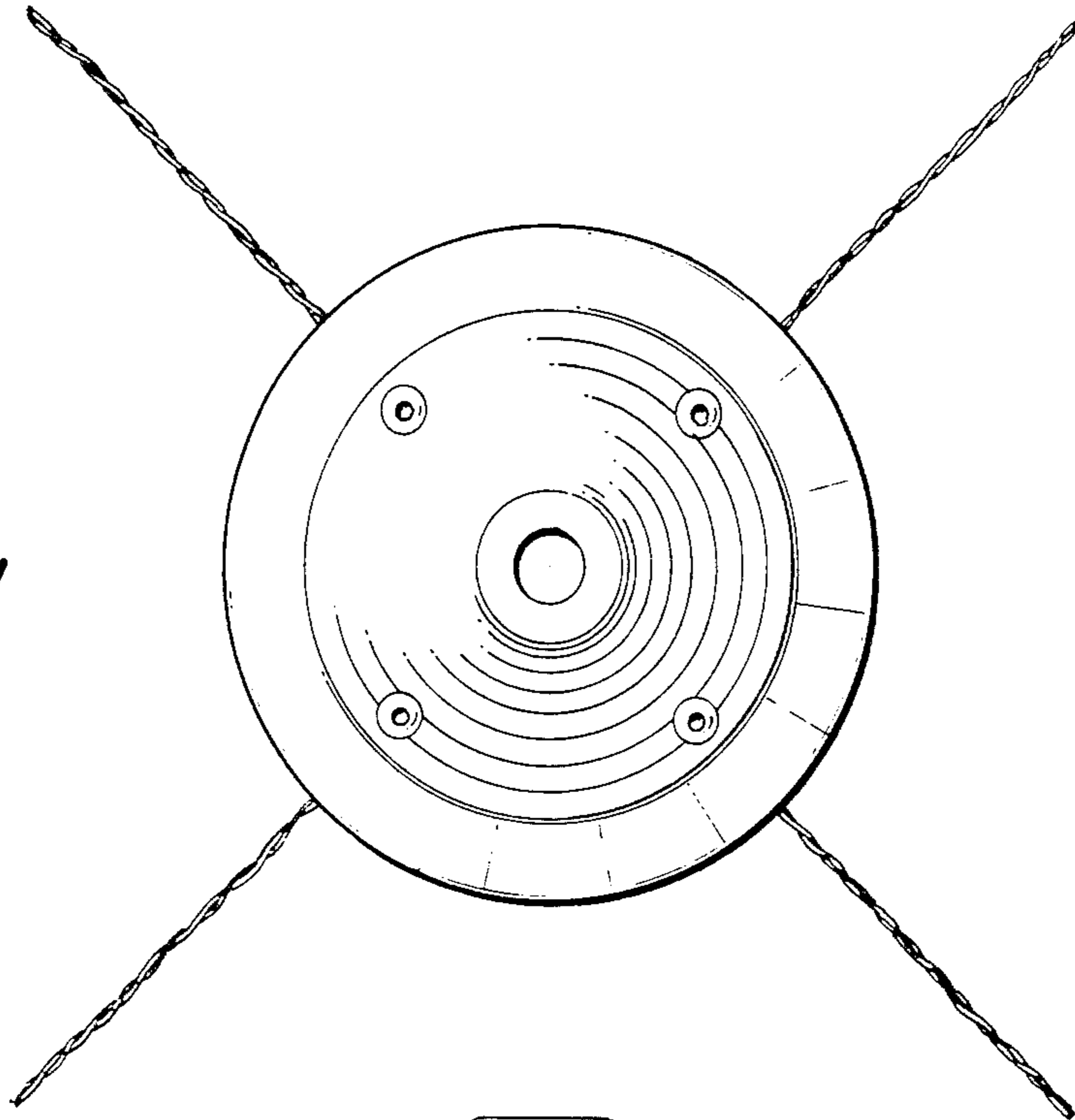
1,133,410	3/1915	Snyder	.....	362/433
1,225,049	5/1917	Northwood	.....	362/438
1,462,692	7/1923	L'Ecuyer et al.	.....	362/438
1,573,843	2/1926	Marks	.....	362/438
1,662,568	3/1928	Foell	.....	362/407 X

FIG. 1 is a top plan view of a safety cap for a glass lampshade, or similar article, showing our new design. FIG. 2 is a right side elevational view of FIG. 1, the left side elevational view, front elevational view and rear elevational view of FIG. 1 each being a substantial duplicate thereof.

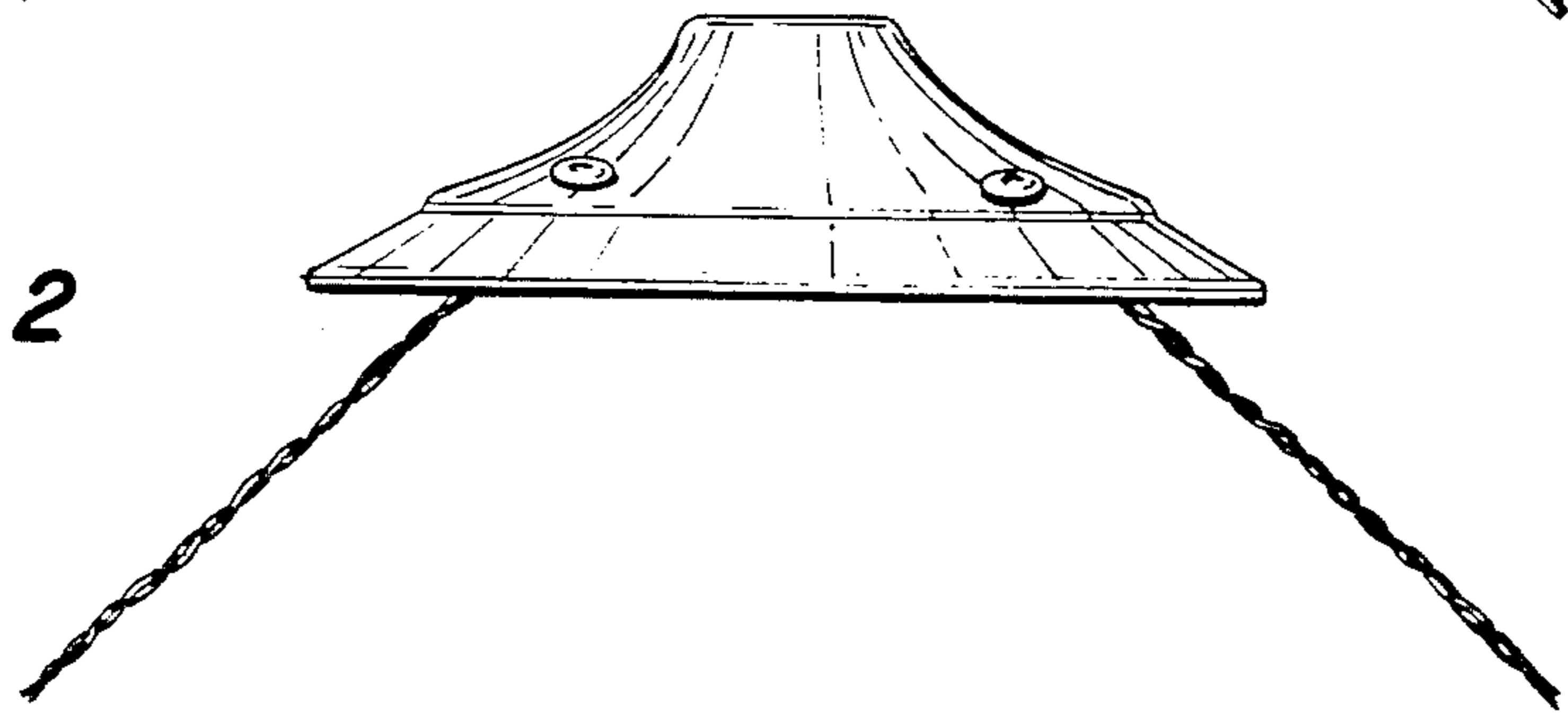
FIG. 3 is a bottom plan view thereof.



*FIG 1*



*FIG. 2*



*FIG. 3*

