

[54] FEEDING BOTTLE HOLDER

2,526,121 10/1950 Curry et al. 248/102

[76] Inventor: Ira E. Sukoff, 75 Cricket Club Dr.,
Nassau, N.Y. 11576

Primary Examiner—A. Hugo Word
Assistant Examiner—Stella M. Reid
Attorney, Agent, or Firm—Charles E. Temko

[**] Term: 14 Years

[57] CLAIM

[21] Appl. No.: 473,194

The ornamental design for a feeding bottle holder, substantially as shown and described.

[22] Filed: Mar. 7, 1983

[52] U.S. Cl. D24/48

[58] Field of Search D24/48; 248/102, 105

DESCRIPTION

[56] References Cited

U.S. PATENT DOCUMENTS

- D. 197,828 3/1964 Reis D24/48
- D. 198,488 6/1964 Reis D24/48
- D. 250,048 10/1978 Sussmann D24/48
- 1,886,619 11/1932 Arnone 248/105
- 2,344,255 3/1944 Lichter D24/48 X

FIG. 1 is a perspective view of a feeding bottle holder showing my new design;
 FIG. 2 is a side elevational view thereof, the opposite side being symmetrical;
 FIG. 3 is a front elevational view thereof;
 FIG. 4 is a top plan view thereof;
 FIG. 5 is a rear elevational view thereof; and
 FIG. 6 is a bottom plan view thereof.

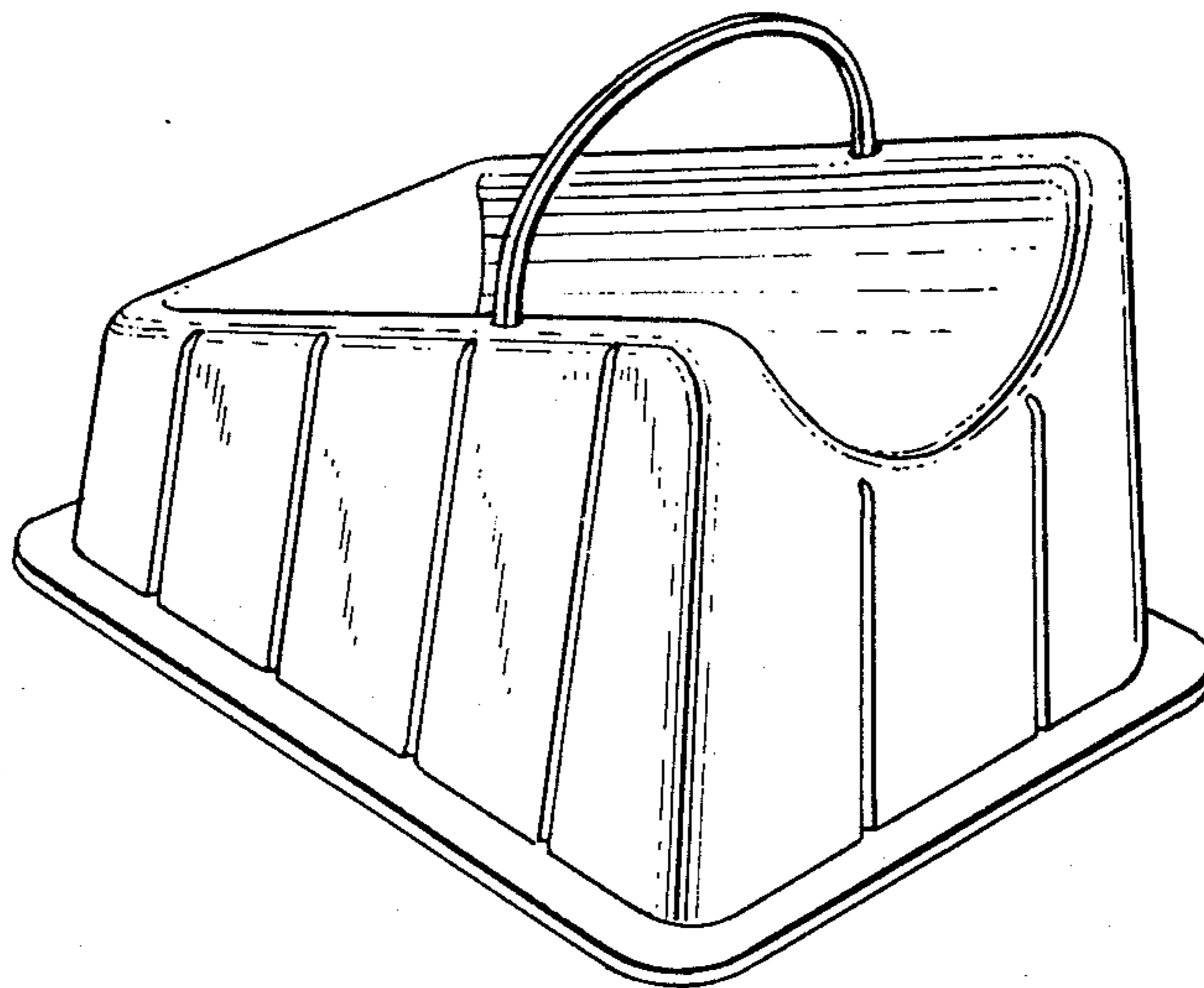


FIG. 1.

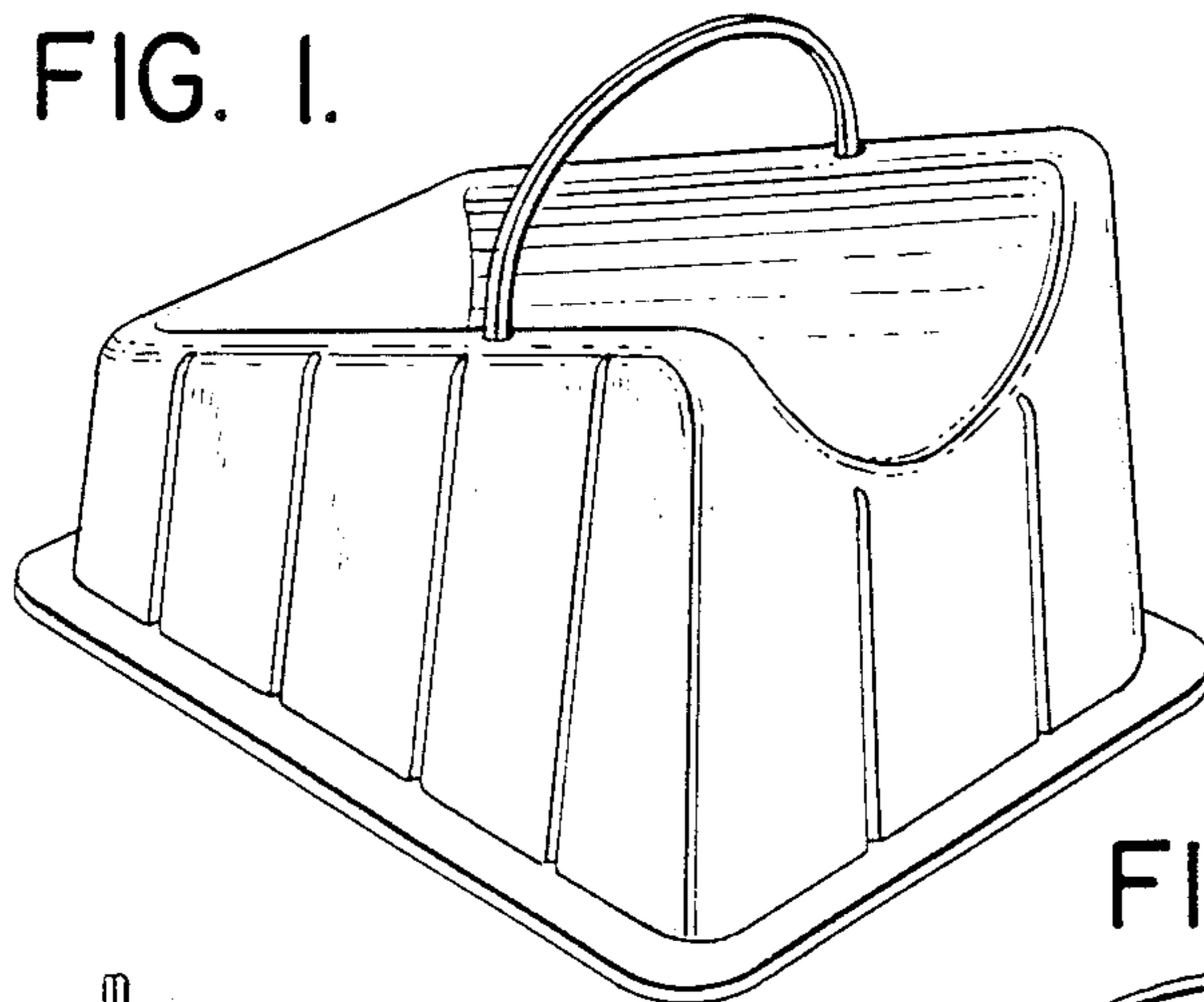


FIG. 2.

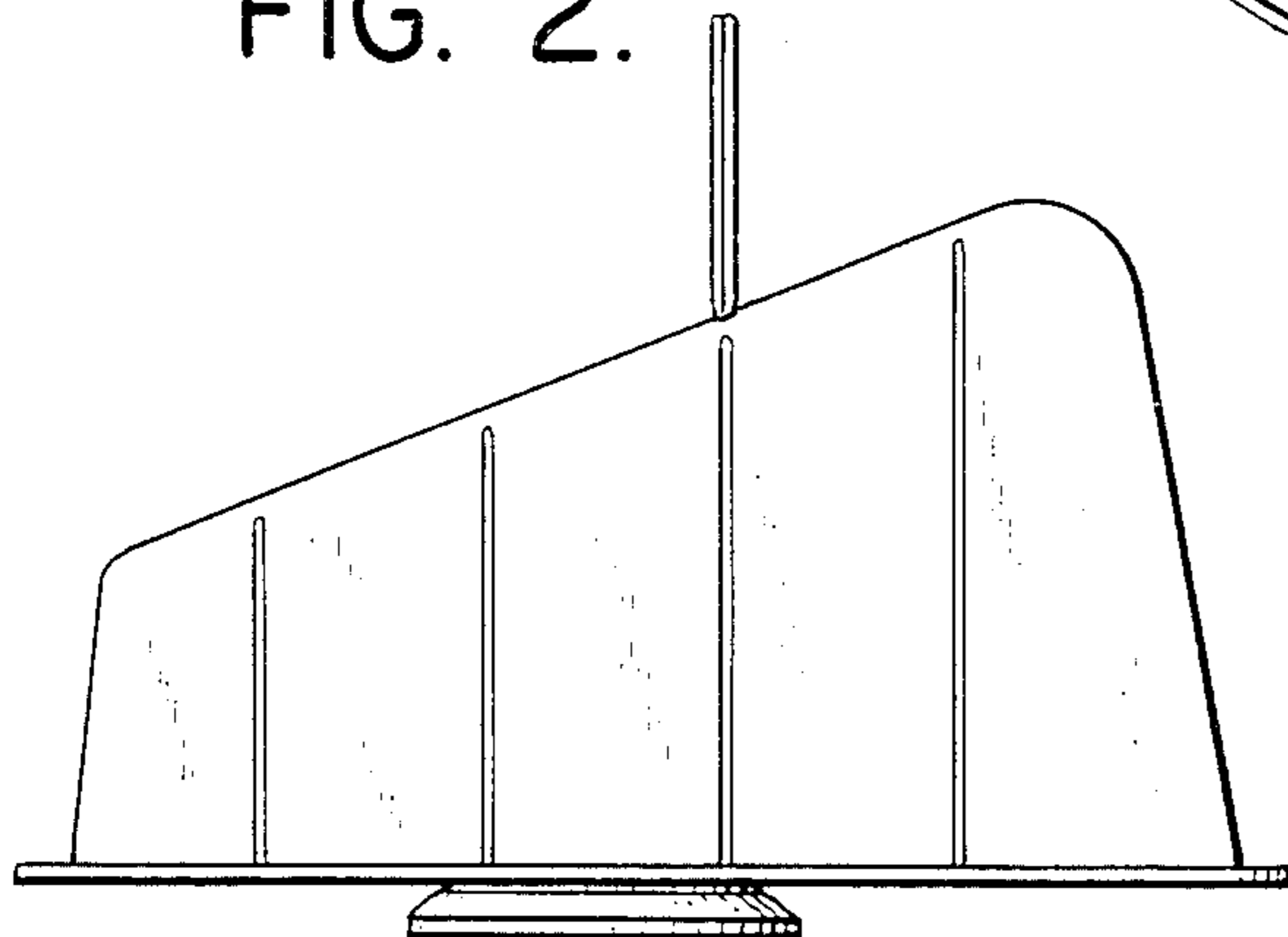


FIG. 3.

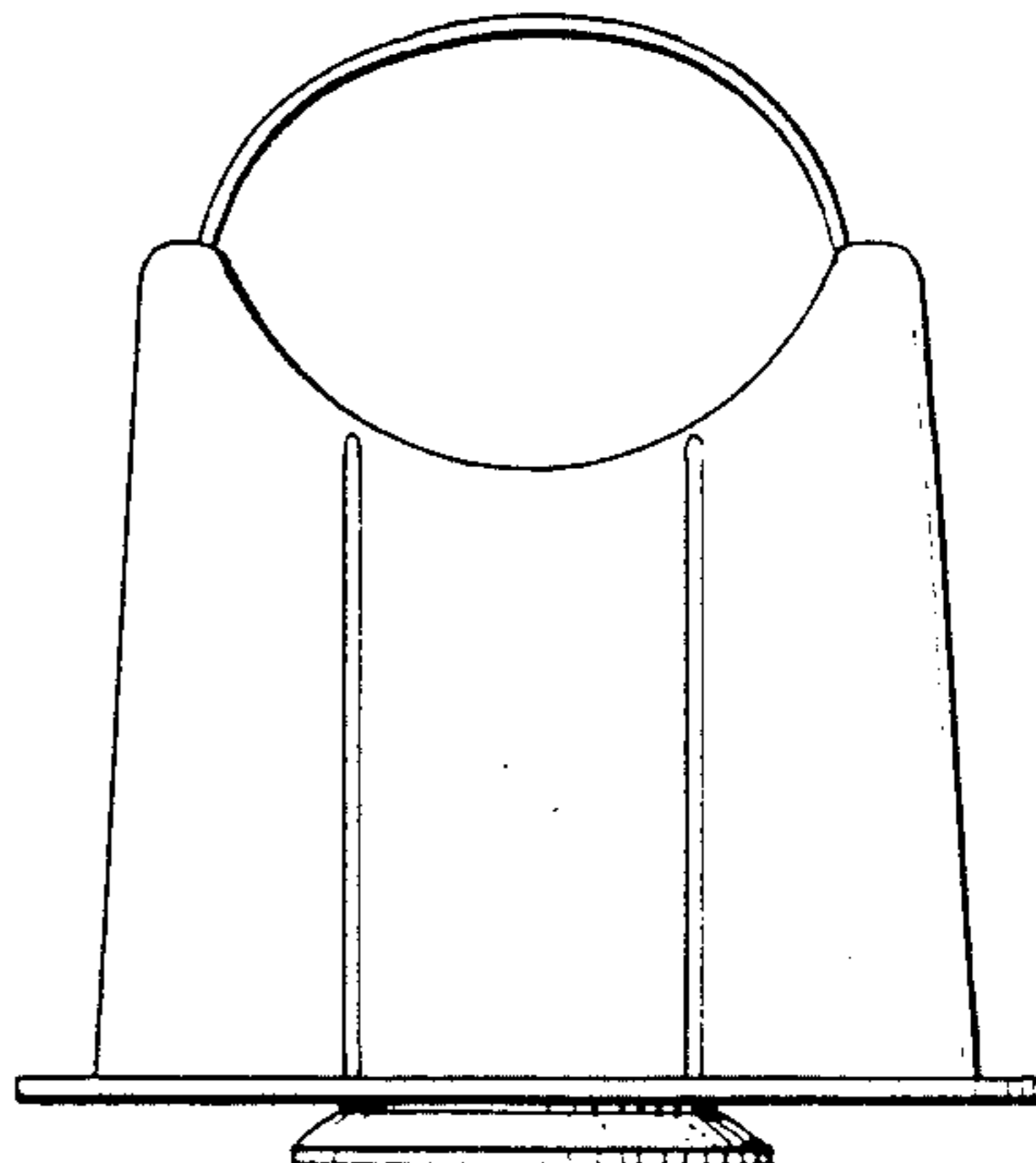


FIG. 4.

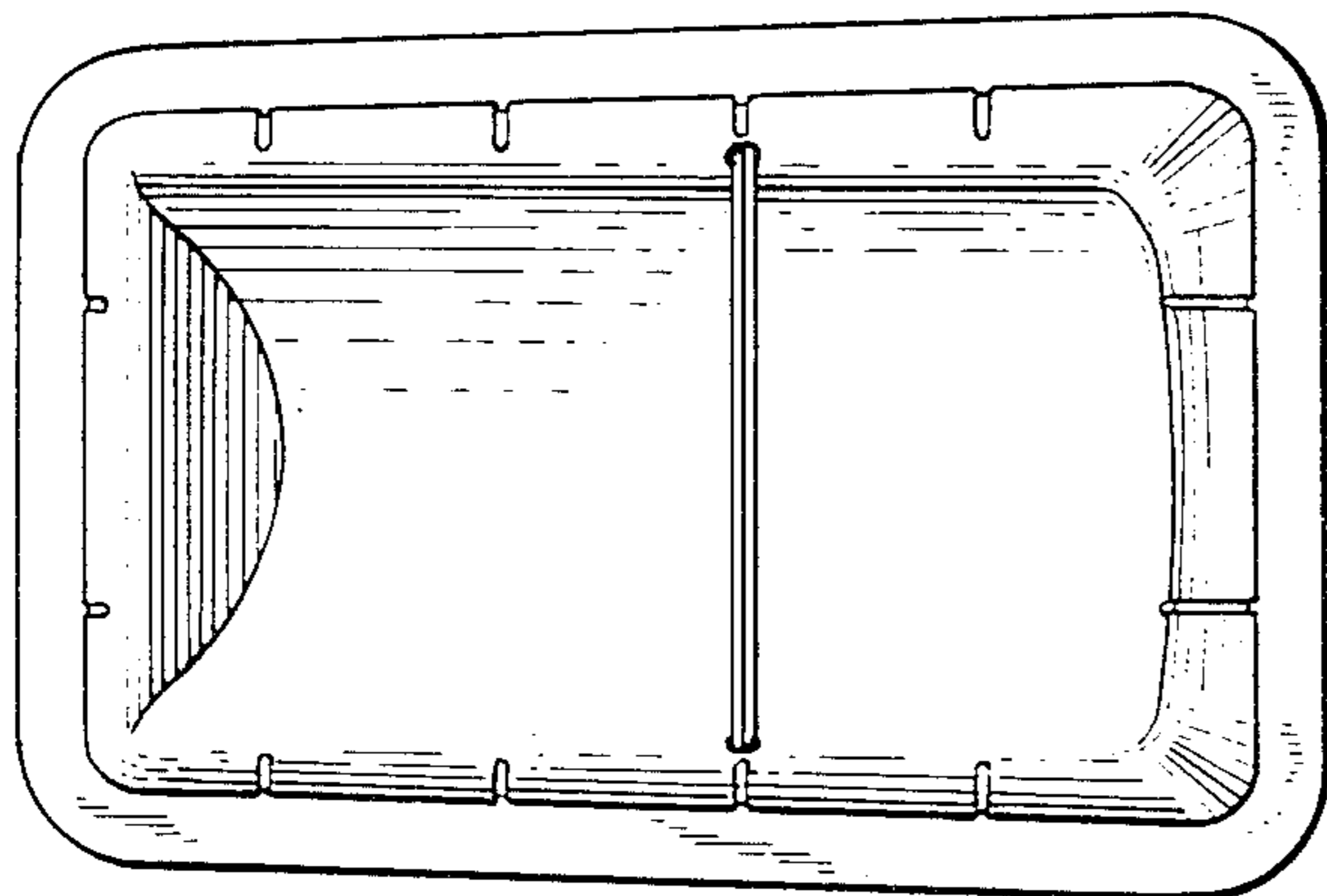


FIG. 5.

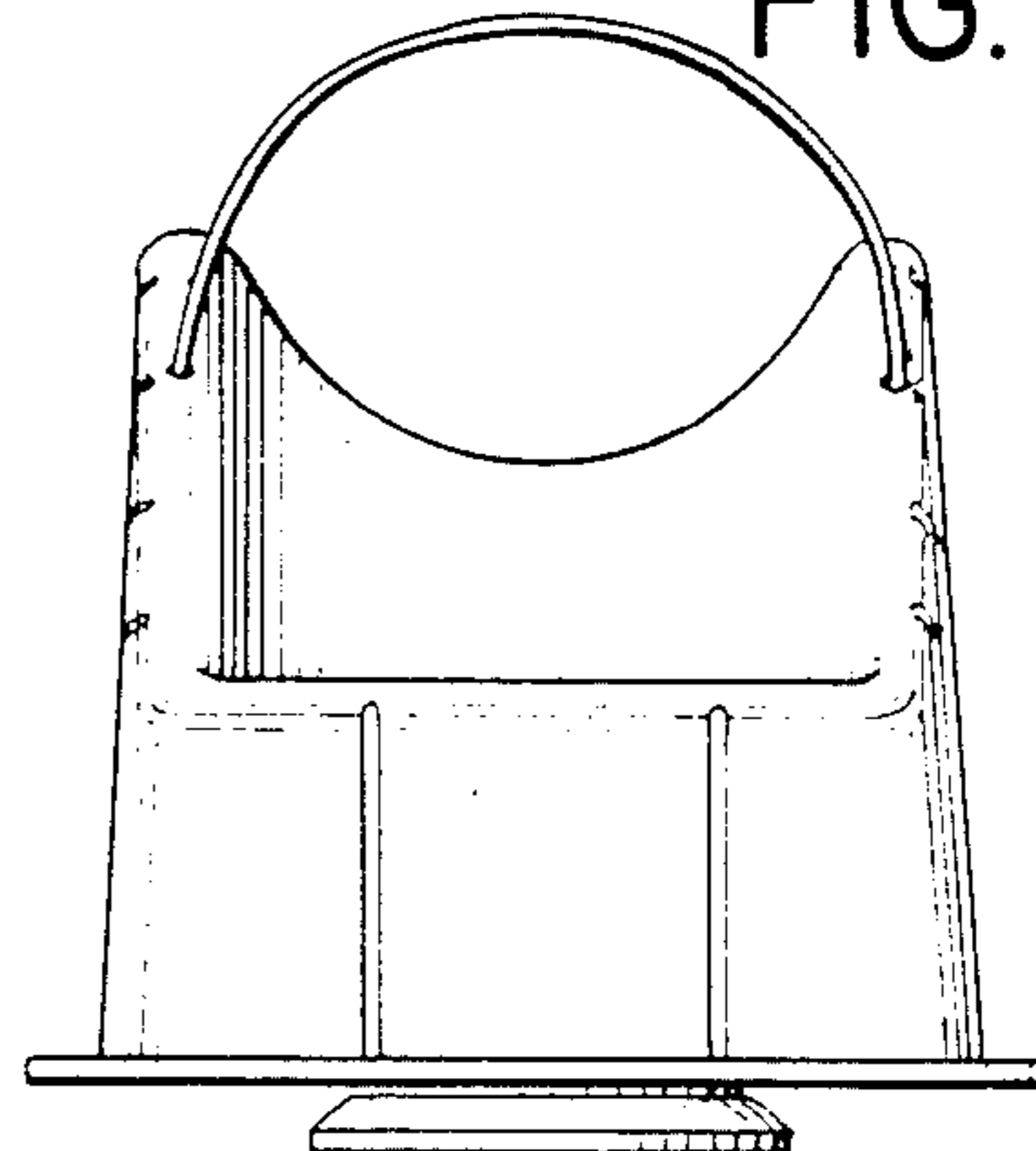


FIG. 6.

