

[54] PHARMACEUTICAL CHECK BOX

[76] Inventor: Robert L. Brown, 41 Fontaine Rd., Greenville, S.C. 29607

[\*\*] Term: 14 Years

[21] Appl. No.: 520,488

[22] Filed: Aug. 4, 1983

[52] U.S. Cl. .... D24/31; D34/40

[58] Field of Search ..... D24/31; 206/528, 529, 206/530, 538-540, 558, 562, 563, 564, 828; 414/675; D9/456, 341; D34/40

[56] References Cited

U.S. PATENT DOCUMENTS

3,150,785	9/1964	Clasen .....	414/675
4,047,620	9/1977	Deiningen .....	414/675
4,065,000	12/1977	Murton .....	414/675

FOREIGN PATENT DOCUMENTS

930405 7/1973 Canada ..... 206/558

Primary Examiner—Wallace R. Burke  
Assistant Examiner—Stella M. Reid  
Attorney, Agent, or Firm—Bailey & Hardaway

[57] CLAIM

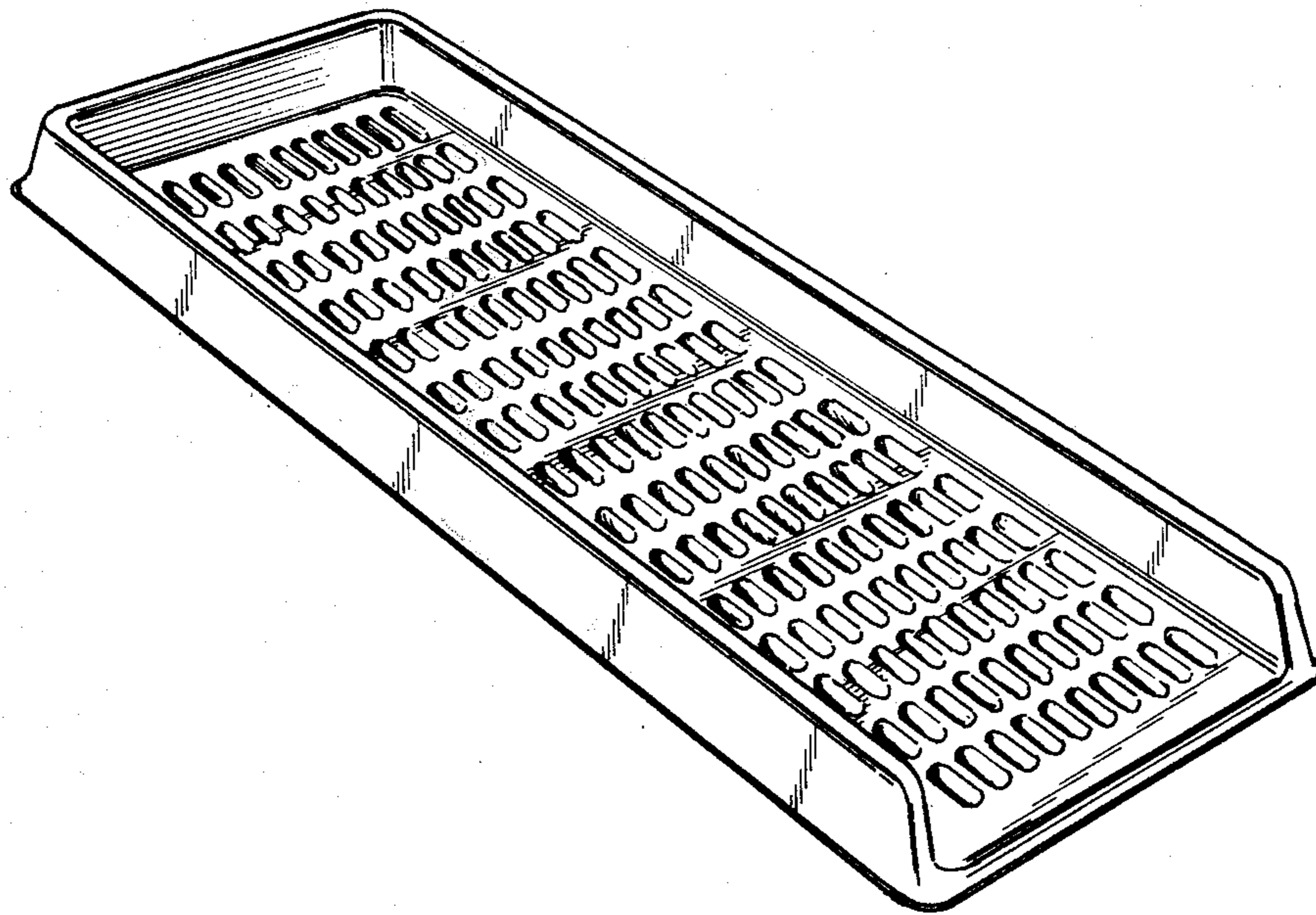
The ornamental design for a pharmaceutical check box, as shown.

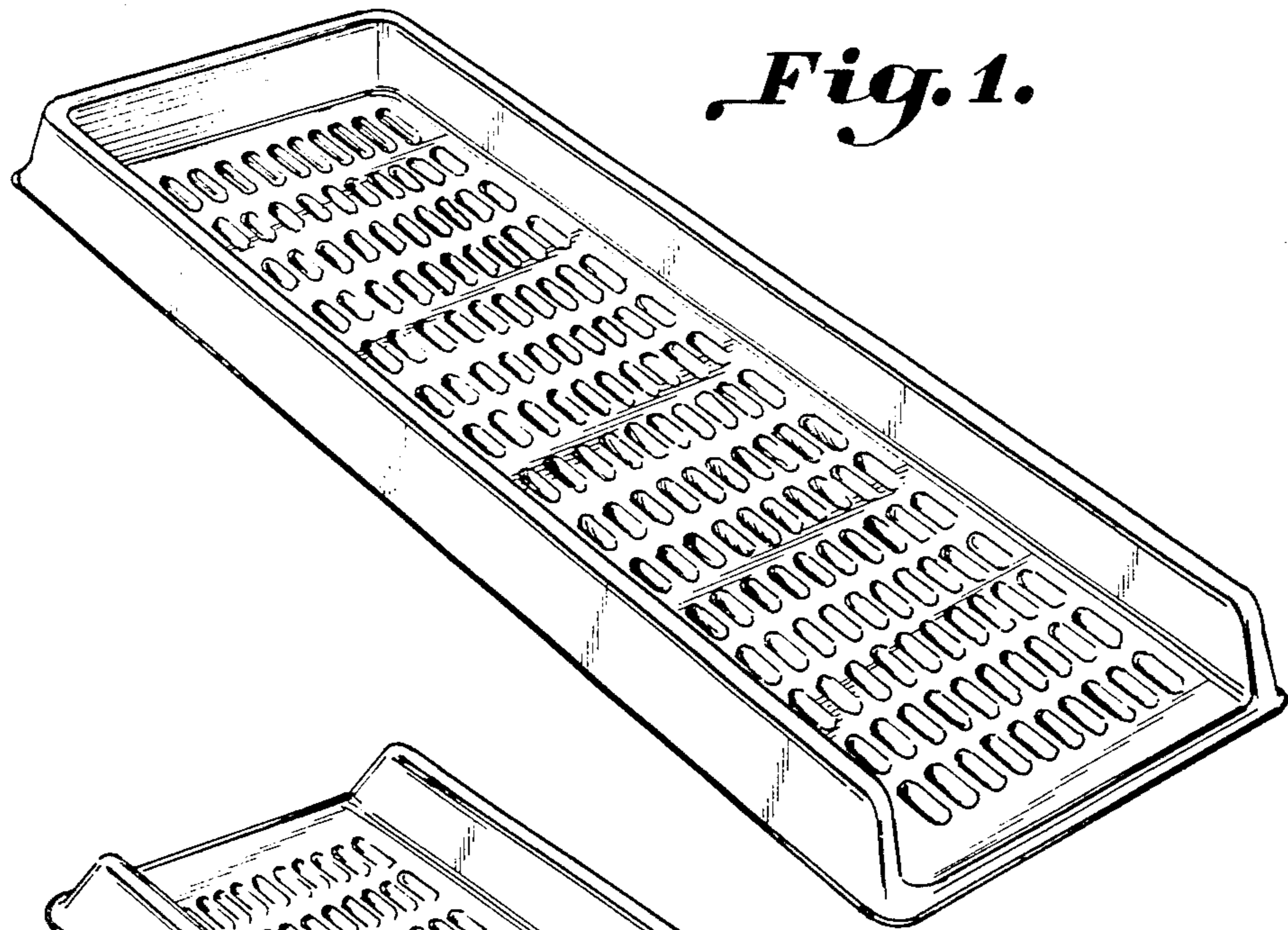
DESCRIPTION

FIG. 1 is a perspective view of a pharmaceutical check box taken from the left-hand front side, illustrating my new design;

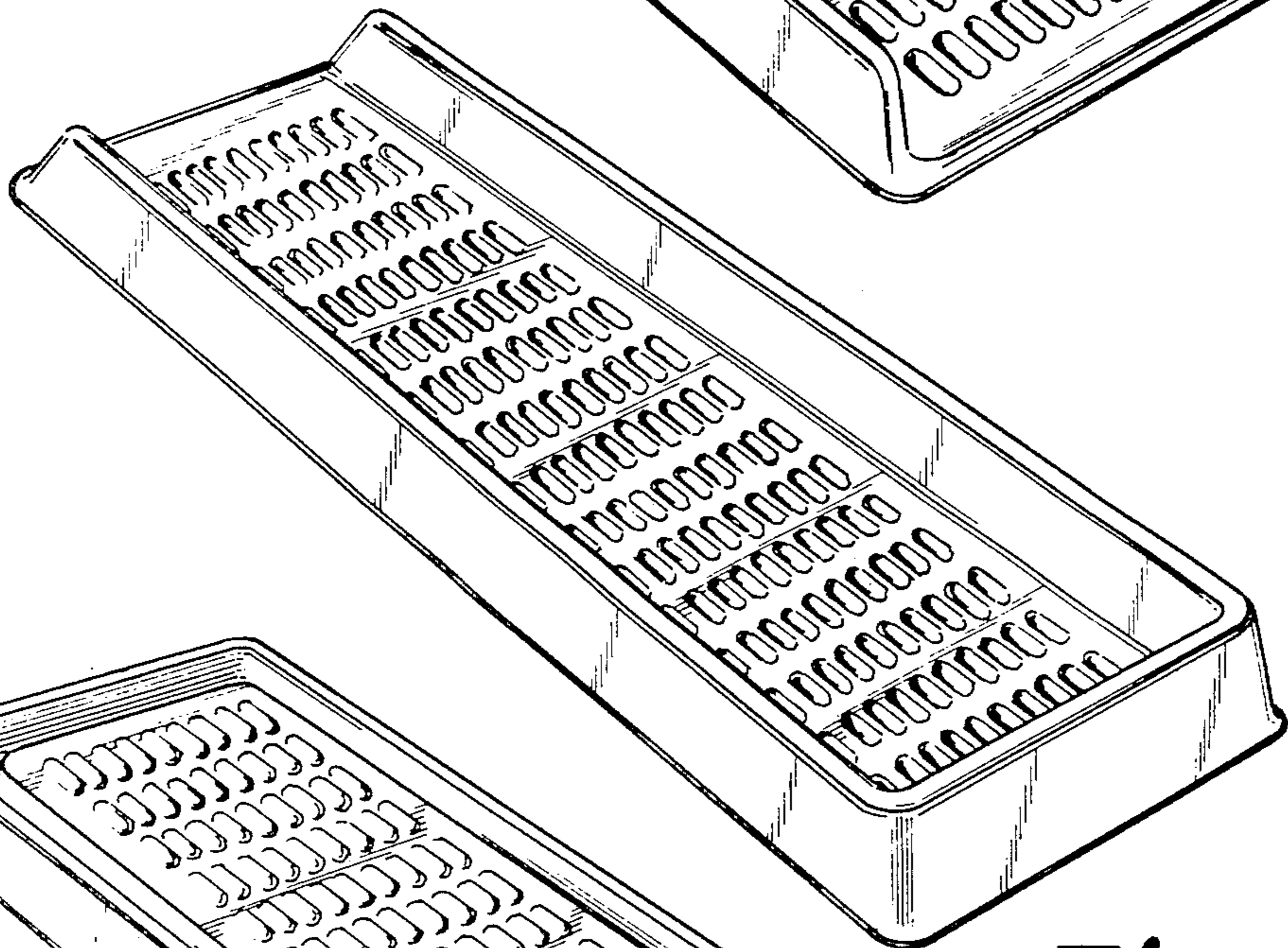
FIG. 2 is a perspective view looking toward the rear right-hand side of the pharmaceutical check box constructed in accordance with my new design, and

FIG. 3 is a perspective view looking toward the right front underneath side of the pharmaceutical check box illustrating my new design.

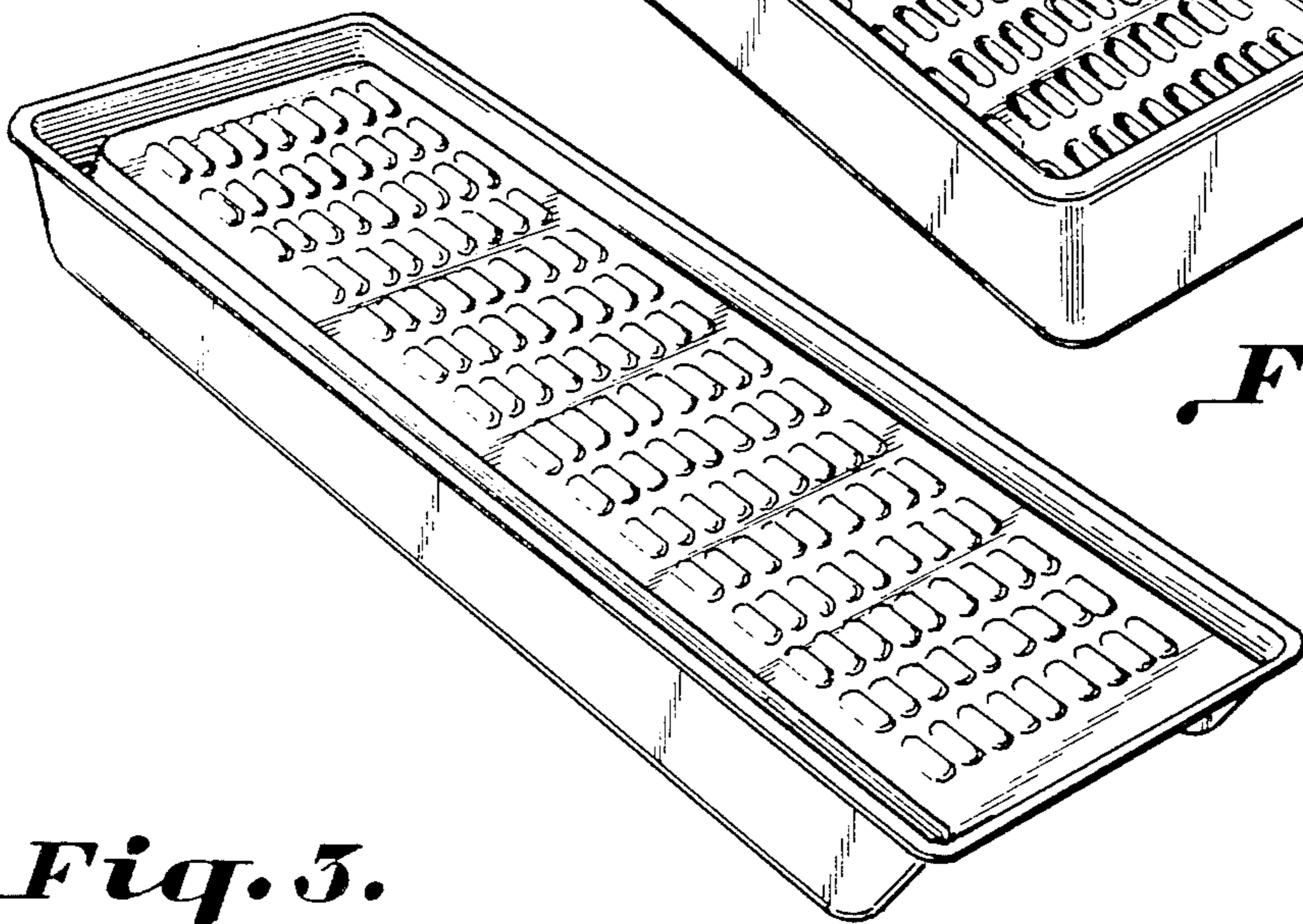




*Fig. 1.*



*Fig. 2.*



*Fig. 3.*