

[54] PLASTIC TUBING CONNECTOR

3,767,233 10/1973 Hodge 285/239

[76] Inventor: Albert J. Gerber, 15 Paxton La., St. Louis, Mo. 63124

FOREIGN PATENT DOCUMENTS

[**] Term: 14 Years

810096 3/1937 France 285/239
1453899 10/1976 United Kingdom 285/239

[21] Appl. No.: 465,826

OTHER PUBLICATIONS

[22] Filed: Feb. 14, 1983

Domestic Engineering, Apr. 1959, p. 63, item No. 2.
Hanson Catalog (C) 1958, p. 41, "Hose Splicers" item.

[52] U.S. Cl. D23/43; D24/53; 285/239

Primary Examiner—James R. Largen

[58] Field of Search D23/40-47; D24/53; 128/912; 285/235, 239-241, 84; 604/283, 326, 905

[57] CLAIM

[56] References Cited

The ornamental design for a plastic tubing connector, substantially as shown and described.

U.S. PATENT DOCUMENTS

DESCRIPTION

48,709	7/1865	Emory	285/247 X
D. 235,342	6/1975	Otto	D23/41
D. 235,343	6/1975	Otto	D23/43
D. 259,278	5/1981	McCaw et al.	D23/43 X
1,996,855	4/1935	Cheswright	285/239
3,667,781	6/1972	Holbrook	604/326 X
3,759,445	9/1973	King	285/235 X

FIG. 1 is a side elevational view of a plastic tubing connector showing my new design;
FIG. 2 is an elevational view taken from one end thereof, the opposite end being the same as the end shown; and
FIG. 3 is a cross sectional view taken on line 3—3 of FIG. 1.

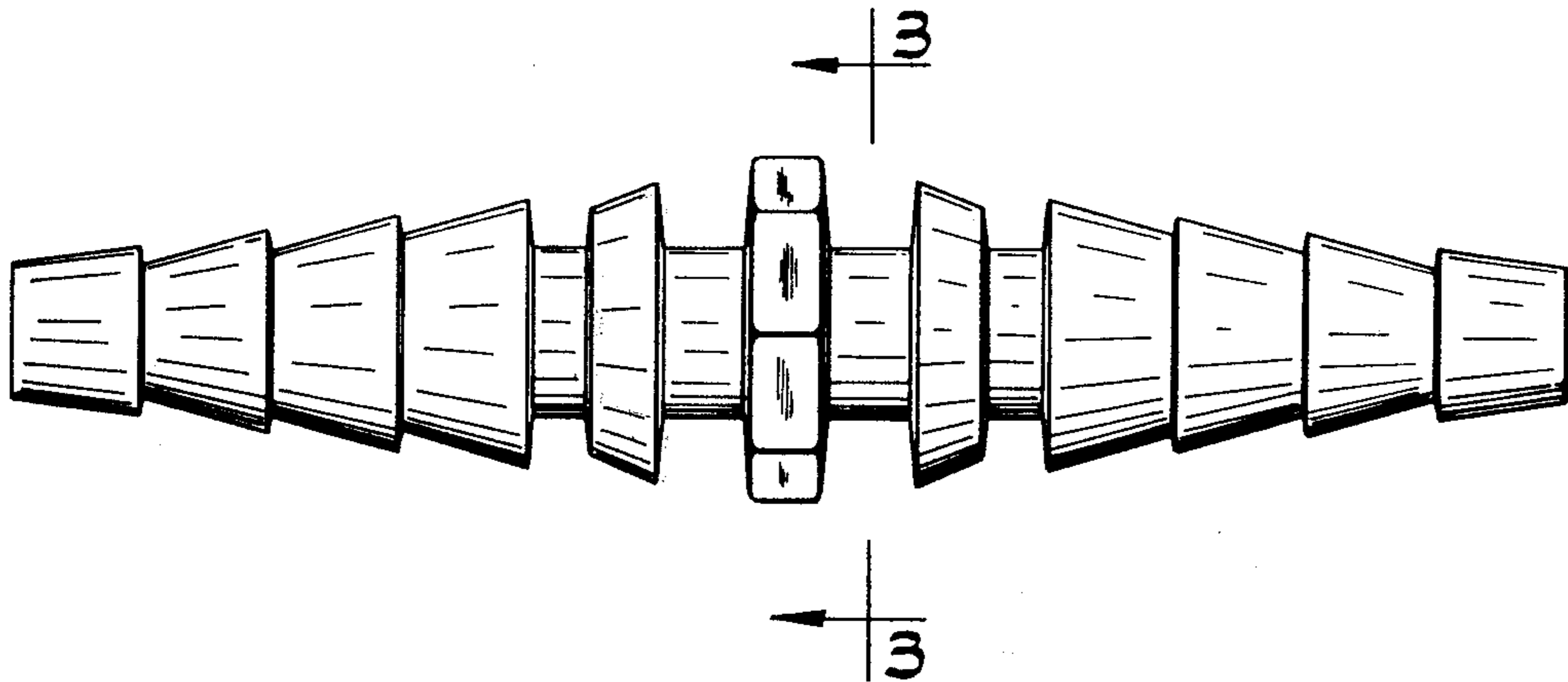


FIG. 1

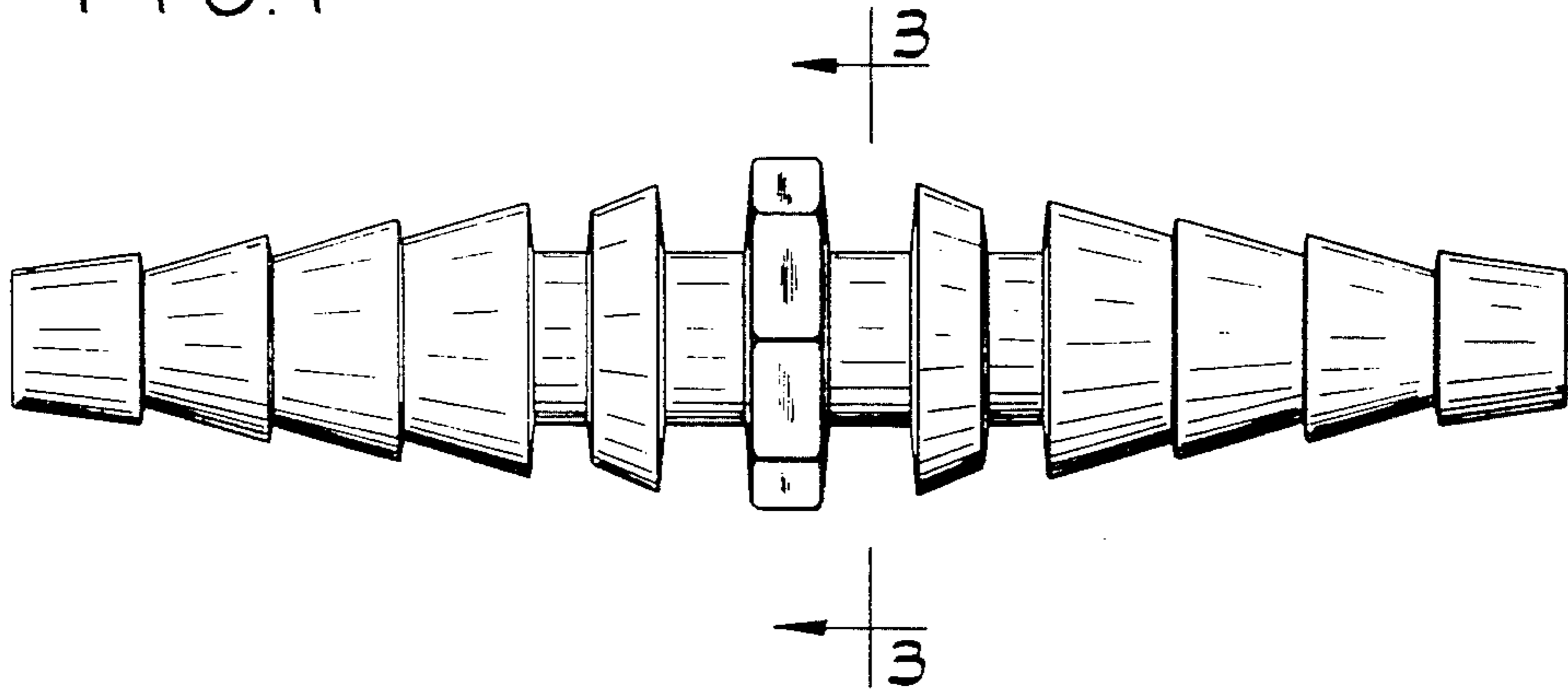


FIG. 2

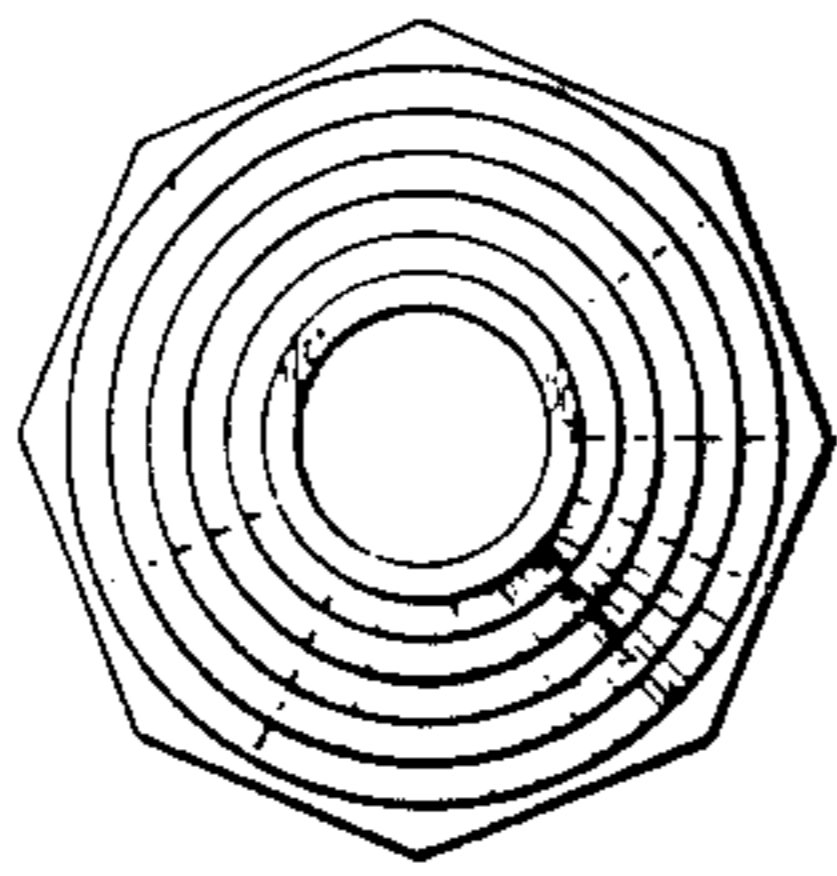


FIG. 3

