

[54] WELDING OUTLET

[75] Inventor: Bobby W. Ryan, Houston, Tex.

[73] Assignee: WFI, Inc., Houston, Tex.

[**] Term: 14 Years

[21] Appl. No.: 506,898

[22] Filed: Jun. 22, 1983

[52] U.S. Cl. D23/40

[58] Field of Search D23/40-47;
285/189, 286

3,594,025	7/1971	Wagner	285/189 X
3,894,757	7/1975	Best	285/189
4,103,940	8/1978	Bills	285/189
4,179,141	12/1979	Newman	285/189
4,438,955	3/1984	Ryan	285/189

OTHER PUBLICATIONS

WFI, Inc. 1982 Catalog.
Brochure—"Vesselet/Bottlet Branch Connections".
Brochure—"Cost Comparison".

Primary Examiner—James R. Largen
Attorney, Agent, or Firm—Pravel, Gambrell, Hewitt & Kimball

[56] References Cited

U.S. PATENT DOCUMENTS

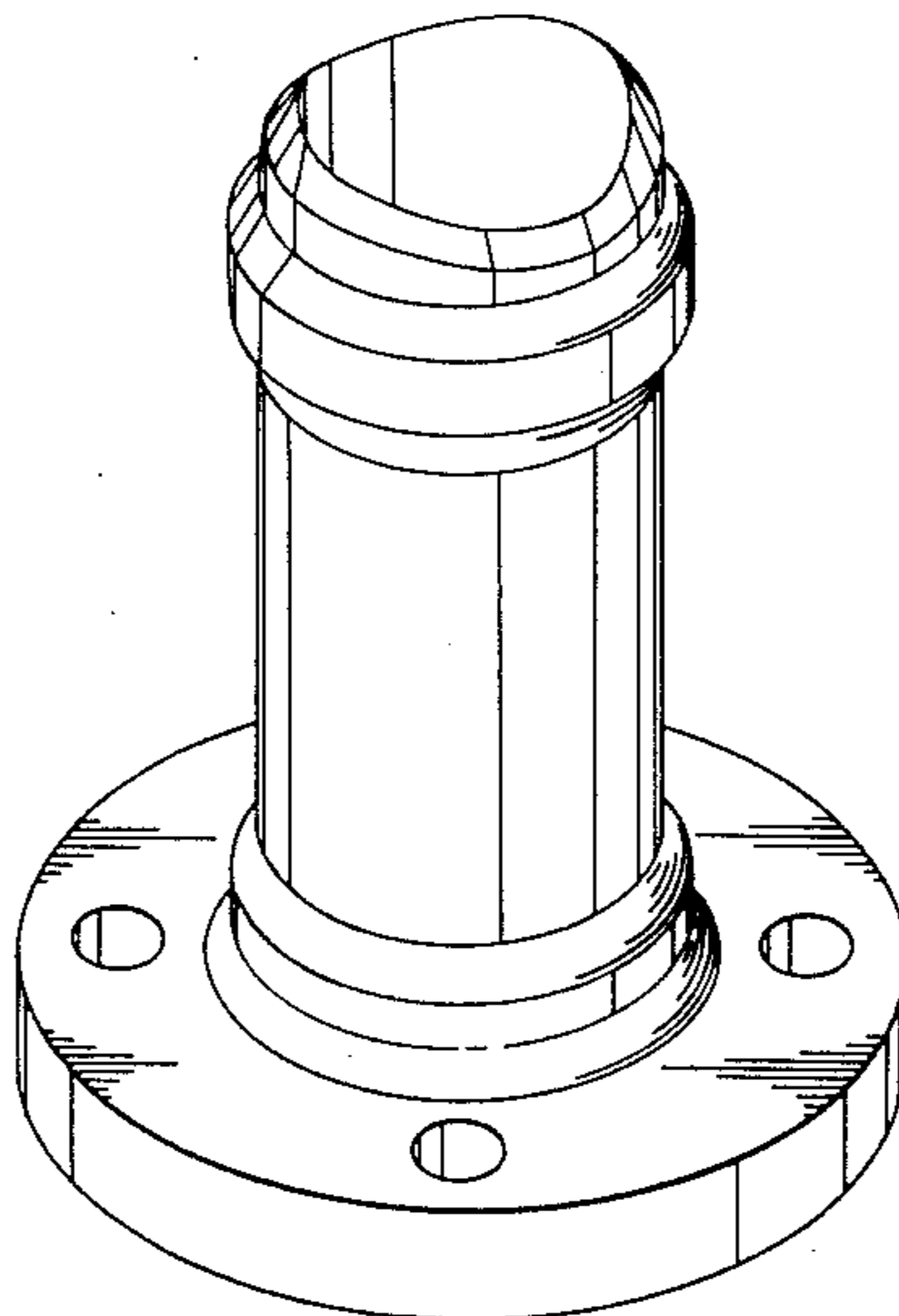
D. 238,876	2/1976	Anderson	D23/43
D. 243,456	2/1977	Ryan	D23/40
D. 254,266	2/1980	Tableriou	D23/40
D. 267,505	1/1983	Ryan	D23/40
2,463,006	3/1949	Vander Clute	285/189
2,981,556	4/1961	Jackson	285/189 X
3,183,023	5/1965	Morrison	285/189 X
3,254,909	6/1966	Ver Noog	285/189

[57] CLAIM

The ornamental design for a welding outlet, as shown.

DESCRIPTION

FIG. 1 is a perspective view of a welding outlet showing my new design;
FIG. 2 is a side elevational view thereof;
FIG. 3 is a side elevational view taken ninety degrees from that shown in FIG. 2; and
FIG. 4 is a top plan view thereof.



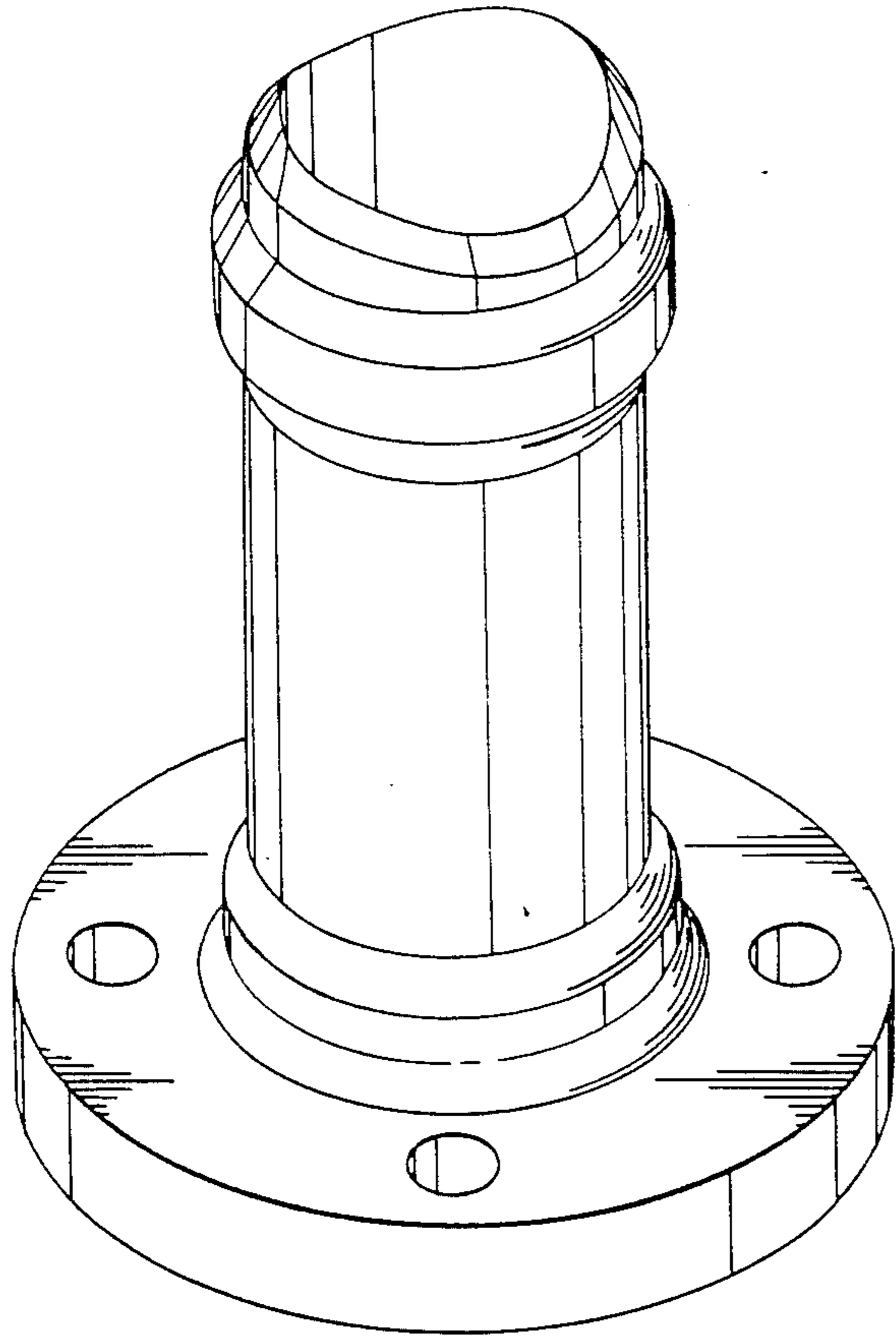


fig. 1

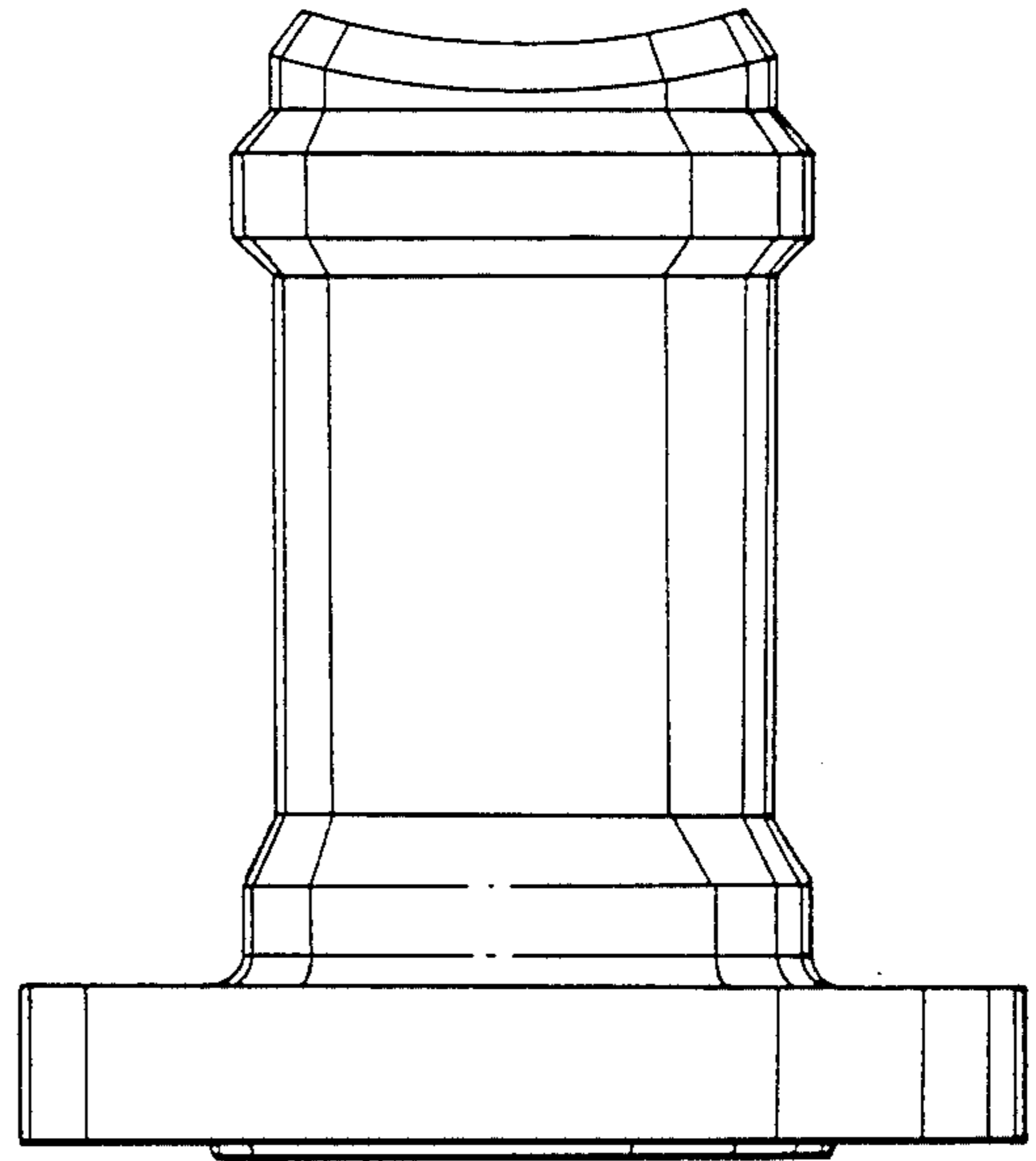


fig. 2

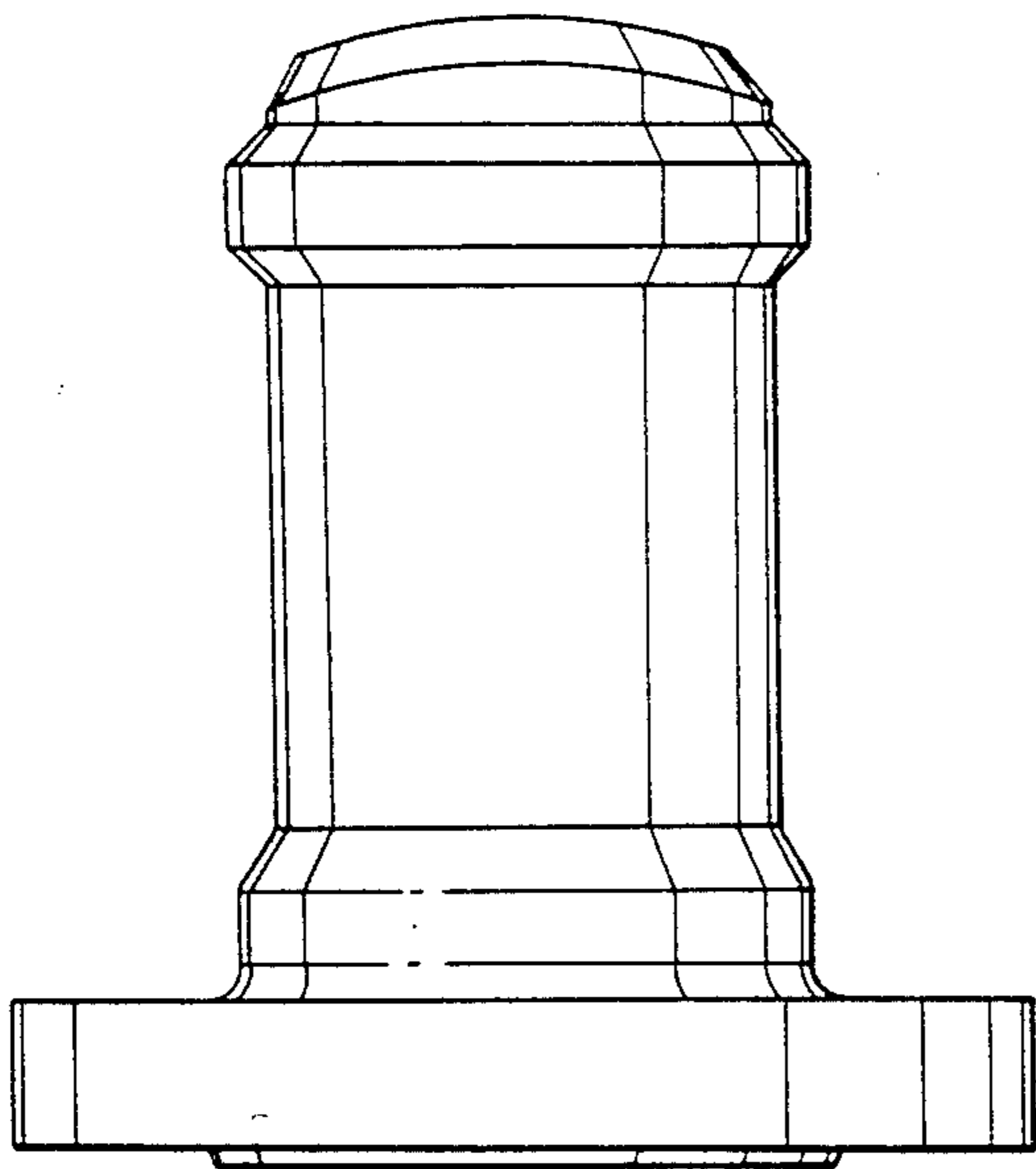


fig. 3

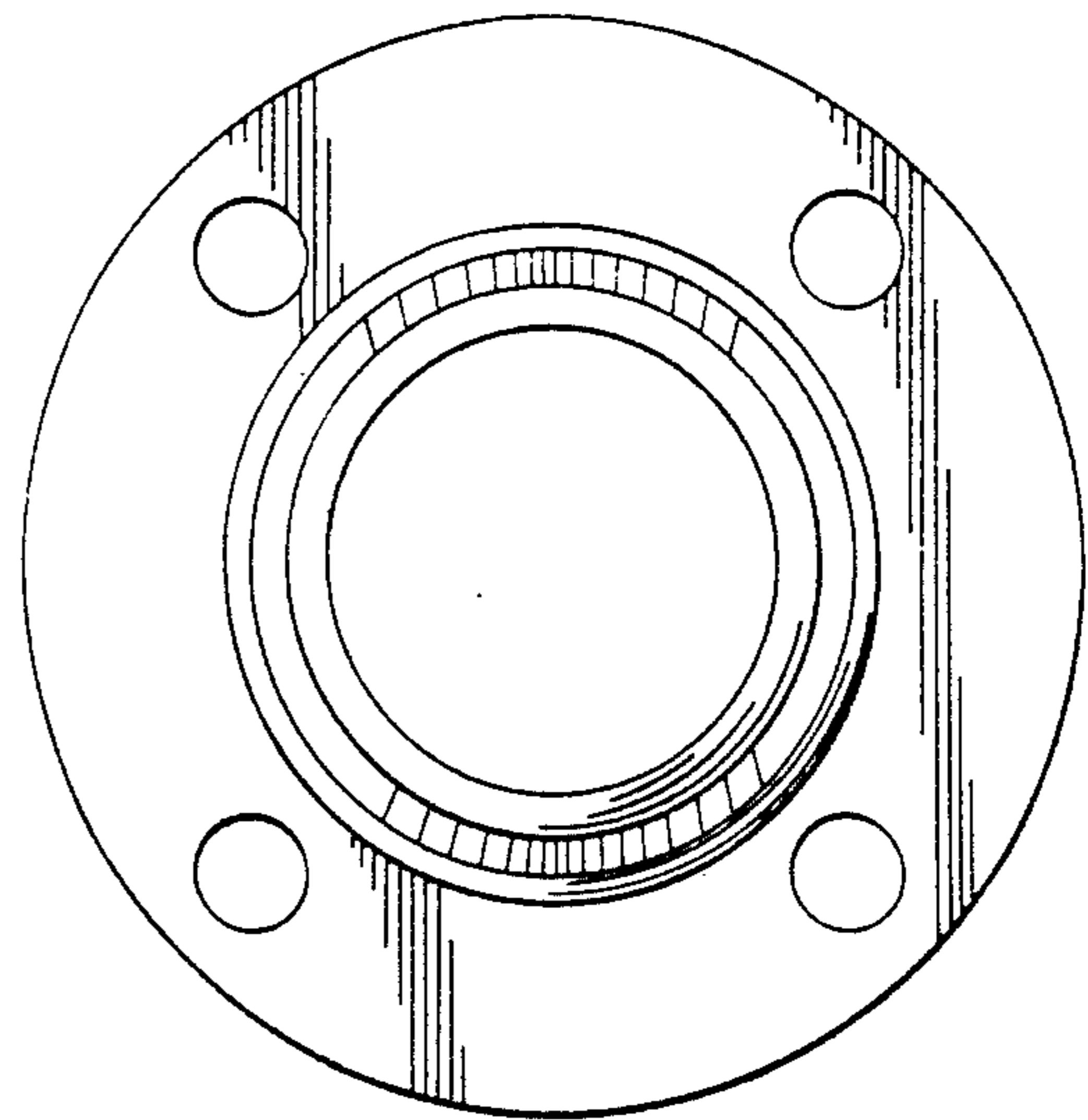


fig. 4