

[54] SPRINKLER NOZZLE

[75] Inventors: Robert J. O'Neill; Hans D. Christen, both of LaVerne, Calif.

[73] Assignee: Rain Bird Sprinkler Mfg. Corp., Glendora, Calif.

[**] Term: 14 Years

[21] Appl. No.: 500,274

[22] Filed: Jun. 2, 1983

[52] U.S. Cl. D23/34

[58] Field of Search D23/34-37; 239/552, 600; D23/34, 35

[56] References Cited

U.S. PATENT DOCUMENTS

D. 159,174	6/1950	Thompson	D23/34
D. 230,641	3/1974	Mowbray	D23/34 X
D. 235,261	6/1975	Wichman et al.	D23/34
D. 252,819	9/1979	Watson	D23/34
D. 276,453	11/1984	De Vroom	D23/34 X
3,799,453	3/1974	Hart	239/600
4,050,632	9/1977	Wyse	239/552 X

4,130,247	12/1978	Healy	239/600 X
4,165,039	8/1979	Zielinski	239/600
4,185,781	1/1980	O'Brien	239/600
4,221,336	9/1980	Diamond	239/600 X
4,364,519	12/1982	Kreitzberg	239/600 X
4,438,884	3/1984	O'Brien et al.	239/600

Primary Examiner—James R. Largen
Attorney, Agent, or Firm—Fulwider Patton Rieber Lee & Utecht

[57] CLAIM

The ornamental design for a sprinkler nozzle, substantially as shown and described.

DESCRIPTION

FIG. 1 is a perspective view of the sprinkler nozzle embodying the new design and showing the top, front, and right sides thereof;
FIG. 2 is a front elevation view thereof;
FIG. 3 is a right side elevation view thereof;
FIG. 4 is a left side elevation view thereof;
FIG. 5 is a rear elevation view thereof;
FIG. 6 is a top plan view thereof; and
FIG. 7 is a bottom plan view thereof.

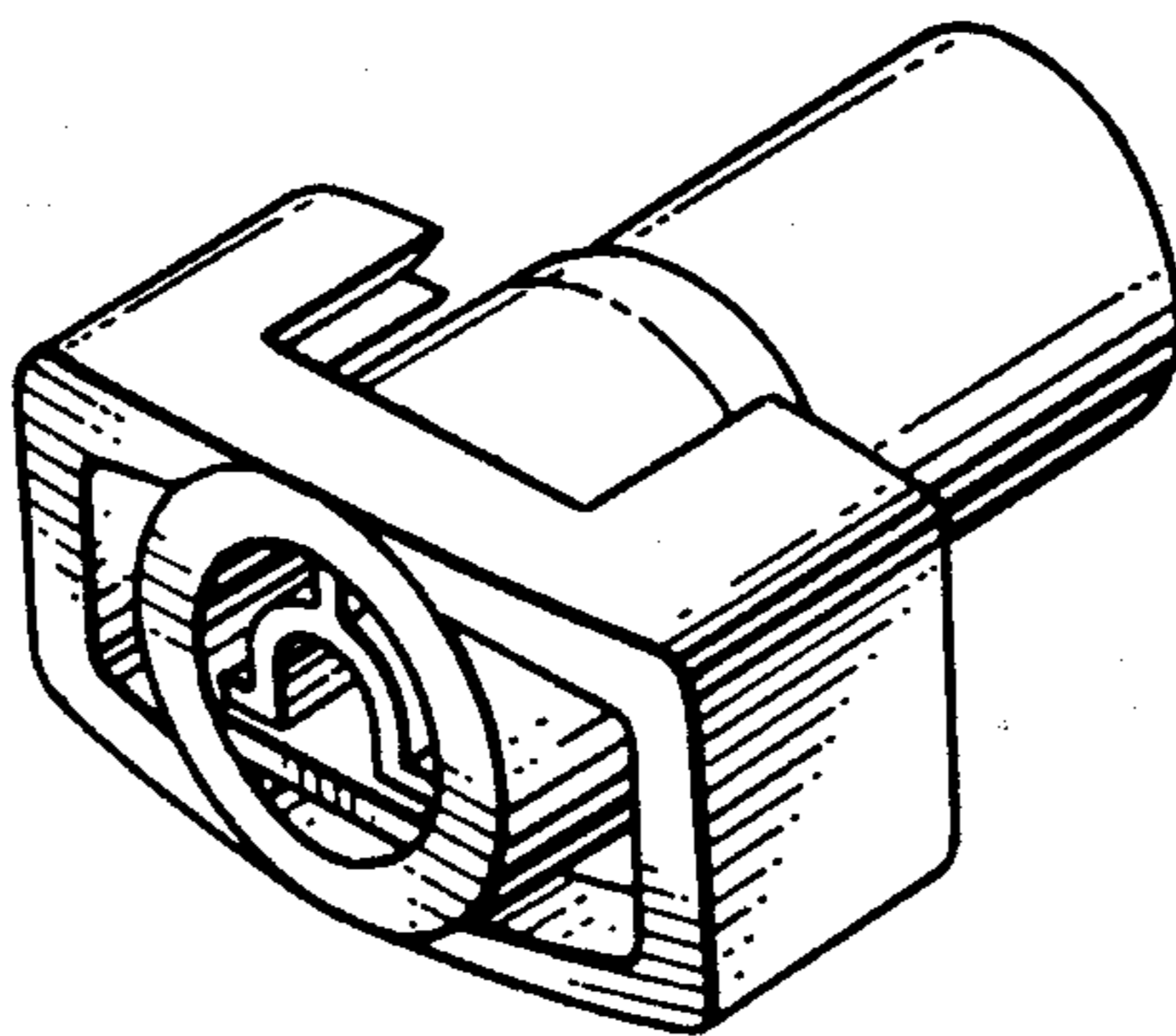


Fig. 1

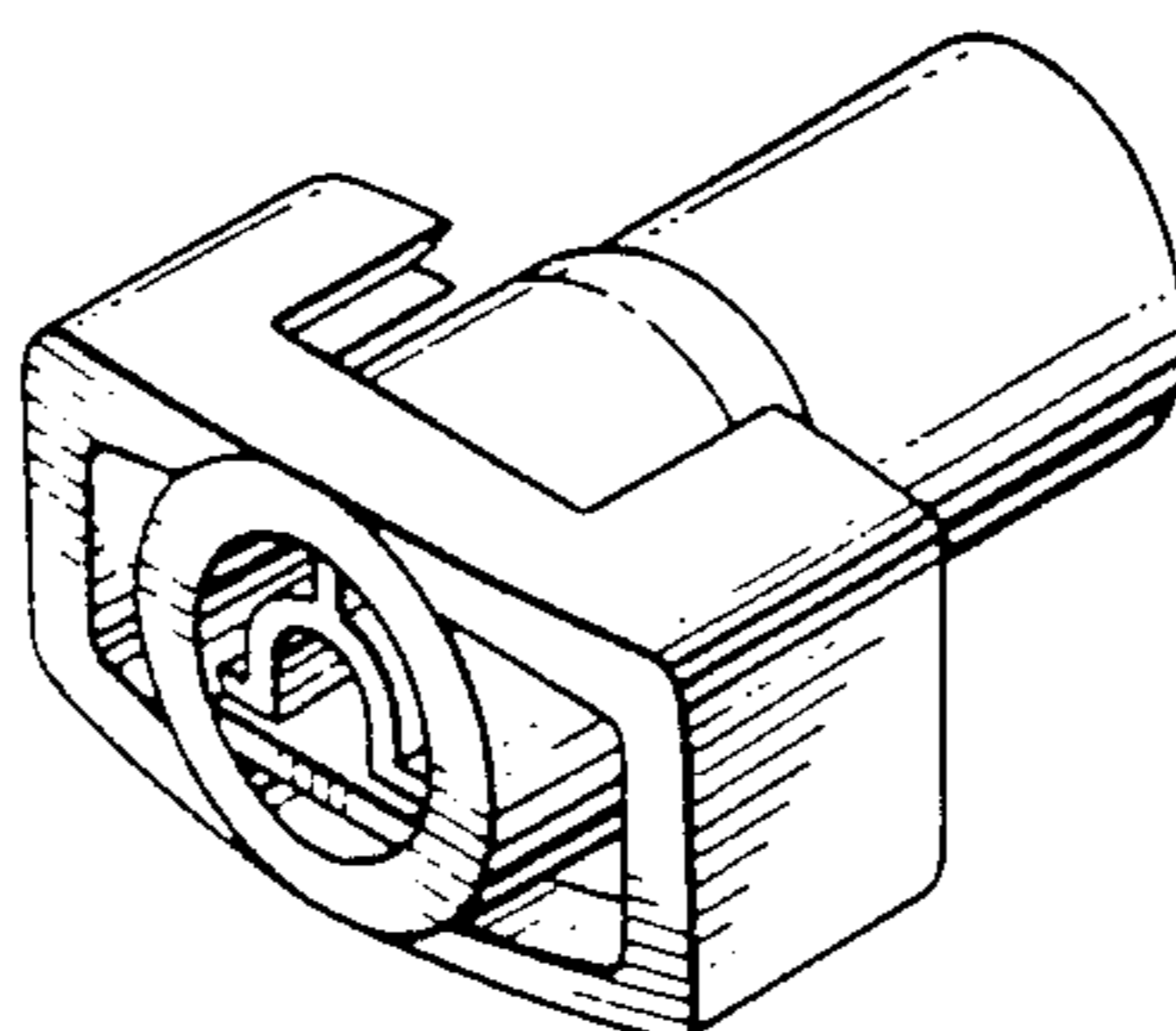


Fig. 2

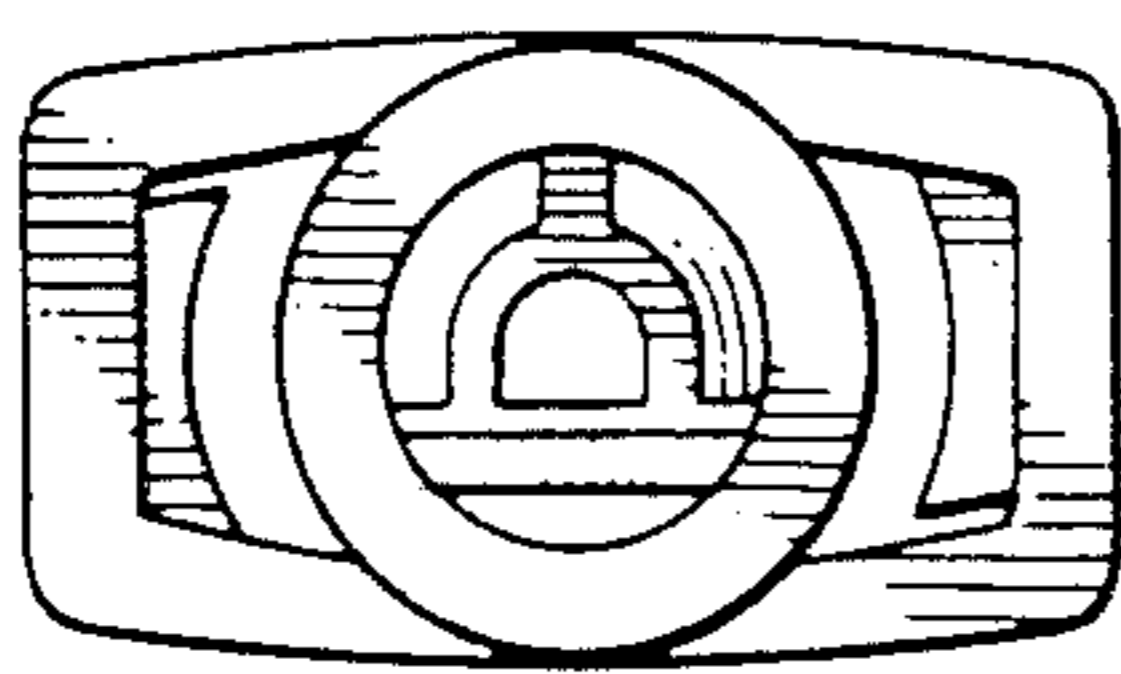


Fig. 3

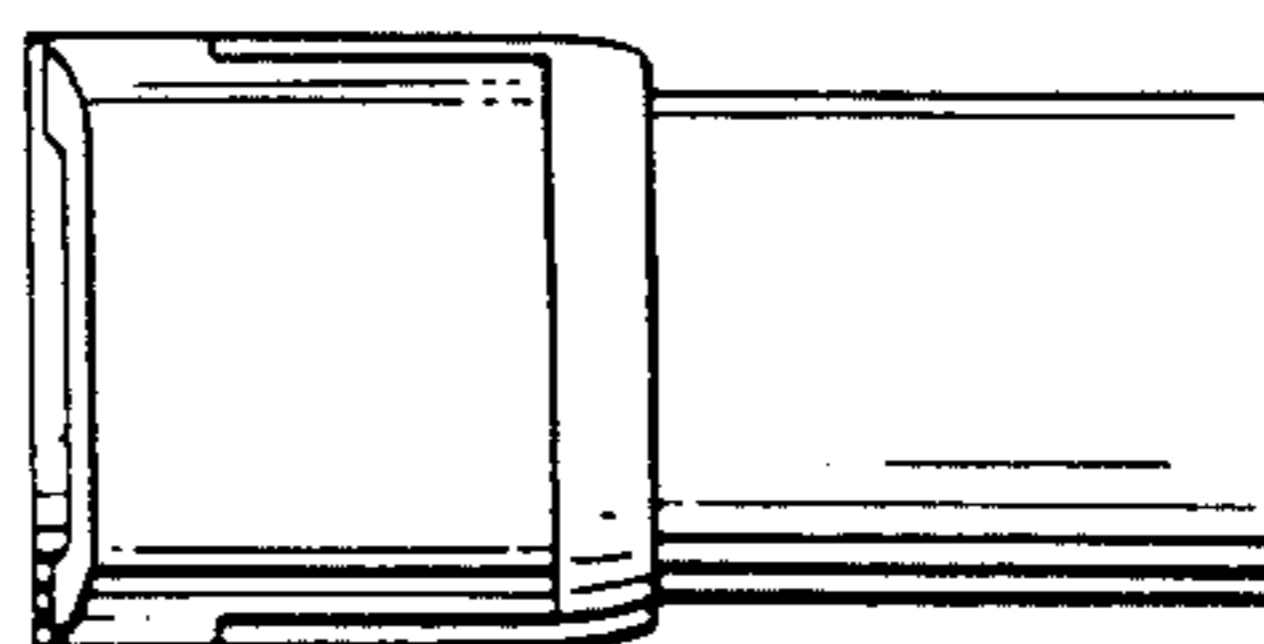


Fig. 4

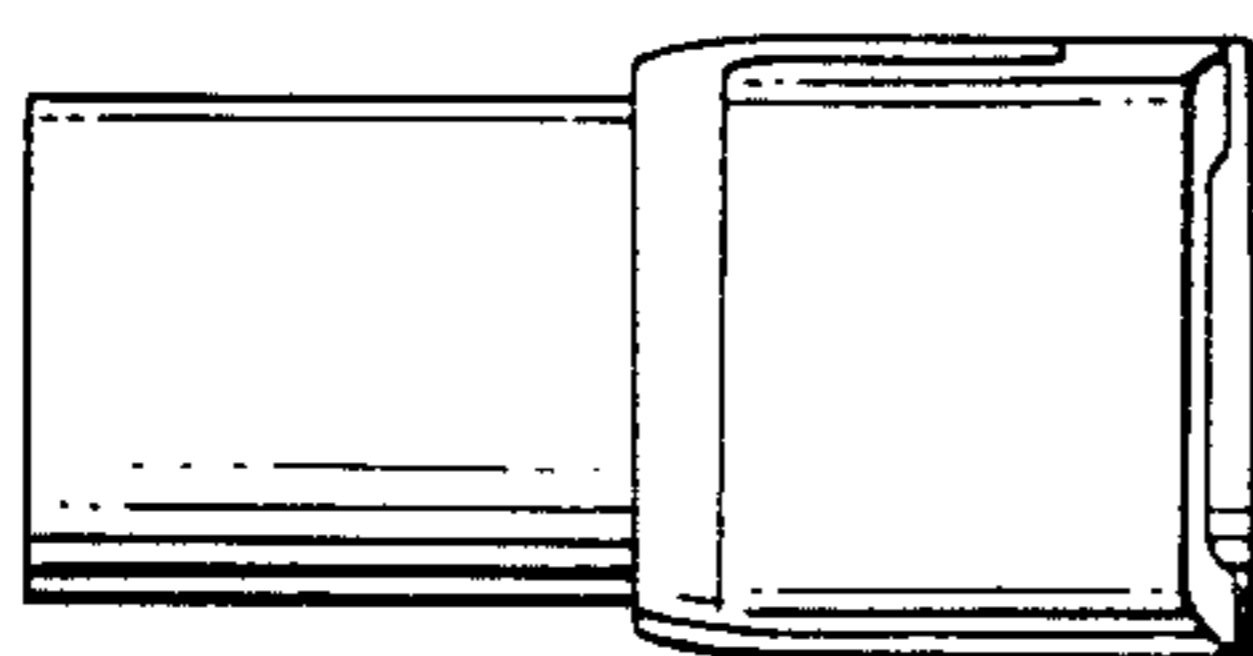


Fig. 5

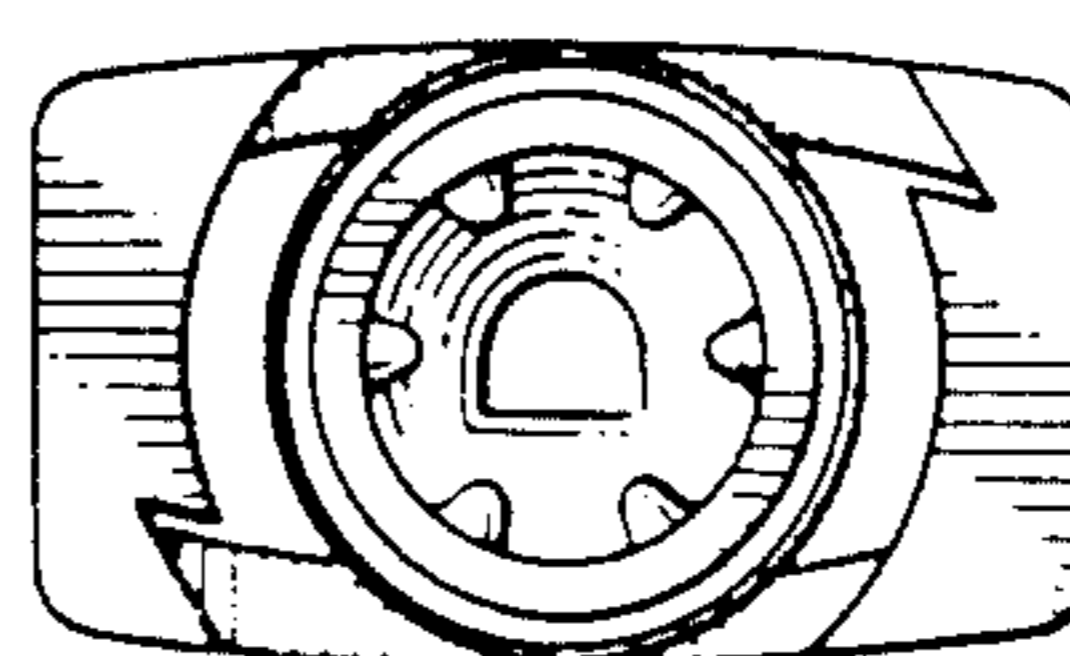


Fig. 6

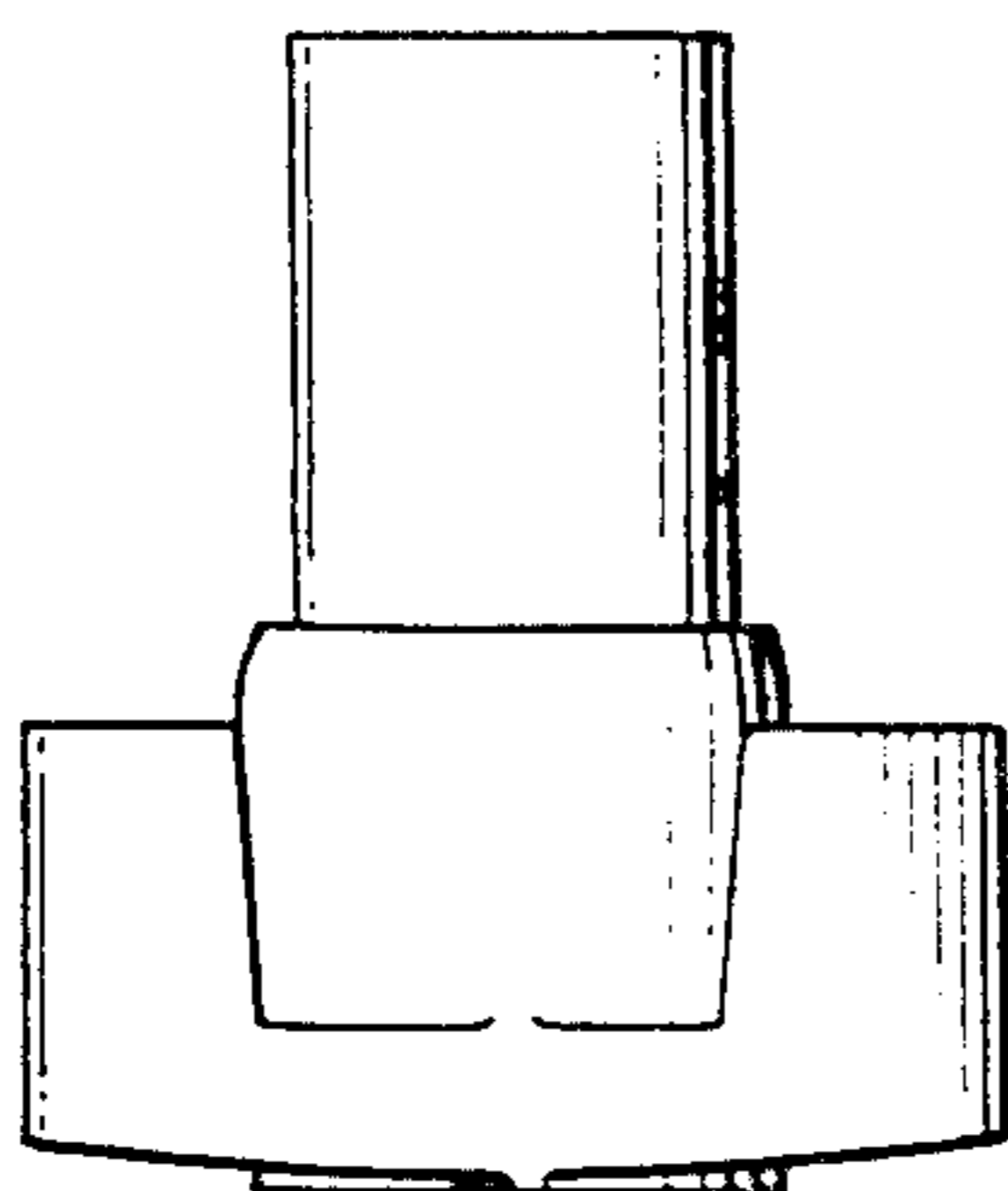


Fig. 7

