

[54] WATERING CAN

[76] Inventor: Arthur R. Carlson, 401A Waverley Rd., East Malvern, Victoria 3144, Australia

[**] Term: 14 Years

[21] Appl. No.: 490,877

[22] Filed: May 2, 1983

[30] Foreign Application Priority Data

Nov. 12, 1982 [AU] Australia 2126/82

[52] U.S. Cl. D23/11; D9/374

[58] Field of Search D9/374, 376, 378; 215/1 R, 1 C; D23/11; D7/312, 318, 329; D32/53; 239/375-379, 390, 391; 222/565, 567, 572, 573

[56] References Cited

U.S. PATENT DOCUMENTS

- D. 194,633 2/1963 Platte D9/374
- D. 205,479 8/1966 Certo et al. D9/374
- D. 227,345 6/1973 Bell et al. D9/374
- D. 241,032 8/1976 Burke et al. D23/11

- D. 256,152 7/1980 Darnell D23/11
- D. 266,018 8/1982 Dilyard D23/11
- D. 270,237 8/1983 Hestehave D9/374 X
- 453,530 6/1891 Baker et al. 239/391 X
- 1,702,523 2/1929 Schafer 239/377
- 3,648,933 3/1972 Grotz 239/377

FOREIGN PATENT DOCUMENTS

- 569473 8/1958 Belgium 239/377
- 845467 8/1960 United Kingdom 239/377

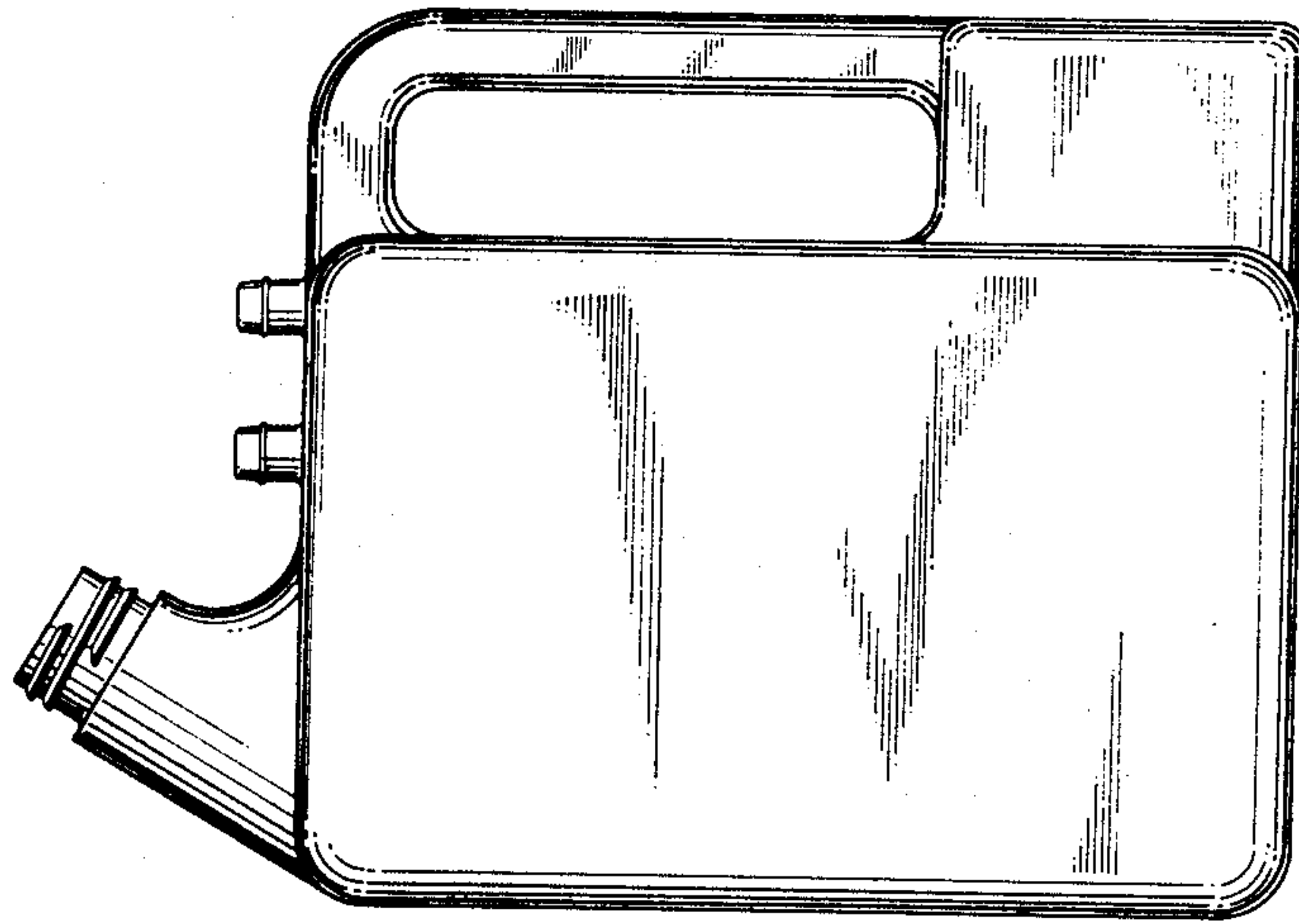
Primary Examiner—Robert C. Spangler
Attorney, Agent, or Firm—Trexler, Bushnell & Wolters

[57] CLAIM

The ornamental design for a watering can, as shown and described.

DESCRIPTION

FIG. 1 is a front elevational view of a watering can showing my new design;
FIG. 2 is a top plan view;
FIG. 3 is a side elevational view and
FIG. 4 is a front perspective view thereof.
The bottom is plain, and the rear is semicylindrical and plain.



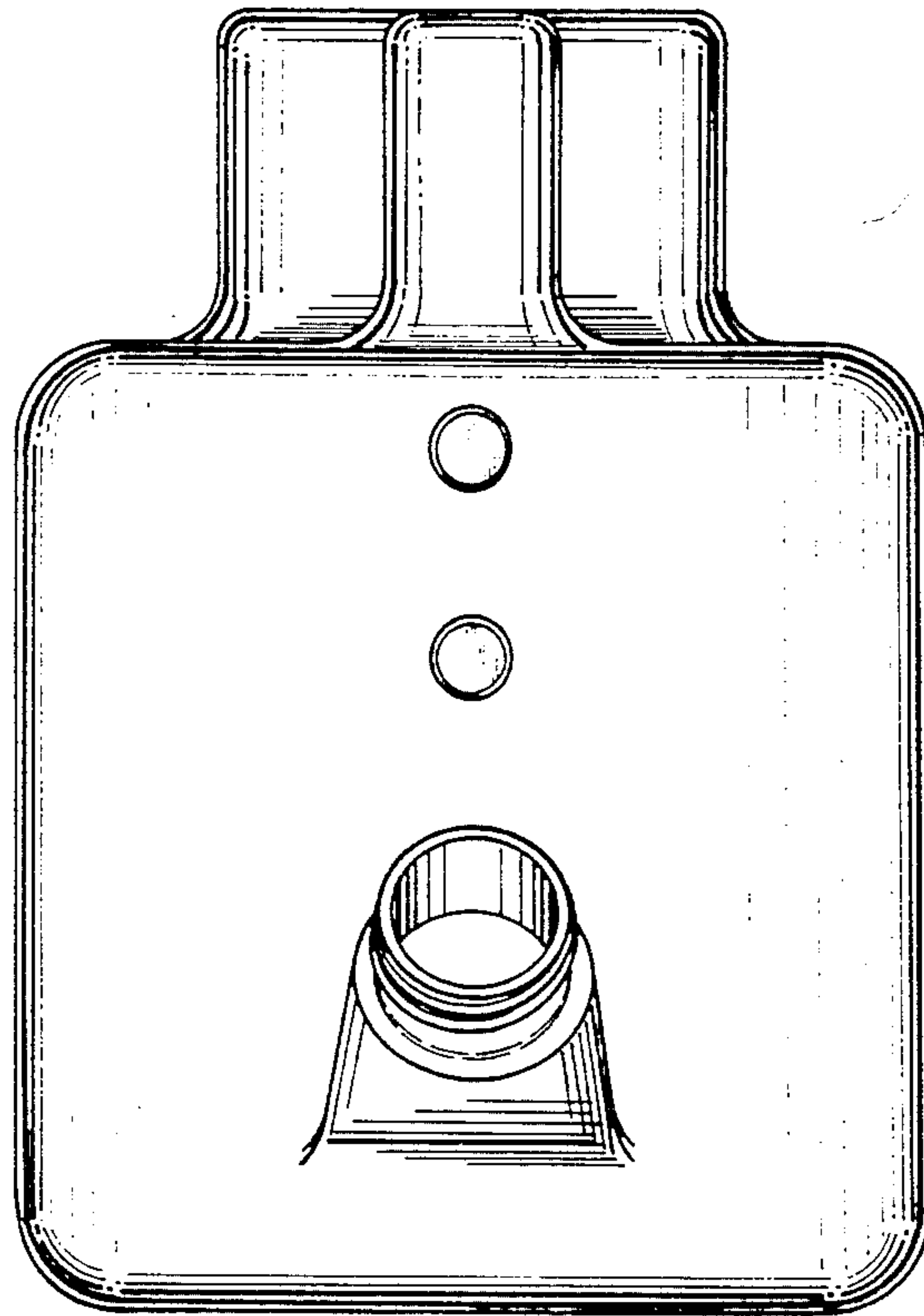


FIG. 1

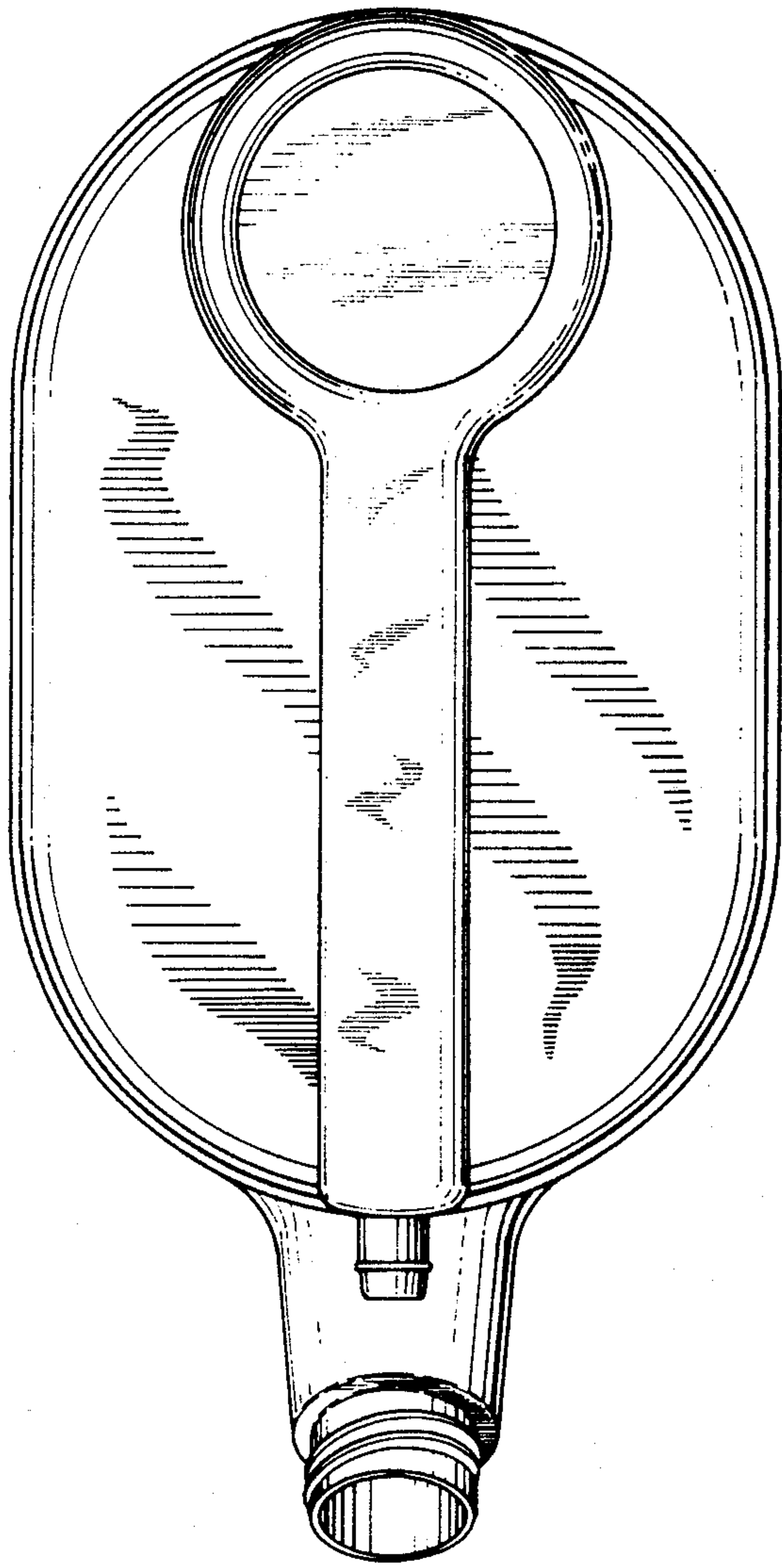


FIG. 2

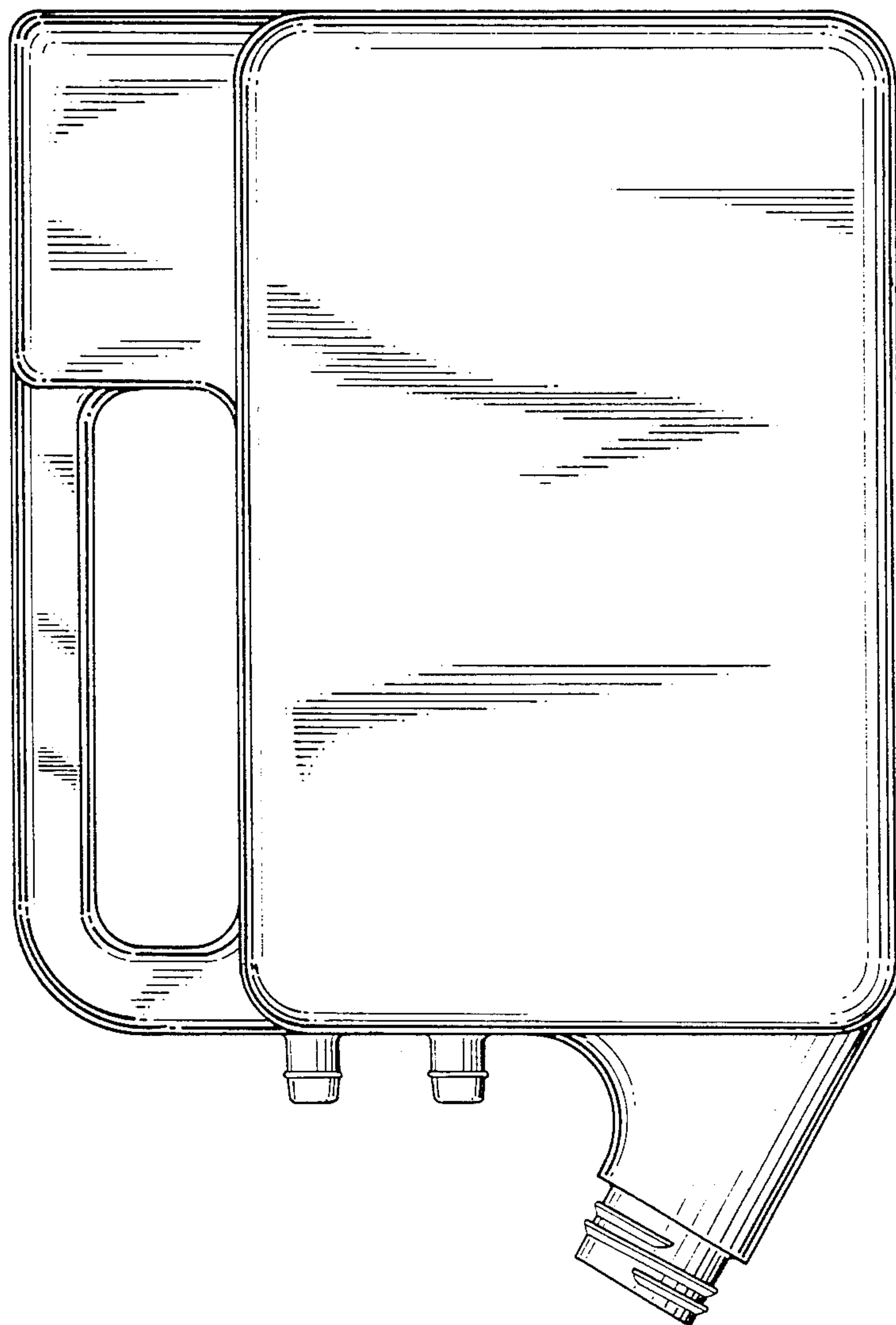


FIG. 3

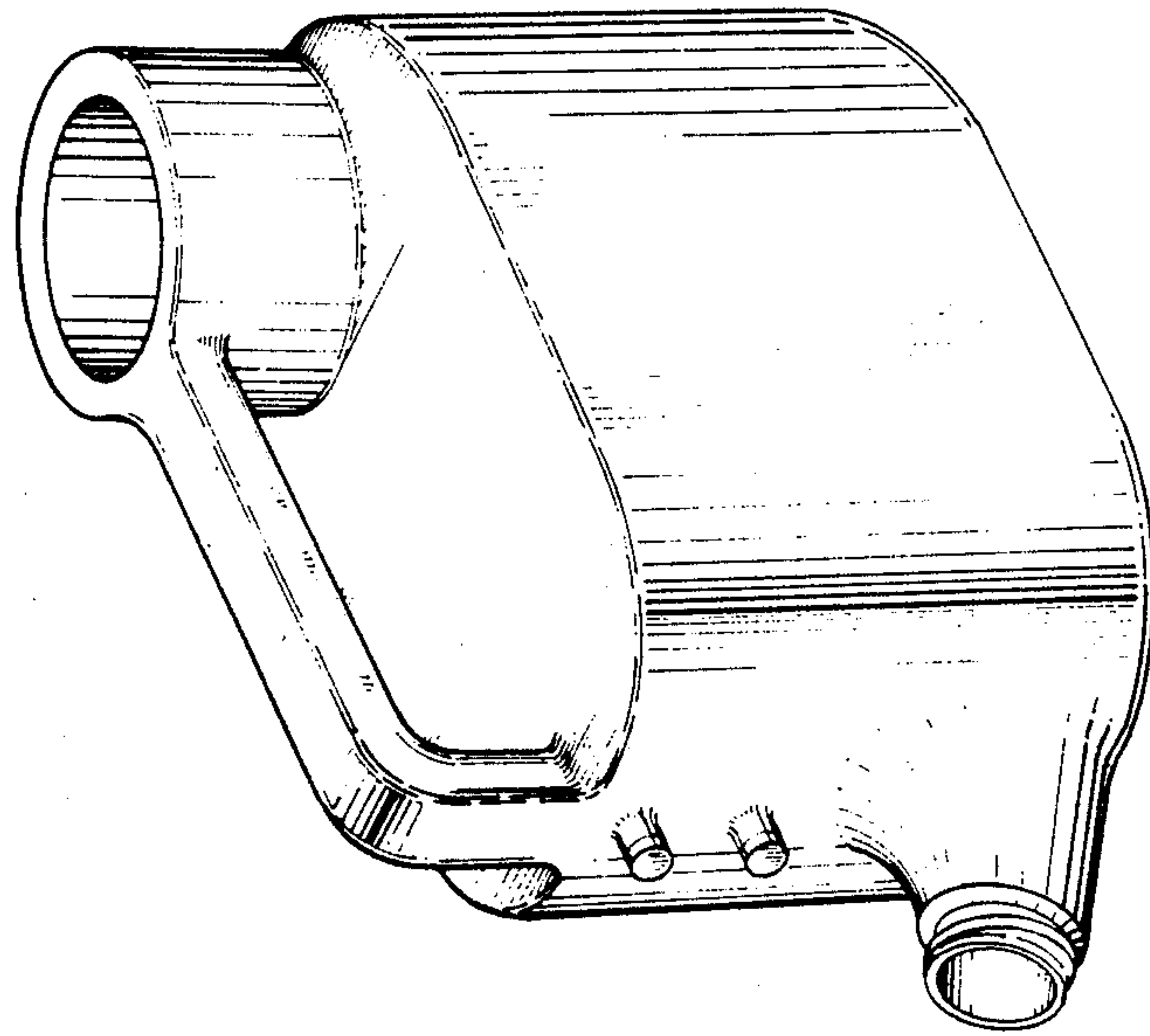


FIG. 4