

[54] FISHING REEL

[56] References Cited

[75] Inventors: Etsuo Aota, Higashi-Kurume; Kanji Iinuma; Yasuhisa Kameda, both of Musashino, all of Japan

U.S. PATENT DOCUMENTS

- D. 254,091 1/1980 Jansson et al. D22/25
- D. 260,804 9/1981 Sakamoto et al. D22/25
- 4,203,565 5/1980 Puryear 242/84.1 R
- 4,369,930 1/1983 Noda 242/81.1 J

[73] Assignee: Daiwa Seiko, Inc., Tokyo, Japan

Primary Examiner—A Hugo Word
Attorney, Agent, or Firm—Birch, Stewart, Kolasch & Birch

[**] Term: 14 Years

[57] CLAIM

[21] Appl. No.: 459,895

The ornamental design for a fishing reel, as shown and described.

[22] Filed: Jan. 21, 1983

DESCRIPTION

[30] Foreign Application Priority Data

- Aug. 24, 1982 [JP] Japan 57-38297
- [52] U.S. Cl. D22/25
- [58] Field of Search D22/25; 242/84.1 R, 242/84.1 J, 84.2 R

FIG. 1 is a top, rear and right side perspective view of a reel of the subject new design; FIG. 2 is a front view thereof; FIG. 3 is a rear view thereof; FIG. 4 is a right side view thereof; FIG. 5 is a left side view thereof; FIG. 6 is a top plan view thereof; and FIG. 7 is a bottom plan view thereof.

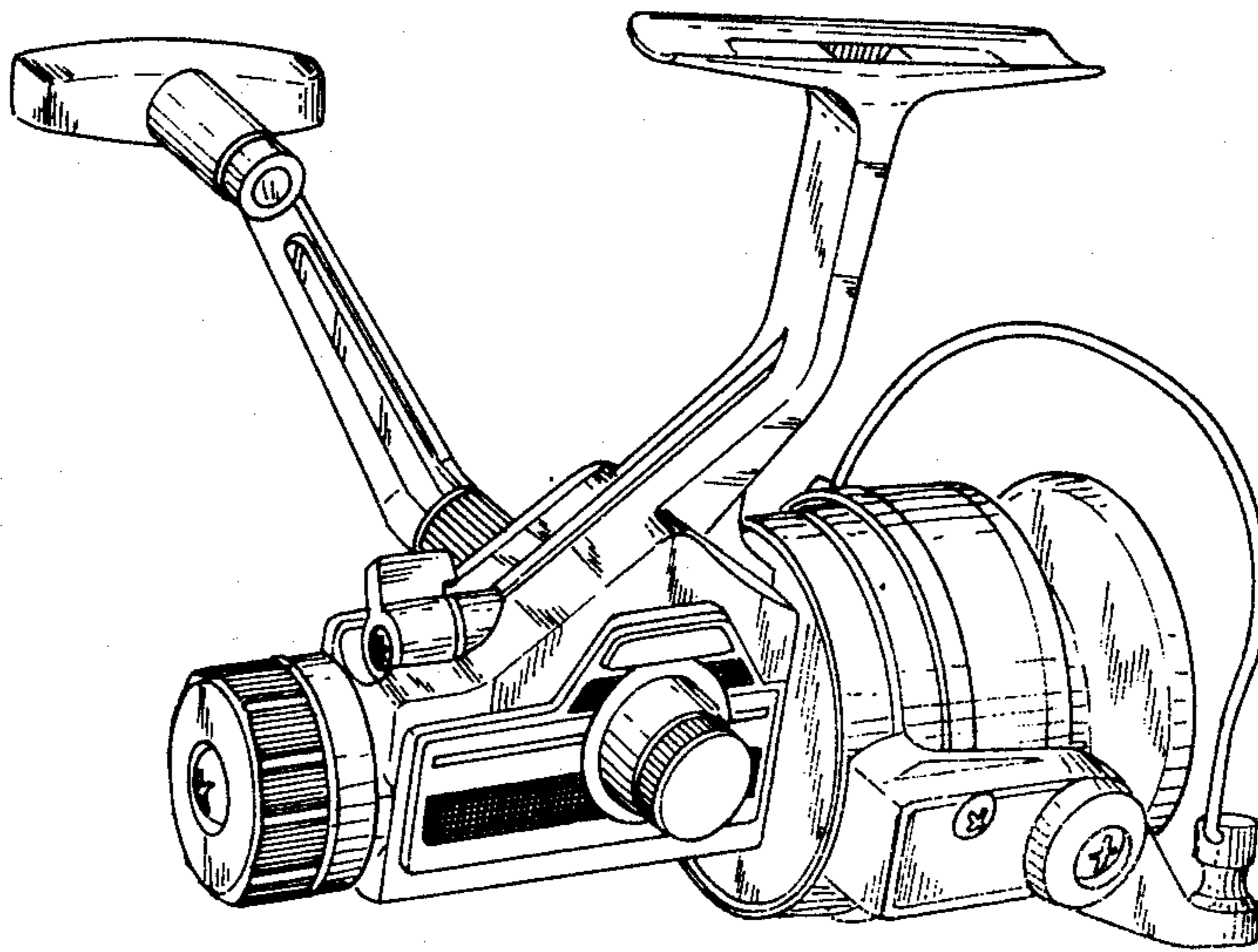


FIG. 1

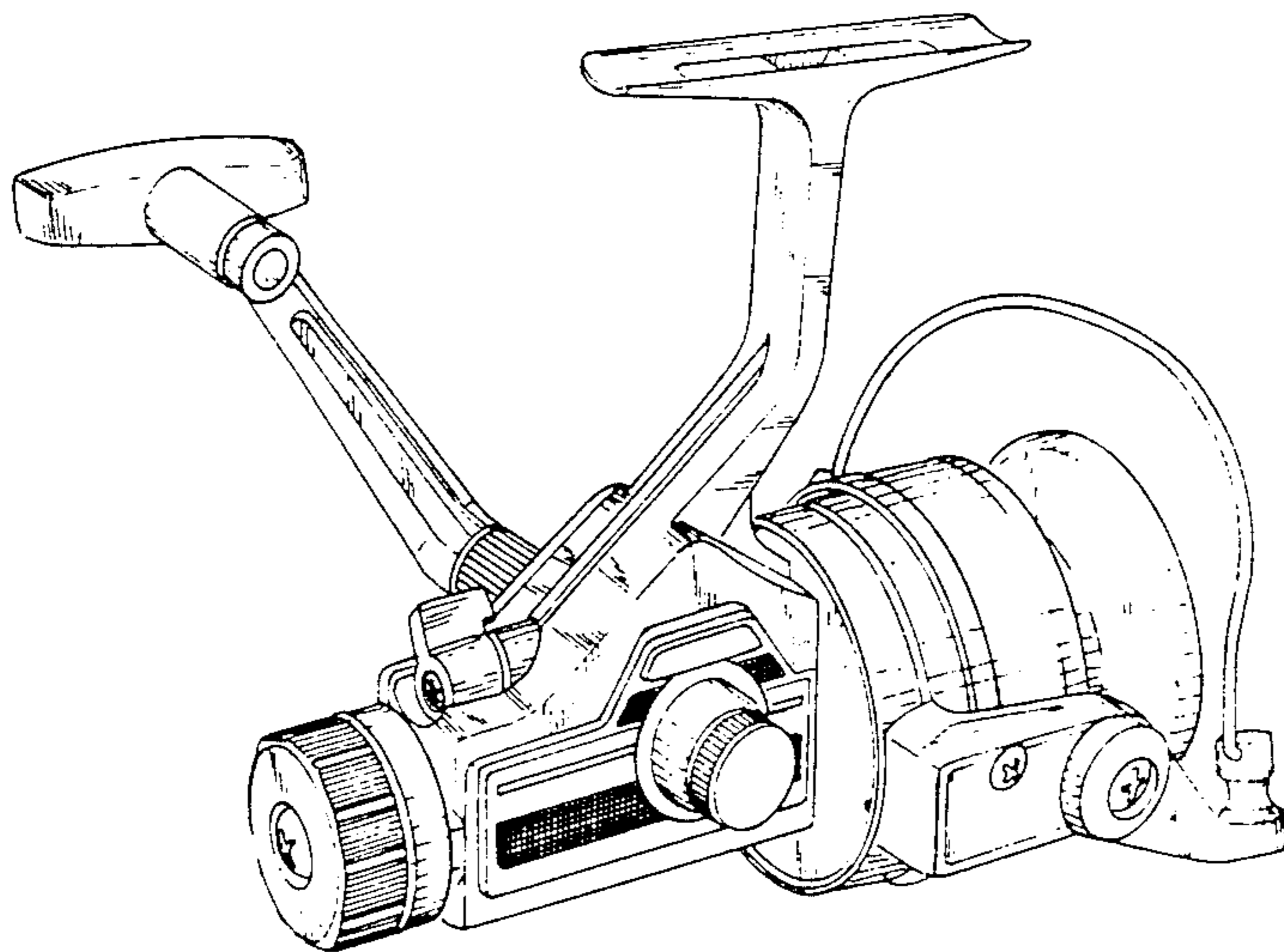


FIG. 2

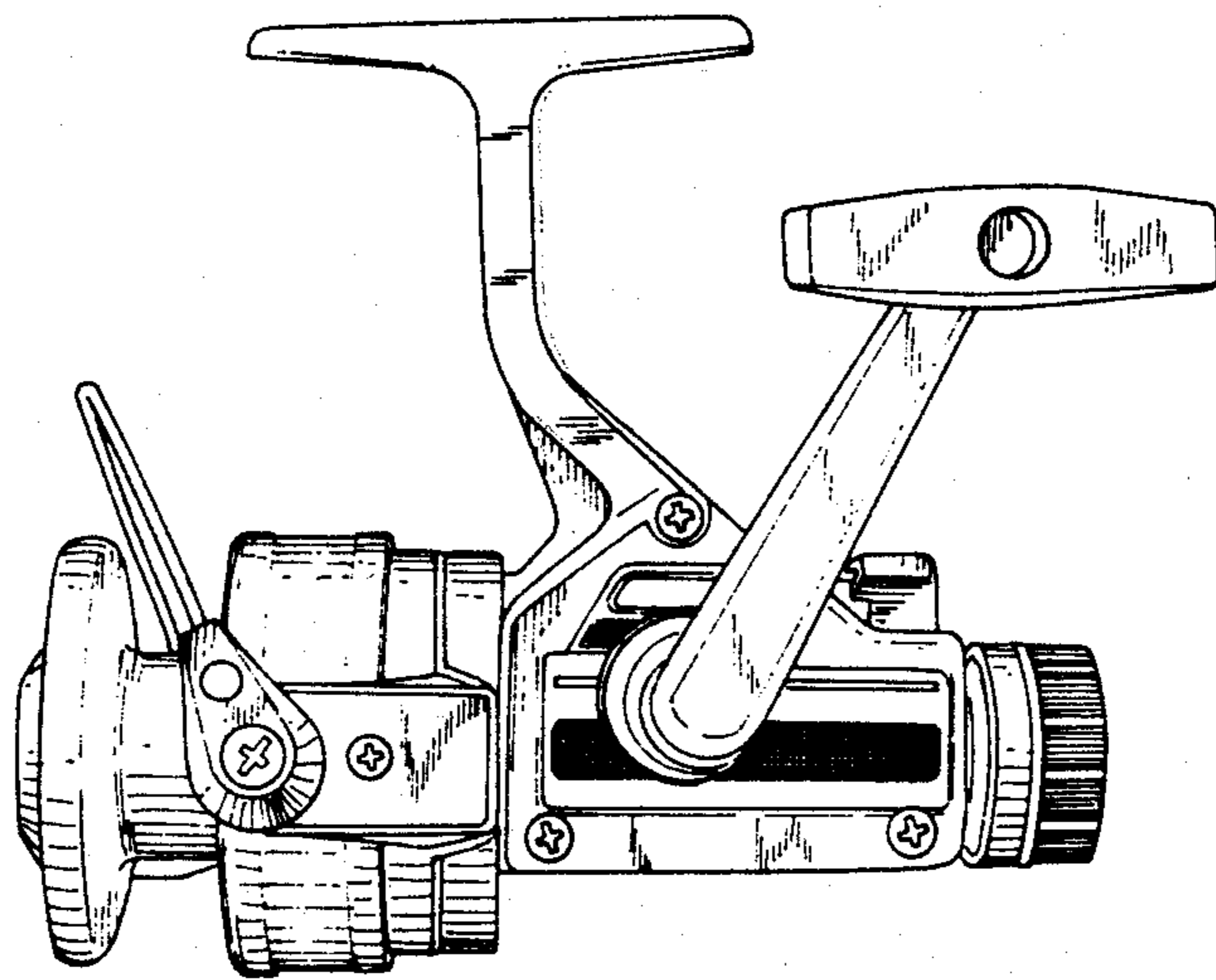


FIG. 3

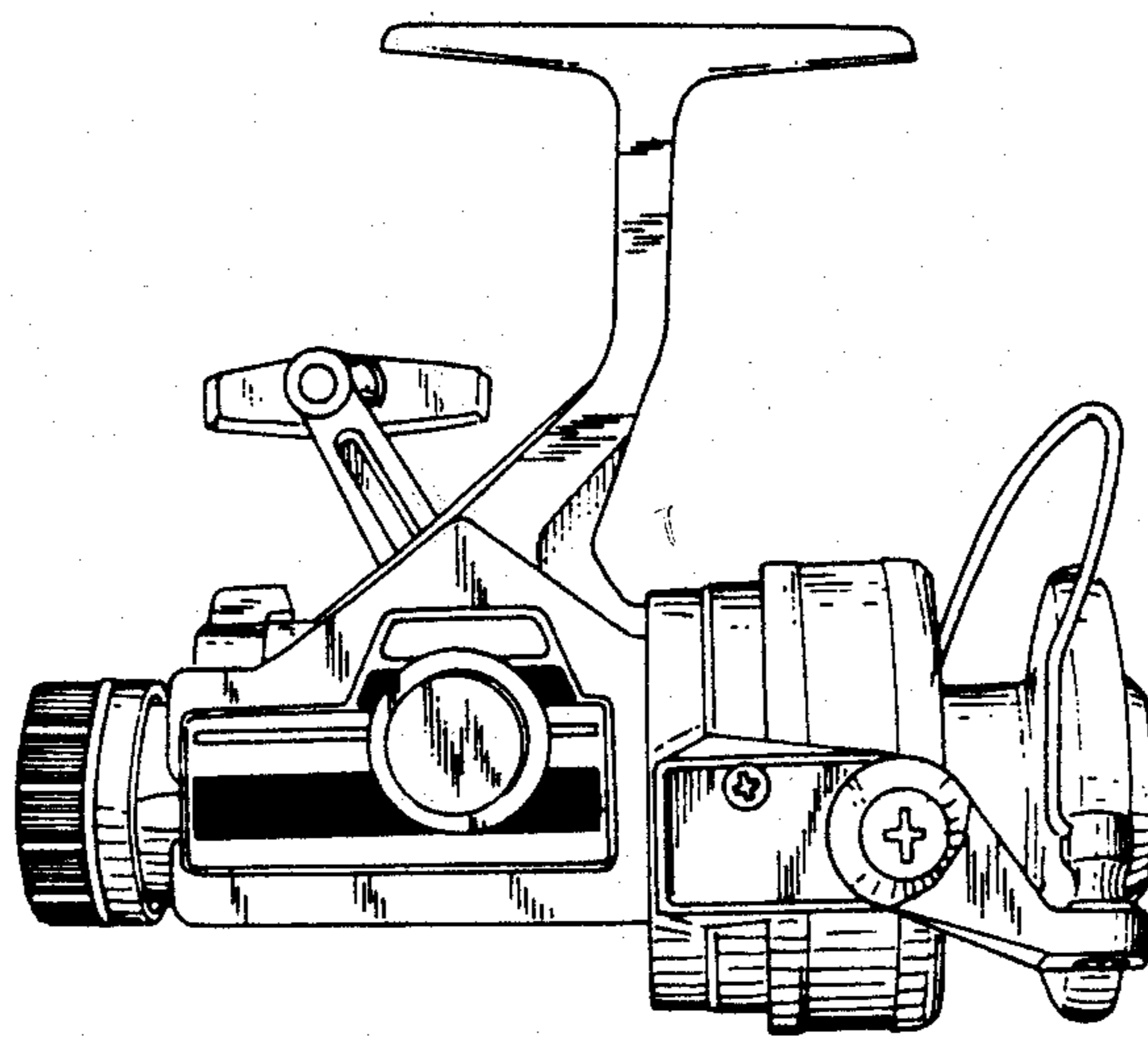


FIG. 4

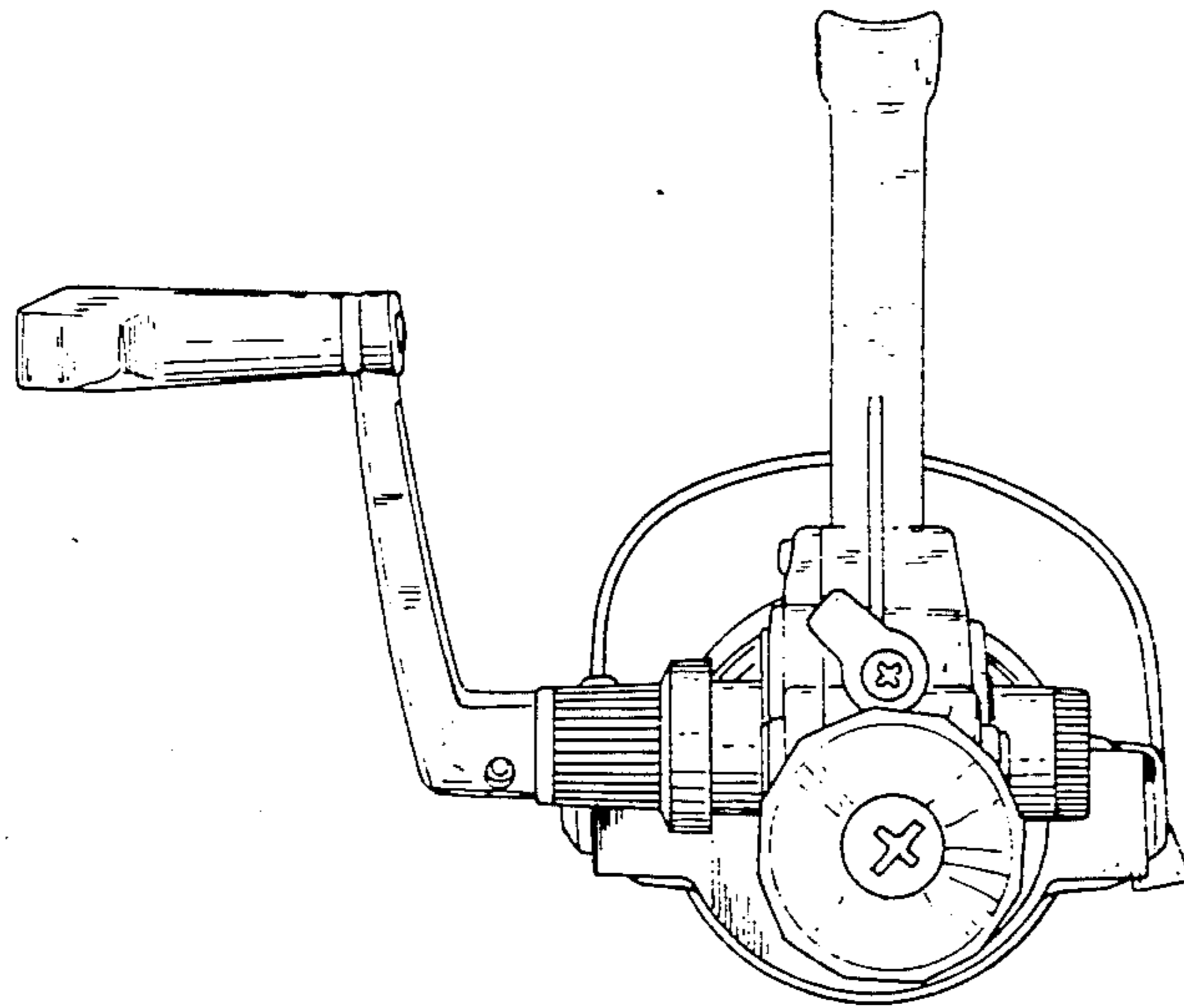


FIG. 5

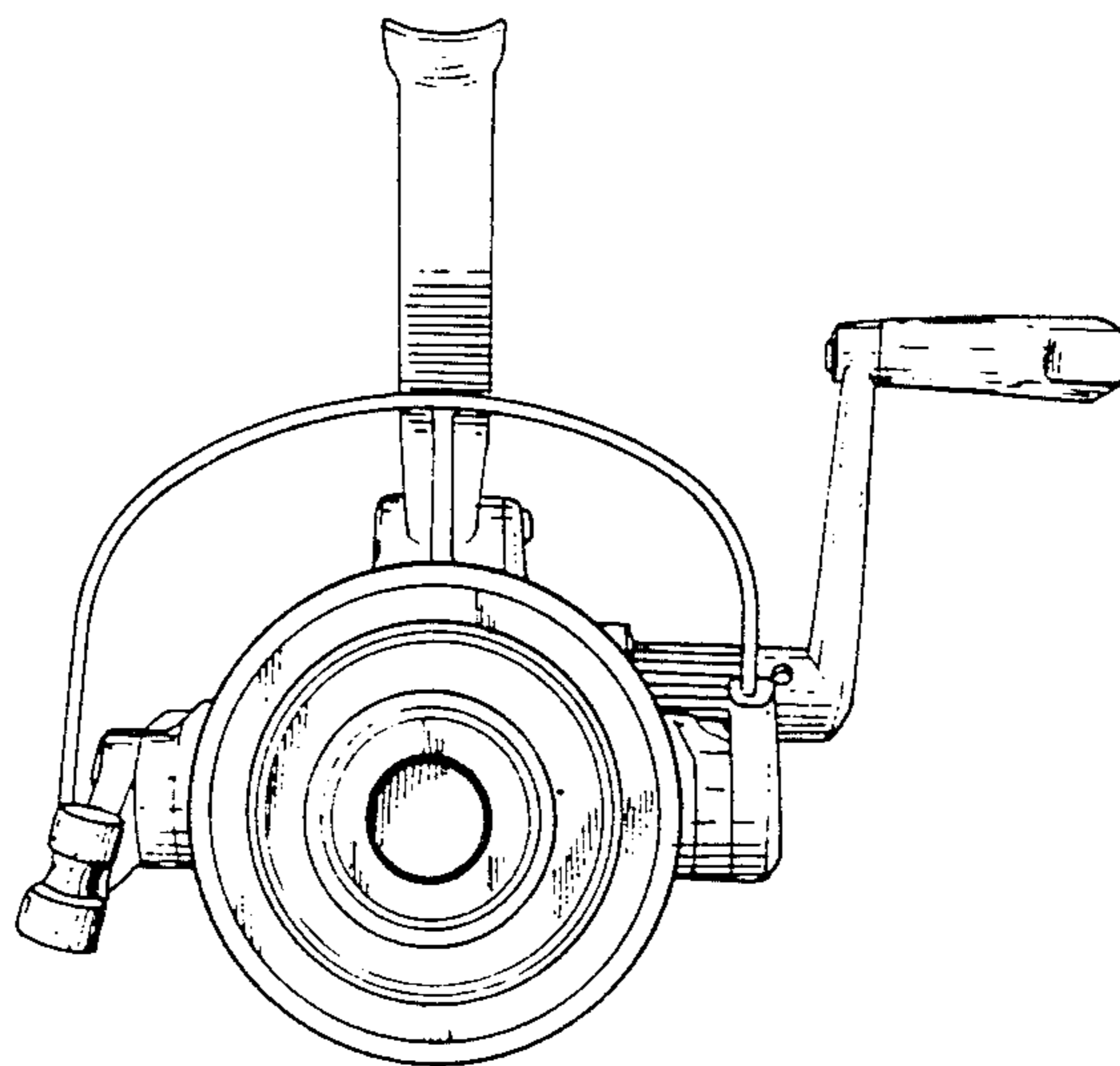


FIG. 6

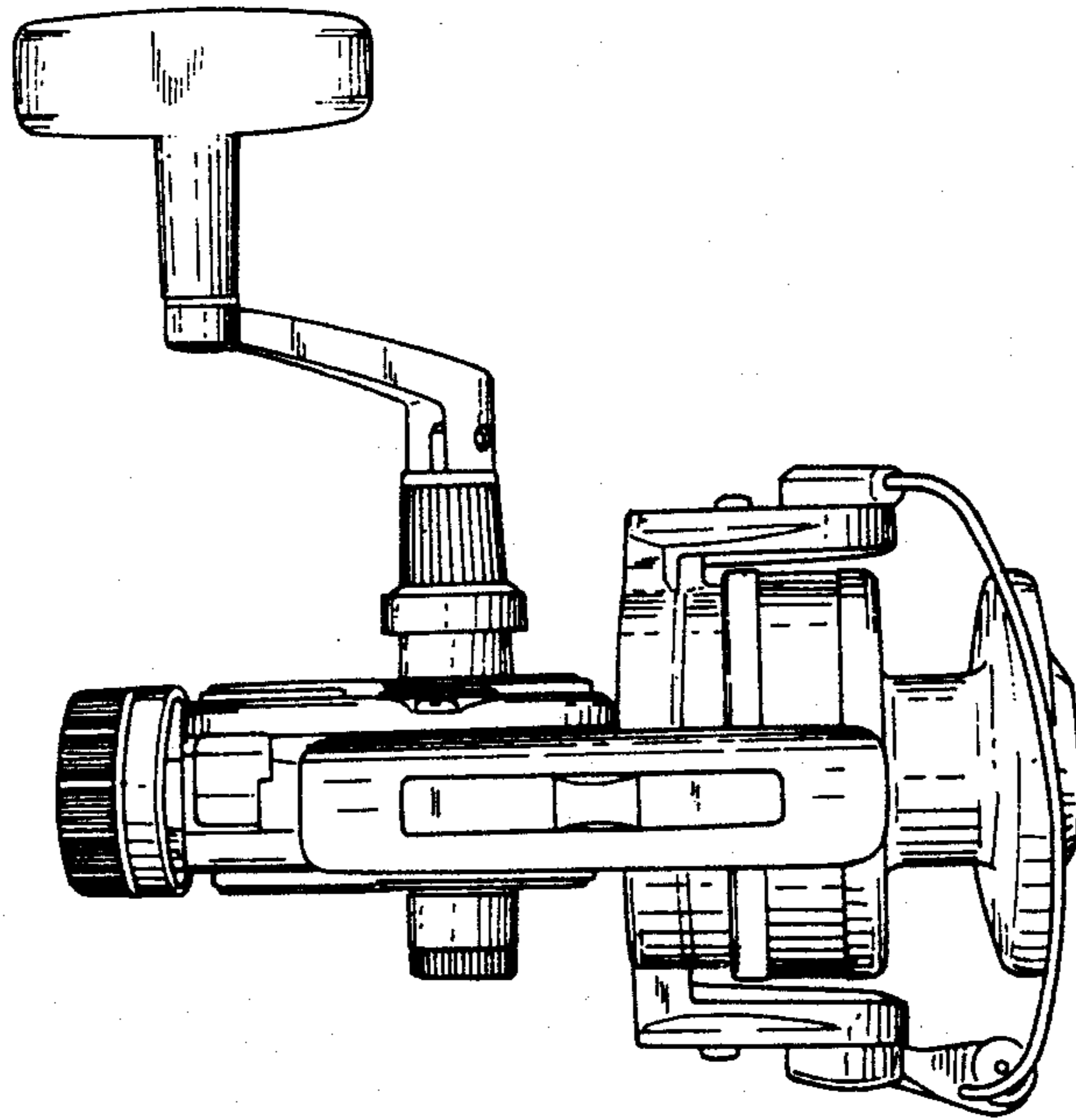


FIG. 7

