

[54] FACIAL EXERCISER

[75] Inventor: Richard P. Arve, Calumet City, Ill.

[73] Assignee: Chin-Up, Chicago, Ill.

[**] Term: 14 Years

[21] Appl. No.: 540,129

[22] Filed: Oct. 7, 1983

[52] U.S. Cl. D21/198; D21/191; D24/41

[58] Field of Search D21/191, 199; D24/41, D24/42, 49; 272/94, 95, 116; 128/802

[56] References Cited

U.S. PATENT DOCUMENTS

- D. 224,547 8/1972 Lund D21/198
- D. 272,090 1/1984 Hosid D24/41

- 2,837,084 6/1958 Brumek D24/41
- 4,280,696 7/1981 Ramon 272/140
- 4,339,124 7/1982 Vogler 272/94

Primary Examiner—Charles A. Rademaker
Attorney, Agent, or Firm—Clement and Ryan

[57] CLAIM

The ornamental design for a facial exerciser, substantially as shown and described.

DESCRIPTION

FIG. 1 is a perspective view of a facial exerciser showing my new design;
 FIG. 2 is a side elevational view thereof, the side opposite being a mirror image;
 FIG. 3 is an end elevational view thereof, the end opposite being a mirror image;
 FIG. 4 is a top plan view thereof; and,
 FIG. 5 is a bottom plan view thereof.

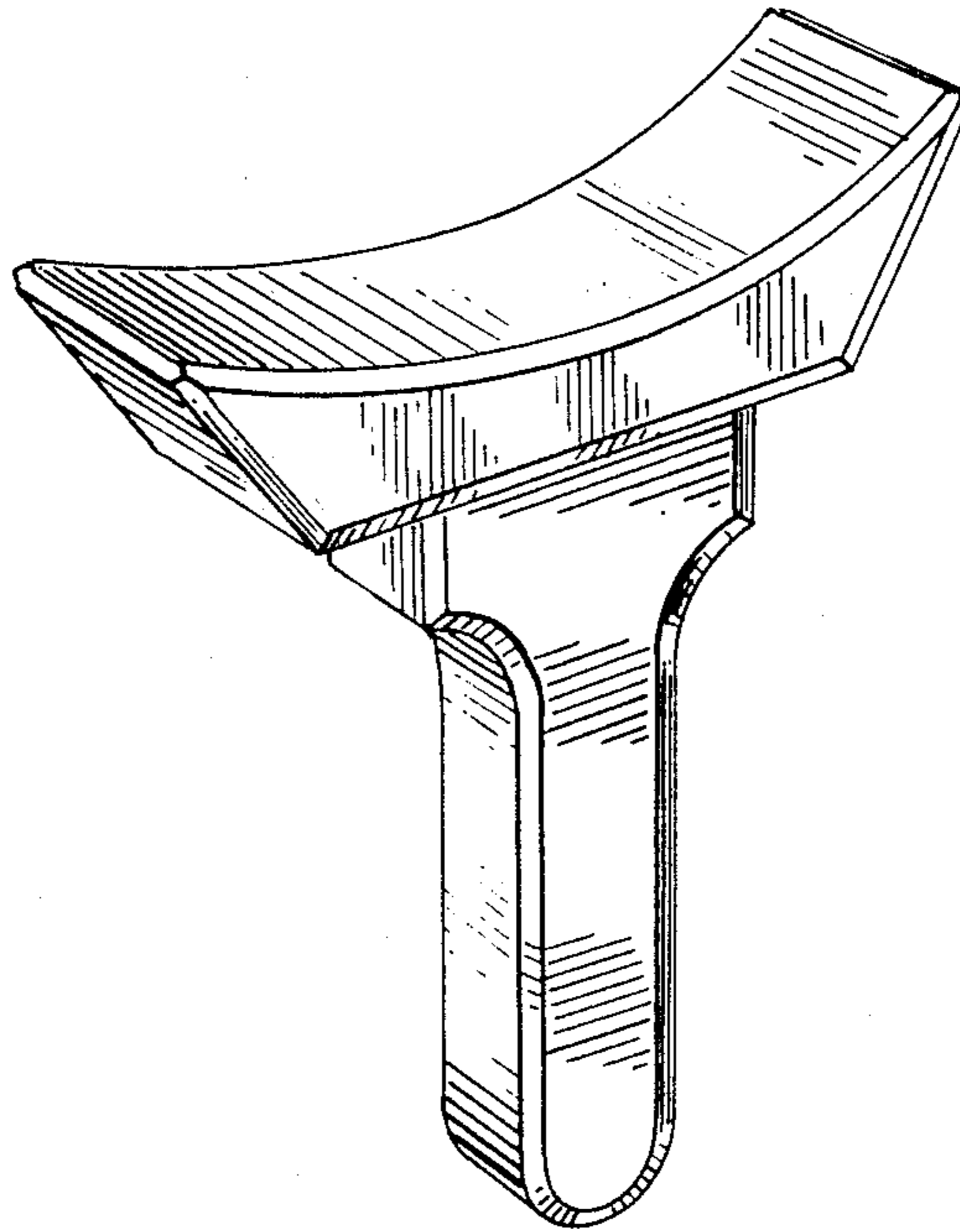


FIG. 1

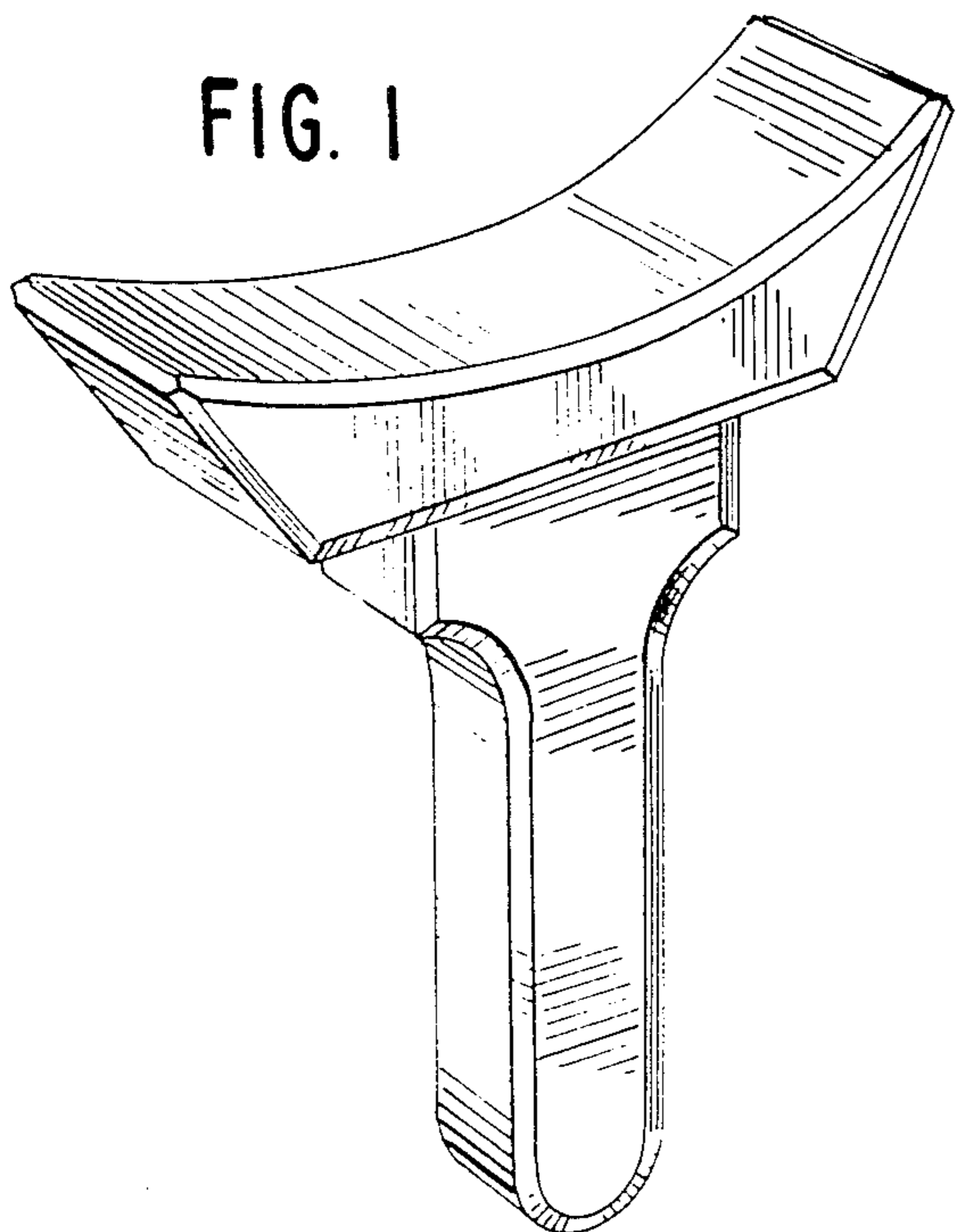


FIG. 4

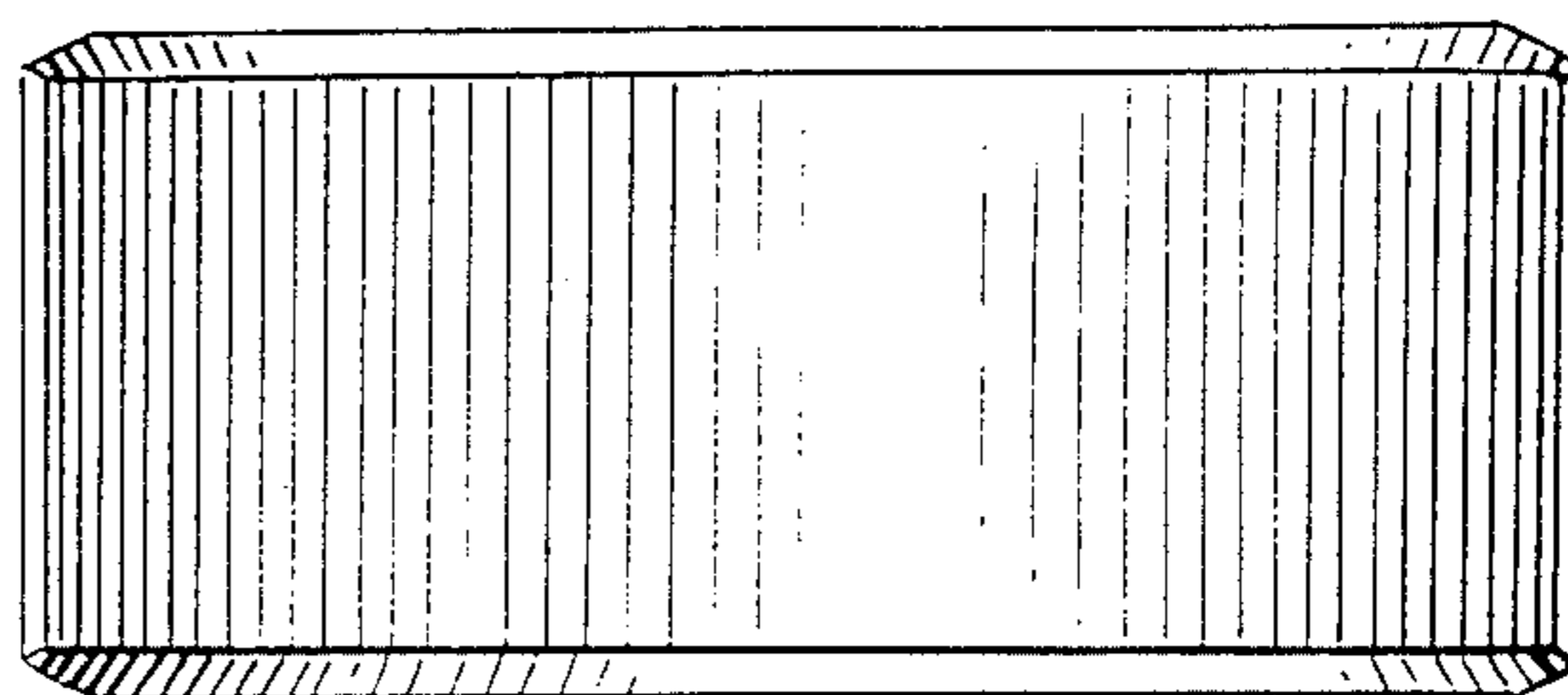


FIG. 3

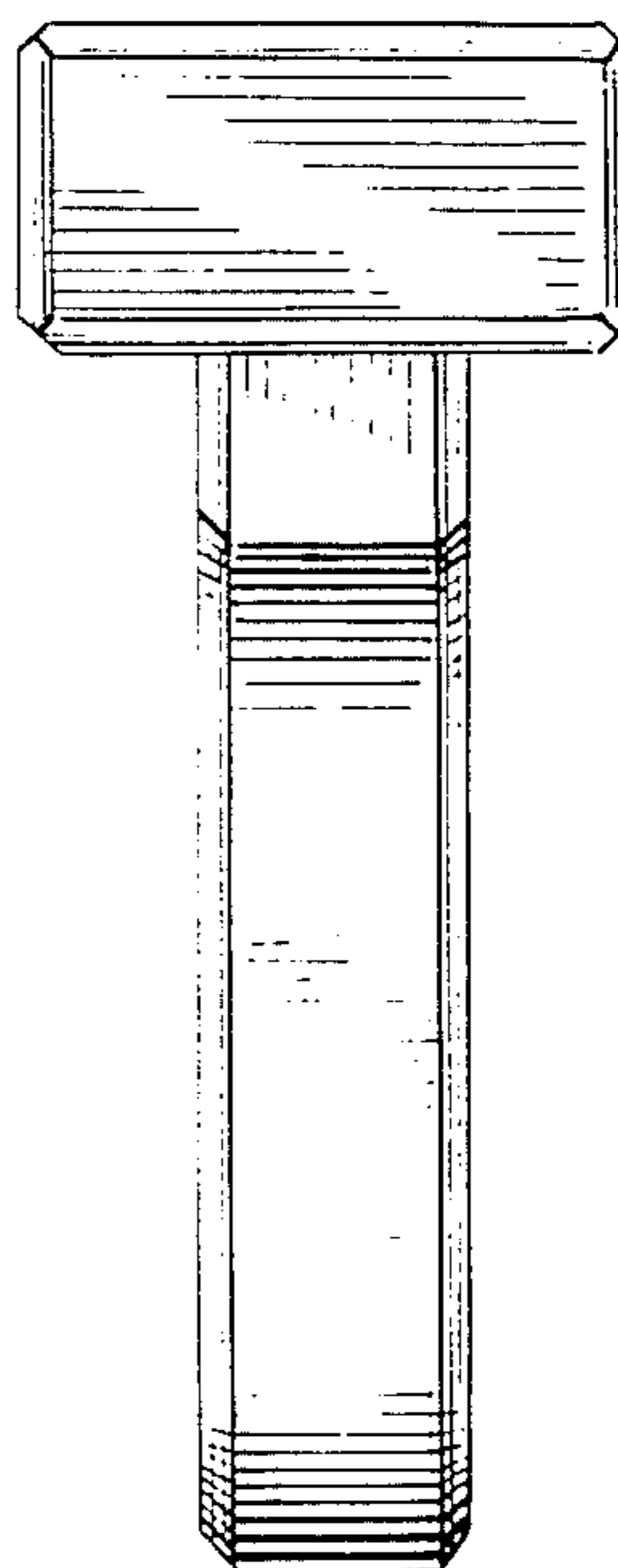


FIG. 2

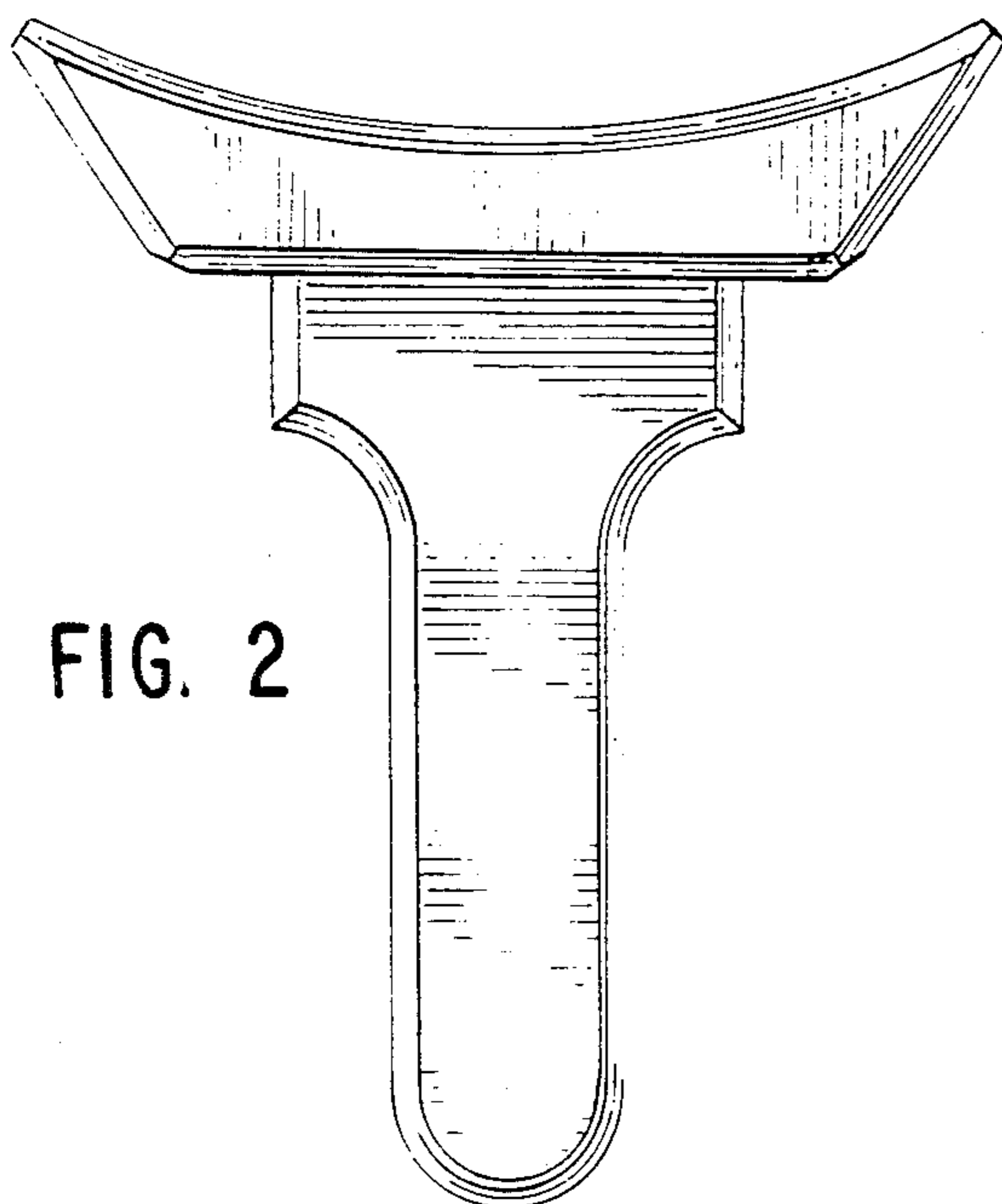


FIG. 5

