

[54] MATERIAL SPREADER

[75] Inventors: Charles W. Doering; Arthur N. BecVar, both of Louisville, Ky.

[73] Assignee: Brinly-Hardy Co., Inc., Louisville, Ky.

[**] Term: 14 Years

[21] Appl. No.: 566,505

[22] Filed: Dec. 29, 1983

[52] U.S. Cl. D15/13

[58] Field of Search D15/10, 13, 19; 239/685

[56] References Cited

U.S. PATENT DOCUMENTS

D. 202,057	8/1965	Bylsma	D15/13
D. 206,813	1/1967	Vissers	D15/13
3,041,076	6/1962	Lely et al.	239/685
3,232,626	2/1966	Polzin	239/685
3,304,093	2/1967	Lely	239/685
4,032,074	6/1977	Amerine	239/685
4,281,780	4/1981	Lagani, Jr.	

OTHER PUBLICATIONS

Hardware Age, 1/1982, p. 55, Spreader located in lower right corner.

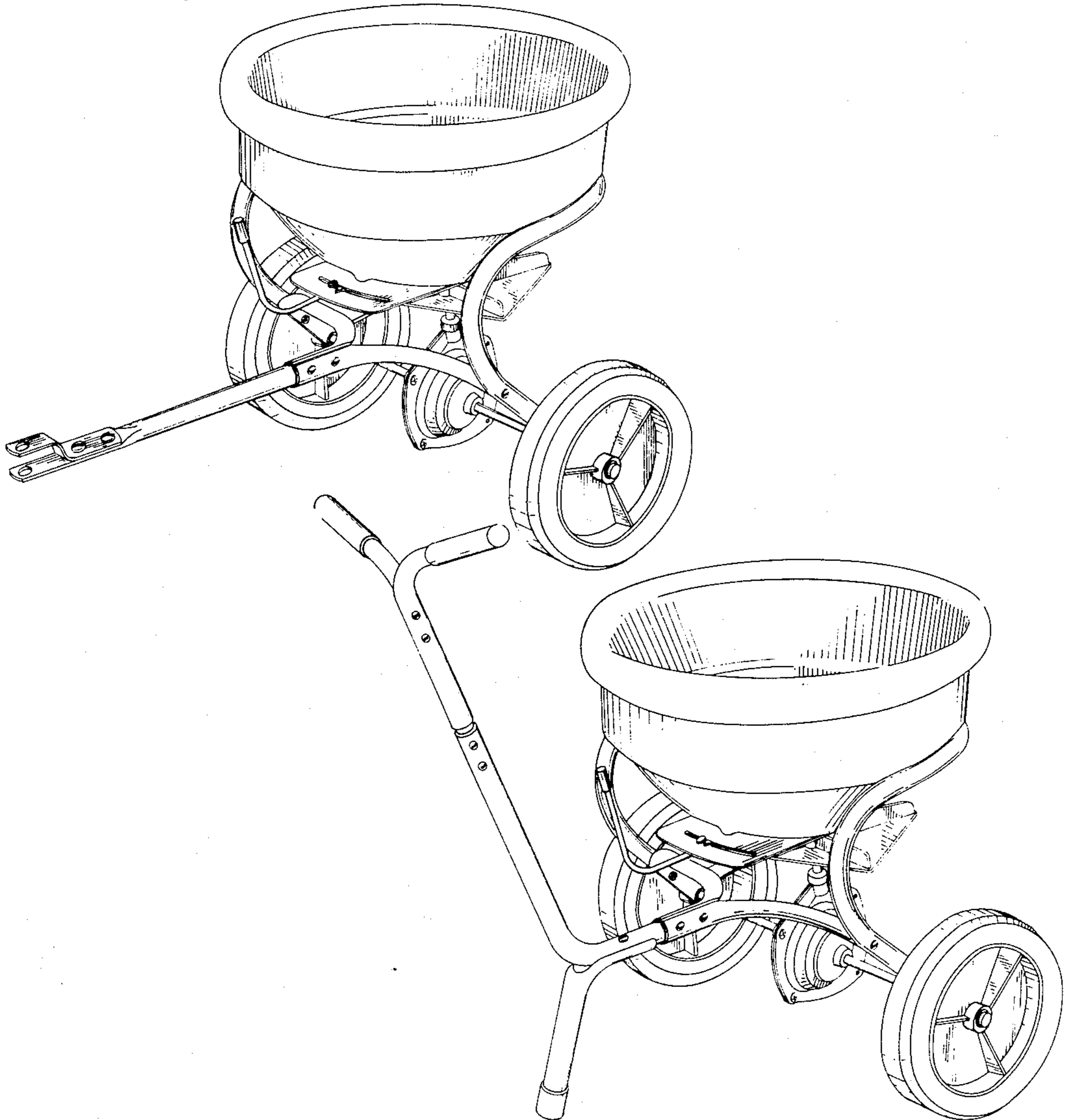
Primary Examiner—Wallace R. Burke
Assistant Examiner—Suzanne N. Gitlin
Attorney, Agent, or Firm—Frank C. Leach, Jr.

[57] CLAIM

The ornamental design for a material spreader, substantially as shown and described.

DESCRIPTION

FIG. 1 is a reduced right side perspective view of a material spreader showing our new design; FIG. 2 is a front elevational view thereof; FIG. 3 is a right side elevational view thereof; FIG. 4 is an enlarged top plan view thereof; FIG. 5 is an enlarged bottom plan view thereof; FIG. 6 is a reduced right side perspective view of a second embodiment of FIG. 1. In FIGS. 3-5, the hitch is shown broken away for ease of illustration.



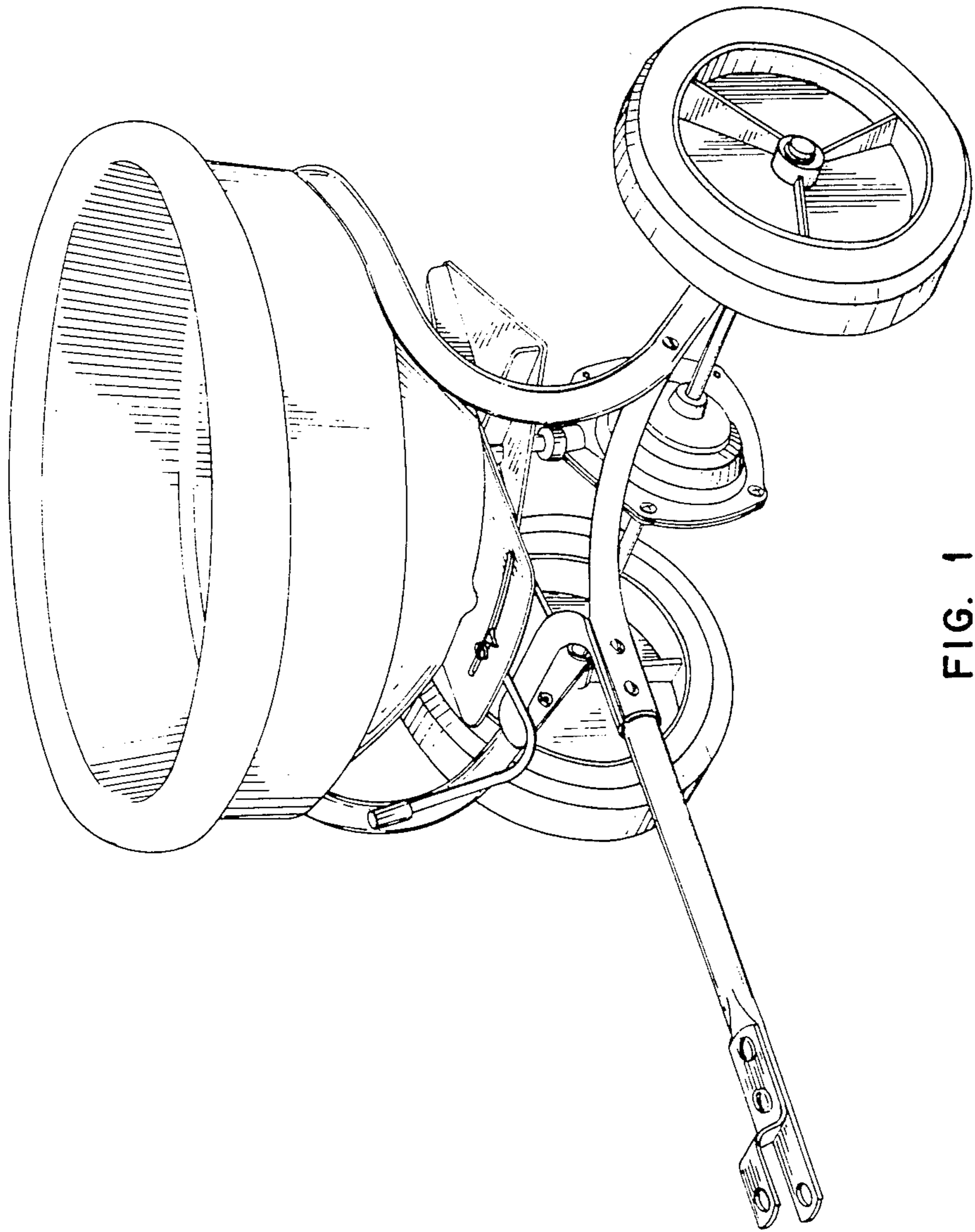


FIG. 1

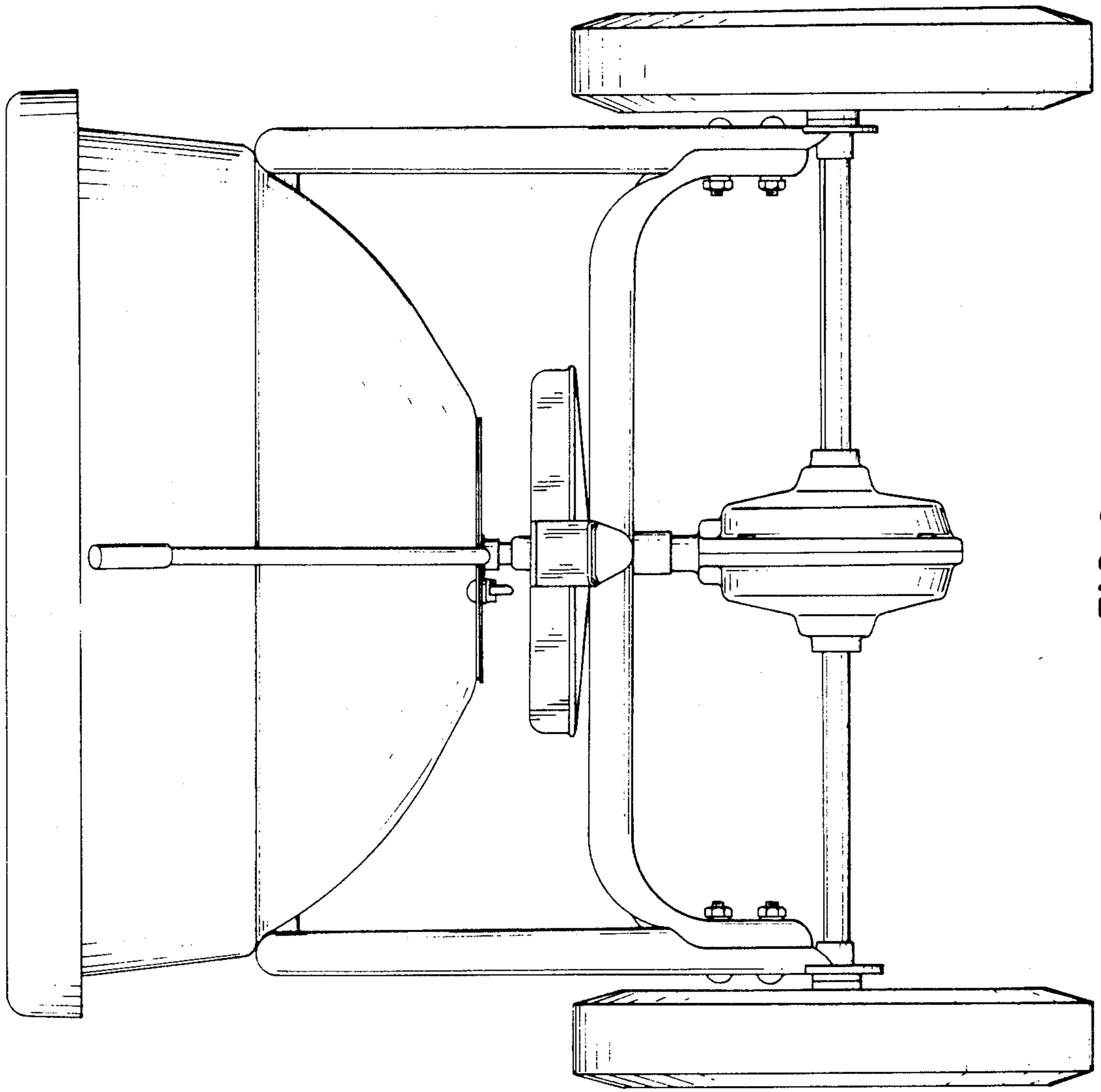


FIG. 2

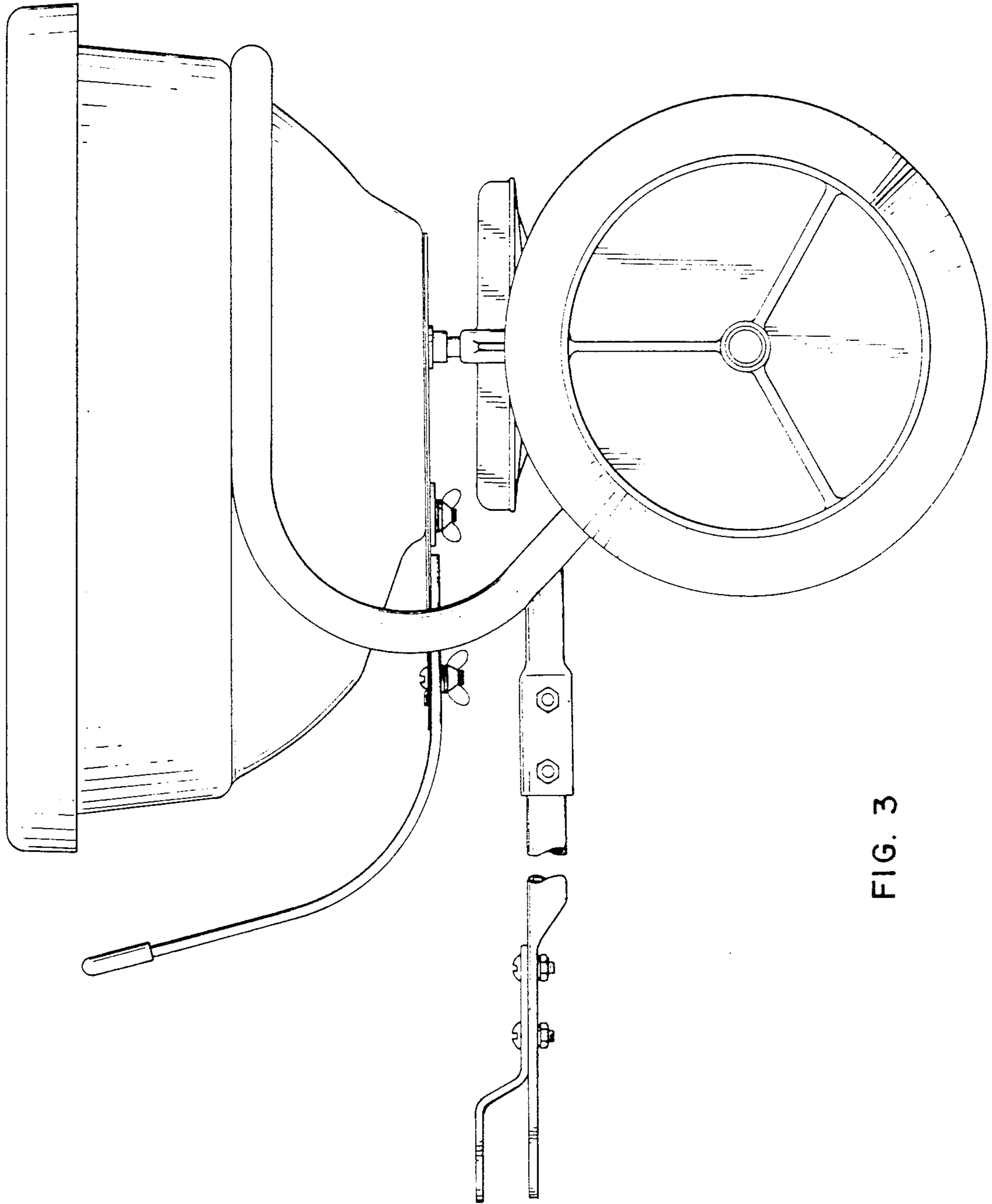


FIG. 3

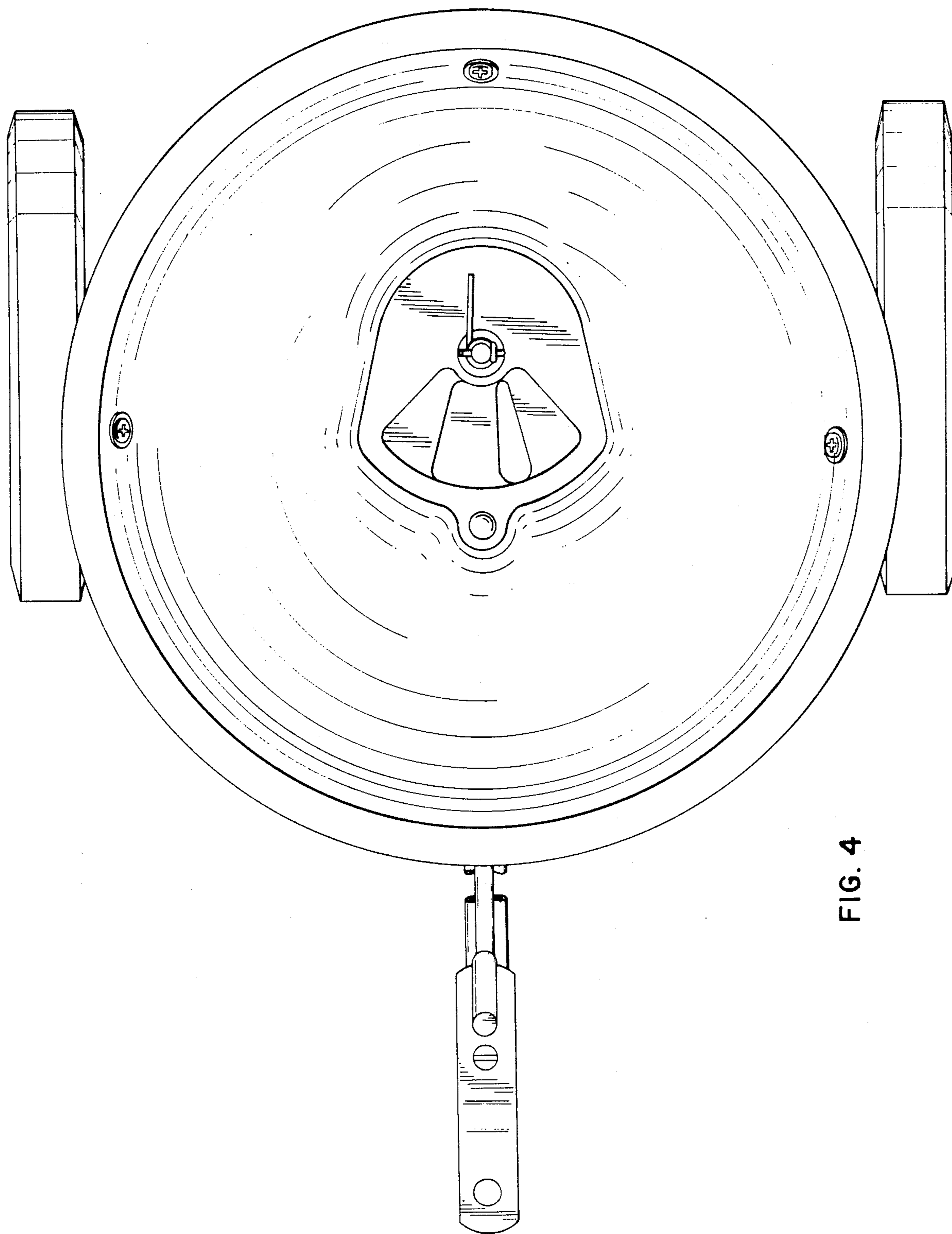


FIG. 4

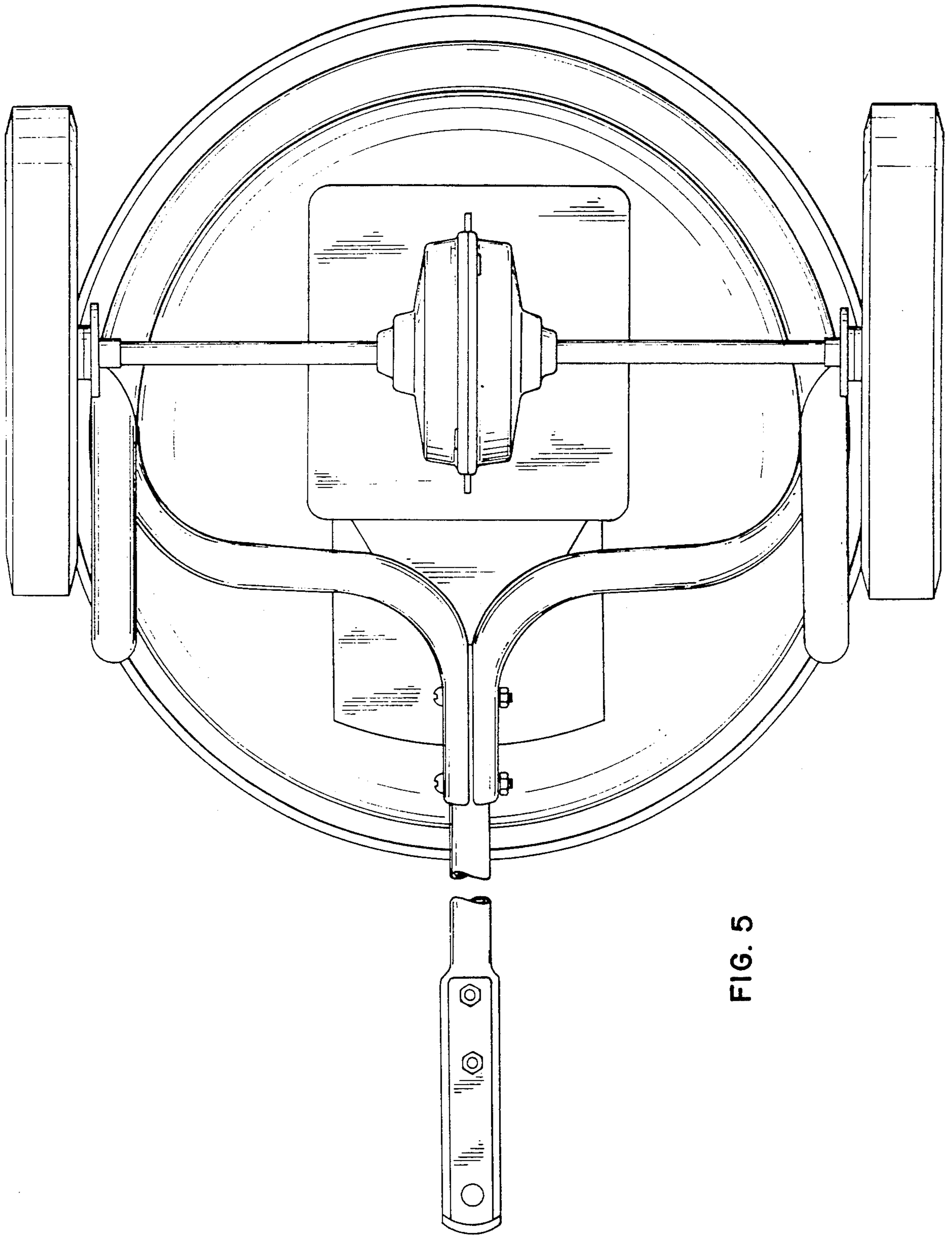


FIG. 5

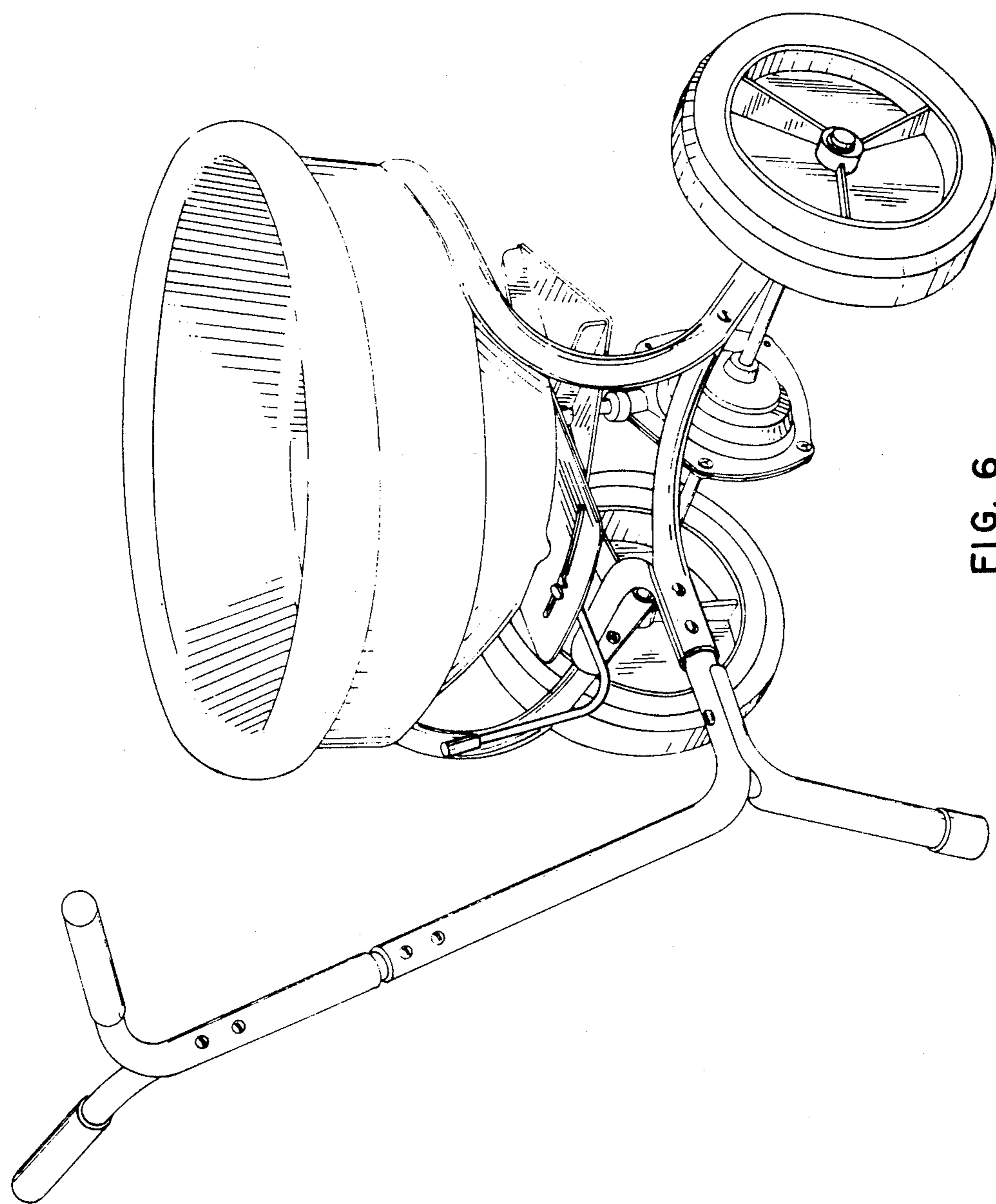


FIG. 6