

[54] TELEPHONE INSTRUMENT

[75] Inventors: William R. Story, Mission Viejo; Larry G. Hickey, Laguna Hills; David A. Sharbaugh, Irvine, all of Calif.

[73] Assignee: GTE Business Communication Systems Inc., Northlake, Ill.

[**] Term: 14 Years

[21] Appl. No.: 532,948

[22] Filed: Sep. 16, 1983

[52] U.S. Cl. D14/53; D14/62; D14/60; D14/63

[58] Field of Search D14/52, 53, 56, 57, D14/58, 60, 62, 63, 64; 174/179, 100 R, 100 C, 100 D, 101, 102, 103

[56] References Cited

U.S. PATENT DOCUMENTS

- D. 189,580 1/1961 Cannon D14/62
D. 197,281 1/1964 Dreyfuss et al. D14/62
D. 237,505 11/1975 Thies D4/58
D. 243,961 4/1977 Buchin et al. D14/58
D. 244,617 6/1977 Breger D14/53
D. 245,843 9/1977 Hirasawa et al. D14/57
D. 247,988 5/1978 Tomita D14/53
D. 248,649 7/1978 Breger D14/53
D. 254,067 1/1980 Janda 179/179
D. 255,570 6/1980 Janda D14/60
D. 255,677 7/1980 Shiono D14/53
D. 258,288 2/1981 Aikawa D14/58
D. 262,879 2/1982 Marshall D14/53

- D. 265,310 7/1982 Kovens D14/53
D. 275,195 8/1984 Endt D14/58
D. 278,904 5/1985 White D14/62

FOREIGN PATENT DOCUMENTS

2326345 12/1974 Fed. Rep. of Germany ... 179/100 R

OTHER PUBLICATIONS

B. A. Pargh Co. Inc., ©1983, at p. 8, Teleconcept, Inc. Desk Phones.

Hong Kong Household, Oct. 1983, "Voice Phone" 128, Lambela Tele-Equipment Ltd., at p. 38.

Honk Kong Enterprises, vol. 9, 1982, at p. 103, John Mfg. E. Orange Wireless Telephone Model.

Primary Examiner—Wallace R. Burke

Assistant Examiner—Horace B. Fay

Attorney, Agent, or Firm—Robert J. Black; Gregory G. Hendricks

[57] CLAIM

The ornamental design for a telephone instrument, as shown and described.

DESCRIPTION

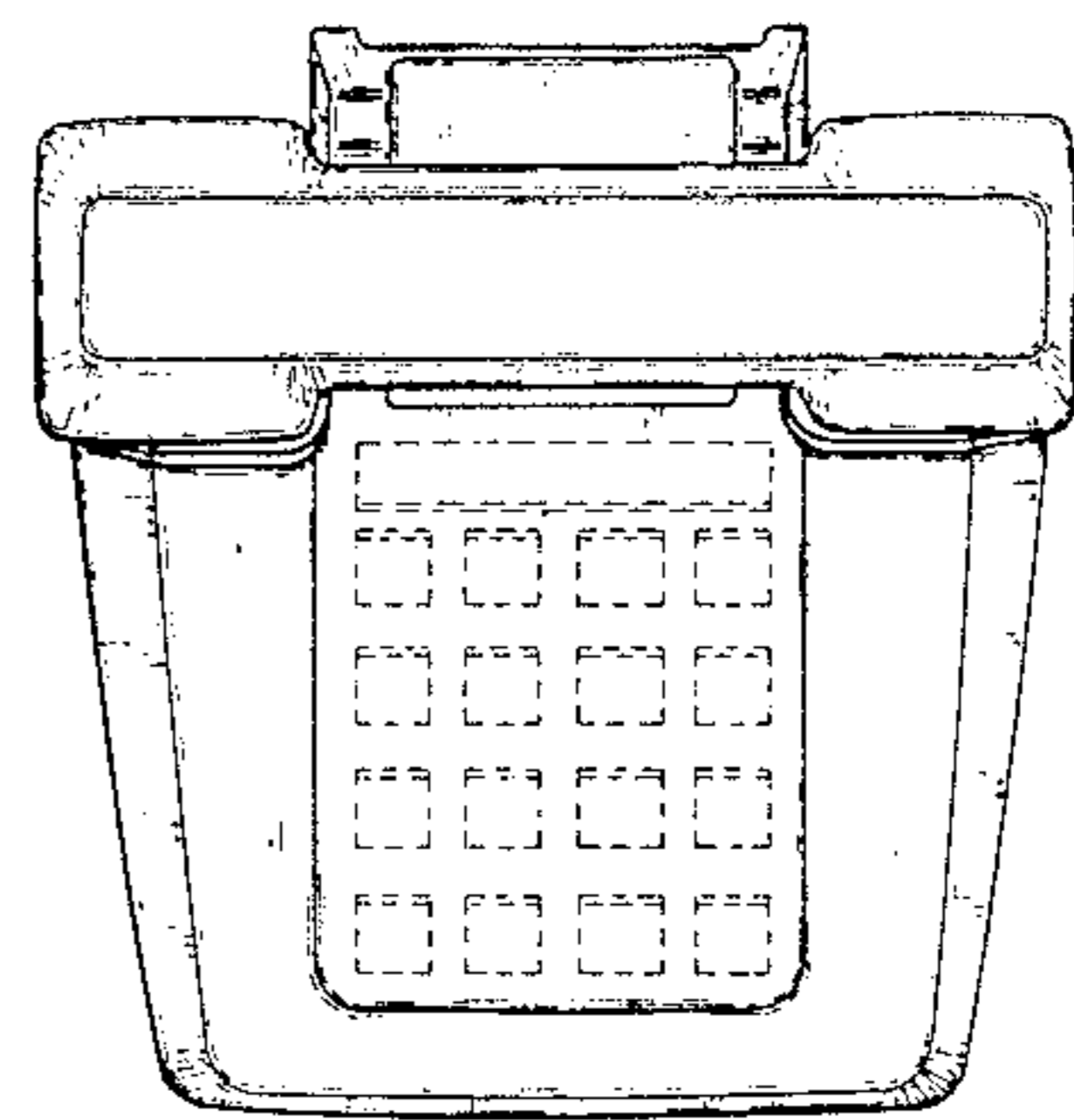
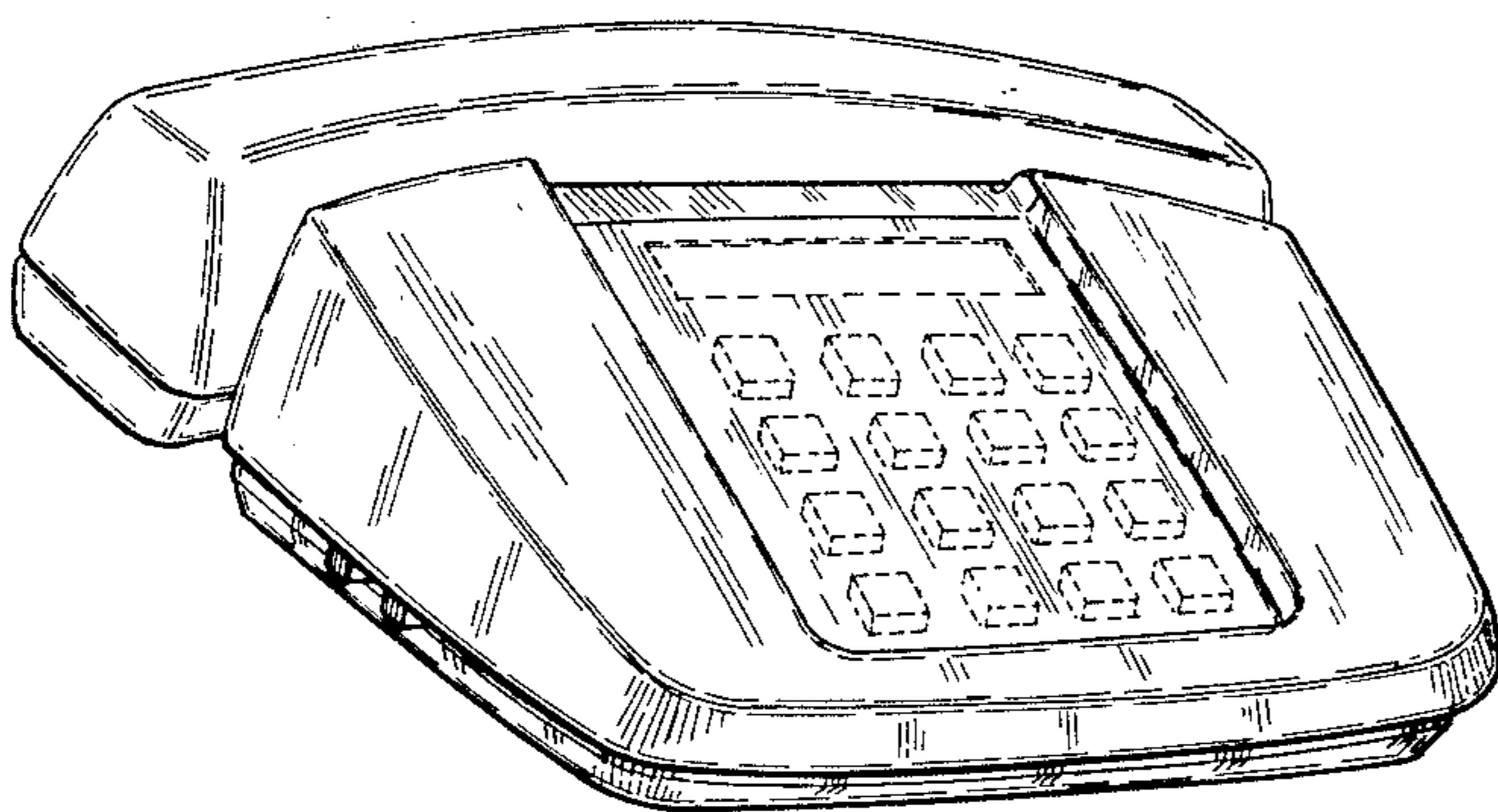
FIG. 1 is a left side, top and front perspective view of a telephone instrument showing our new design;

FIGS. 2 and 3 are respectively front and rear elevational views thereof;

FIG. 4 is a left side elevational view thereof; and

FIG. 5 is a top plan view thereof.

The broken line showing of rectangular panel and push-button keys in FIGS. 1, 2 and 5 is for illustrative purposes only and forms no part of the claimed design.



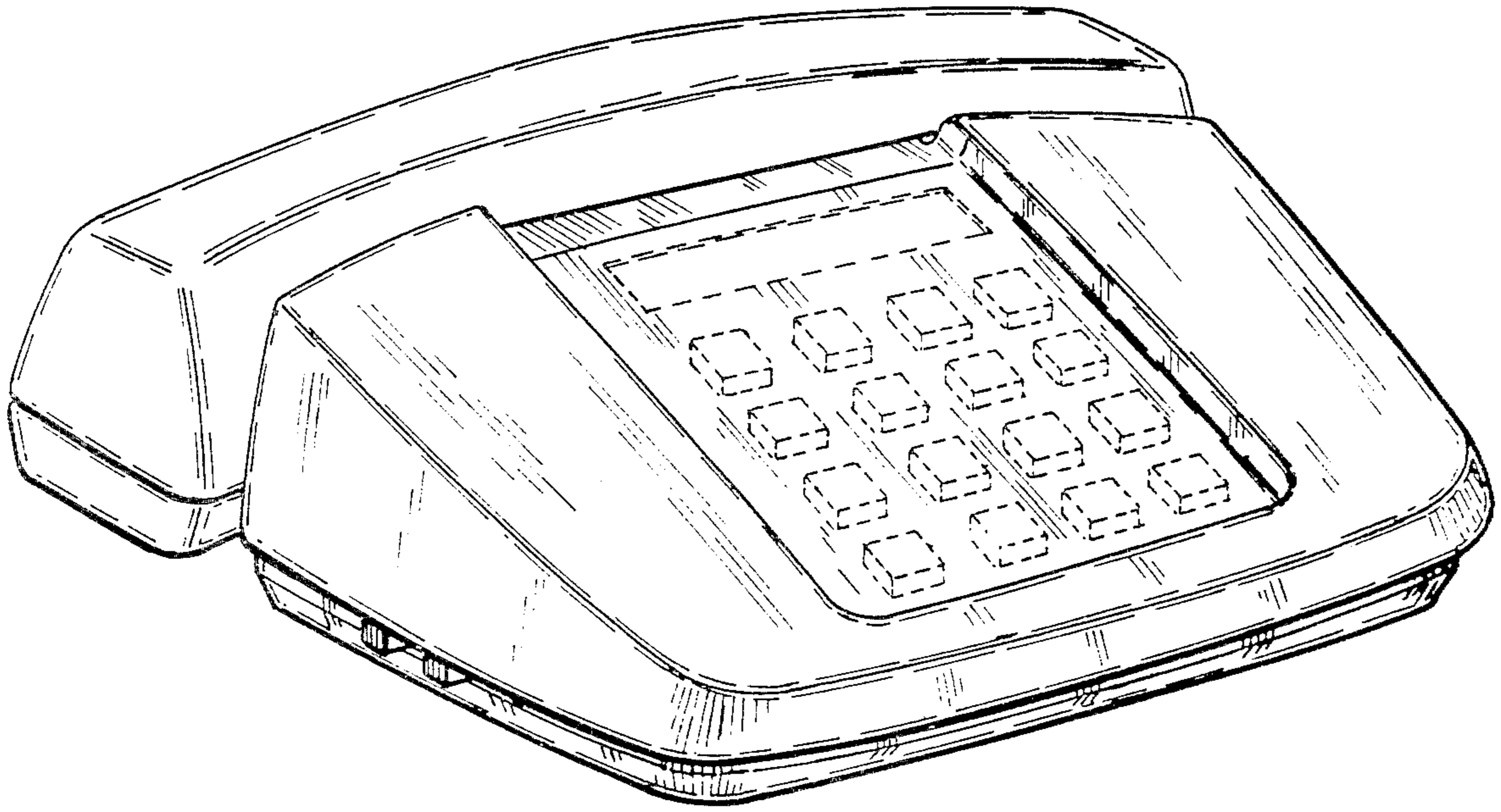


FIG. 1

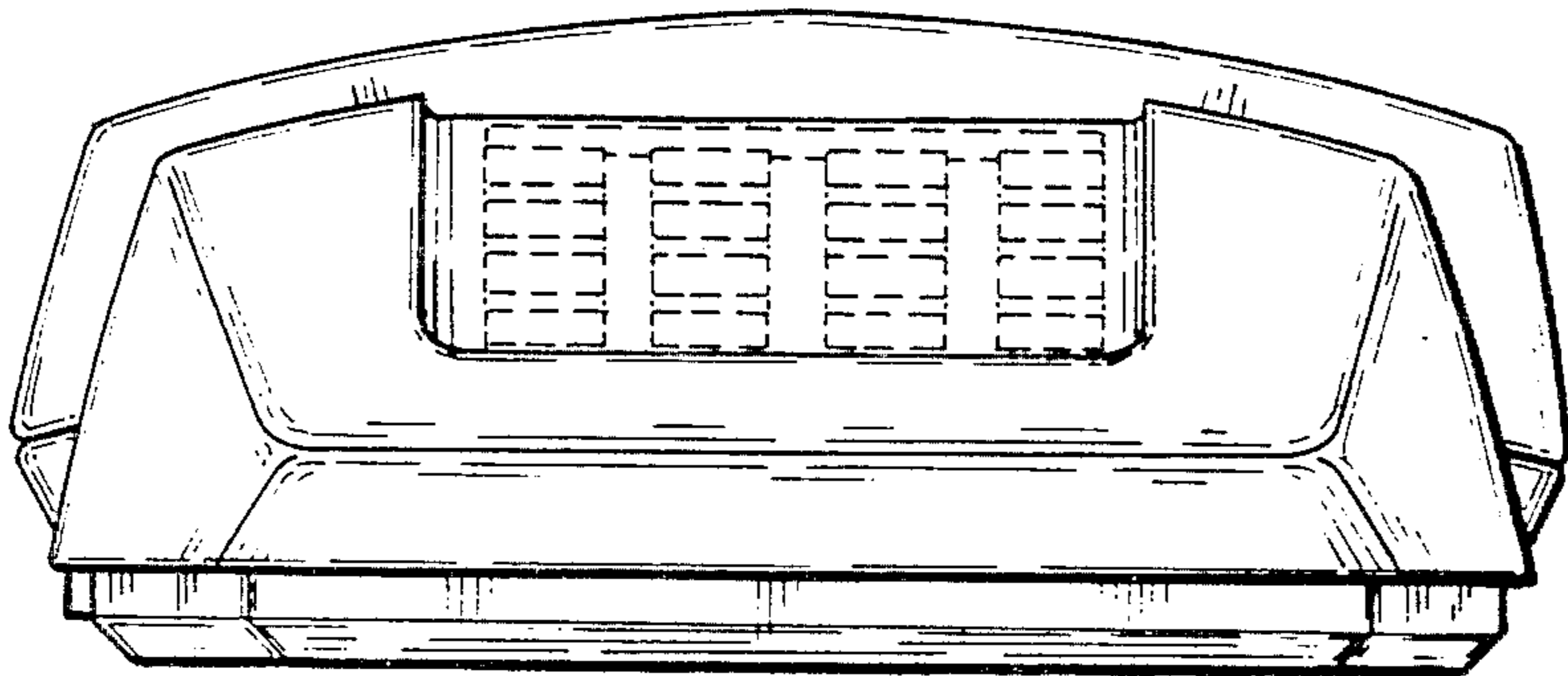


FIG. 2

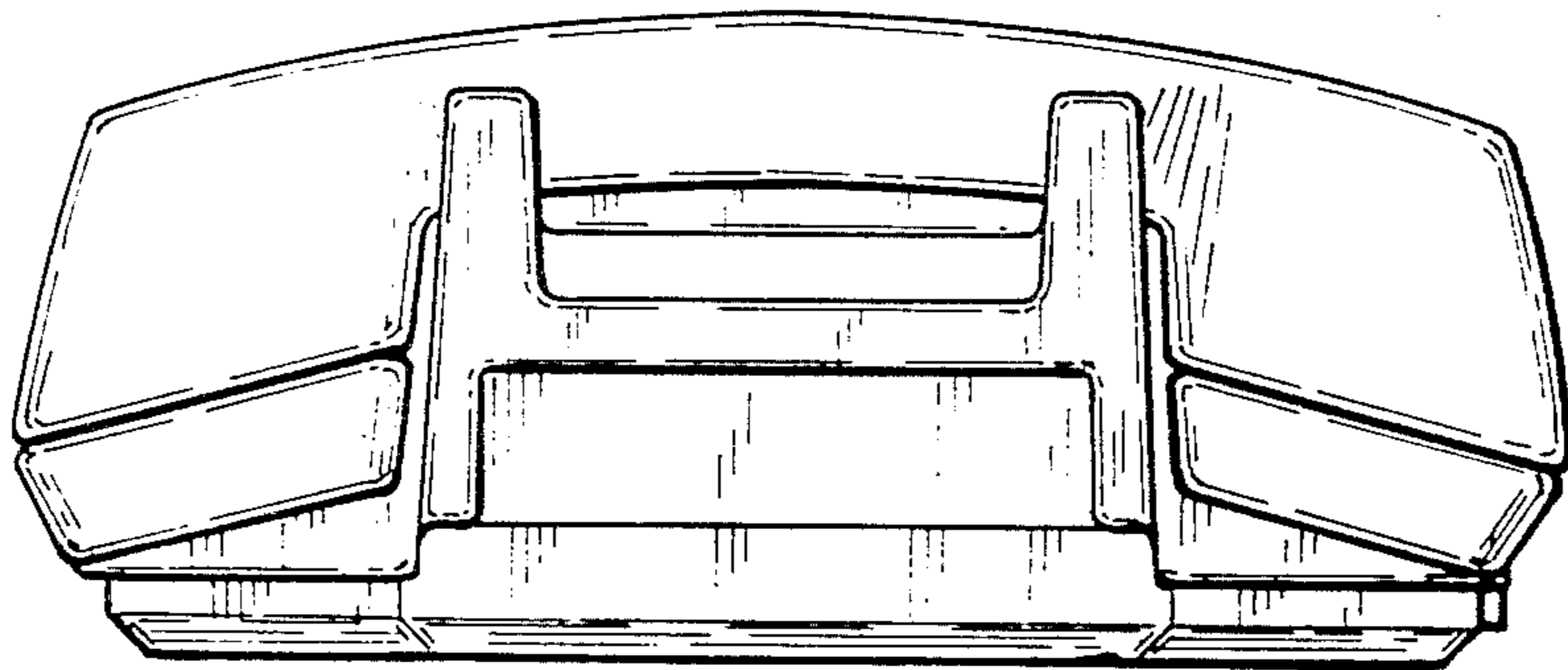


FIG. 3

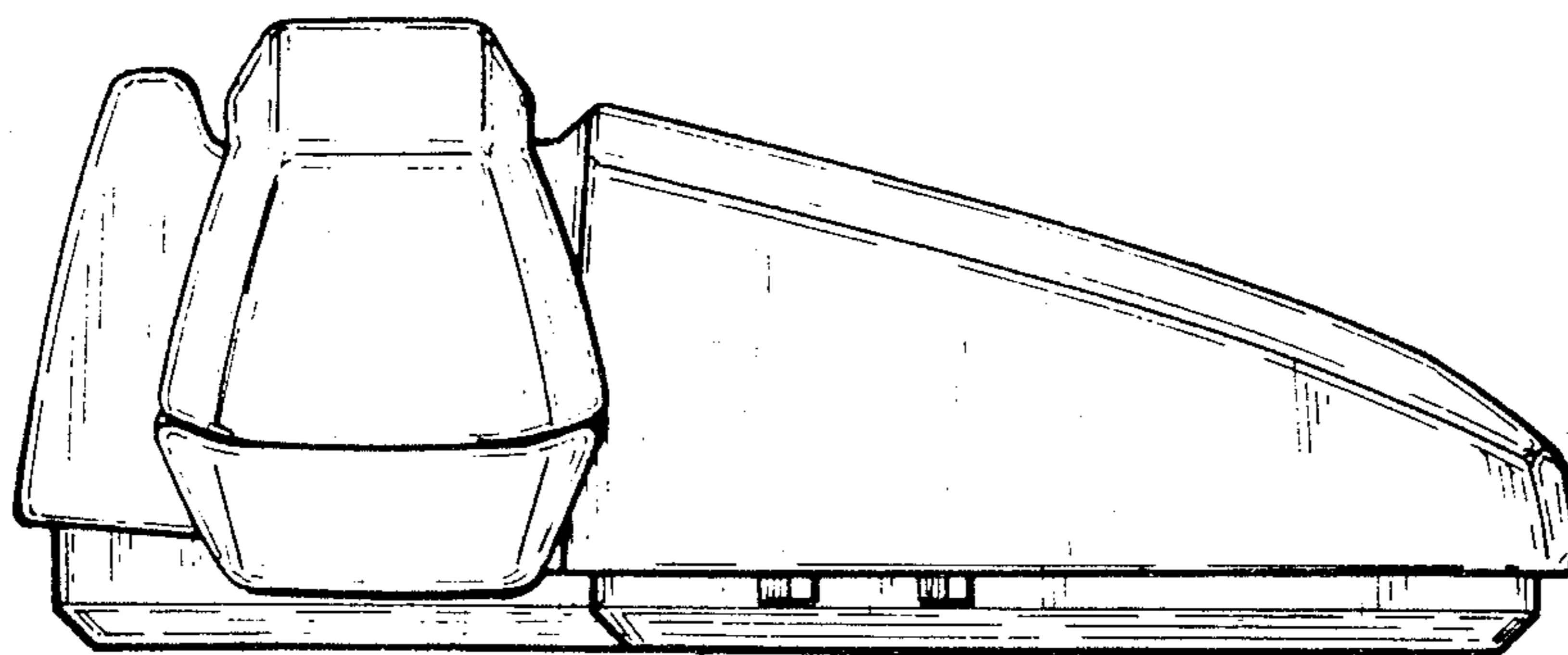


FIG. 4

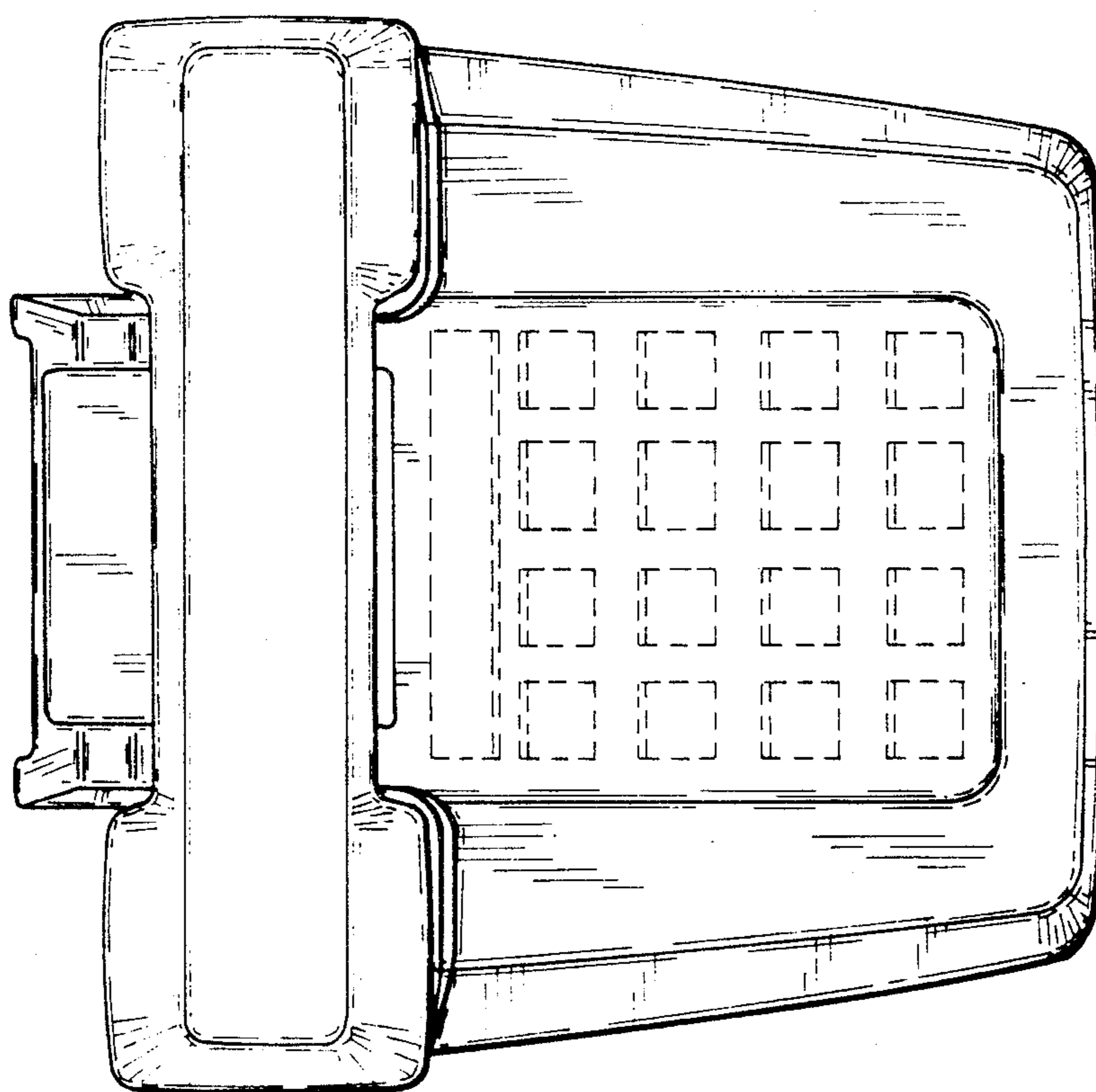


FIG. 5