

[54] **AIRCRAFT FLAP HINGE COVER**

[76] Inventor: **Norman F. Carden, III**, 5207
Stephens La., Durham, N.C. 27712

[**] Term: **14 Years**

[21] Appl. No.: **438,042**

[22] Filed: **Nov. 1, 1982**

[52] U.S. Cl. **D12/345**

[58] Field of Search D12/345; 244/1 R, 129.1;
244/130, 215; 16/387, 389, 390; D8/323, 327

[56] **References Cited**

U.S. PATENT DOCUMENTS

2,927,749 3/1960 Brownell 244/130
4,067,518 1/1978 Paterson et al. 244/130

FOREIGN PATENT DOCUMENTS

113963 9/1938 United Kingdom 244/130

Primary Examiner—James M. Gandy
Attorney, Agent, or Firm—B. B. Olive

[57] **CLAIM**

The ornamental design for an aircraft flap hinge cover,
as shown and described.

DESCRIPTION

FIG. 1 is a perspective view of an aircraft flap hinge cover showing my new design.

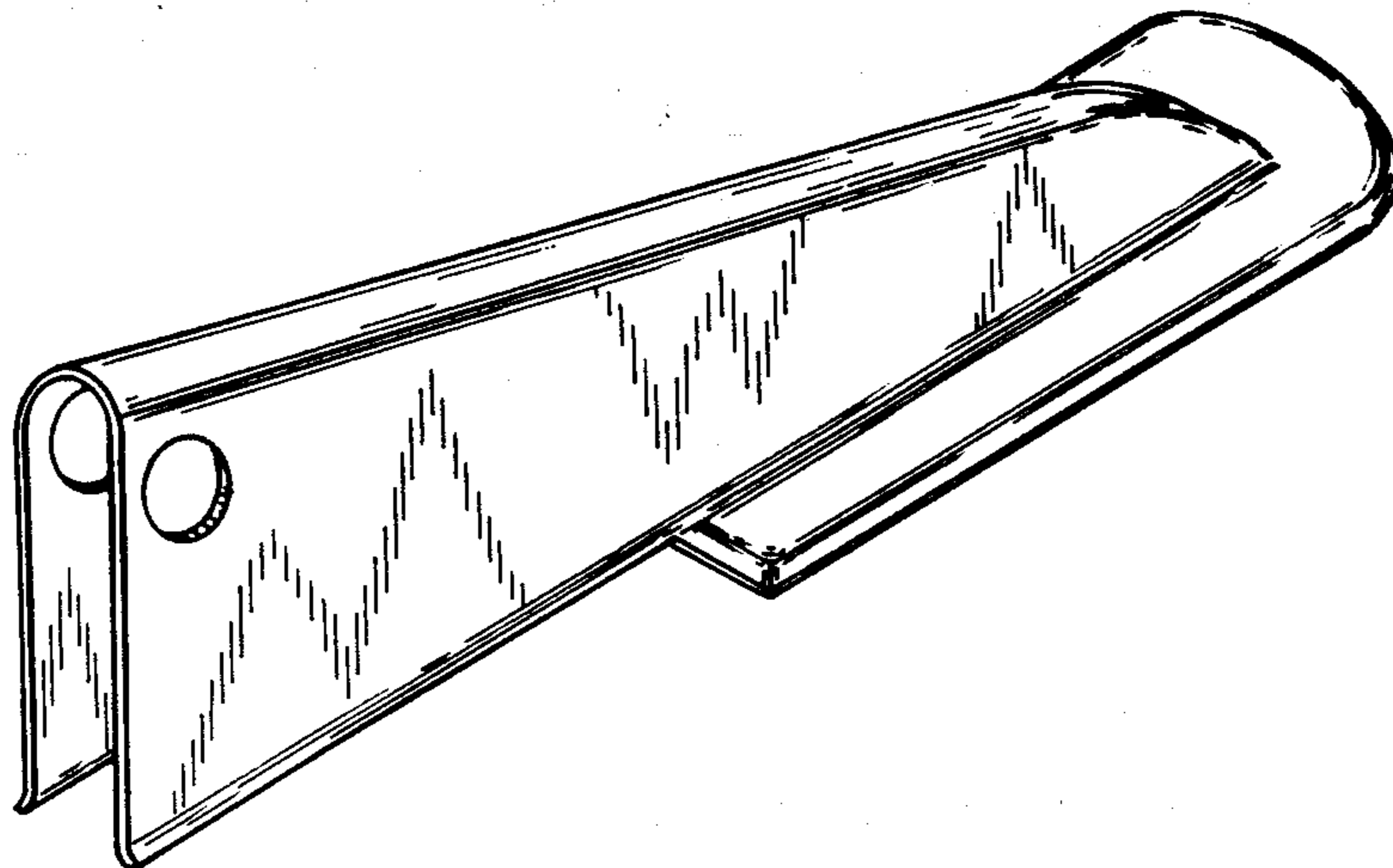
FIG. 2 is a top plan view thereof.

FIG. 3 is a bottom plan view thereof.

FIG. 4 is a side elevation view, the side not shown being a mirror image thereof.

FIG. 5 is a left end elevation view.

FIG. 6 is a right end elevation view.



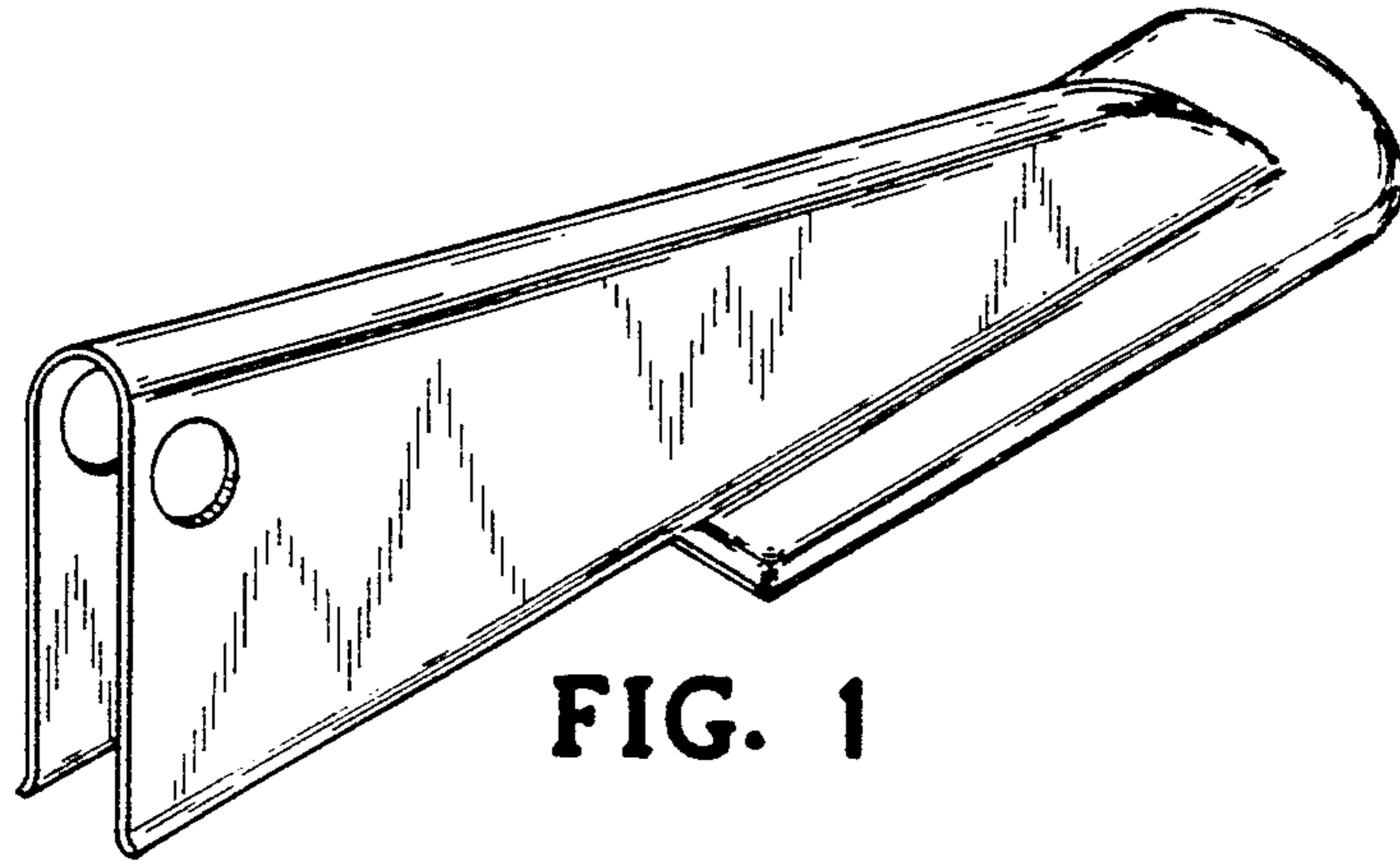


FIG. 1

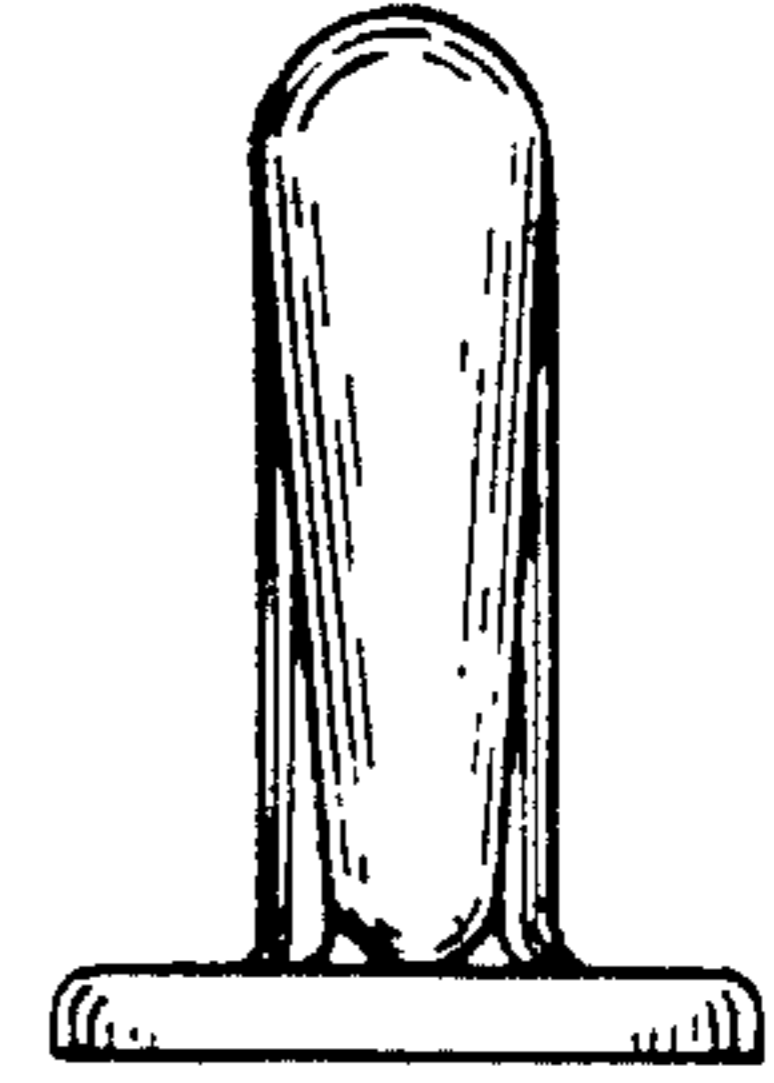


FIG. 6

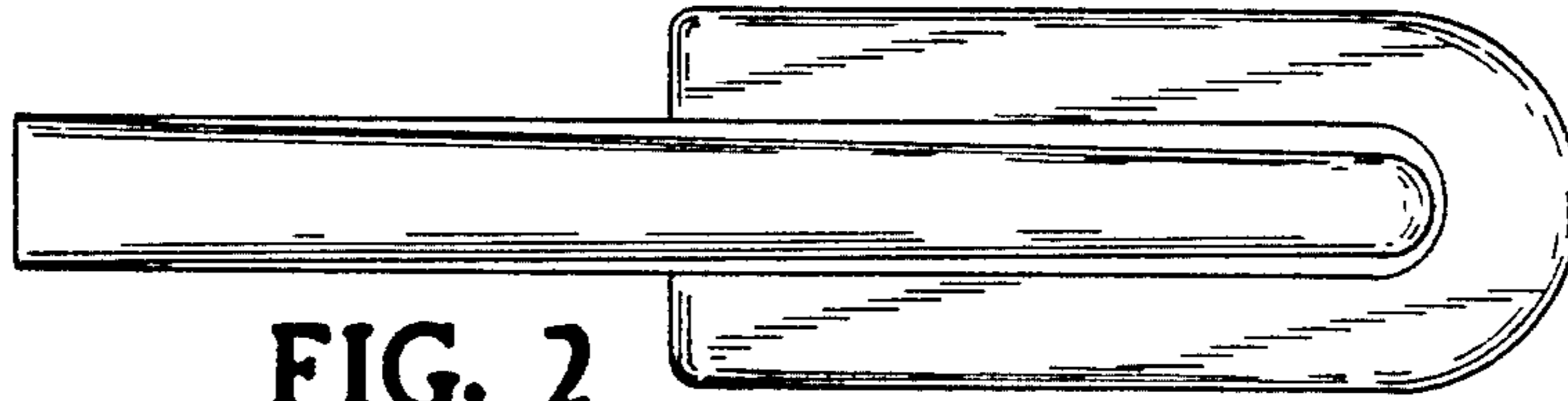


FIG. 2

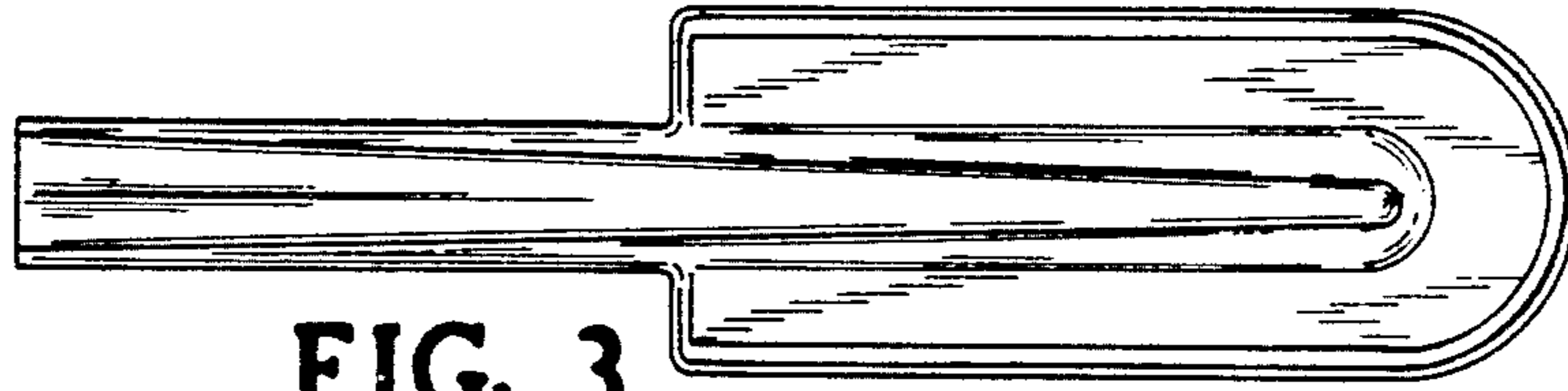


FIG. 3

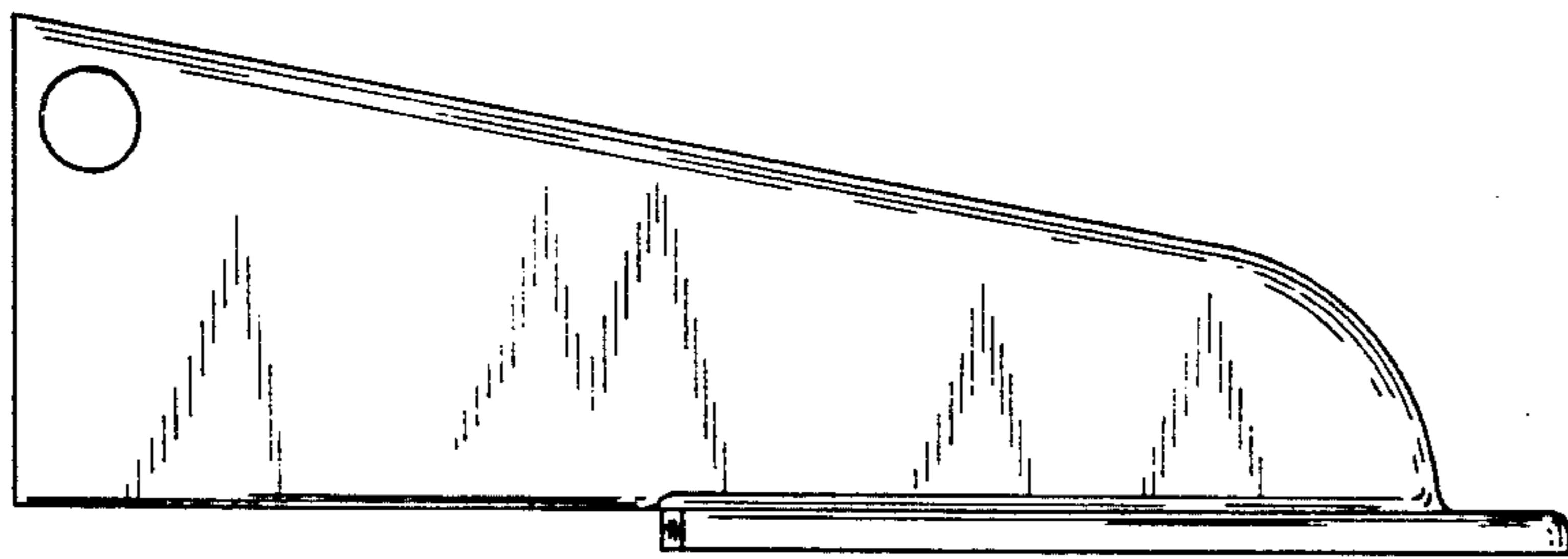


FIG. 4

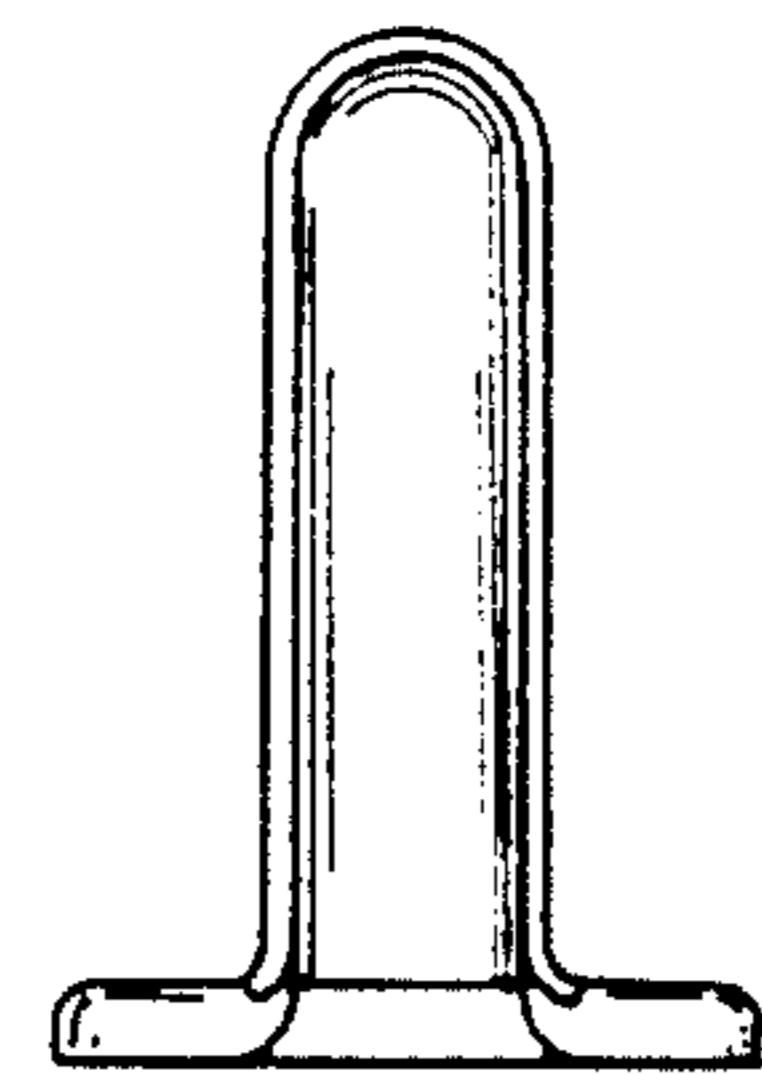


FIG. 5