

[54] **INTERIOR SURFACE OF A VEHICLE WINDOW**

[75] **Inventor: Richard W. Soederberg, Mühlacker, Fed. Rep. of Germany**

[73] **Assignee: Dr. Ing. h.c.F. Porsche Aktiengesellschaft, Weissach, Fed. Rep. of Germany**

[**] **Term: 14 Years**

[21] **Appl. No.: 524,092**

[22] **Filed: Aug. 17, 1983**

[30] **Foreign Application Priority Data**

Mar. 4, 1983 [DE] Fed. Rep. of Germany MR 5614

[52] **U.S. Cl. D12/183**

[58] **Field of Search D12/183, 345; 244/129.3, 121; 296/145**

[56] **References Cited**

U.S. PATENT DOCUMENTS

D. 236,457 8/1975 Davidyan et al. D12/183
3,050,790 8/1962 Wakefield 244/129.3

FOREIGN PATENT DOCUMENTS

N406231 11/1943 Italy 244/121

OTHER PUBLICATIONS

1972 Design News, "Money Making Ideas", Module automobile quarter window.

Primary Examiner—James M. Gandy
Attorney, Agent, or Firm—Barnes & Thornburg

[57] **CLAIM**

The ornamental design for an interior surface of a vehicle window, as shown and described.

DESCRIPTION

FIG. 1 is a perspective view from inside and behind the interior surface of a vehicle window; and FIG. 2 is a perspective view thereof similar to FIG. 1, but in a different operational mode.

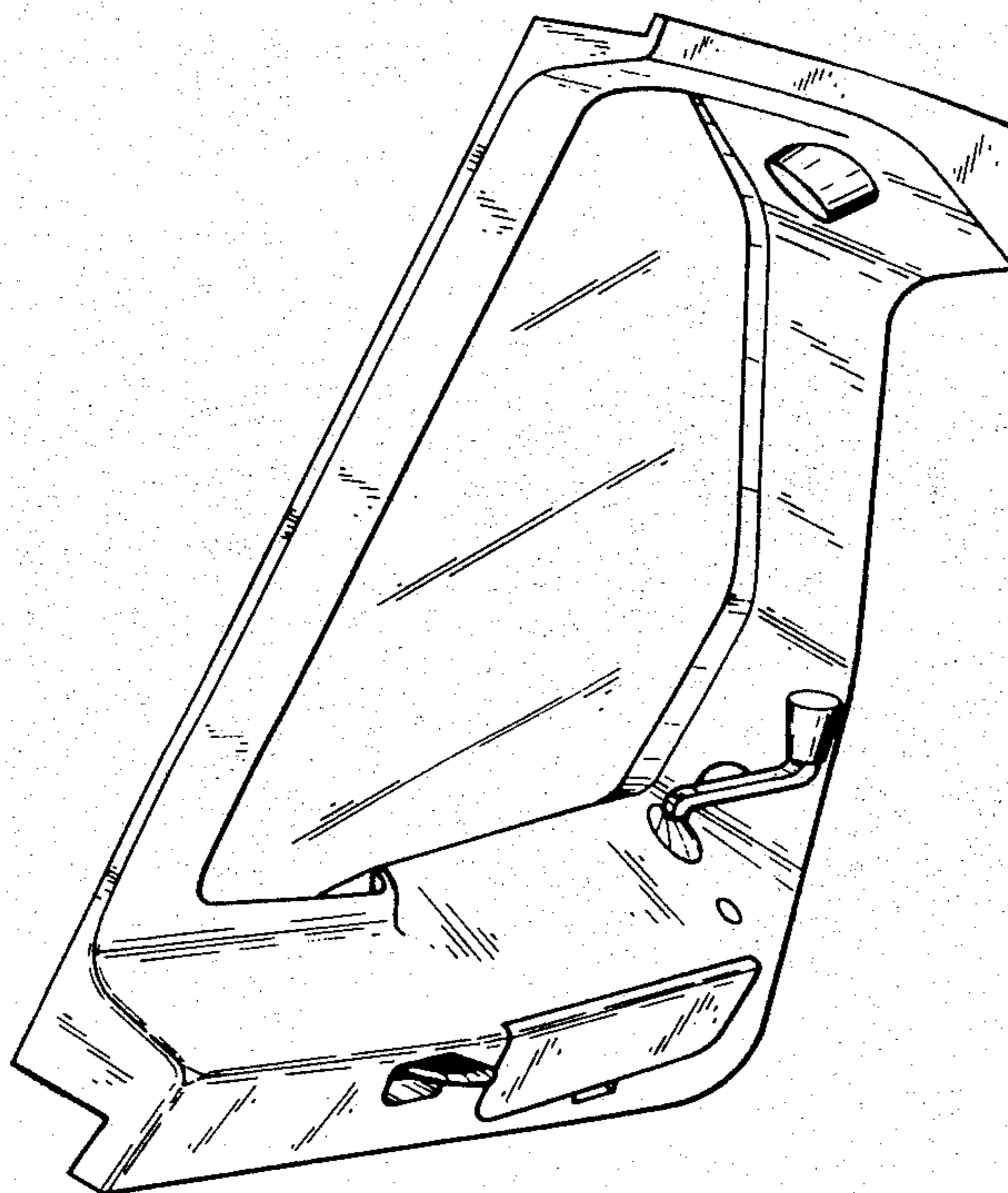


FIG. 1

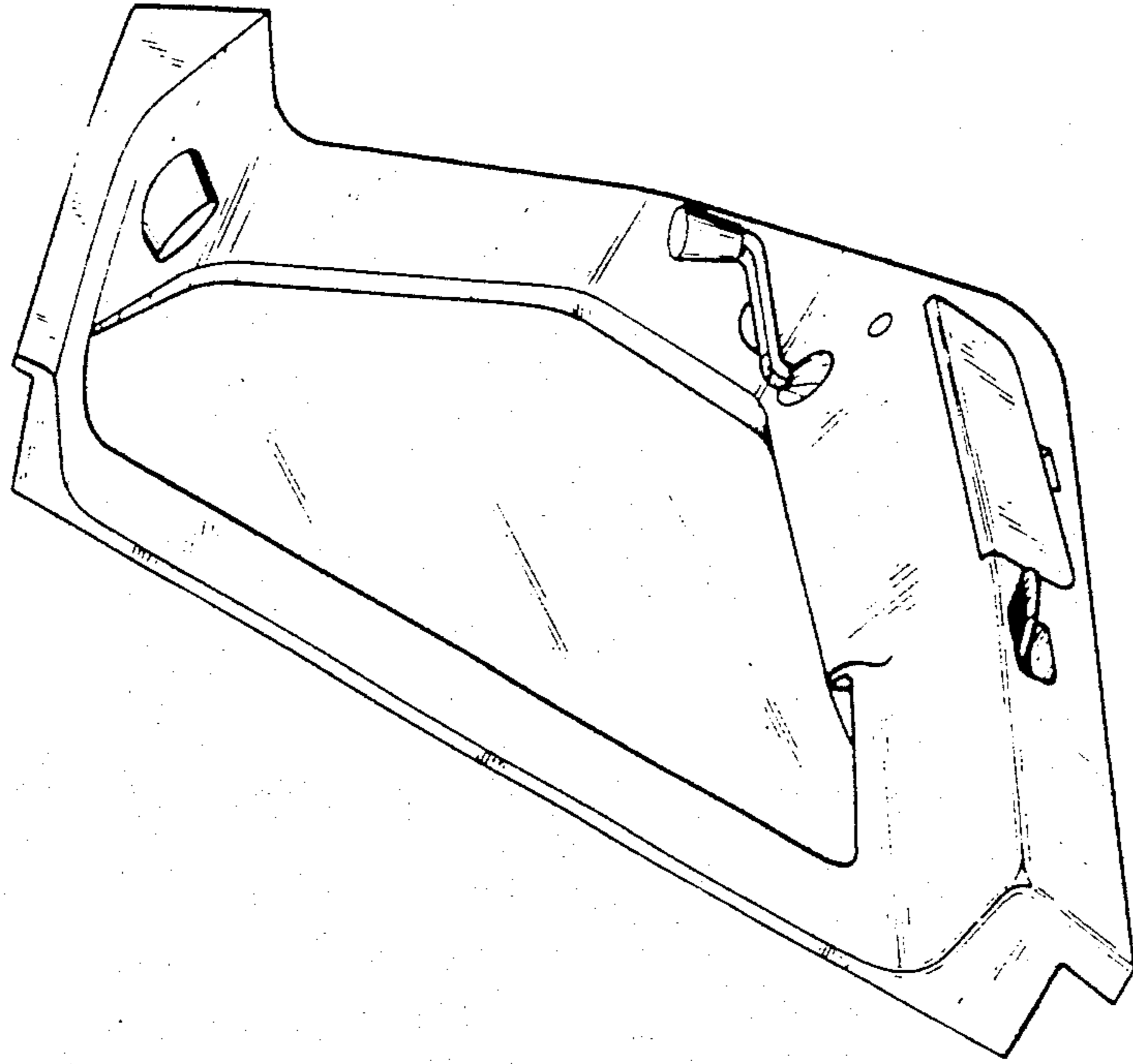


FIG. 2

