

[54] FUEL TANK

Attorney, Agent, or Firm—Watts, Hoffman, Fisher & Heinke

[75] Inventors: Ronald R. Eureka, Mantua; Benson T. Nicholl, Solon; Gerald A. Hite, Willoughby, all of Ohio

[57] CLAIM

The ornamental design for a fuel tank, as shown and described.

[73] Assignee: Tempo Products Company, Cleveland, Ohio

DESCRIPTION

[\*\*] Term: 14 Years

FIG. 1 is a perspective view of a first embodiment of a fuel tank showing our design; FIG. 2 is a front elevational view thereof, it being understood that the rear is substantially a mirror image of the front view shown herein; FIG. 3 is a top plan view thereof; FIG. 4 is a side elevational view thereof looking toward the right-hand side of FIG. 1; FIG. 5 is a bottom plan view thereof; FIG. 6 is a side elevational view thereof looking toward the left-hand side of FIG. 1; FIG. 7 is a perspective view of a second embodiment of a fuel tank showing our design; FIG. 8 is a front elevational view of the second embodiment, it being understood that the rear is substantially a mirror image of the front view shown herein; FIG. 9 is a top plan view of the second embodiment; FIG. 10 is a side elevational view of the second embodiment looking toward the right-hand side of FIG. 7; FIG. 11 is a bottom plan view of the second embodiment; FIG. 12 is a side elevational view of the second embodiment looking toward the left-hand side of FIG. 7.

[21] Appl. No.: 512,900

[22] Filed: Jul. 11, 1983

[52] U.S. Cl. .... D12/155

[58] Field of Search ..... D12/155; D9/410; D23/2; 280/5 A; 220/5 A, 1 B, 1 V, 4 B

[56] References Cited

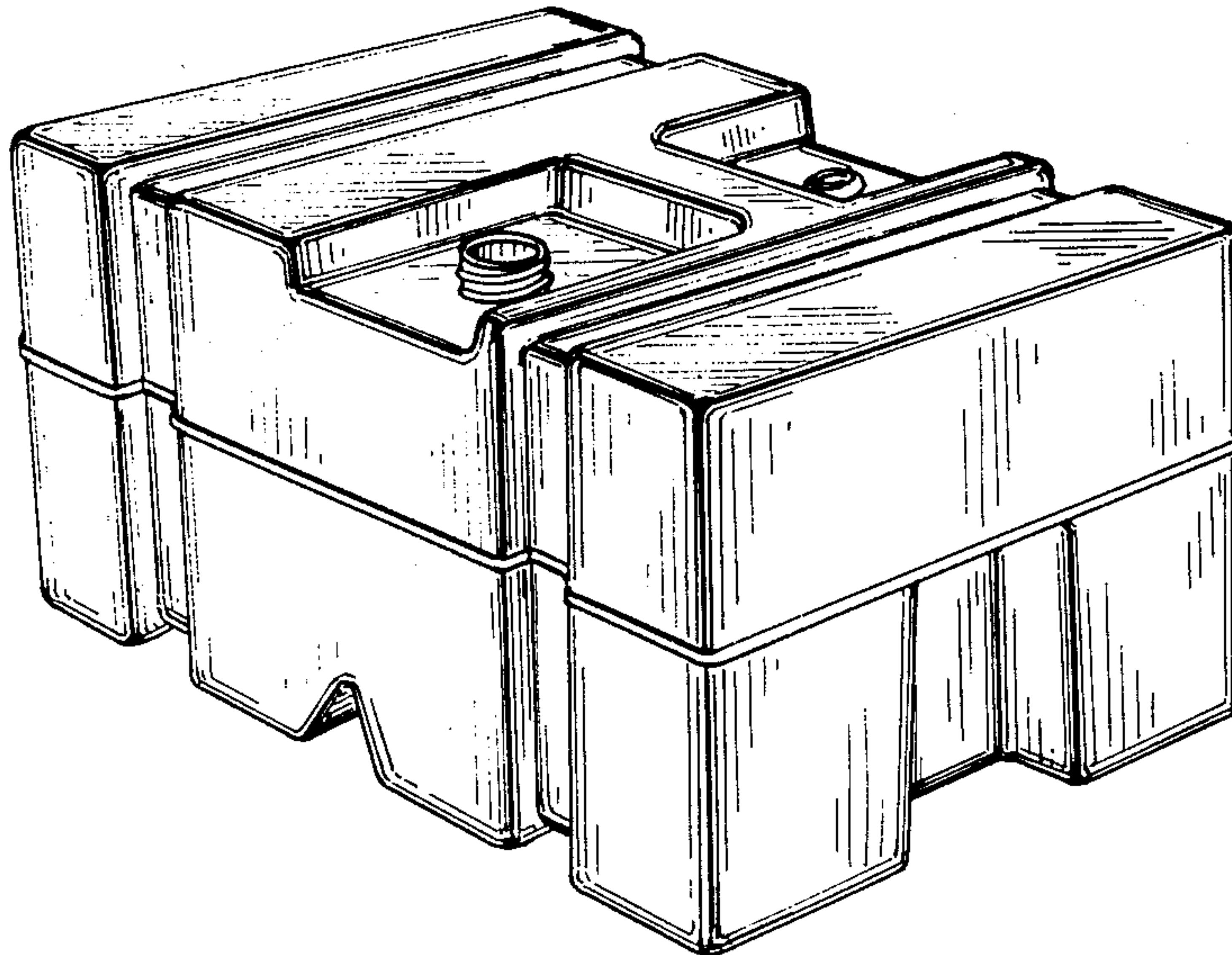
U.S. PATENT DOCUMENTS

- D. 251,674 4/1979 Sayward ..... D23/2
- D. 258,501 3/1981 Winslow ..... D12/155
- 3,343,703 9/1967 Snyder ..... 220/1 V

OTHER PUBLICATIONS

Cover page and pp. 1-6 and 9 of the applicants' 1983 catalog entitled "Tempo Products Company and Alco Standard Company 1983."

Primary Examiner—James M. Gandy



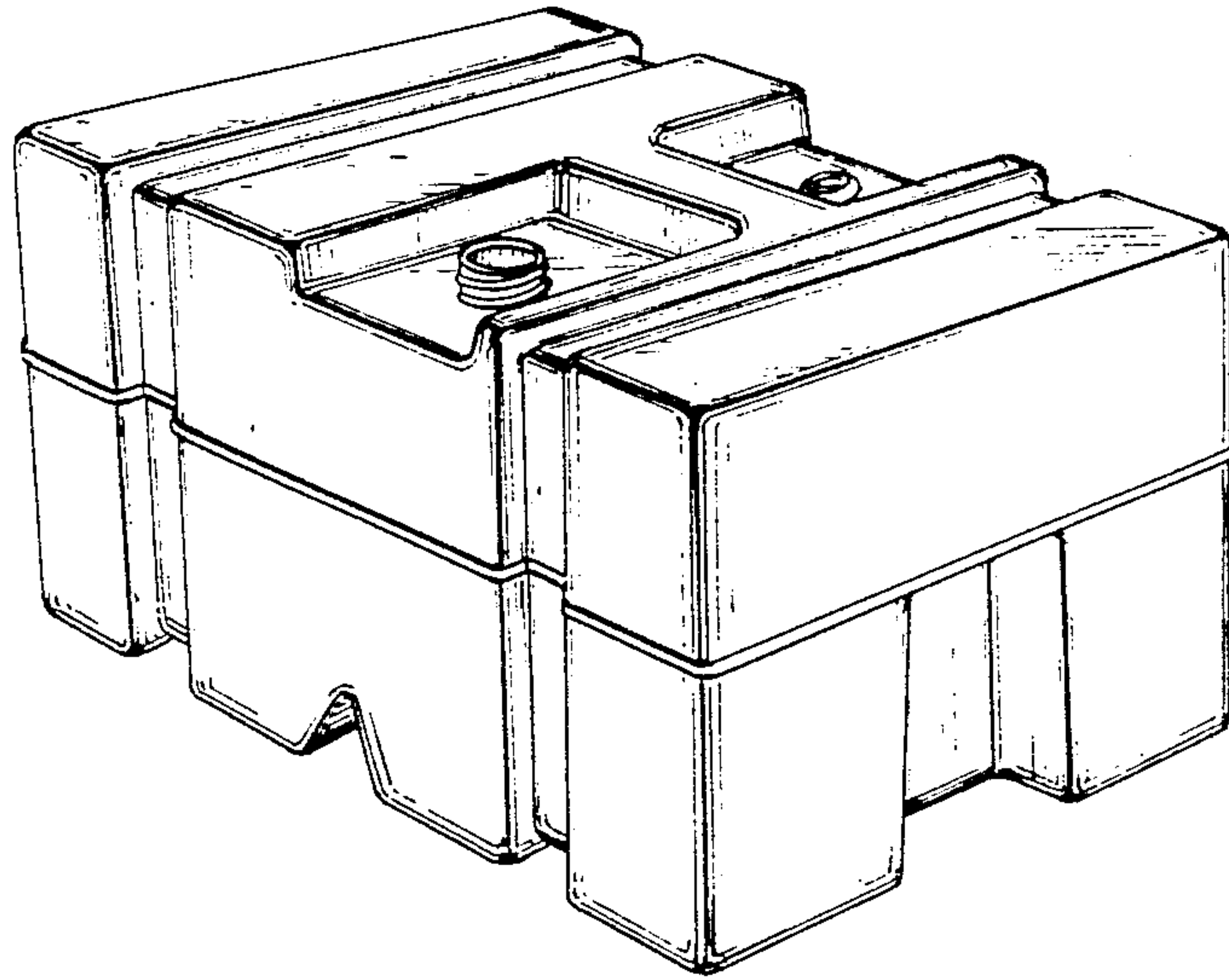


Fig. 1

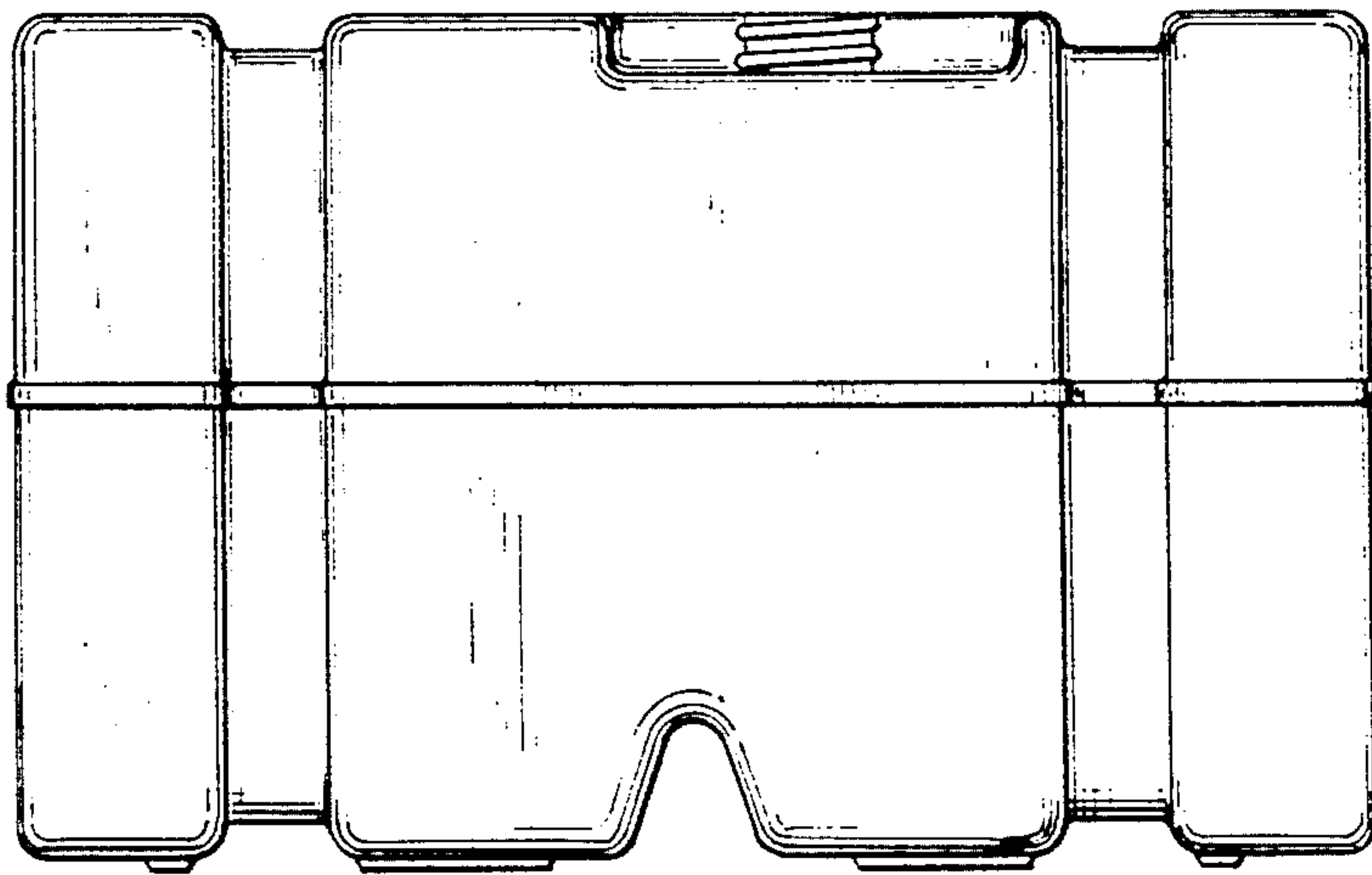


Fig. 2

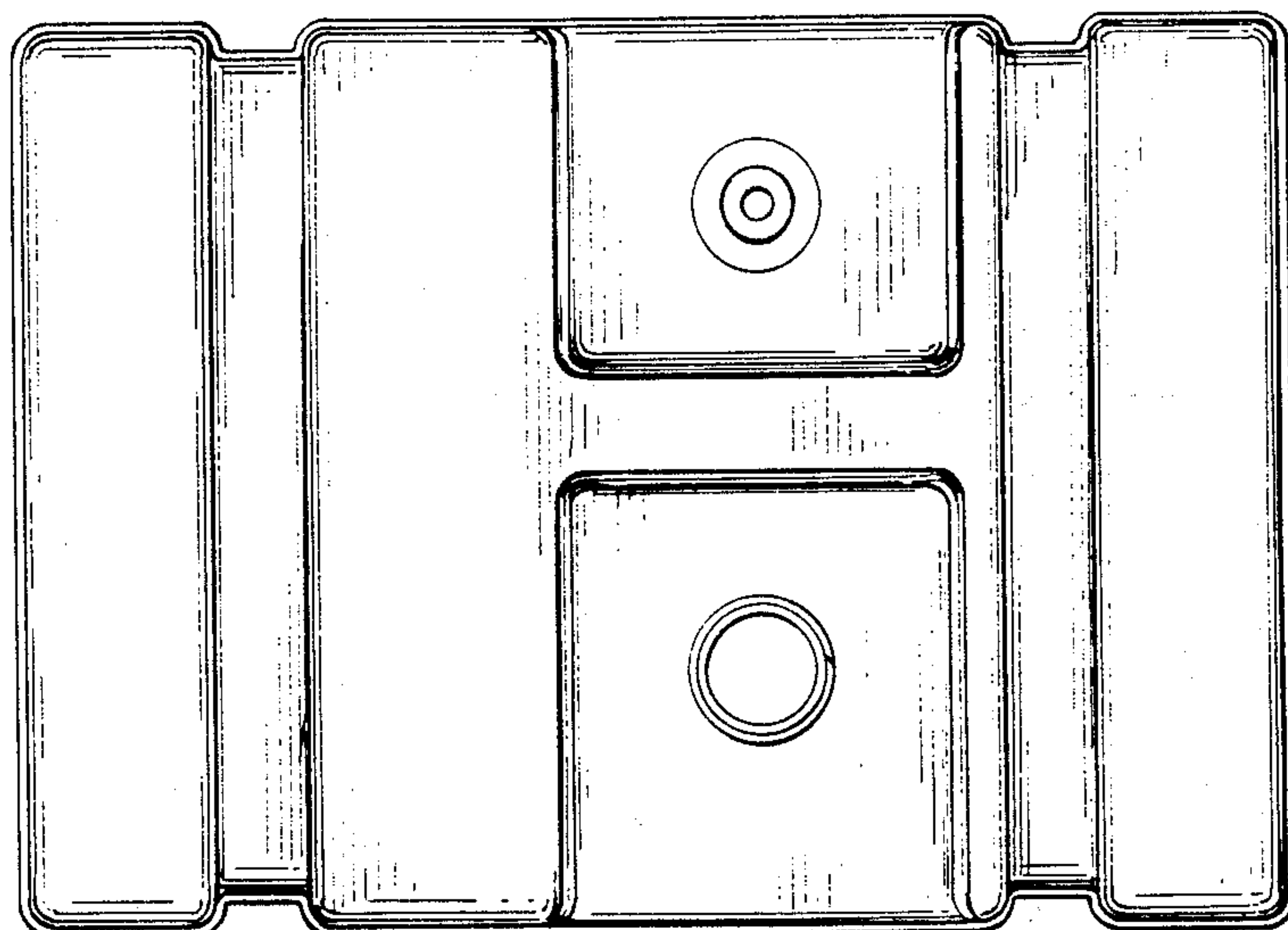


Fig. 3

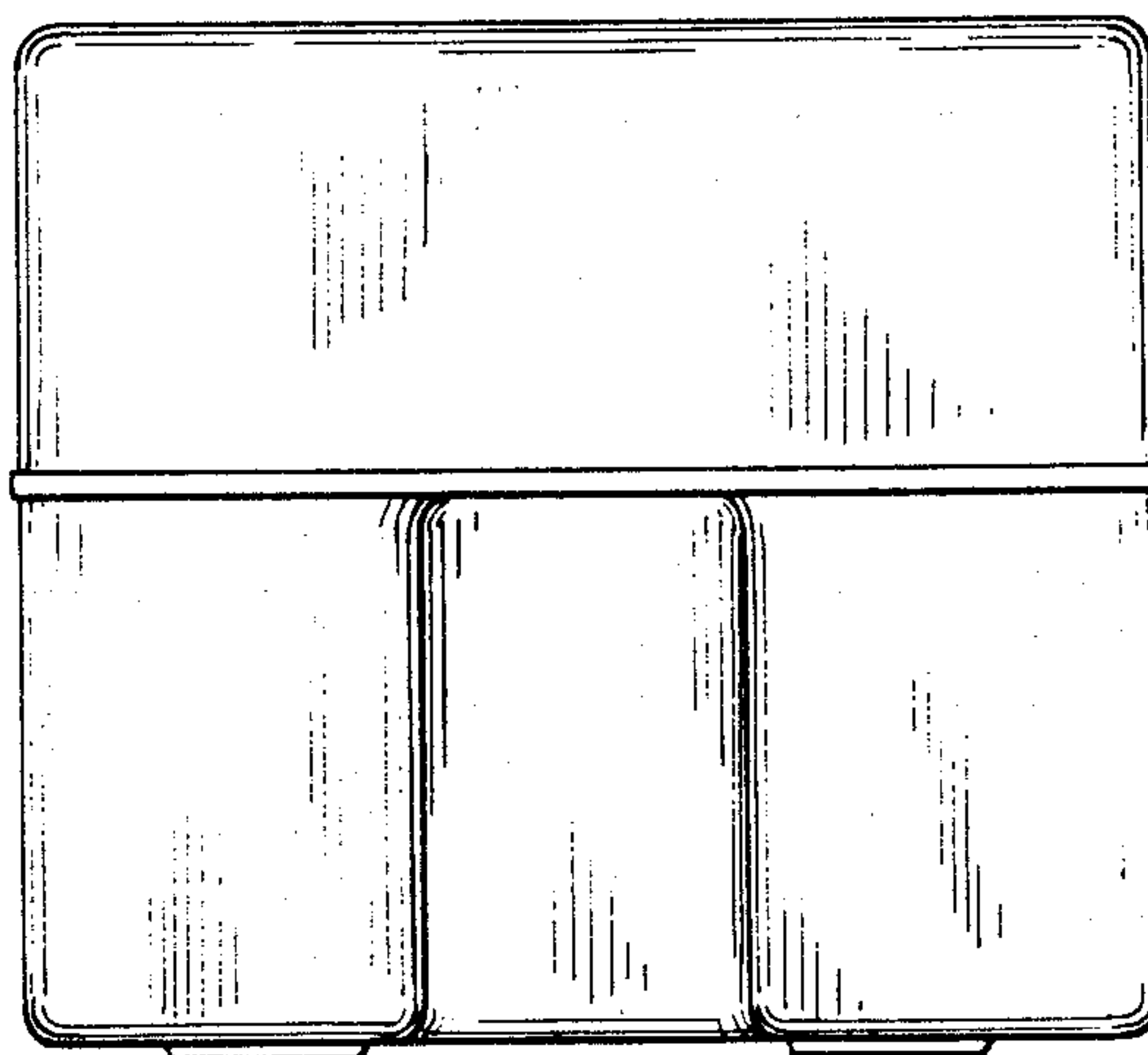
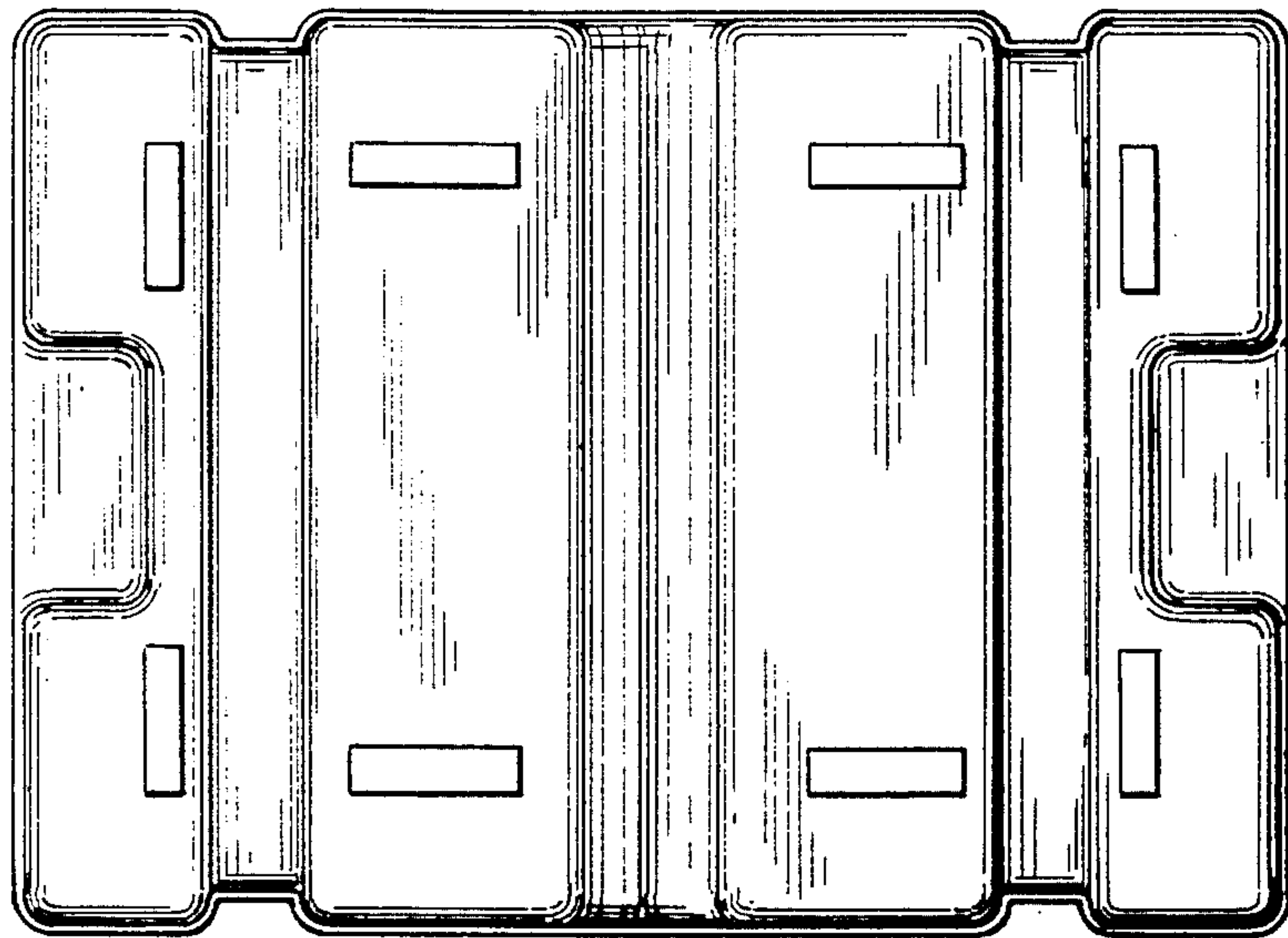
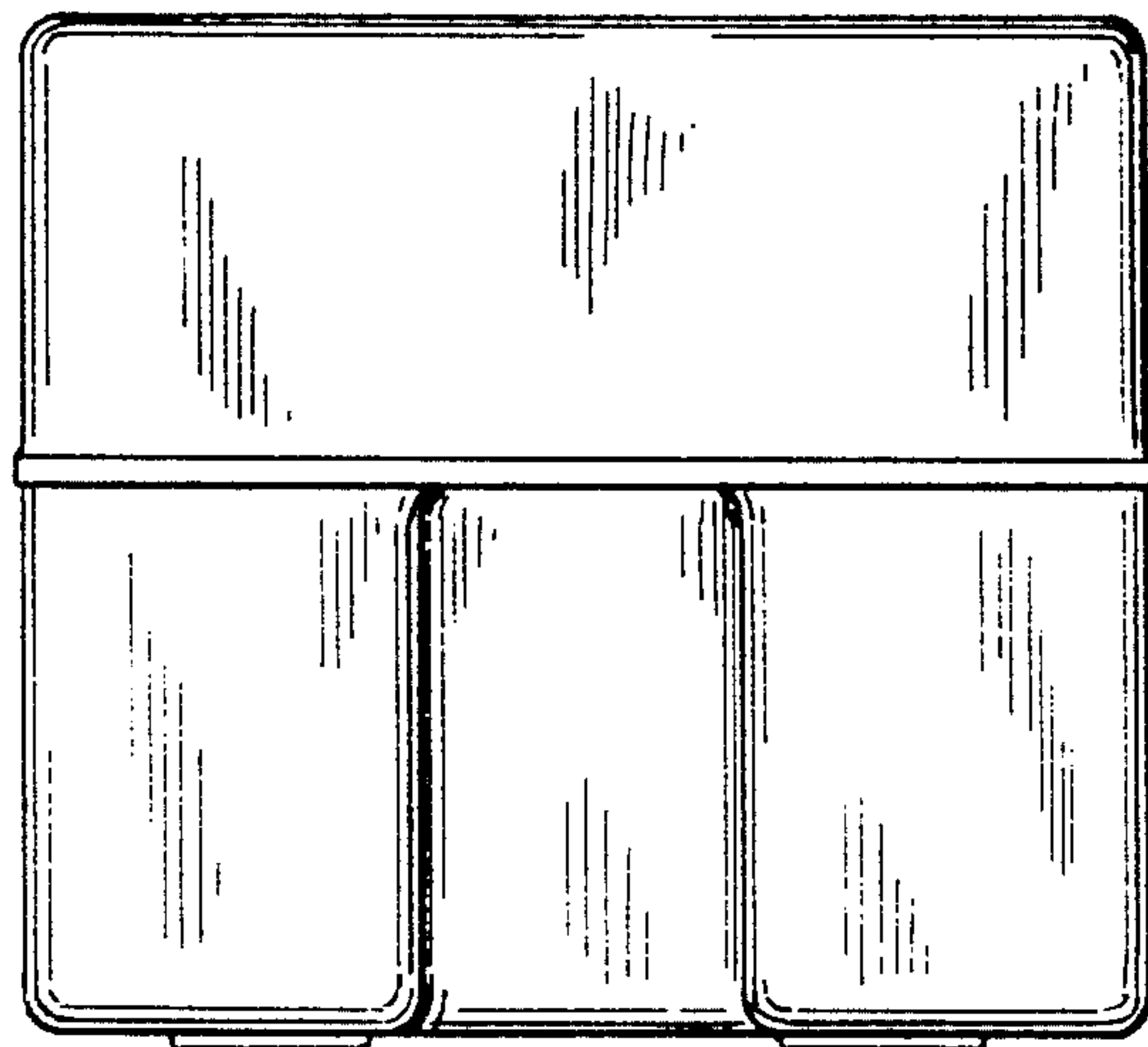


Fig. 4



*Fig. 5*



*Fig. 6*



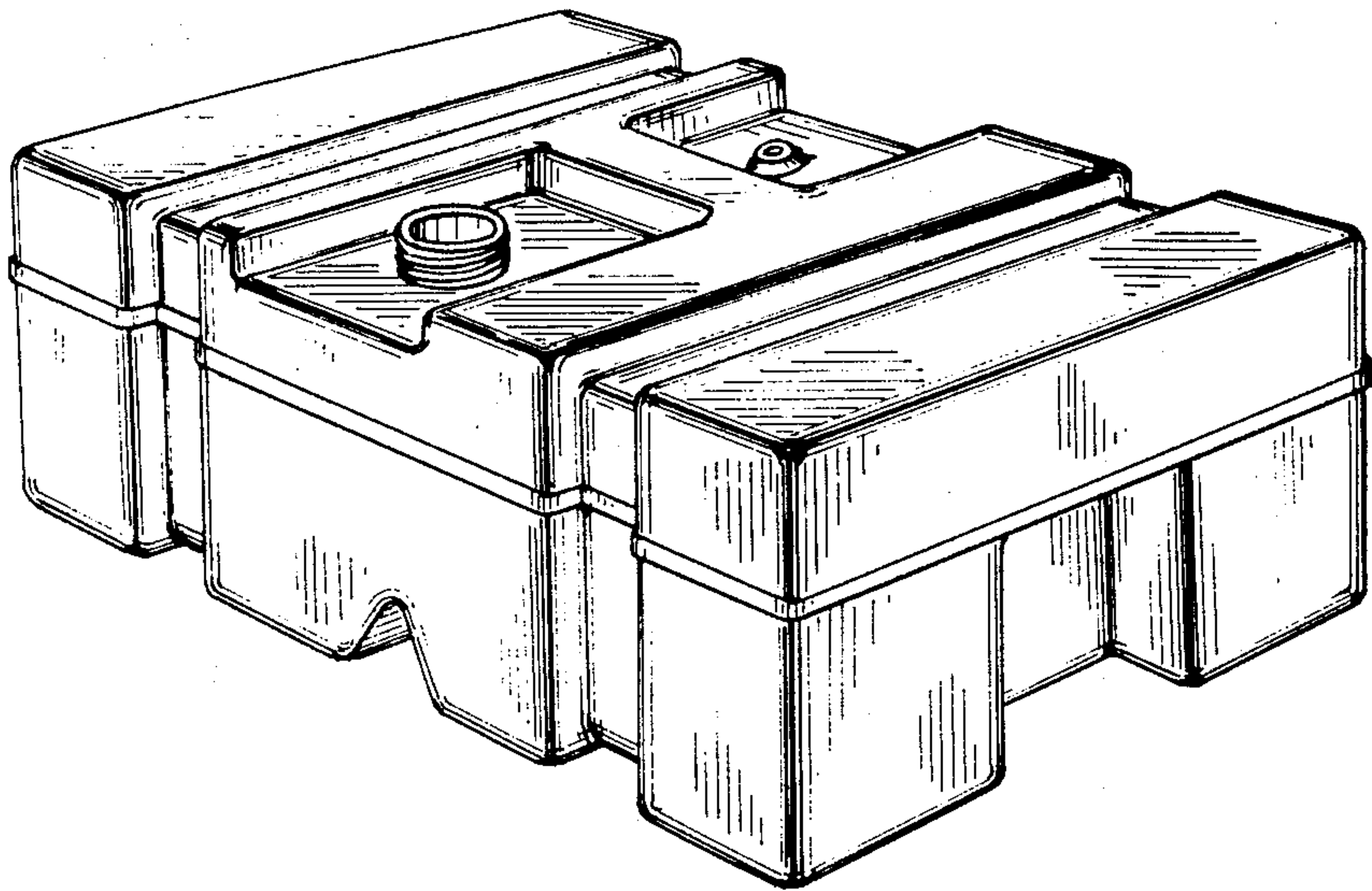


Fig. 7

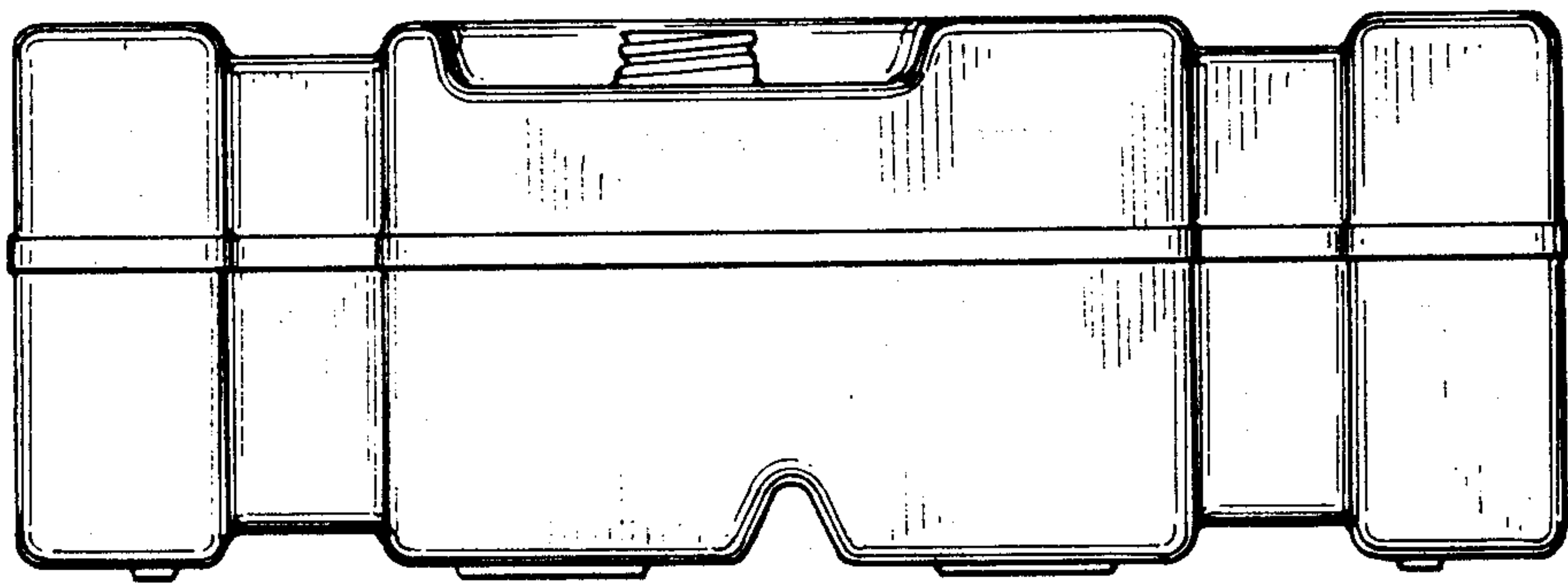


Fig. 8

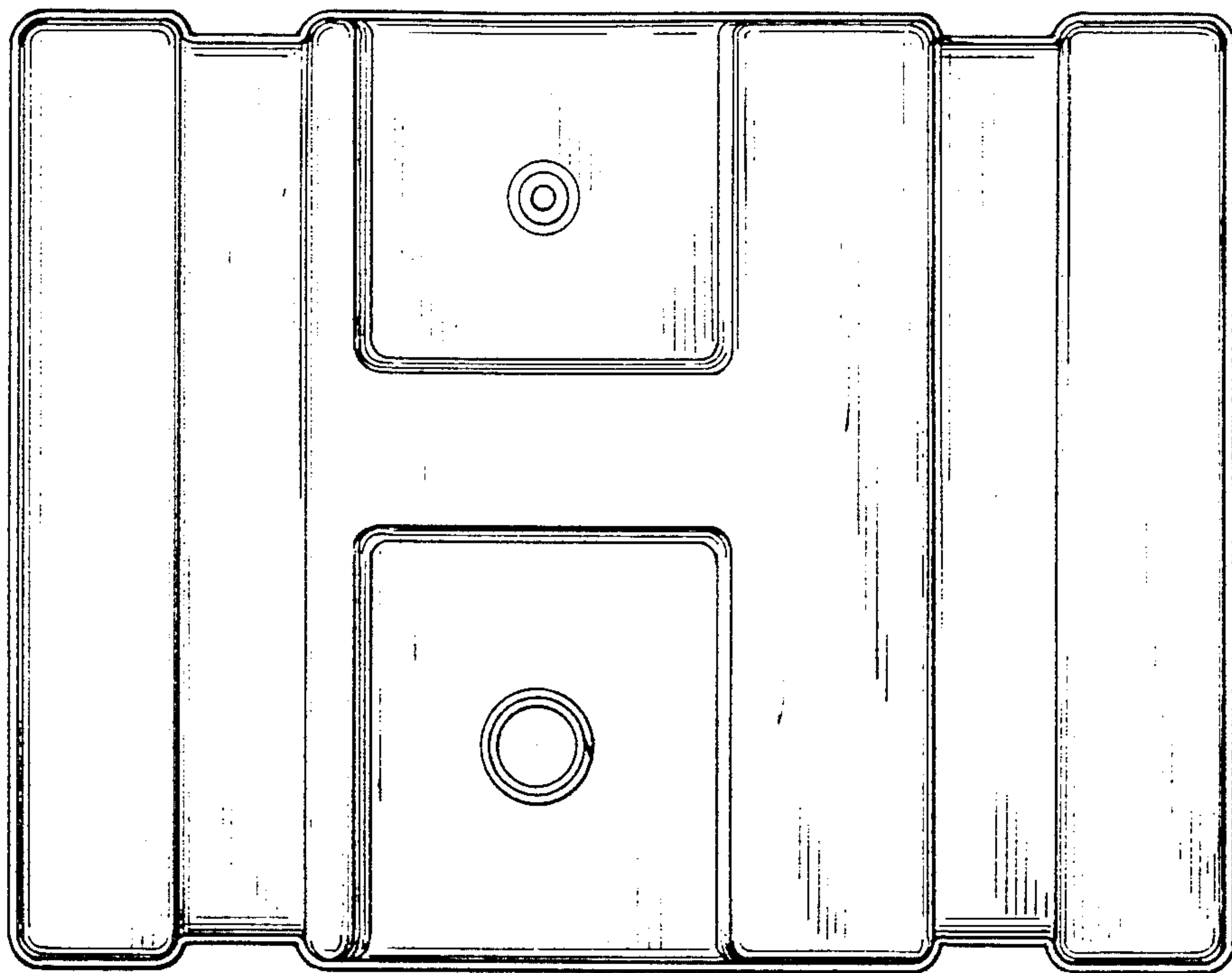


Fig. 9

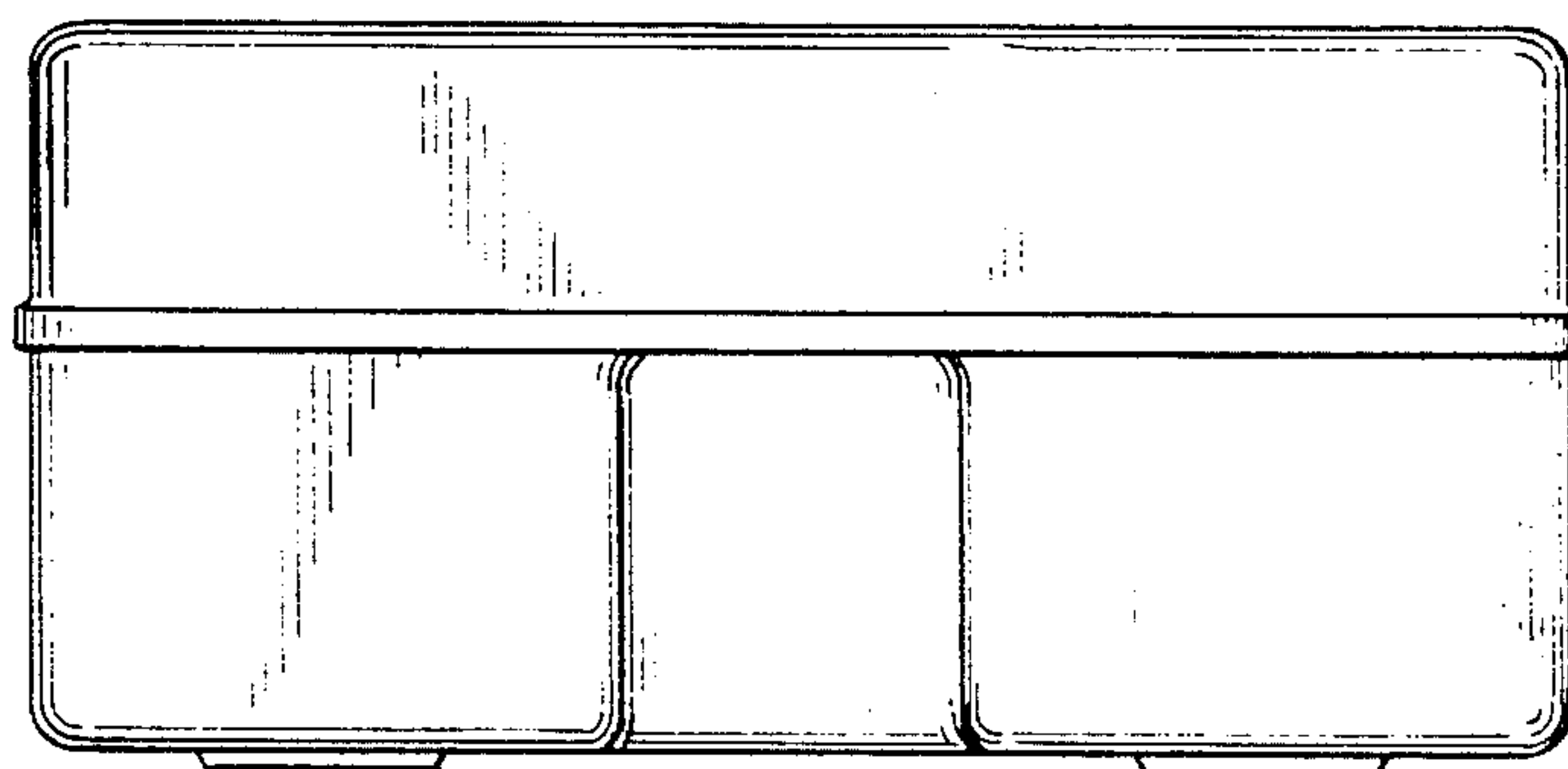
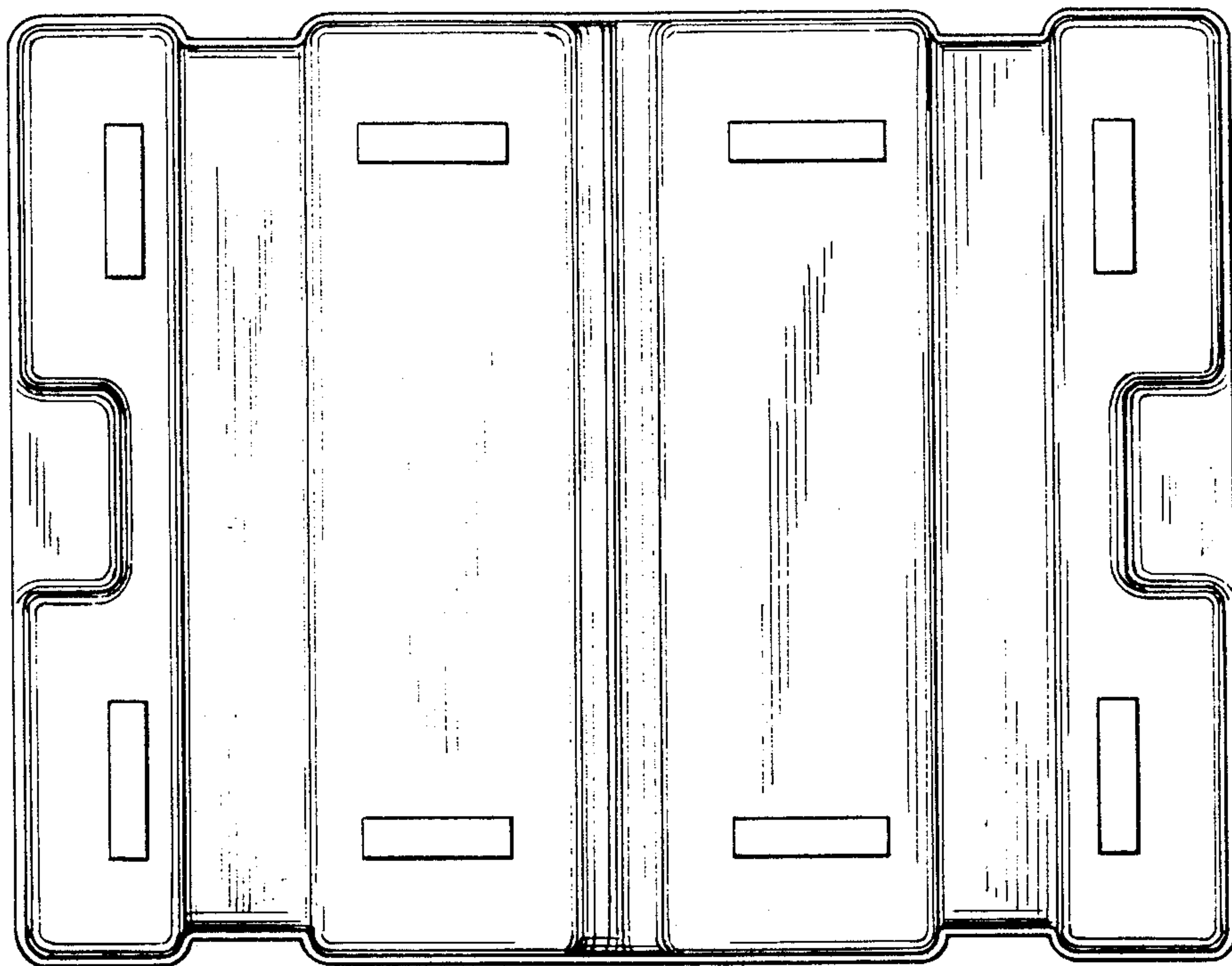
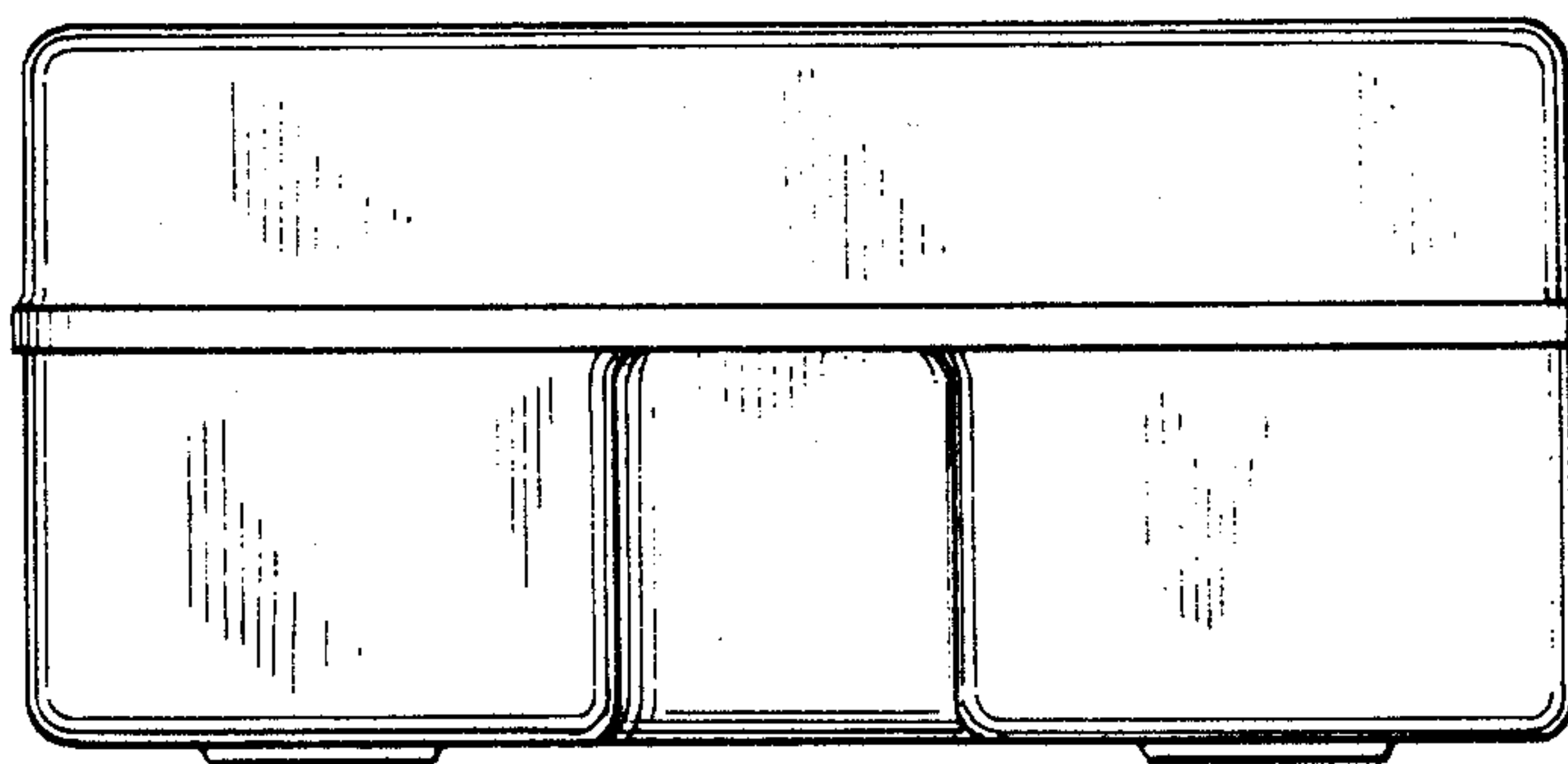


Fig. 10



*Fig. 11*



*Fig. 12*