

[54] TOP COMPARTMENT FOR A TRUCK CAB

[76] Inventor: Bruce W. Eggan, 404 Jackson Ave. South, Hopkins, Minn. 55343

[**] Term: 14 Years

[21] Appl. No.: 532,399

[22] Filed: Sep. 15, 1983

[52] U.S. Cl. D12/96; D12/181

[58] Field of Search D12/96, 97, 181, 156; 296/1 S, 190, 26; 180/18.19

[56] References Cited

U.S. PATENT DOCUMENTS

- D. 266,837 11/1982 Treadway et al. D12/181
- D. 272,058 1/1984 Kangas D12/181
- D. 276,710 12/1984 Brunger et al. D12/96

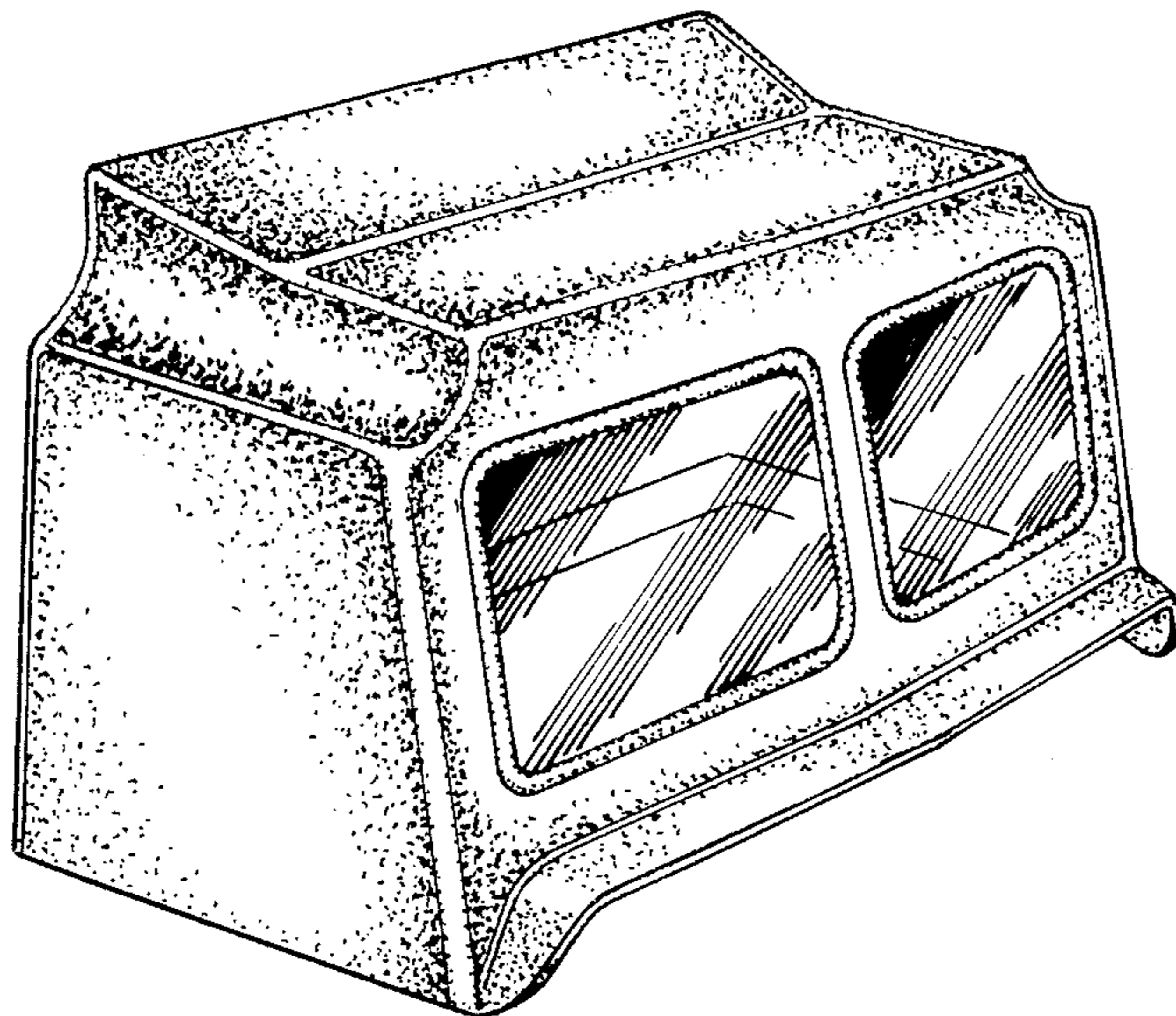
Primary Examiner—James M. Gandy
Attorney, Agent, or Firm—Kinney & Lange

[57] CLAIM

The ornamental design for a top compartment for a truck cab, as shown and described.

DESCRIPTION

FIG. 1 is a perspective view of a top compartment for a truck cab showing my new design;
 FIG. 2 is a side elevational view thereof, each side being the mirror image of the other, the top compartment of my design being shown in relationship to an upper portion of a truck cab which is shown in broken lines for illustrative purposes only;
 FIG. 3 is a front elevational view thereof, shown in relationship to an upper portion of a truck cab, the truck cab being shown in broken lines for illustrative purposes only;
 FIG. 4 is a rear elevational view thereof;
 FIG. 5 is a top plan view thereof; and
 FIG. 6 is a vertical sectional view taken through the left window as seen in FIG. 5 and looking to the left as seen in that figure.



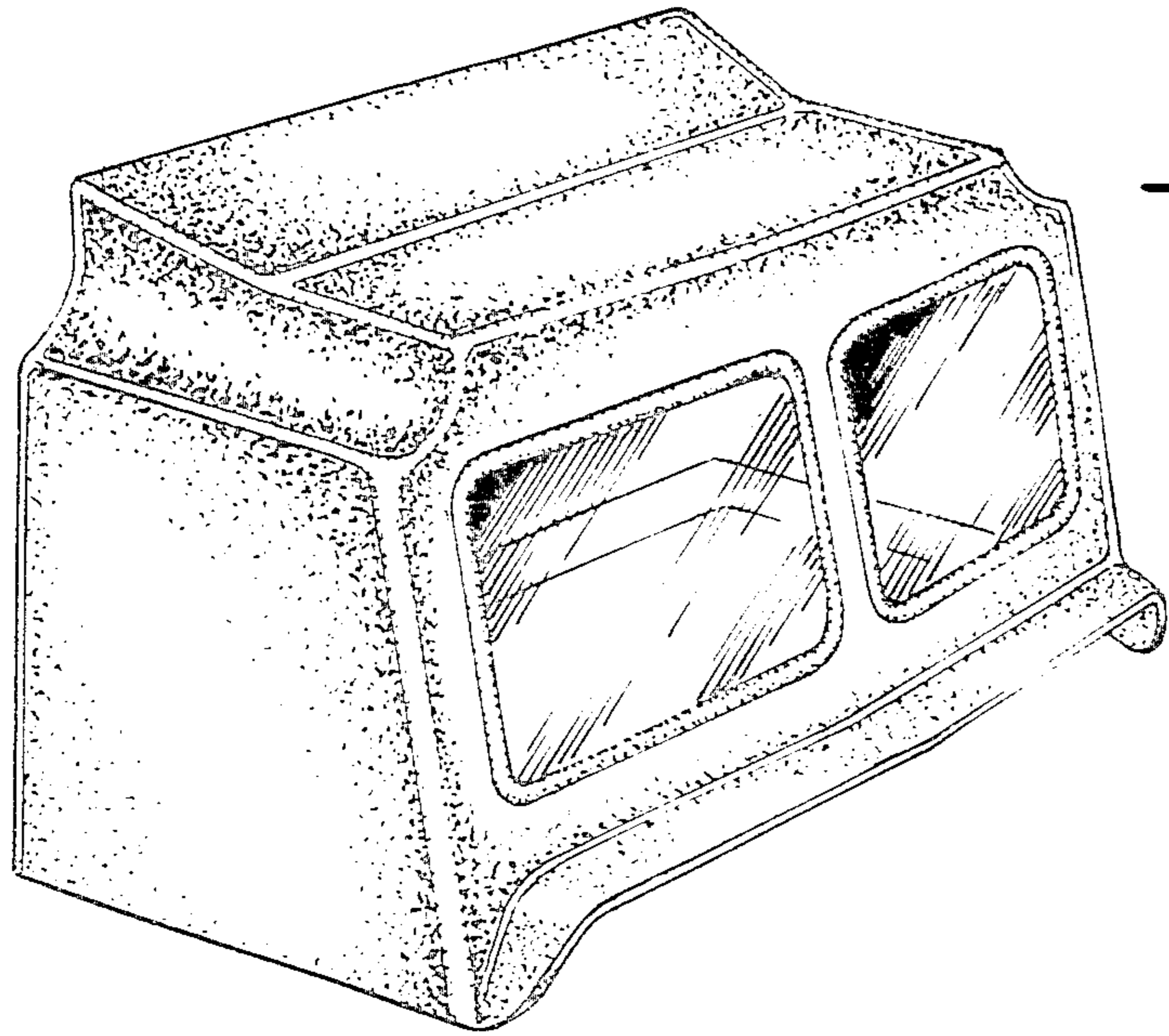


FIG. 1

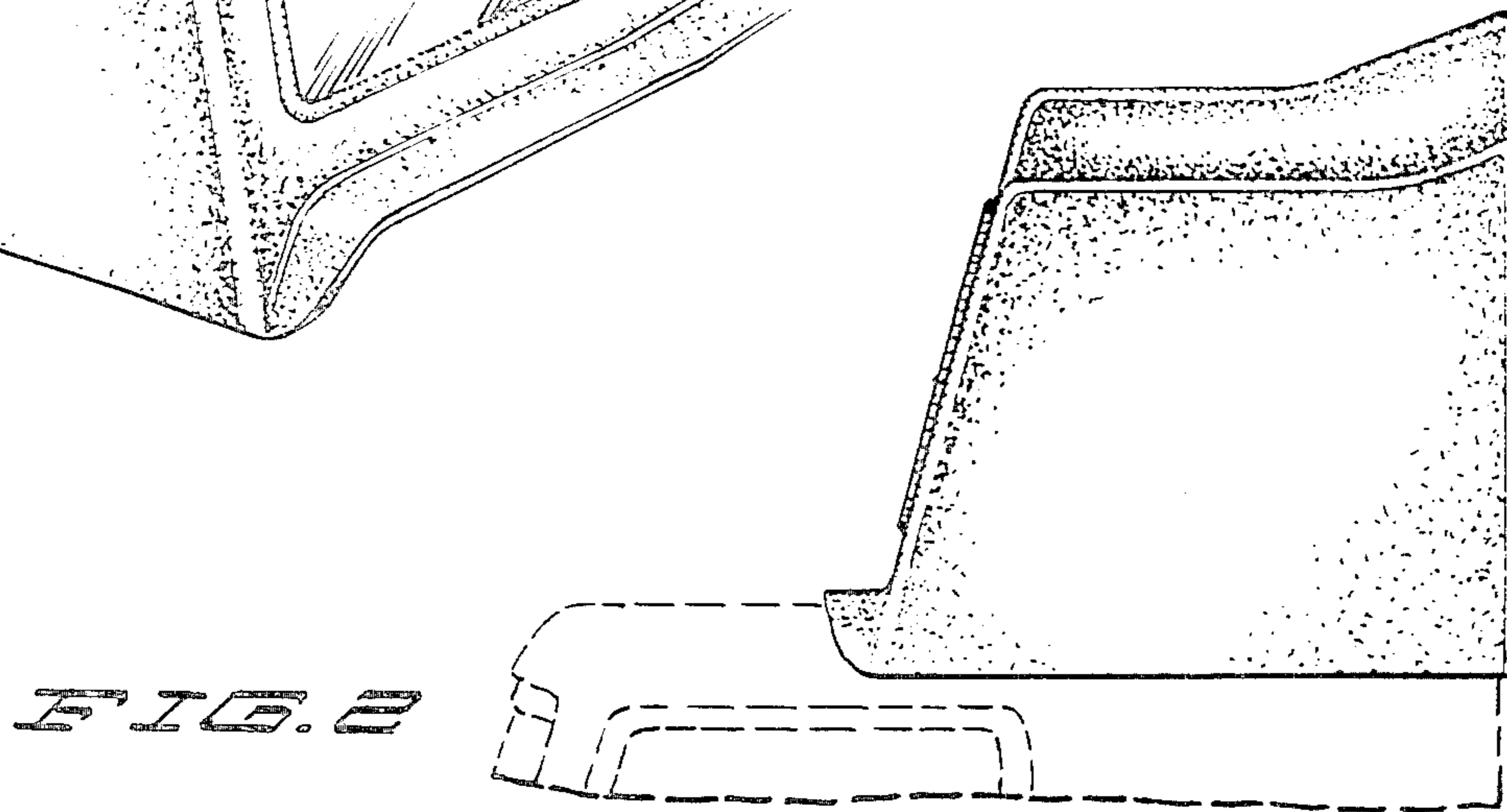


FIG. 2

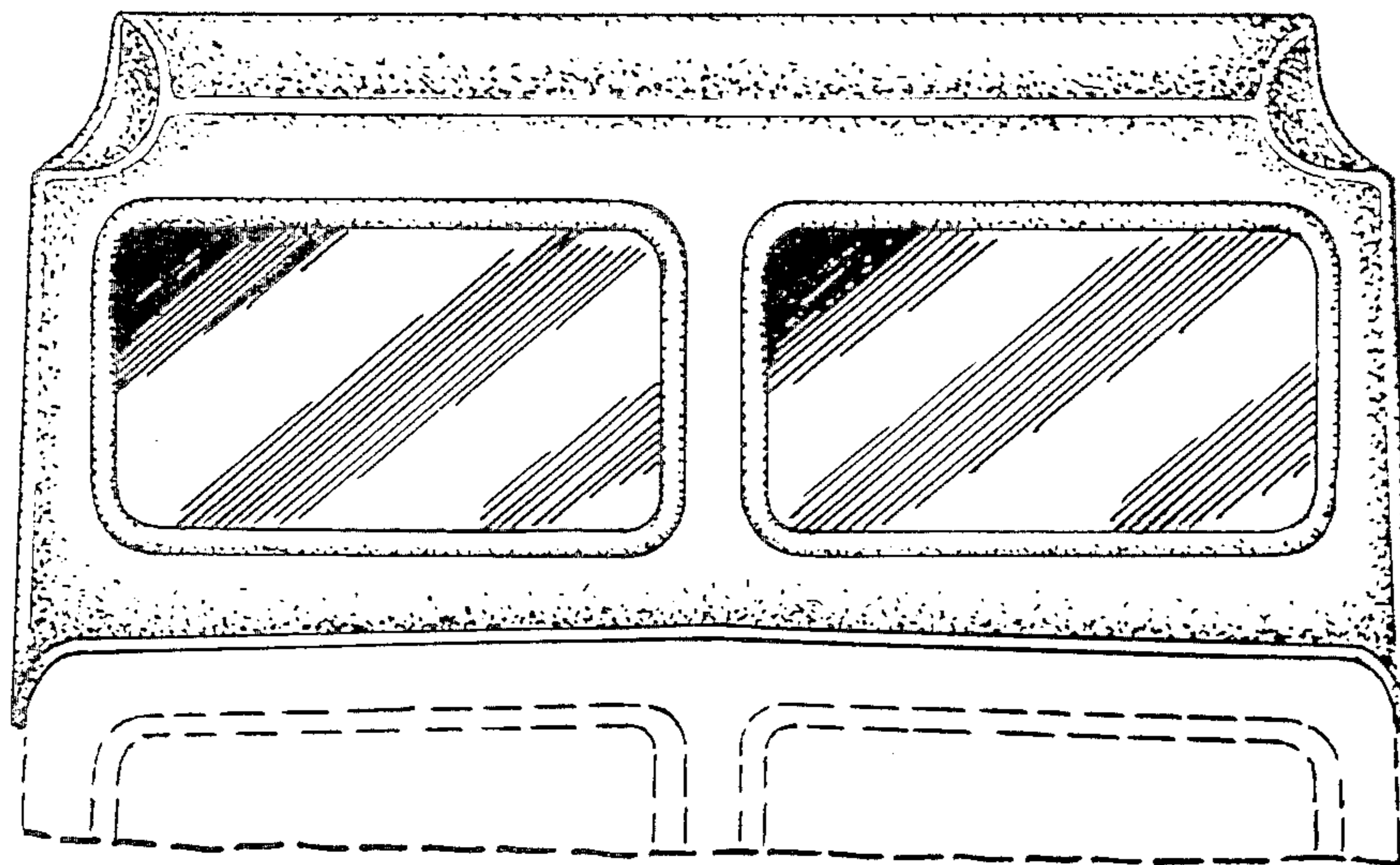


FIG. 3

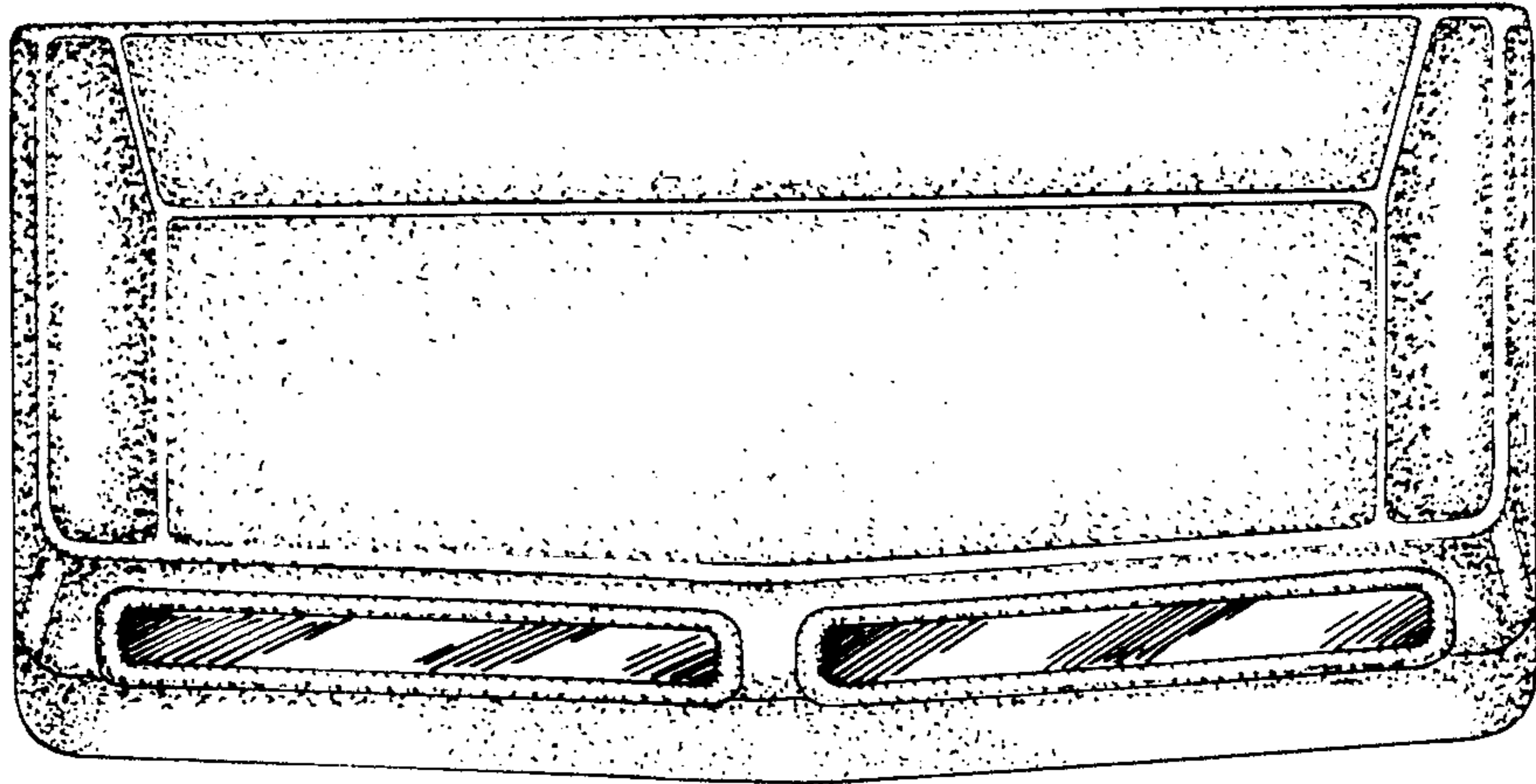


FIG. 5

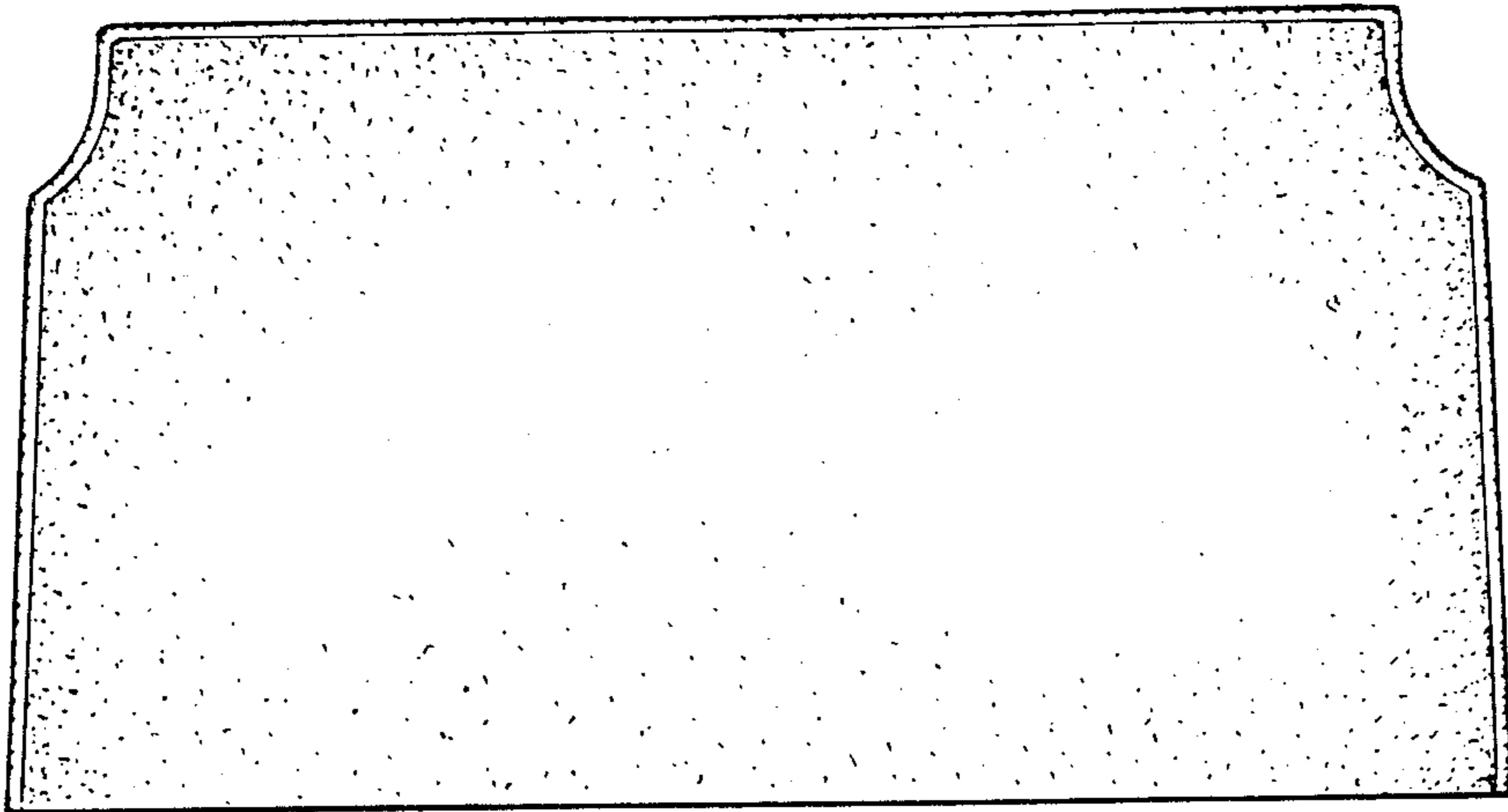


FIG. 4

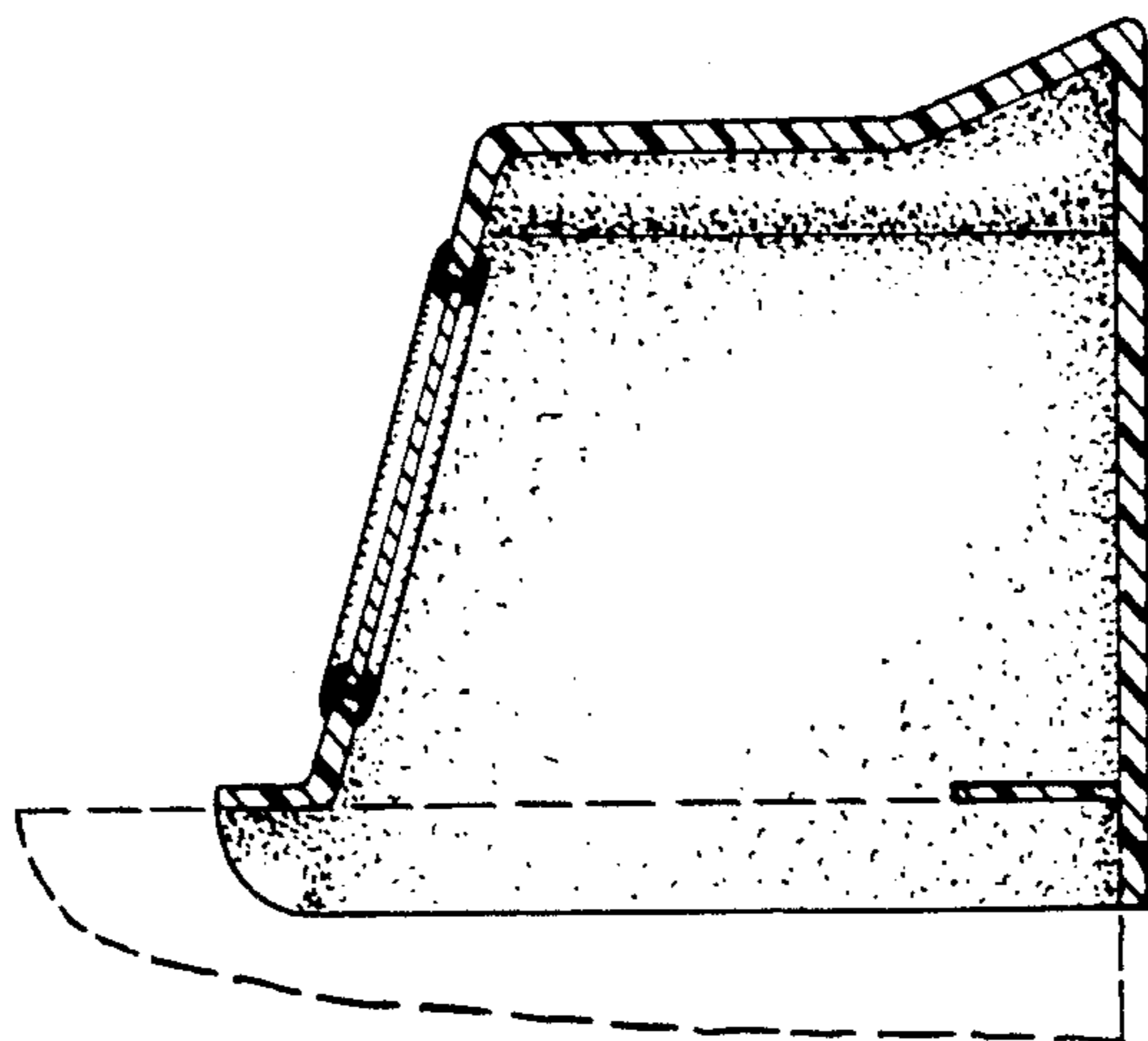


FIG. 6