

[54] WRIST WATCH

[75] Inventor: Roy E. Stevens, Colchester, England

[73] Assignee: Asprey & Company PLC, London, England

[**] Term: 14 Years

[21] Appl. No.: 539,165

[22] Filed: Oct. 5, 1983

[30] Foreign Application Priority Data

Apr. 11, 1983 [GB] United Kingdom 1012416
[52] U.S. Cl. D10/33; D10/39
[58] Field of Search D10/30-33, D10/38, 39, 128; 368/276-278, 281-283, 285

[56] References Cited

U.S. PATENT DOCUMENTS

D. 54,111 11/1919 McMillan D10/33 X
D. 204,894 5/1966 Hurley D10/33 X
1,930,416 10/1933 Chauvot 368/281
4,236,239 11/1980 Imgrüth et al. 368/276 X

FOREIGN PATENT DOCUMENTS

383039 11/1932 United Kingdom .

OTHER PUBLICATIONS

Swiss Watch & Jewelry Journal, 1981, vol. 2, p. 196--Reverso ® Watch by Jaeger-LeCoultre.

Primary Examiner—Louis S. Zarfaz
Attorney, Agent, or Firm—Cushman, Darby & Cushman

[57] CLAIM

The ornamental design for a wrist watch, as shown and described.

DESCRIPTION

FIG. 1 is a front elevational view of a wrist watch showing my new design;
FIG. 2 is a fragmentary rear elevational view on an enlarged scale;
FIG. 3 is a side elevational view thereof;
FIG. 4 is an enlarged fragmentary front elevational view of the watch in an alternate position;
FIG. 5 is a sectional view taken on line 5-5 of FIG. 4;
FIG. 6 is a sectional view taken on line 6-6 of FIG. 4;
FIG. 7 is an enlarged fragmentary perspective view of the watch in a transitional position;
FIG. 8 is an enlarged fragmentary front elevational view of a wrist watch showing a modified form of my new design, wherein the domino-like spot indicia are varied; and
FIG. 9 is an enlarged fragmentary front elevational view of a wrist watch showing another modified form of my new design with another variation of the indicia.

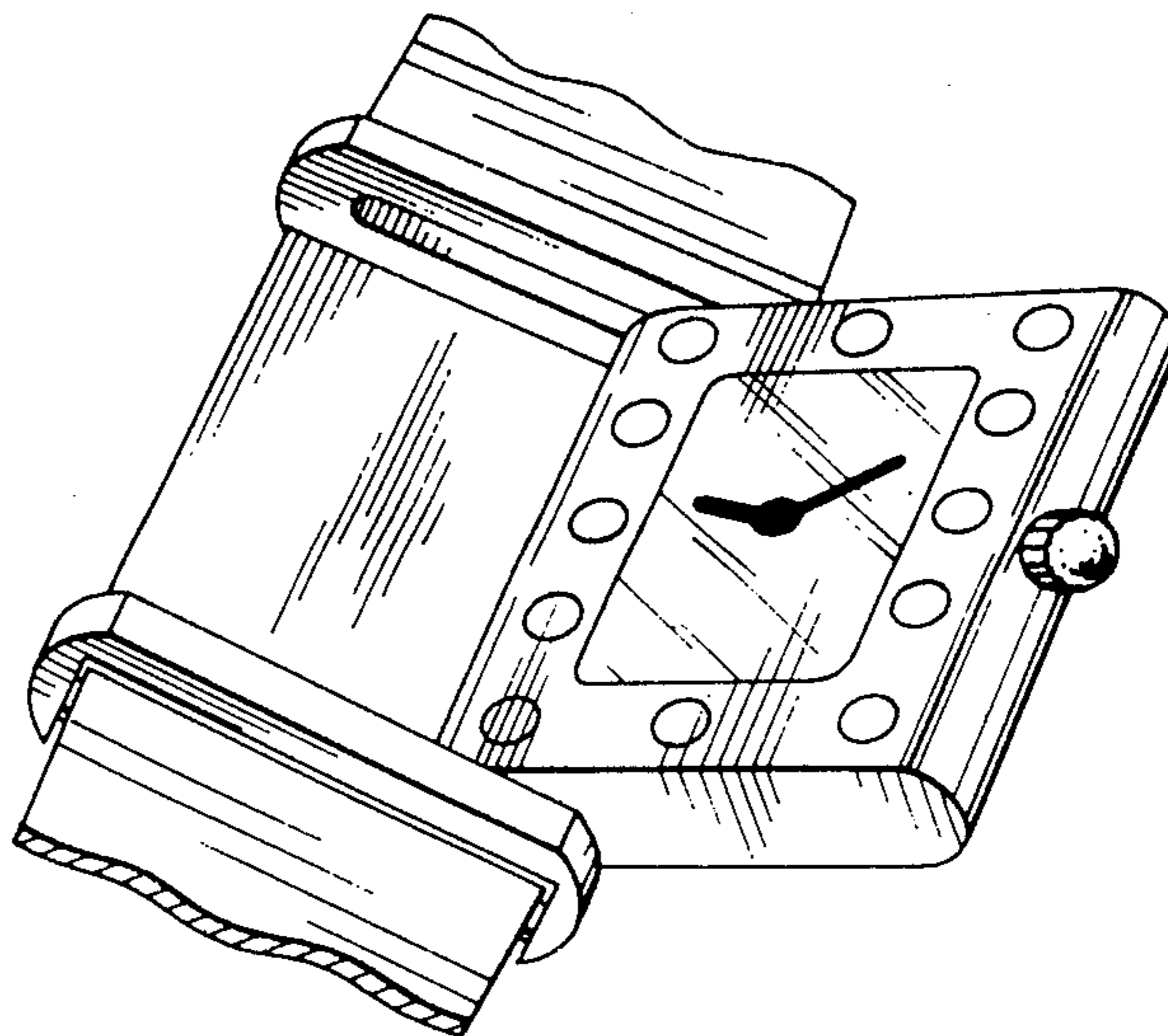
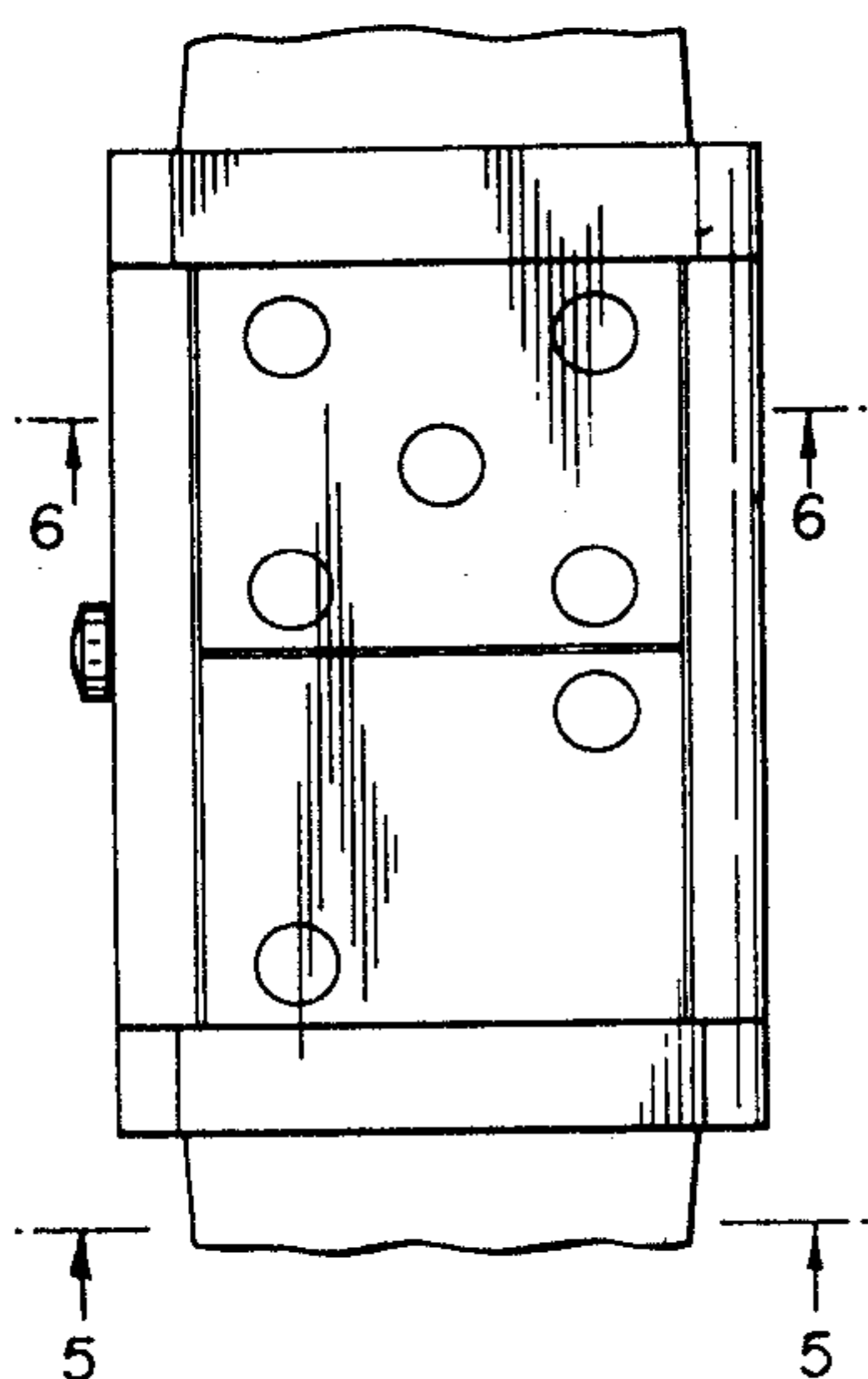


FIG. 1

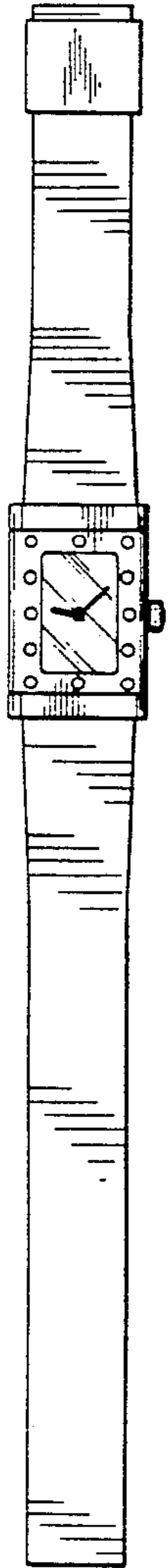


FIG. 4

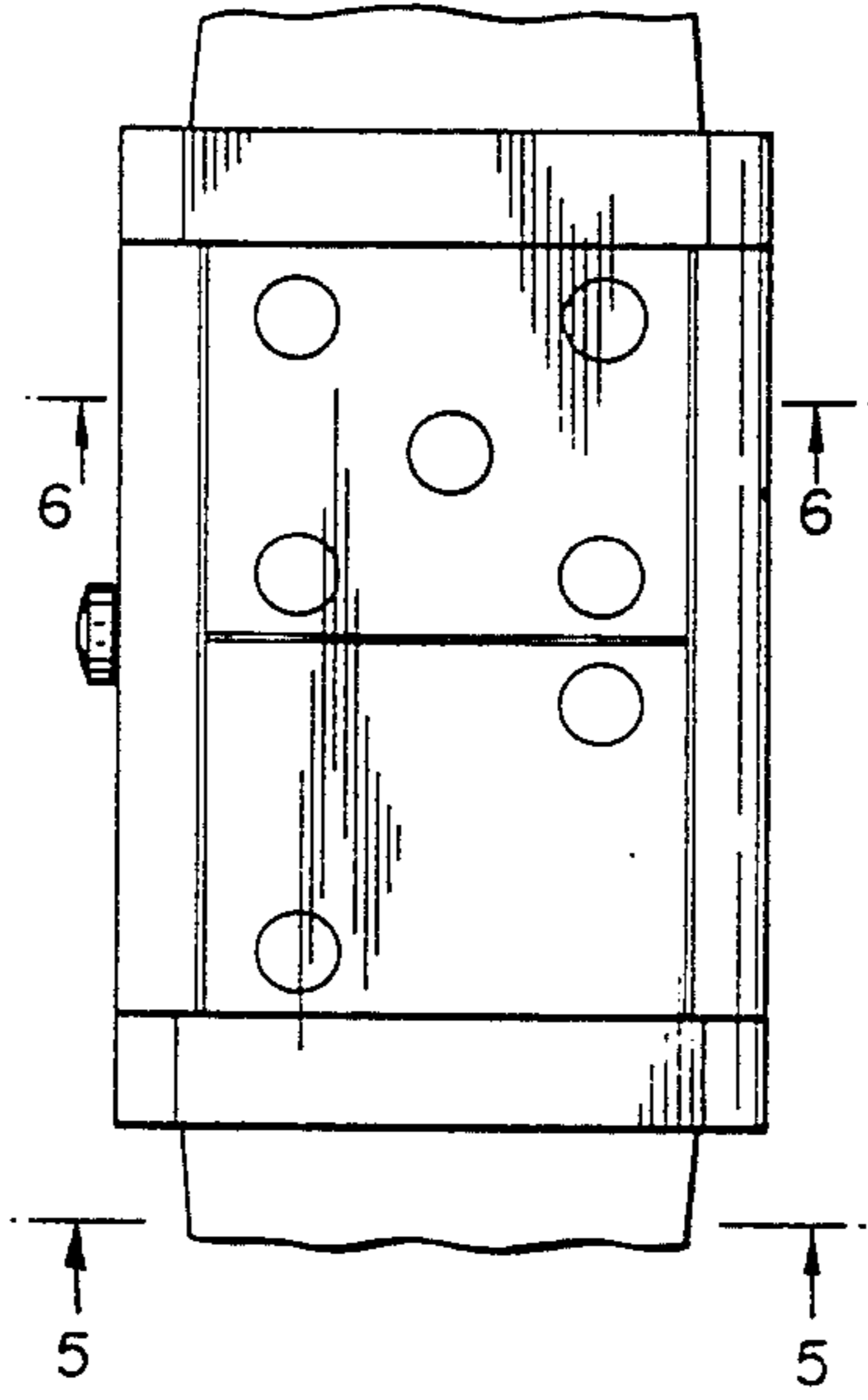


FIG. 3

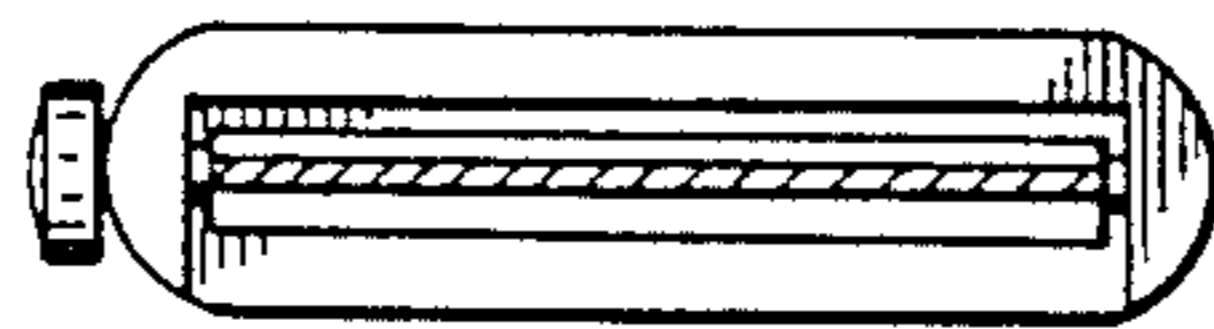


FIG. 5

FIG. 6

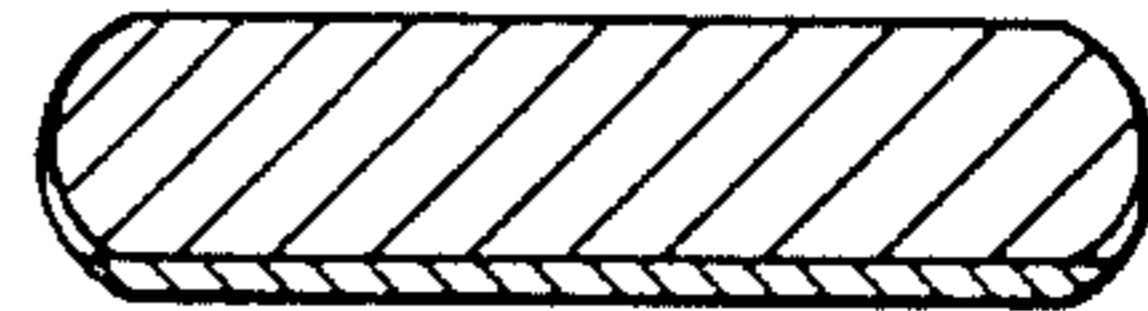


FIG. 2

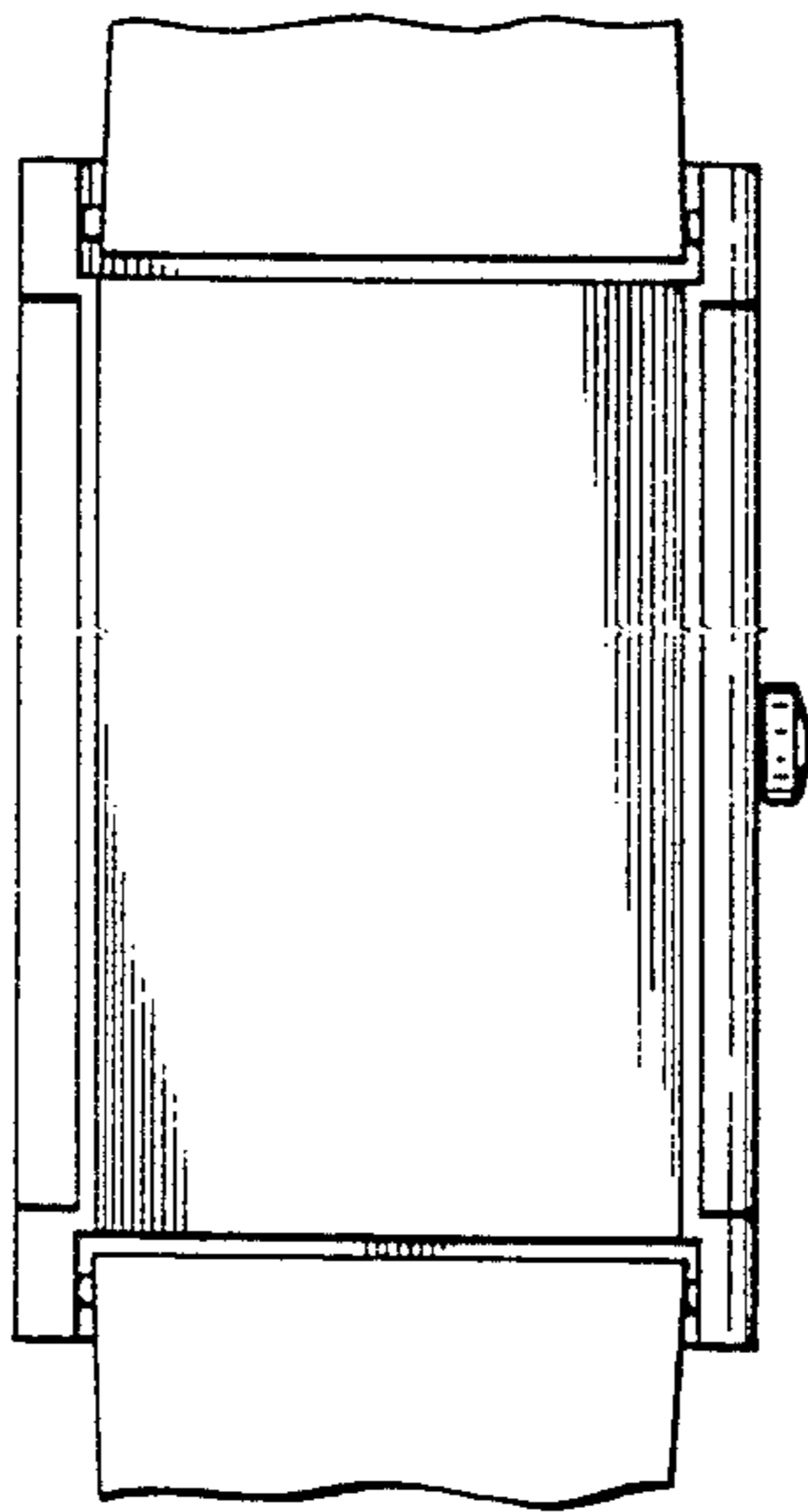


FIG. 7

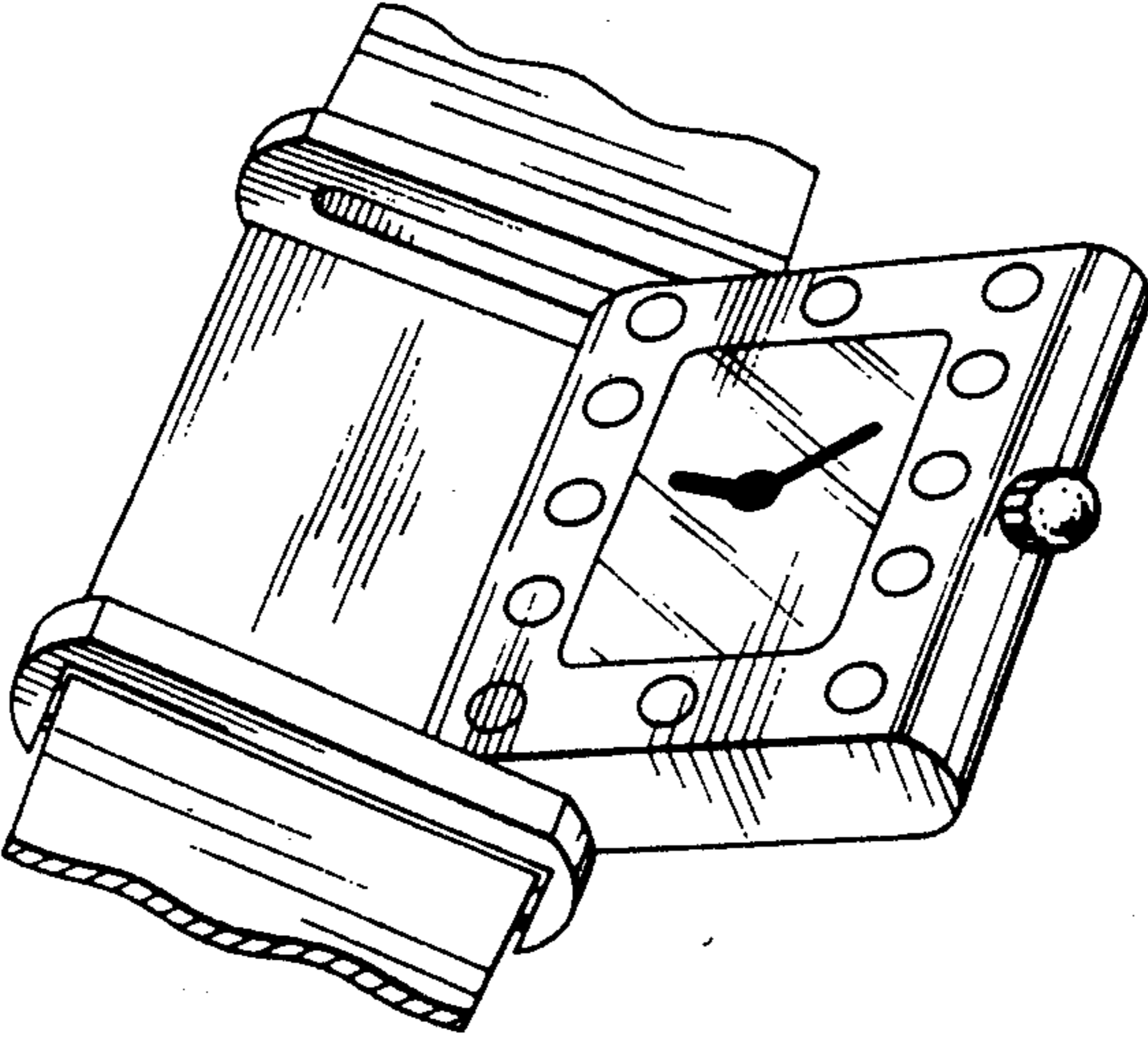


FIG. 8

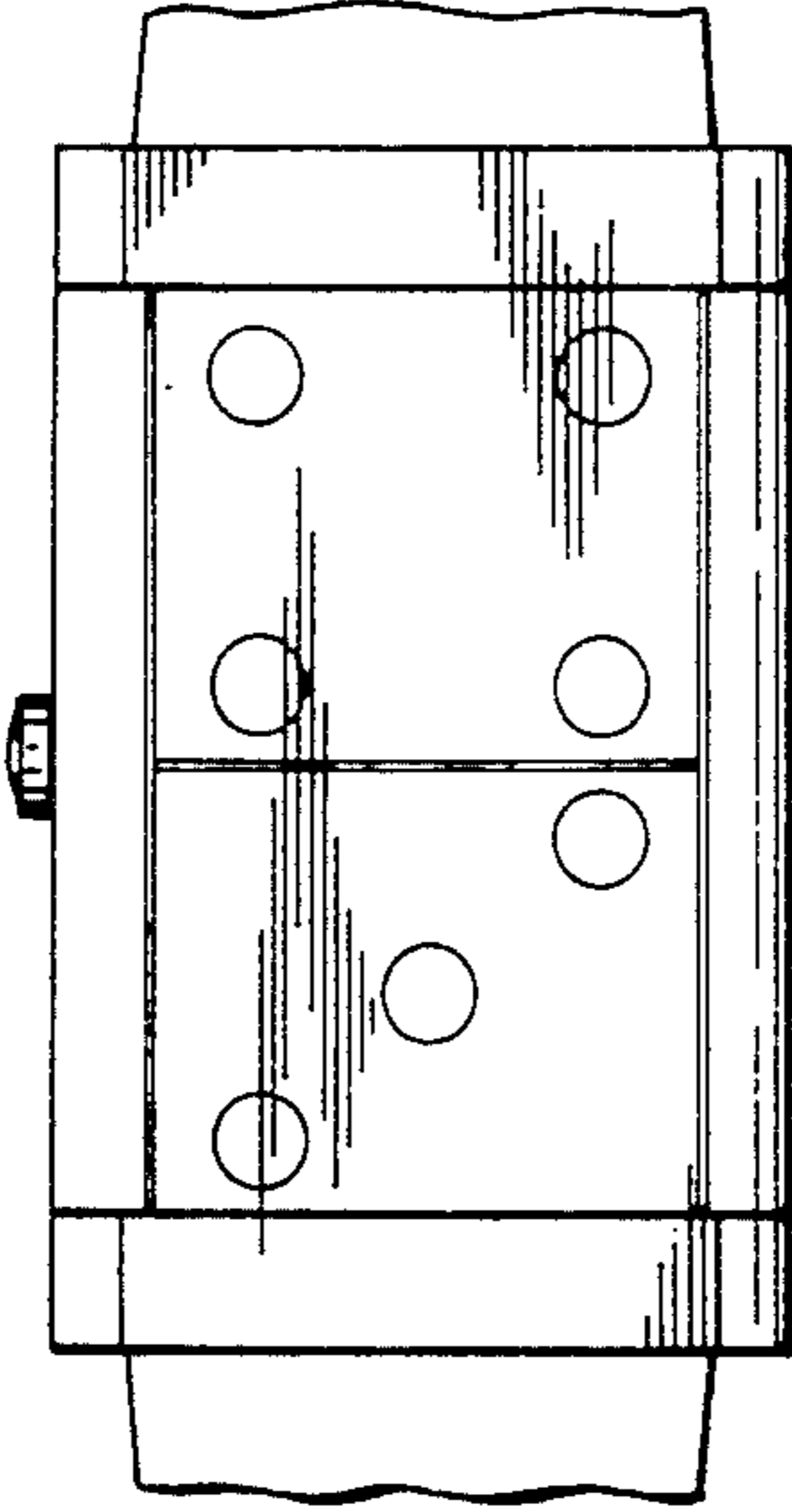


FIG. 9

