

[54] **CHAIN LINK FOR CONVEYORS**

[75] Inventors: **Roger H. Schroeder**, Hartland;
Wasyly G. Hodlewsky, Greendale,
both of Wis.

[73] Assignee: **Rexnord Inc.**, Brookfield, Wis.

[**] Term: **14 Years**

[21] Appl. No.: **534,919**

[22] Filed: **Sep. 22, 1983**

[52] U.S. Cl. **D8/499; D34/35**

[58] Field of Search **D34/29, 35; D8/499;**
198/850, 852, 853, 848, 849

[56] **References Cited**

U.S. PATENT DOCUMENTS

3,457,721 7/1969 Trudeau 198/850
3,631,965 1/1972 Koshkin et al. 198/853

OTHER PUBLICATIONS

"Cambridge CAM-CLEAN plastic belting" brochure,
copyright 1983.

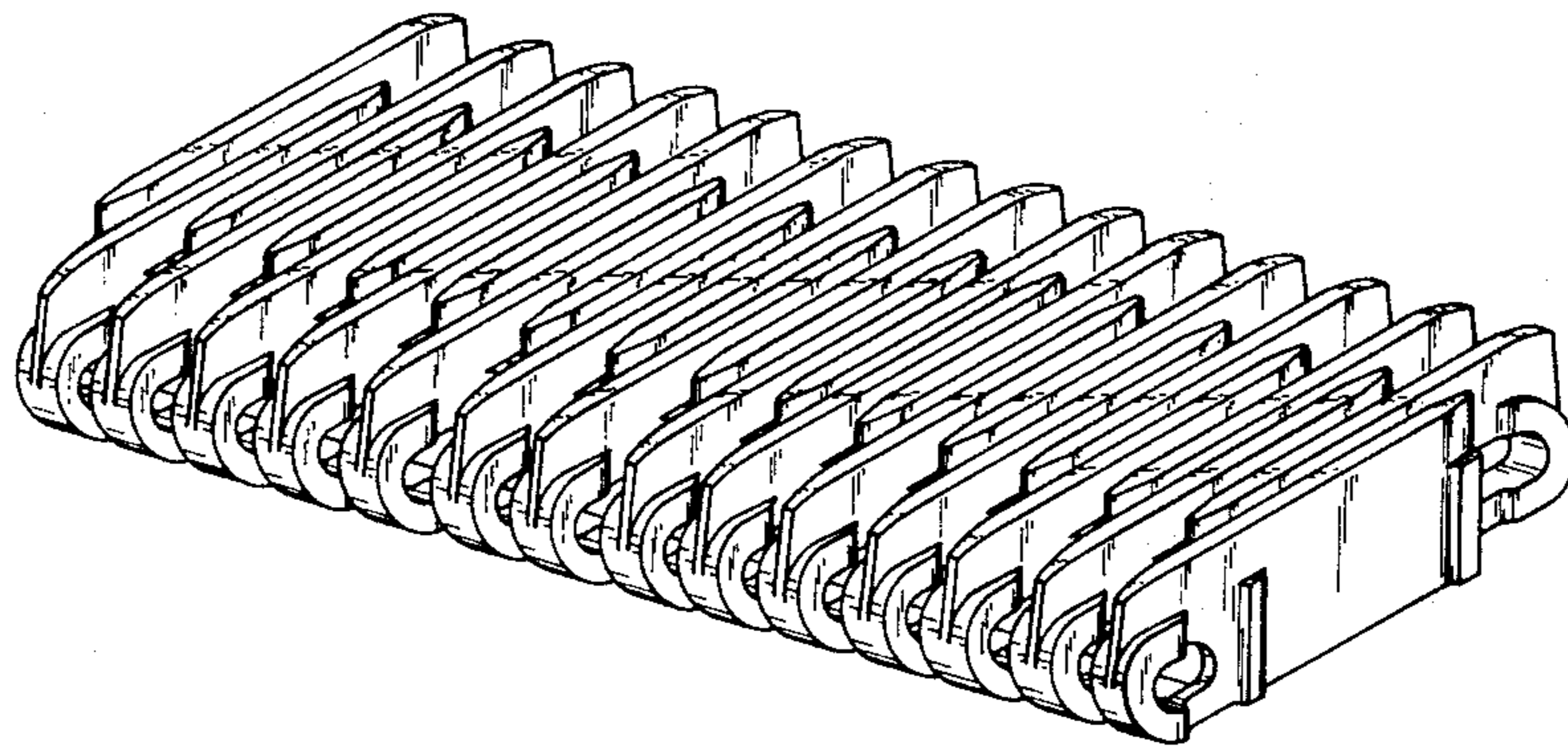
Primary Examiner—Wallace R. Burke
Assistant Examiner—Brian N. Vinson
Attorney, Agent, or Firm—William L. Falk

[57] **CLAIM**

The ornamental design for a chain link for conveyors,
as shown and described.

DESCRIPTION

FIG. 1 is a top plan view of a chain link for a conveyor
showing our new design;
FIG. 2 is a front elevation thereof;
FIG. 3 is a bottom plan view thereof;
FIG. 4 is an inverted rear elevation thereof;
FIG. 5 is a left side elevation thereof;
FIG. 6 is a right side elevation thereof;
FIG. 7 is a perspective view thereof.



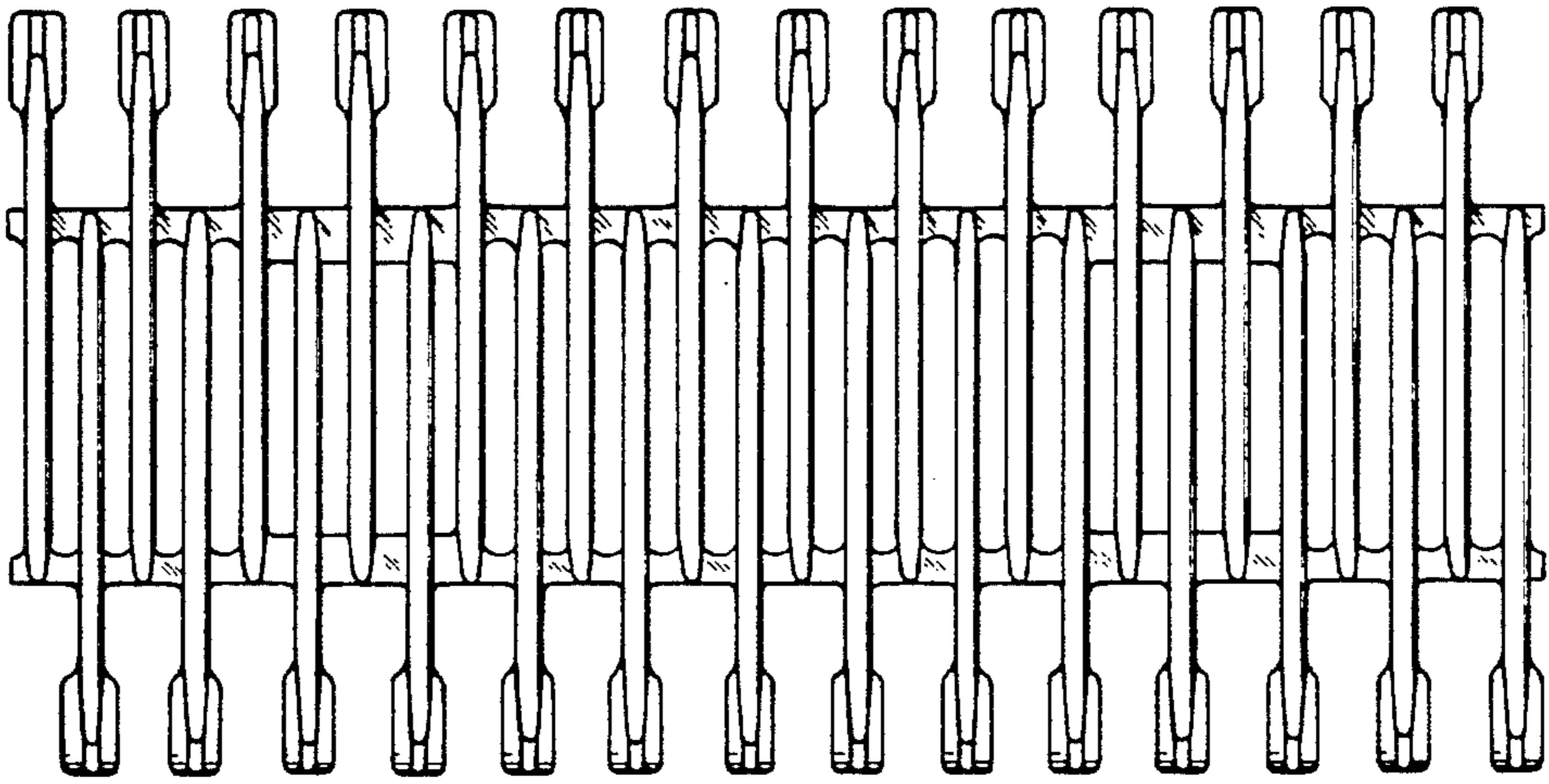


FIG. 1

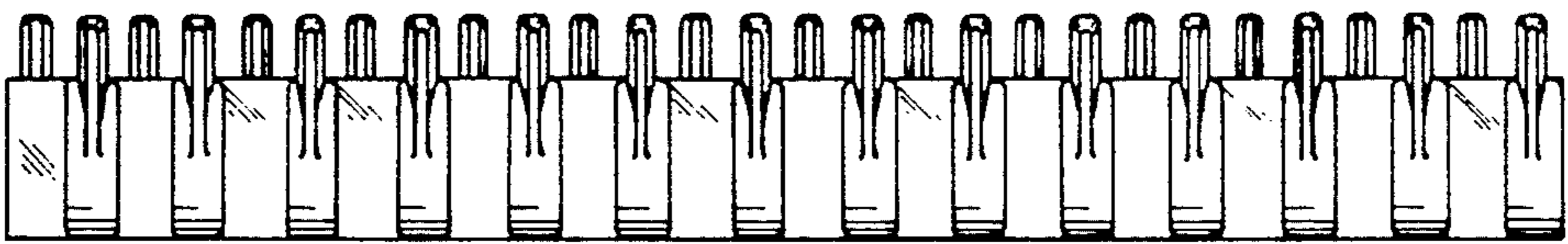


FIG. 2

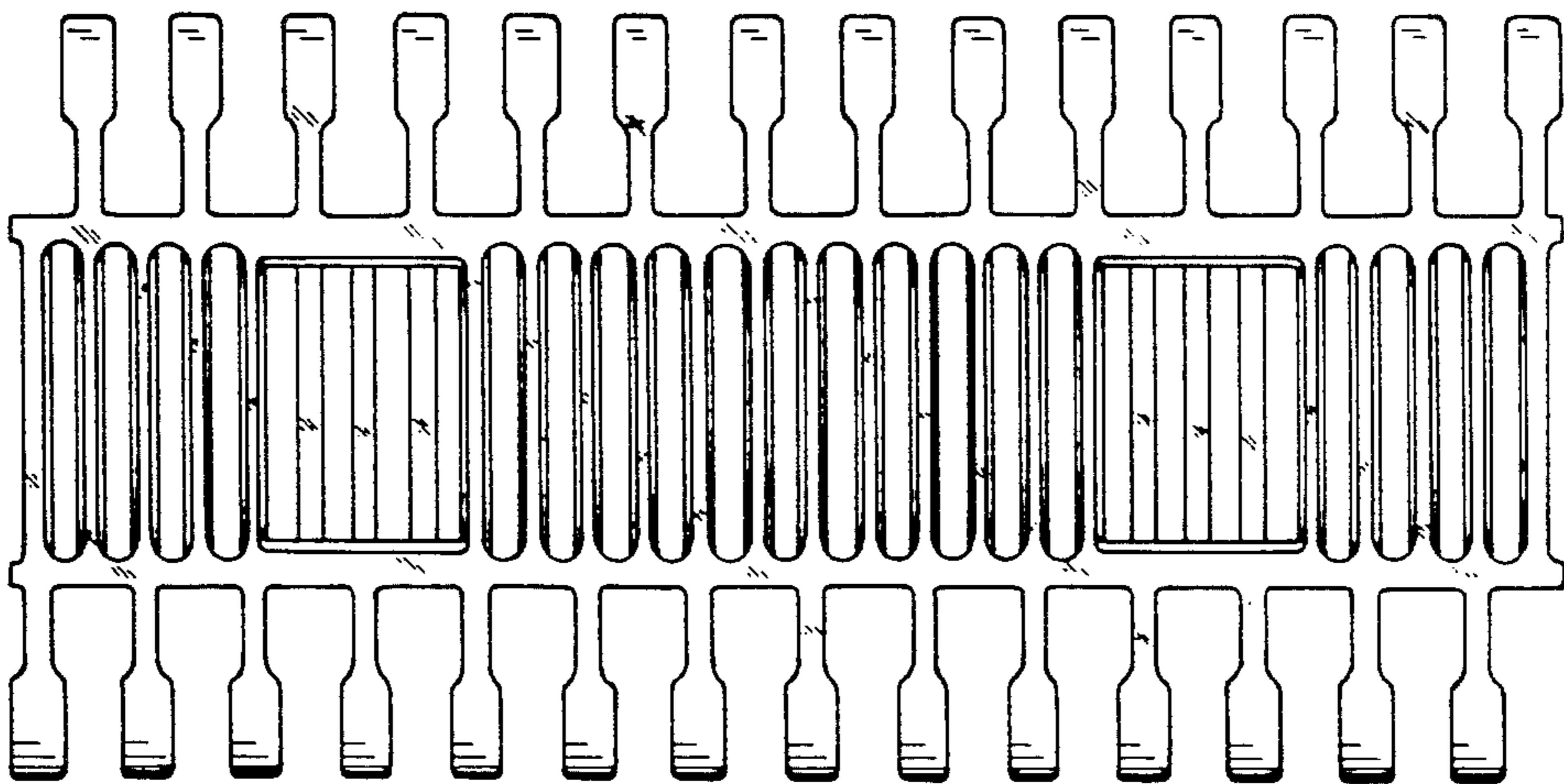


FIG. 3

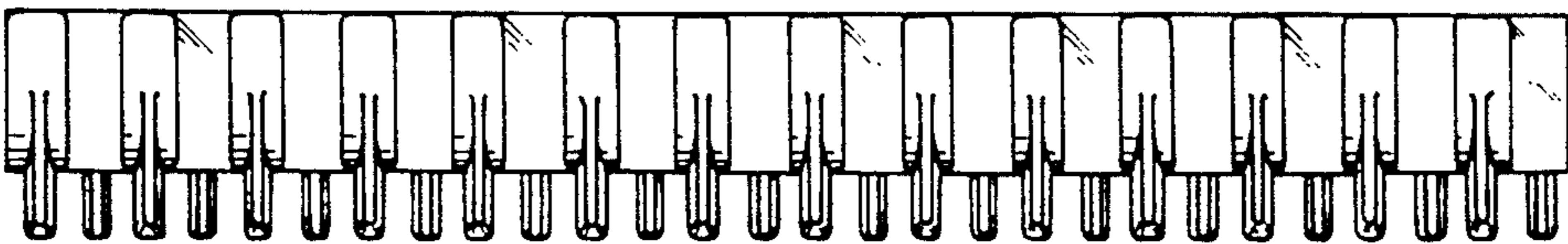


FIG. 4

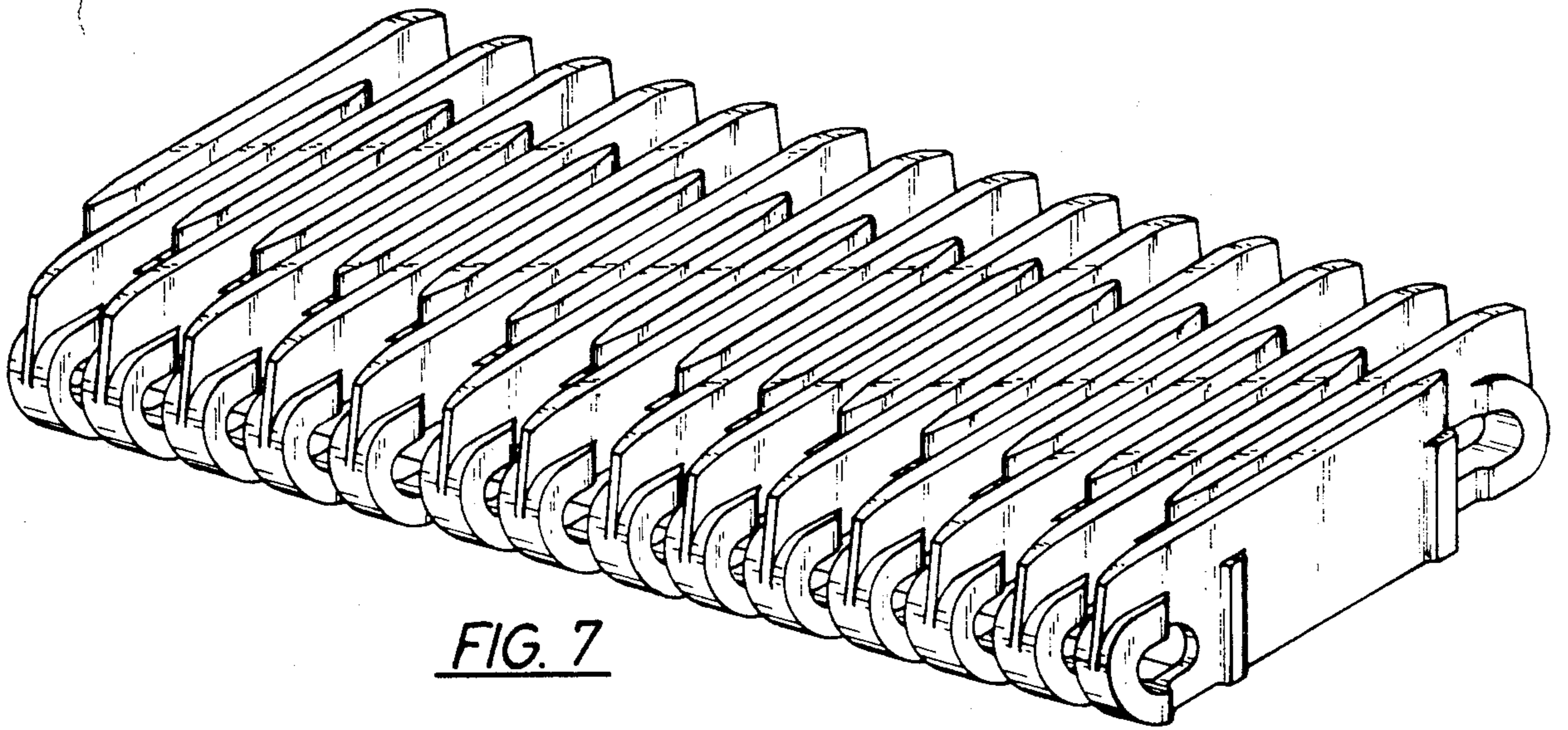


FIG. 7

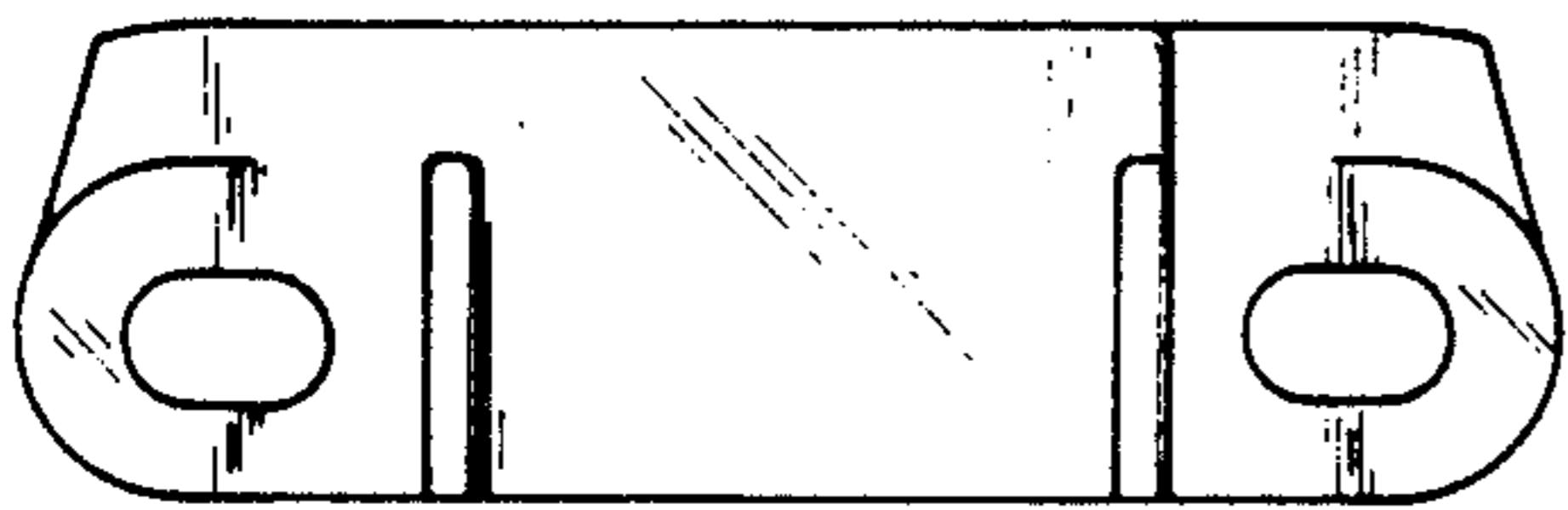


FIG. 5



FIG. 6