

[54] FLEXIBLE SUPPORT FOR HOLDING A RECREATIONAL VEHICLE DRAINAGE HOSE TAUT, OR SIMILAR ARTICLE

[76] Inventor: Ralph Baker, 19240 Circle Rd., P.O. Box 373, Oro Grande, Calif. 92368

[**] Term: 14 Years

[21] Appl. No.: 535,889

[22] Filed: Sep. 26, 1983

[52] U.S. Cl. D8/356; D8/380

[58] Field of Search D8/382, 394-396, D8/373, 356, 380; 248/49, 58, 60, 75

[56] References Cited

U.S. PATENT DOCUMENTS

D. 260,600	9/1981	Taylor	D8/356
2,881,804	4/1959	Bub et al.	248/49
3,819,137	6/1974	Smith	248/49
4,102,523	7/1978	Finnell	248/60
4,194,711	3/1980	Winton	248/49
4,228,978	10/1980	Hand	248/75
4,403,758	9/1983	Burt	248/49

Primary Examiner—B. J. Bullock
Attorney, Agent, or Firm—John H. Crowe

[57] CLAIM

The ornamental design for a flexible support for holding a recreational vehicle drainage hose taut, or similar article, substantially as shown and described.

DESCRIPTION

FIG. 1 is an isometric view of a flexible support for holding a recreational vehicle drainage hose taut, or similar article, showing my new design and positioned for use in embrace of such a drainage hose, the hose being omitted for better illustrative effect.

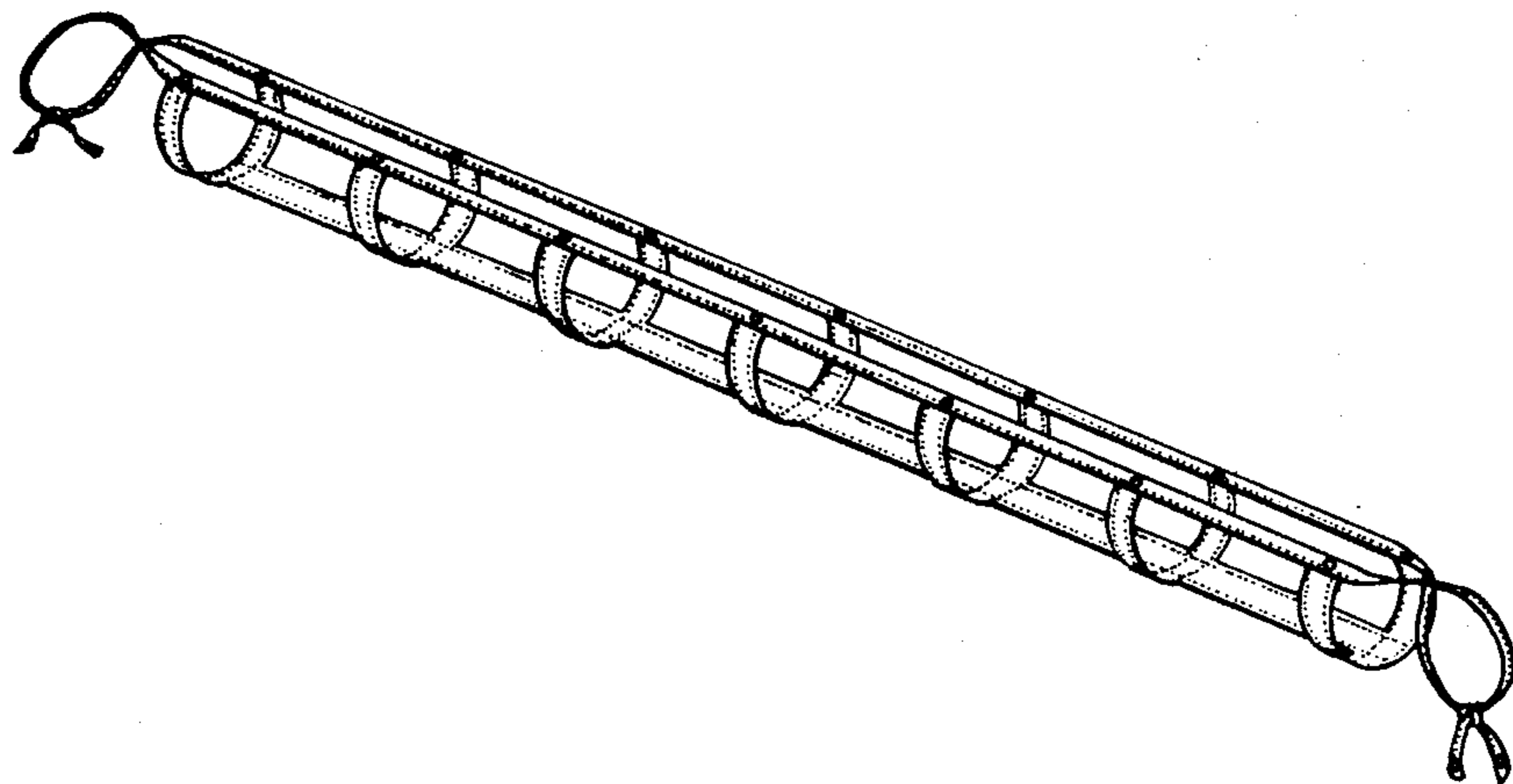
FIG. 2 is an enlarged side elevational view thereof in a flattened position, the opposite side elevational view being a substantial duplicate thereof.

FIG. 3 is a right side elevational view of FIG. 2.

FIG. 4 is a left side elevational view of FIG. 2.

FIG. 5 is an enlarged fragmentary view thereof, taken between the arrows 5—5 of FIG. 2.

FIG. 6 is an enlarged view of FIG. 3, taken along the line 6—6 of the latter figure, the opposite end view being a mirror image thereof.



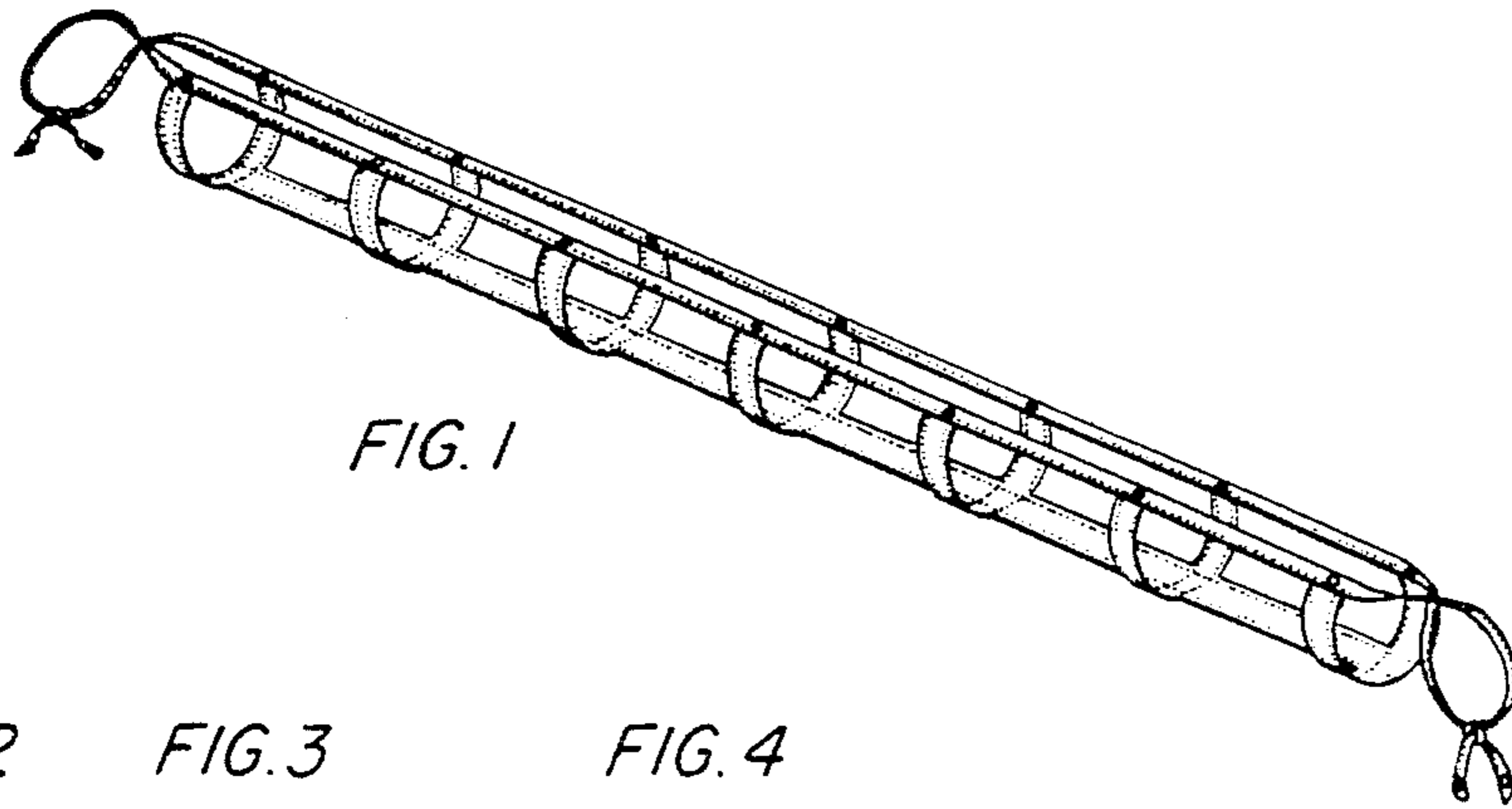


FIG. 2

FIG. 3

FIG. 4

