

[54] COMBINATION CAN OPENER AND BLENDER ASSEMBLY

[75] Inventors: Paul Rawson, Easton; Stanley J. Brym, Torrington; Richard H. Yagami, Bridgewater, all of Conn.

[73] Assignee: Dynamics Corporation of America, Greenwich, Conn.

[\*\*] Term: 14 Years

[21] Appl. No.: 696,540

[22] Filed: Jan. 30, 1985

[52] U.S. Cl. .... D8/34; D7/378

[58] Field of Search ..... D7/378, 386, 376, 384, D7/383; D8/33, 34, 36, 37; 30/400, 408, 423-425; 241/281.1, 282.2, 37.5; 366/200, 201, 205, 206, 224, 241, 300, 314, 349

[56] References Cited

U.S. PATENT DOCUMENTS

- D. 198,070 4/1964 Musichuk .
- D. 206,780 1/1967 Dewenter ..... D7/378 X
- D. 216,237 12/1969 Levin .
- D. 217,522 5/1970 Madl .
- D. 240,700 7/1976 Scott et al. .
- D. 254,356 3/1980 Carlsson .
- 3,159,912 12/1964 Posenar ..... 30/424 X
- 3,881,705 5/1975 Greenspan ..... 241/282.2
- 4,008,656 2/1977 Grunar .
- 4,334,724 6/1982 Roger, Sr. .

Primary Examiner—Bernard Ansher  
Assistant Examiner—Terry Pfeffer

Attorney, Agent, or Firm—Sixbey, Friedman & Leedom

[57] CLAIM

The ornamental design for a combination can opener and blender assembly, as shown and described.

DESCRIPTION

FIG. 1 is a front elevational view of a combination can opener and blender assembly showing my new design; FIG. 2 is a rear elevational view thereof; FIG. 3 is a bottom plan view thereof; FIG. 4 is a top plan view thereof; FIG. 5 is a right side elevational view thereof; FIG. 6 is a front elevational view thereof, with the configuration for blender operation shown; FIG. 7 is a rear elevational view of that shown in FIG. 6; FIG. 8 is a bottom plan view of that shown in FIG. 6; FIG. 9 is a top plan view of that shown in FIG. 6; FIG. 10 is a right side elevational view of that shown in FIG. 6; FIG. 11 is a front elevational view of that shown in FIG. 1, shown removed from the support brackets for illustrative purposes; FIG. 12 is a rear elevational view of that shown in FIG. 11; FIG. 13 is a bottom plan view of that shown in FIG. 11; FIG. 14 is a top plan view of that shown in FIG. 11; FIG. 15 is a front side elevational view of that shown in FIG. 11; FIG. 16 is a top, front right side perspective view of that shown in FIG. 1; and FIG. 17 is a bottom rear, right side perspective view of that shown in FIG. 1.

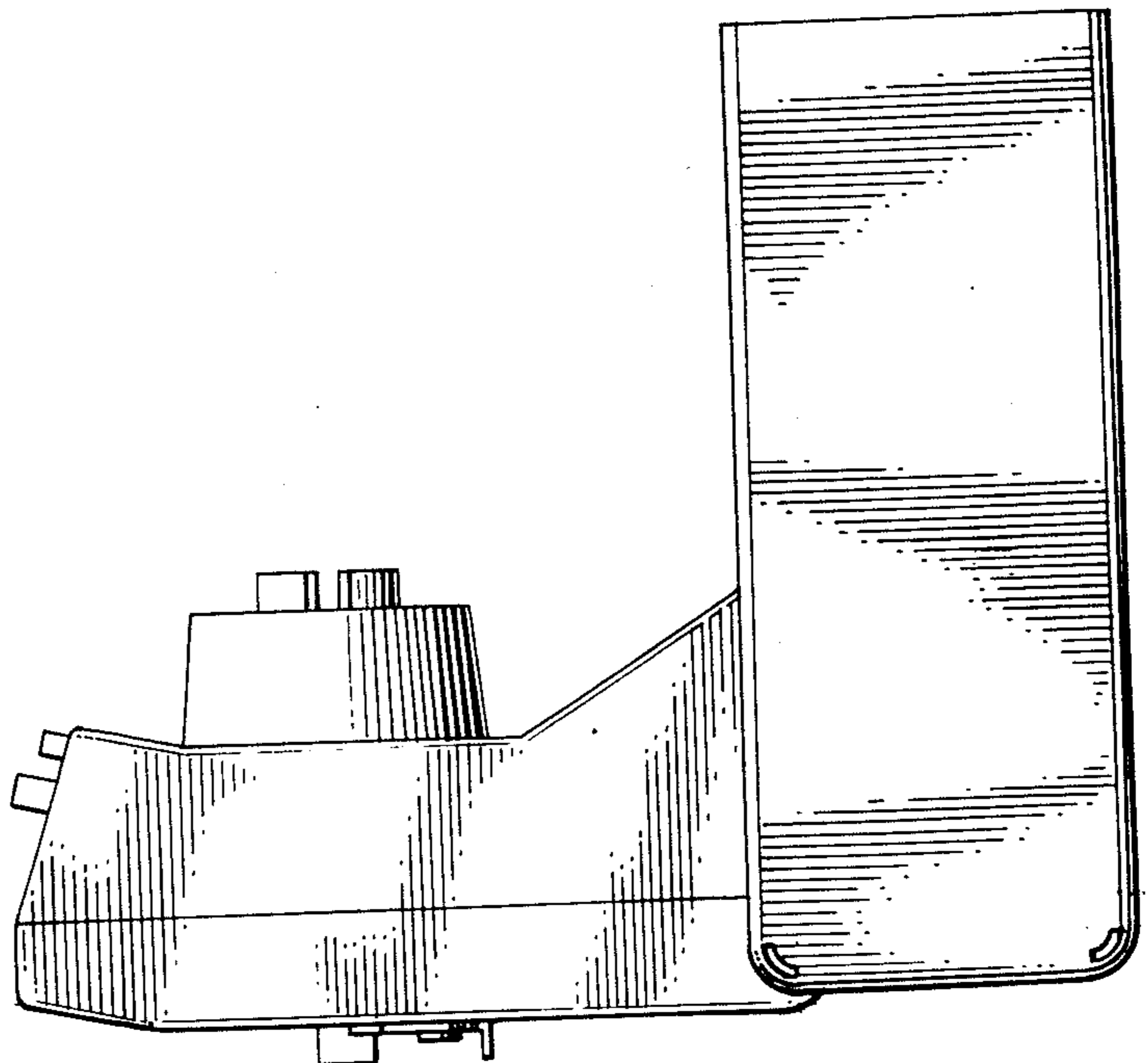
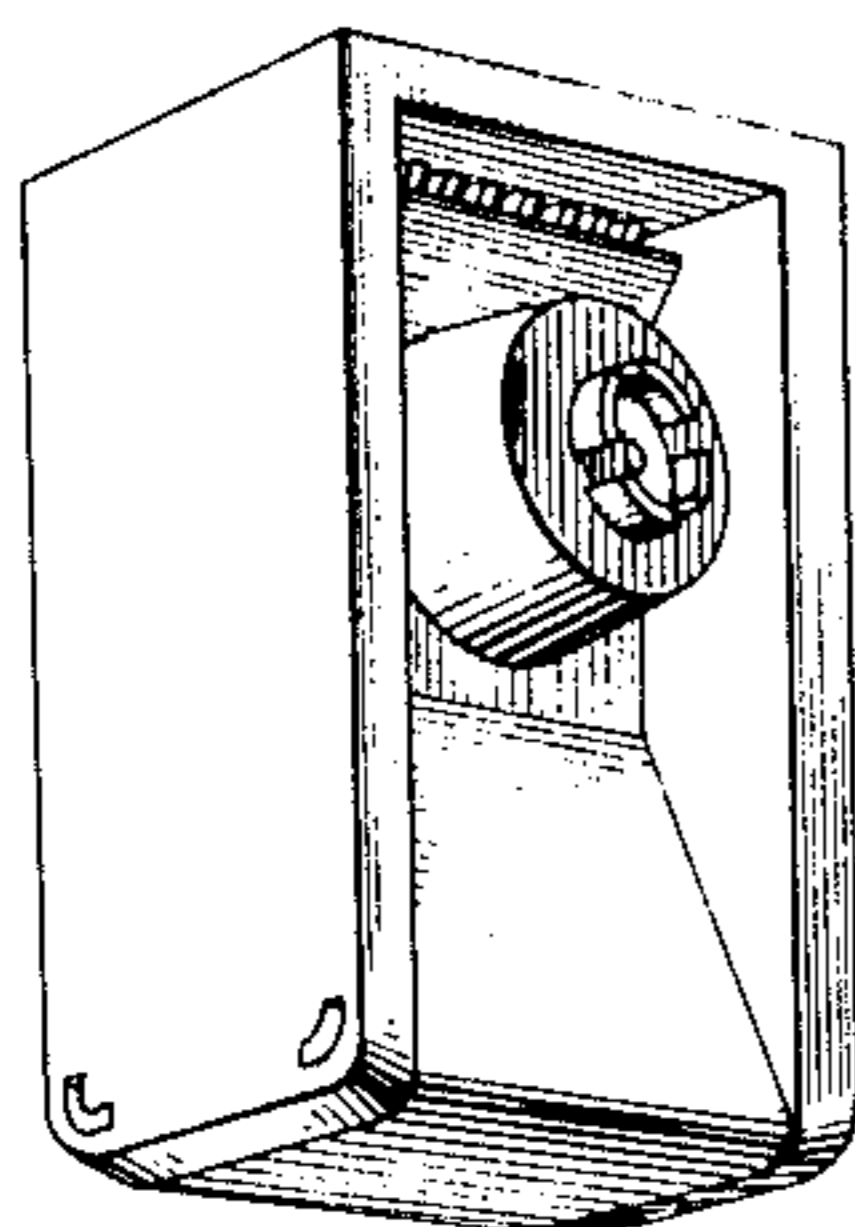
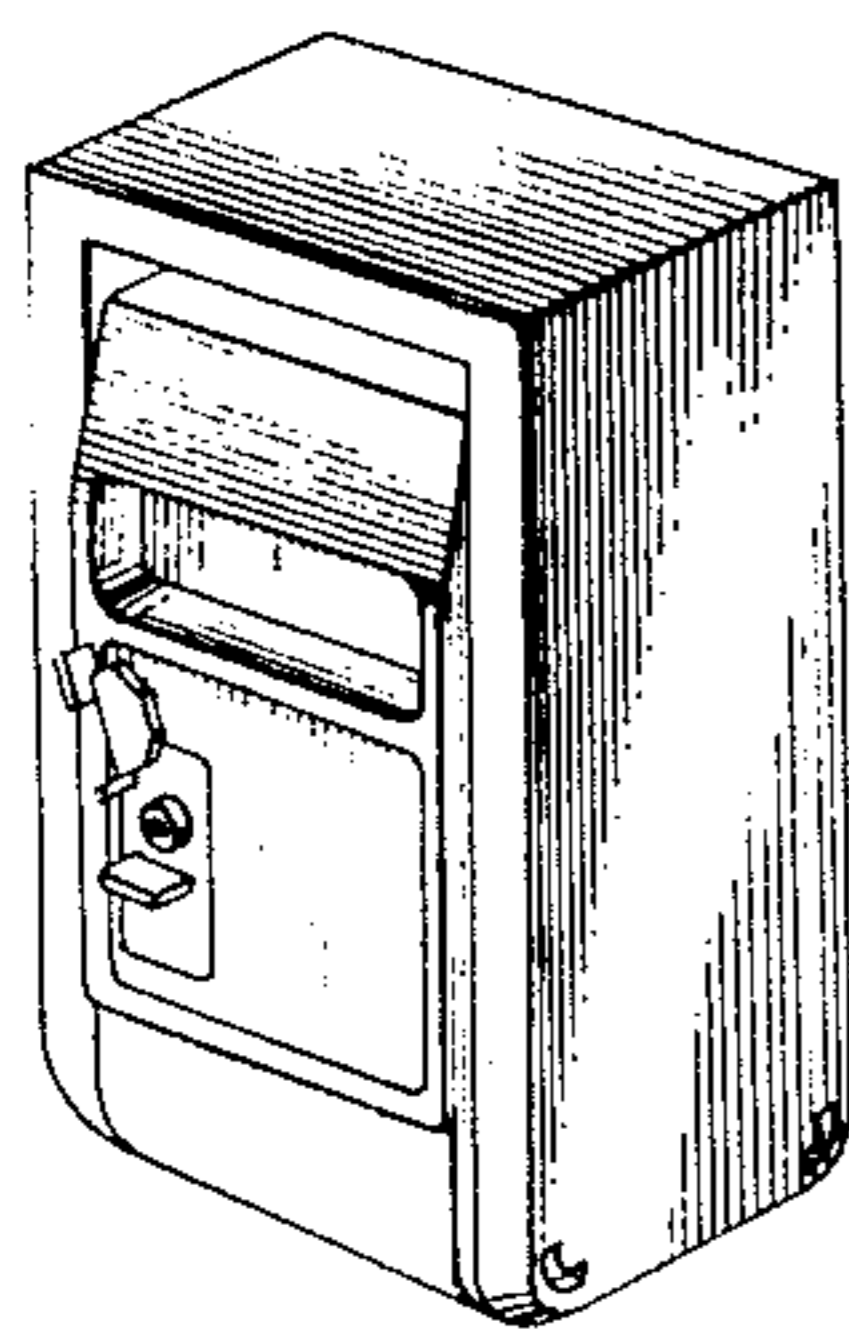


FIG. 1.

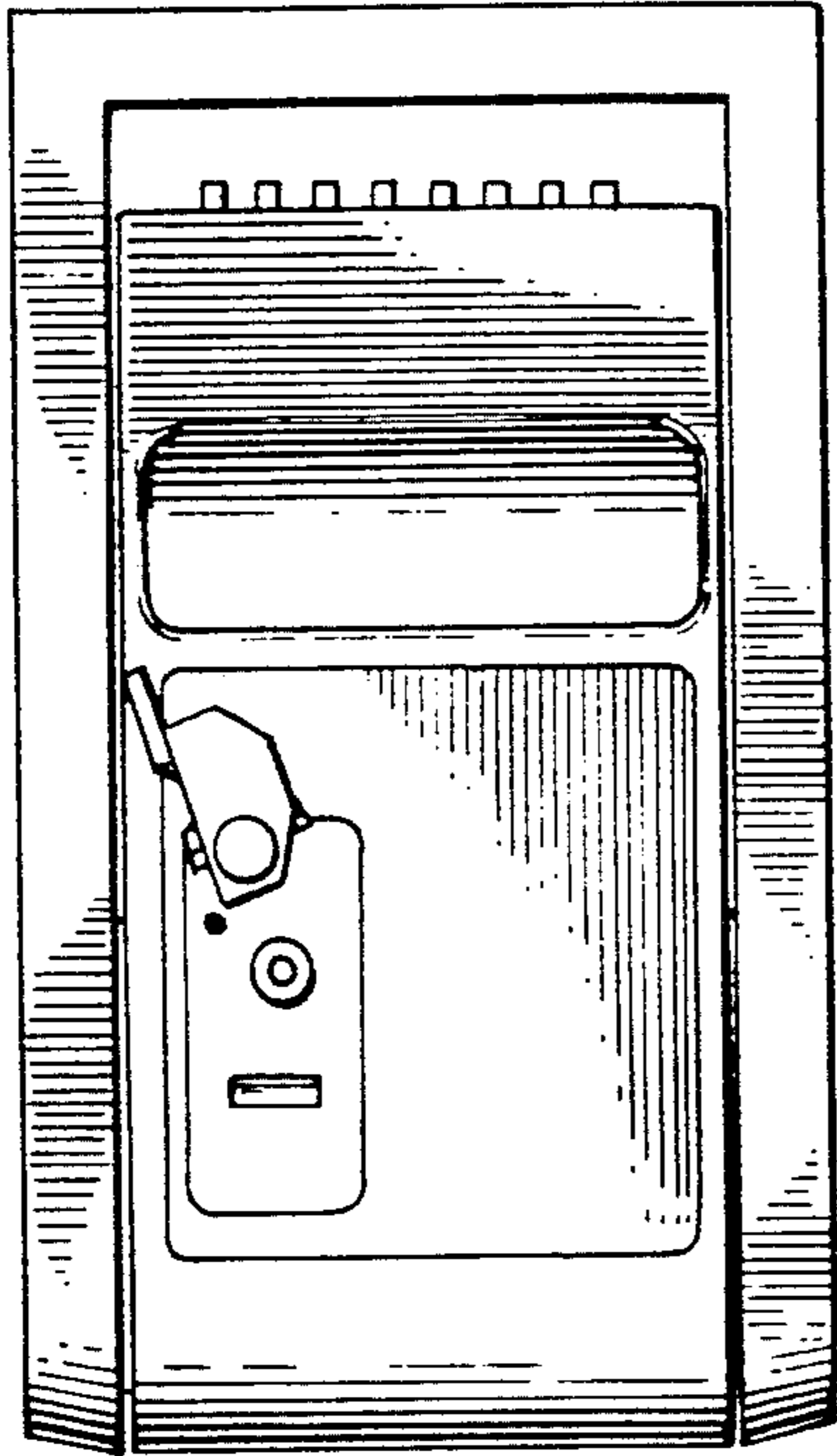


FIG. 2.

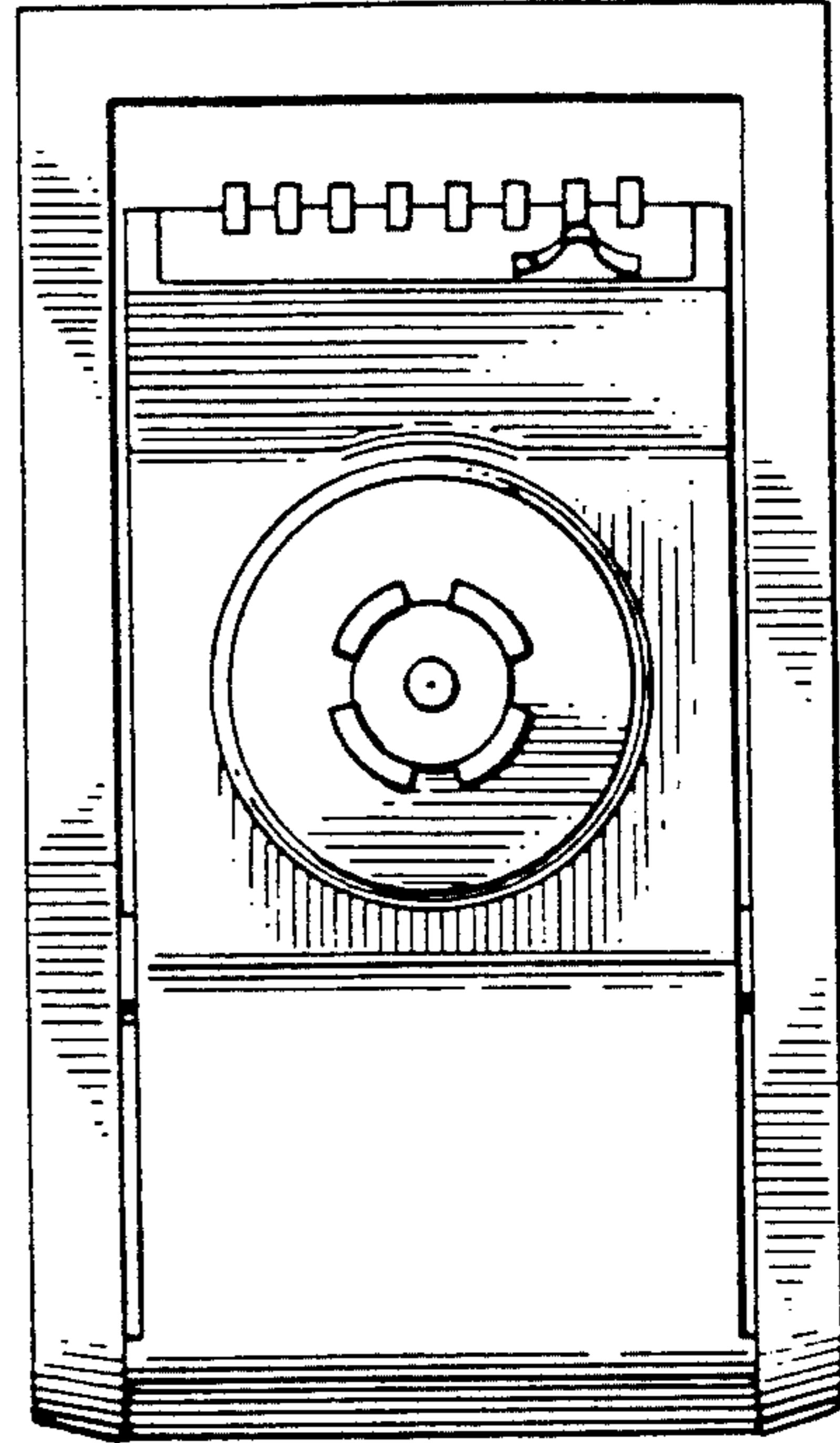


FIG. 3.

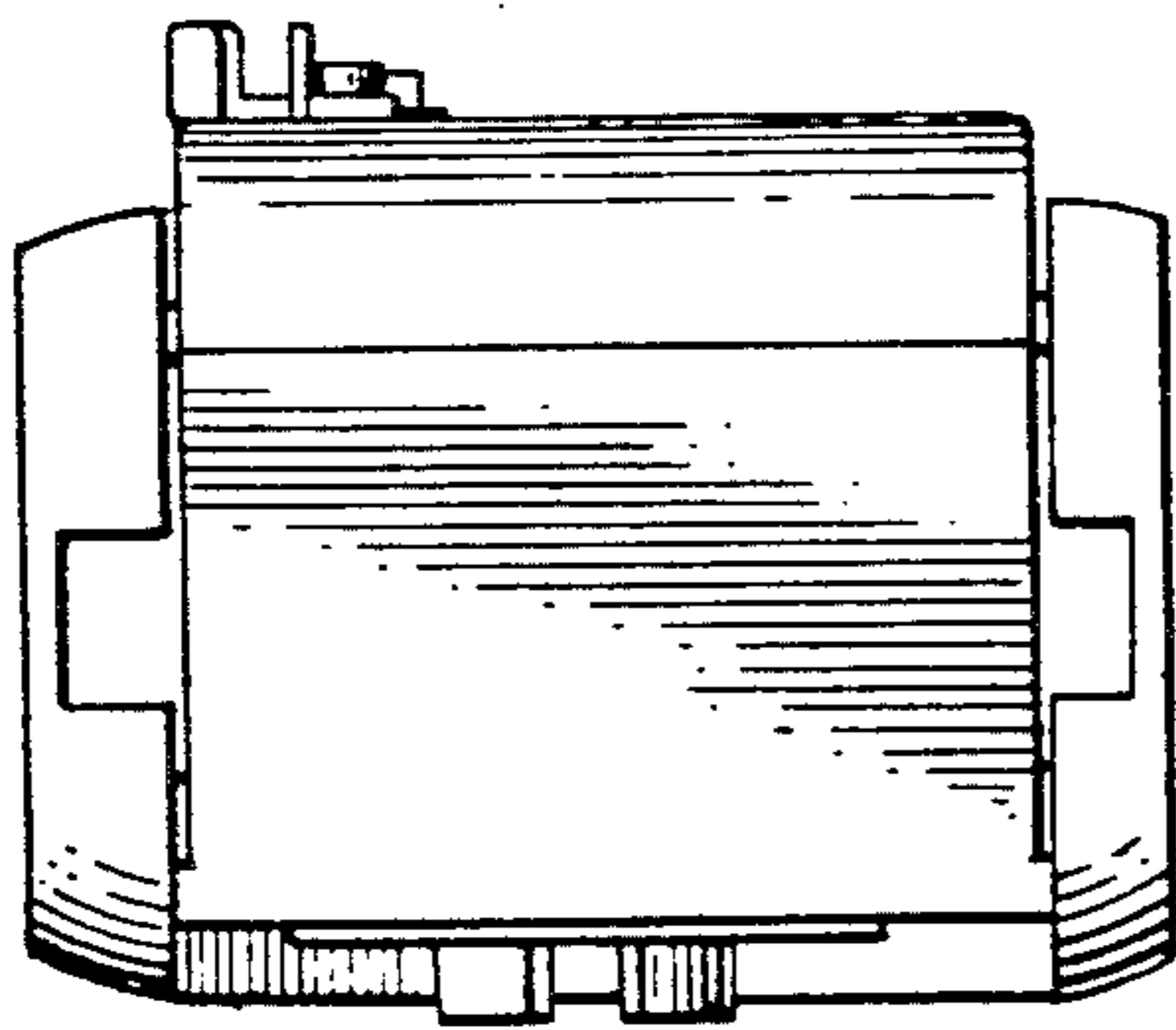


FIG. 4.

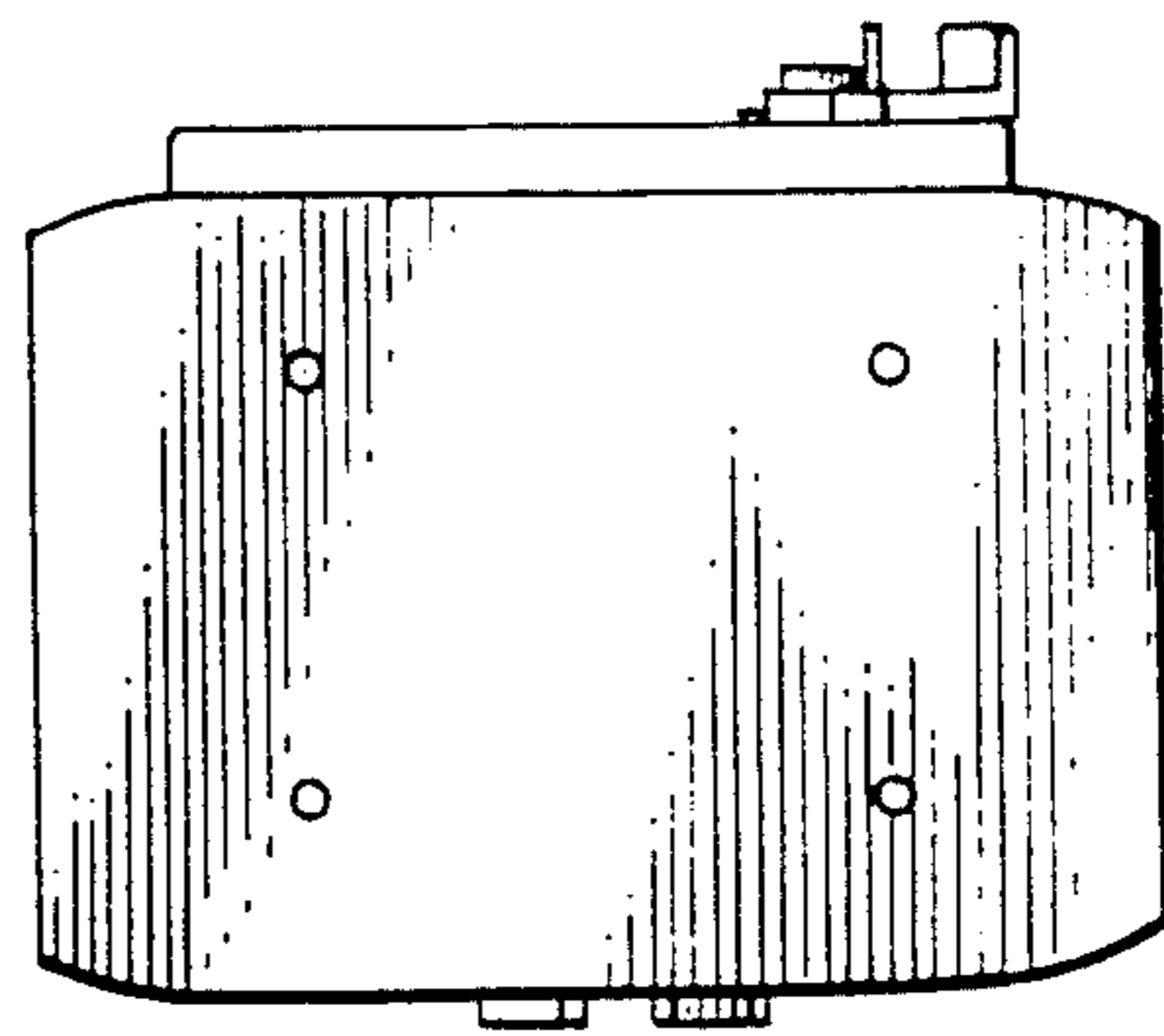


FIG. 5.

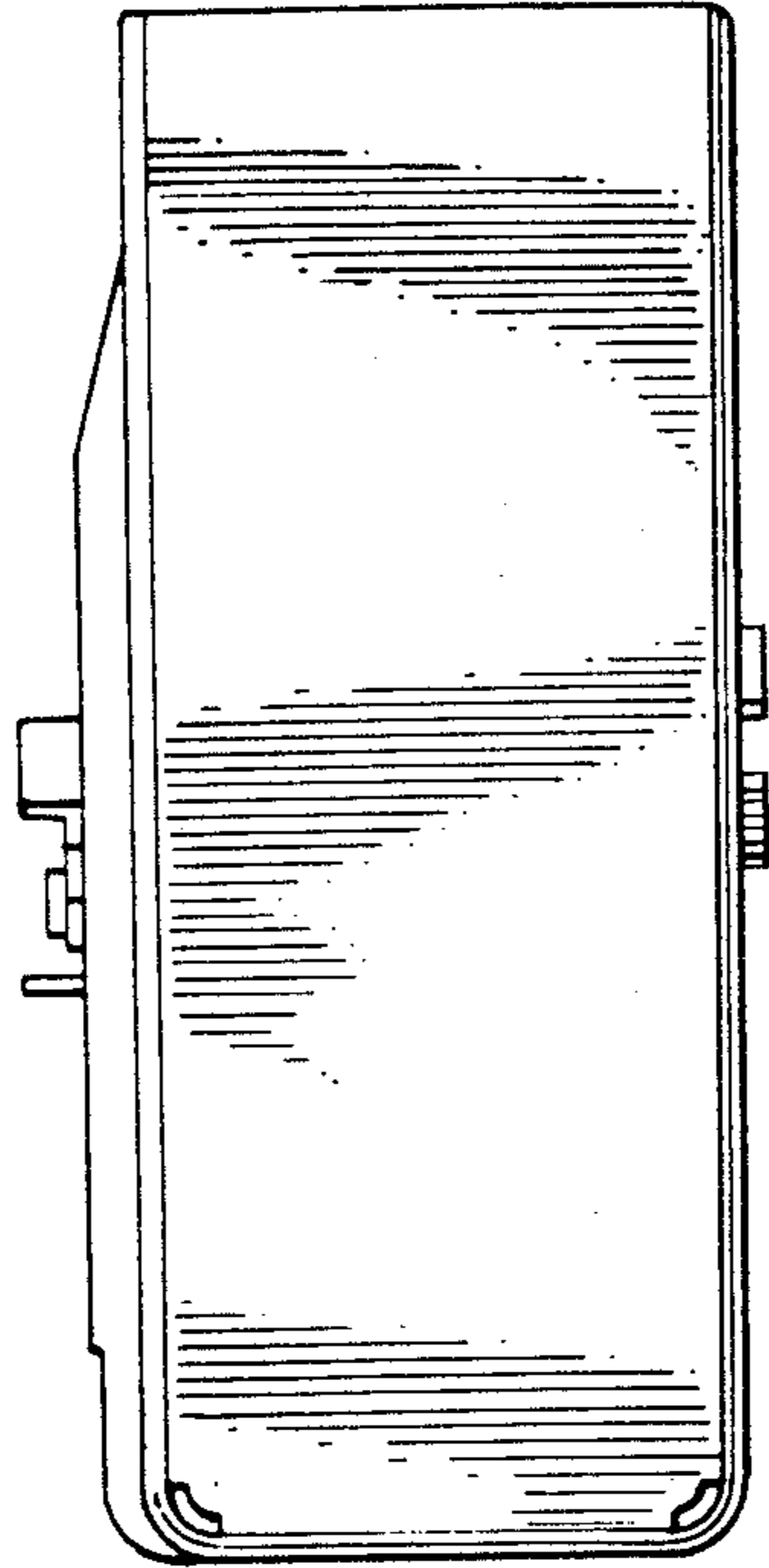


FIG. 6.

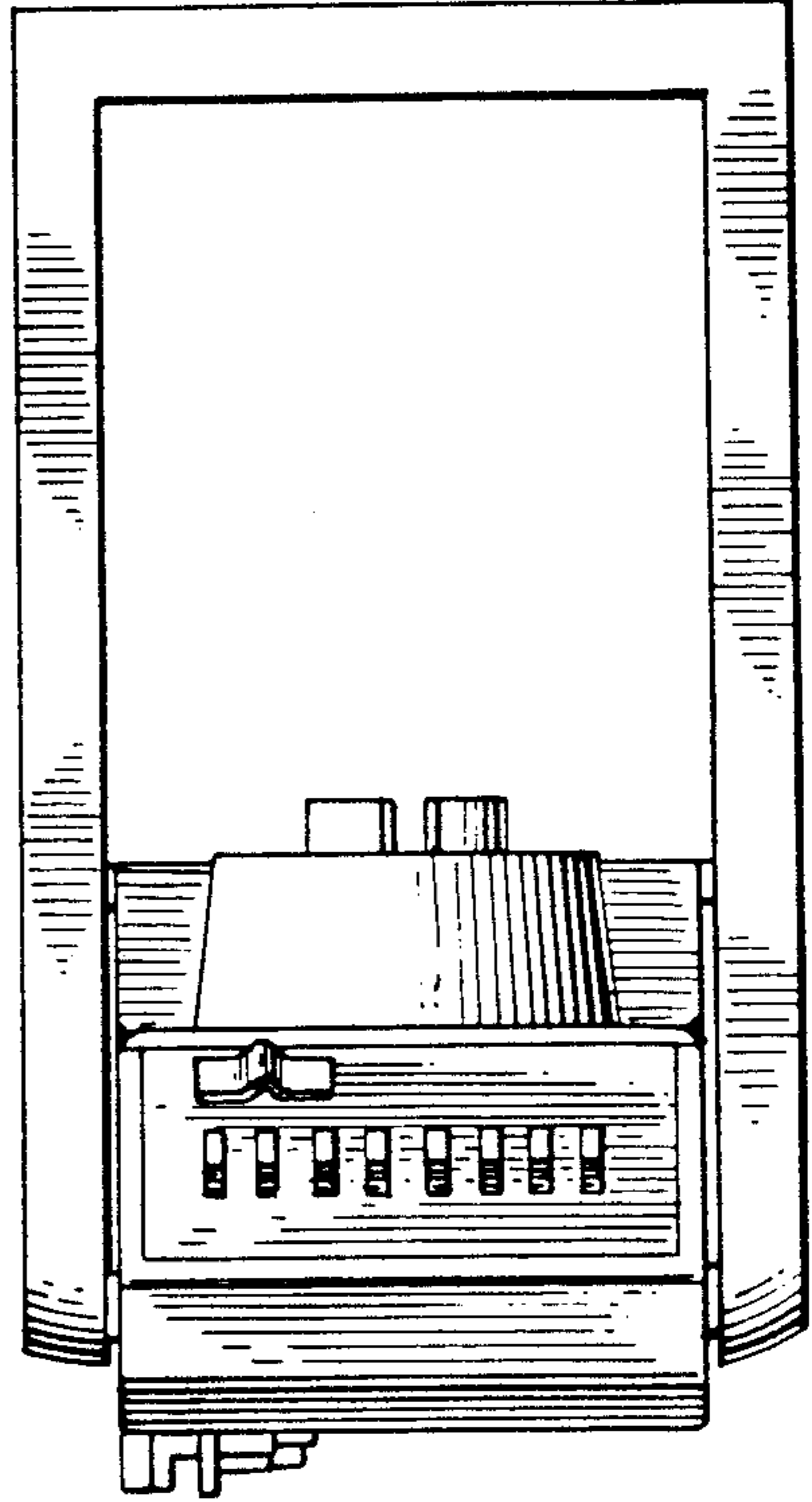


FIG. 7.

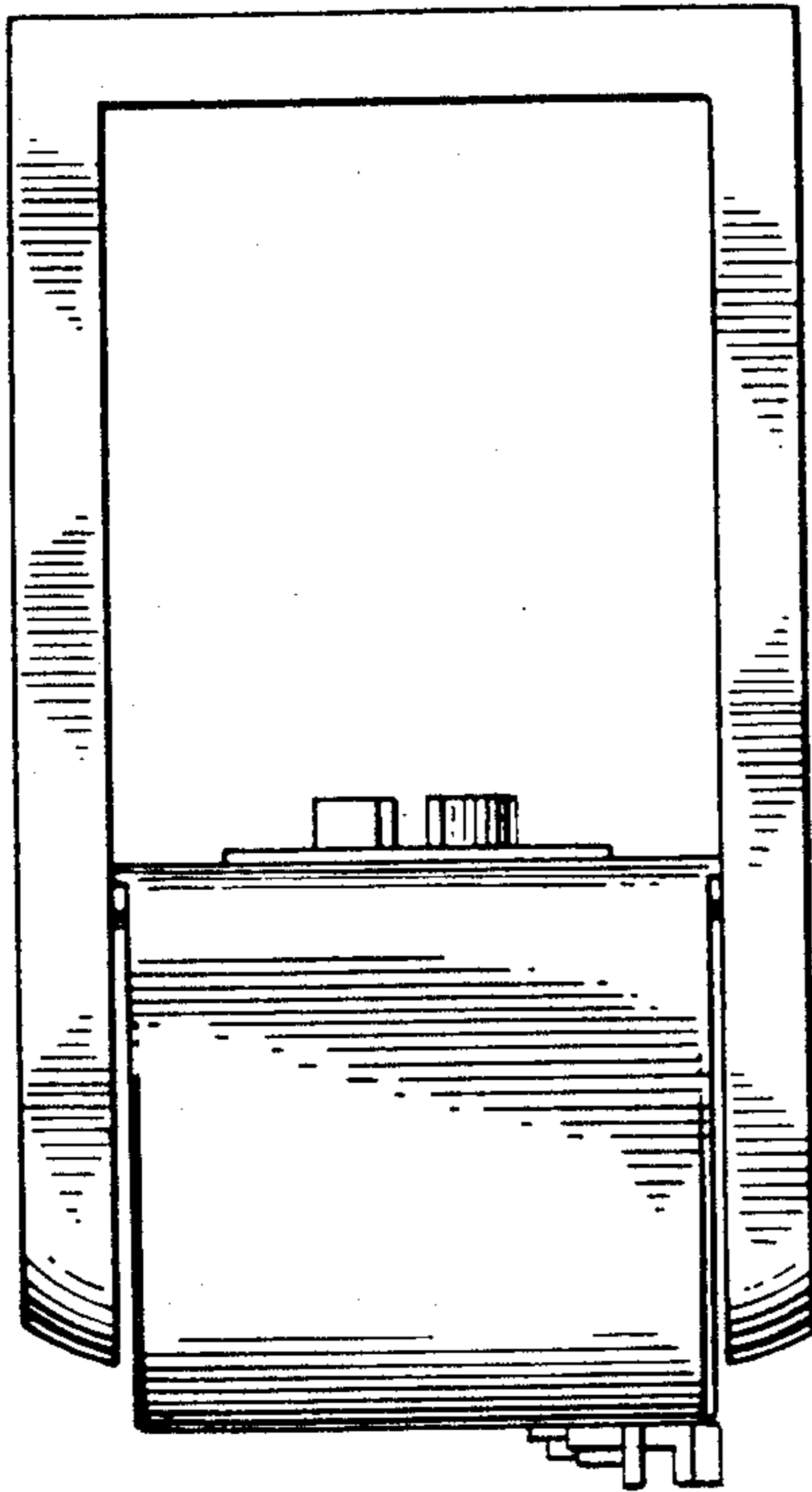


FIG. 8.

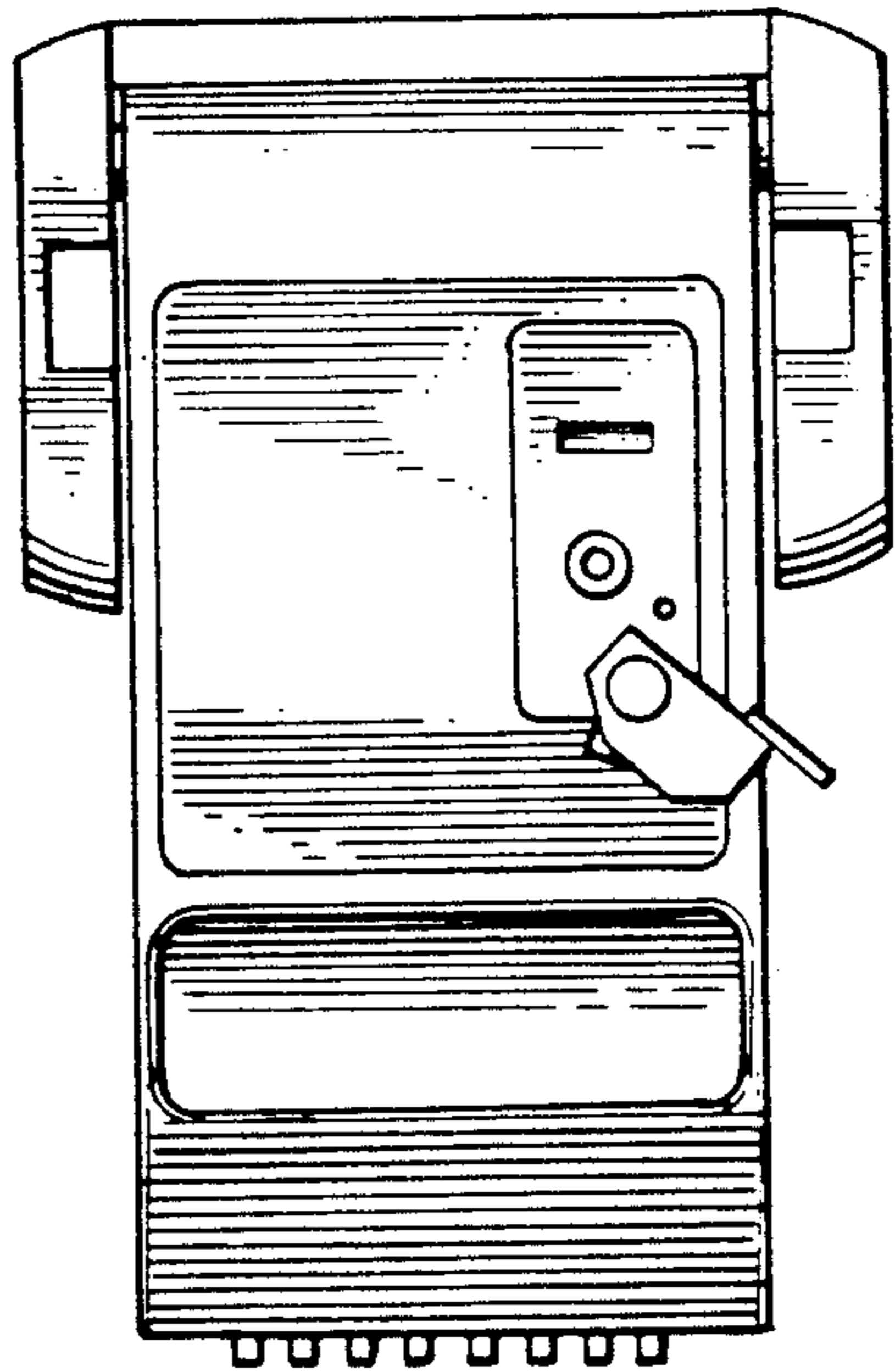


FIG. 9.

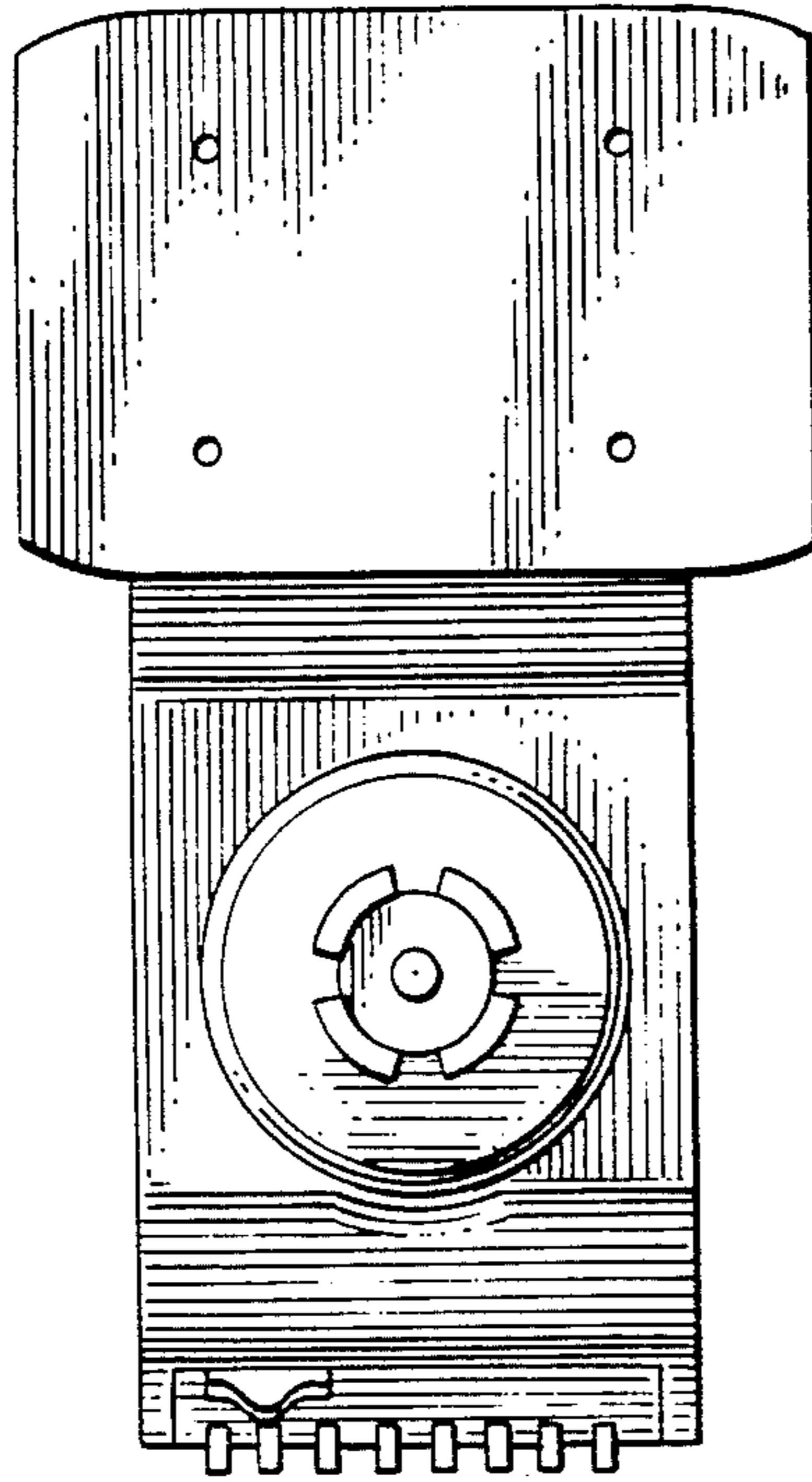


FIG. 10.

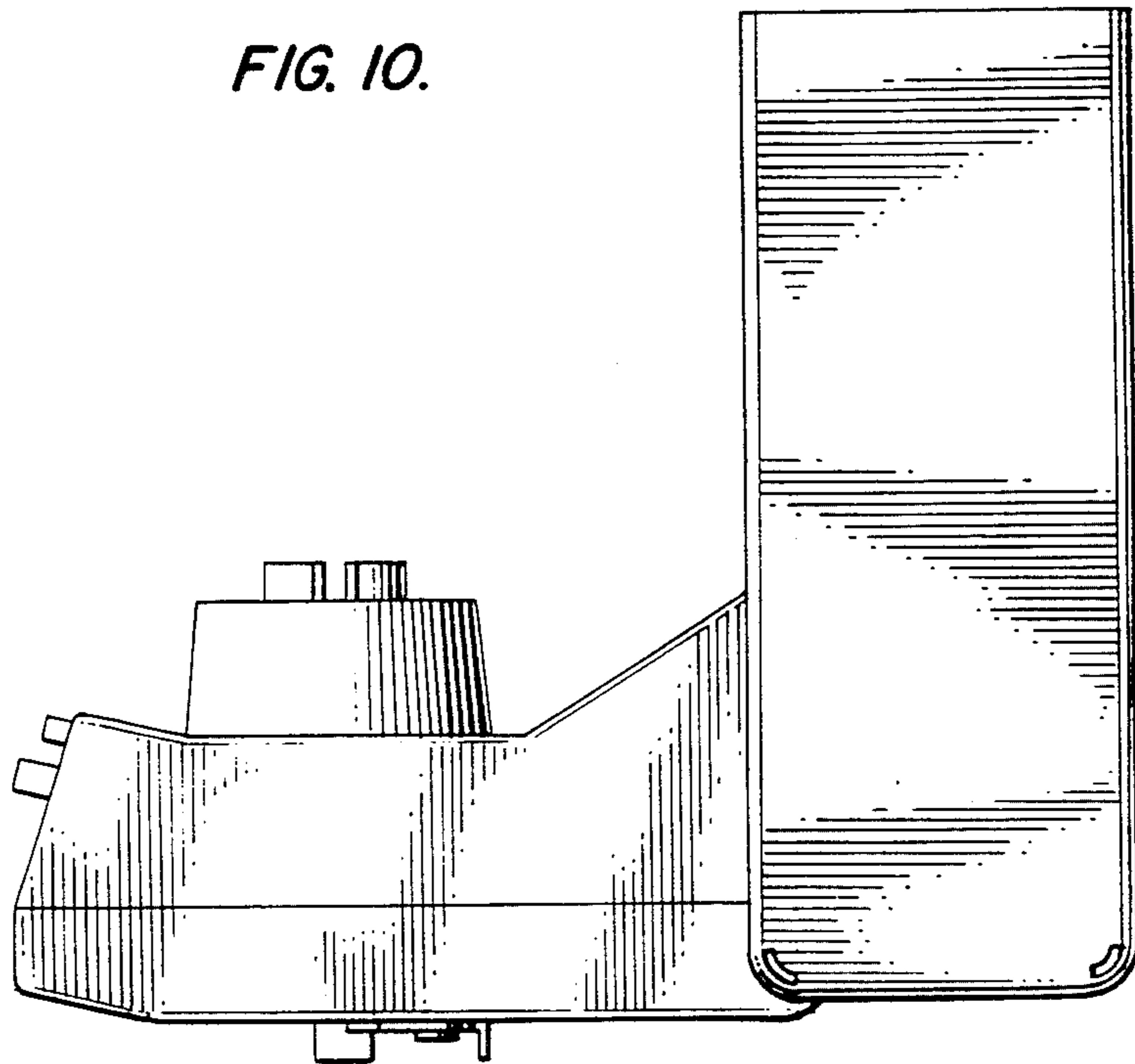


FIG. 11.

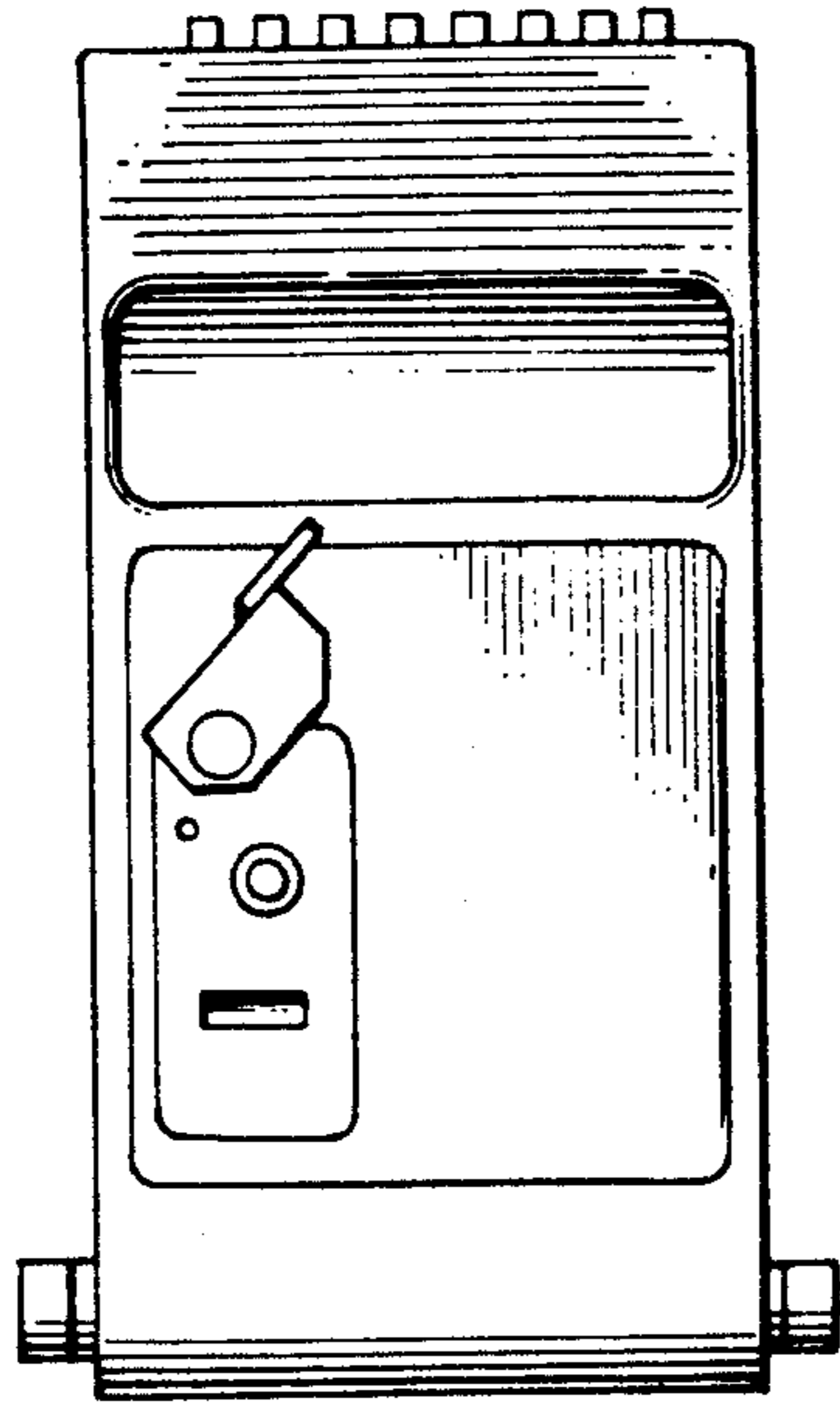


FIG. 12.

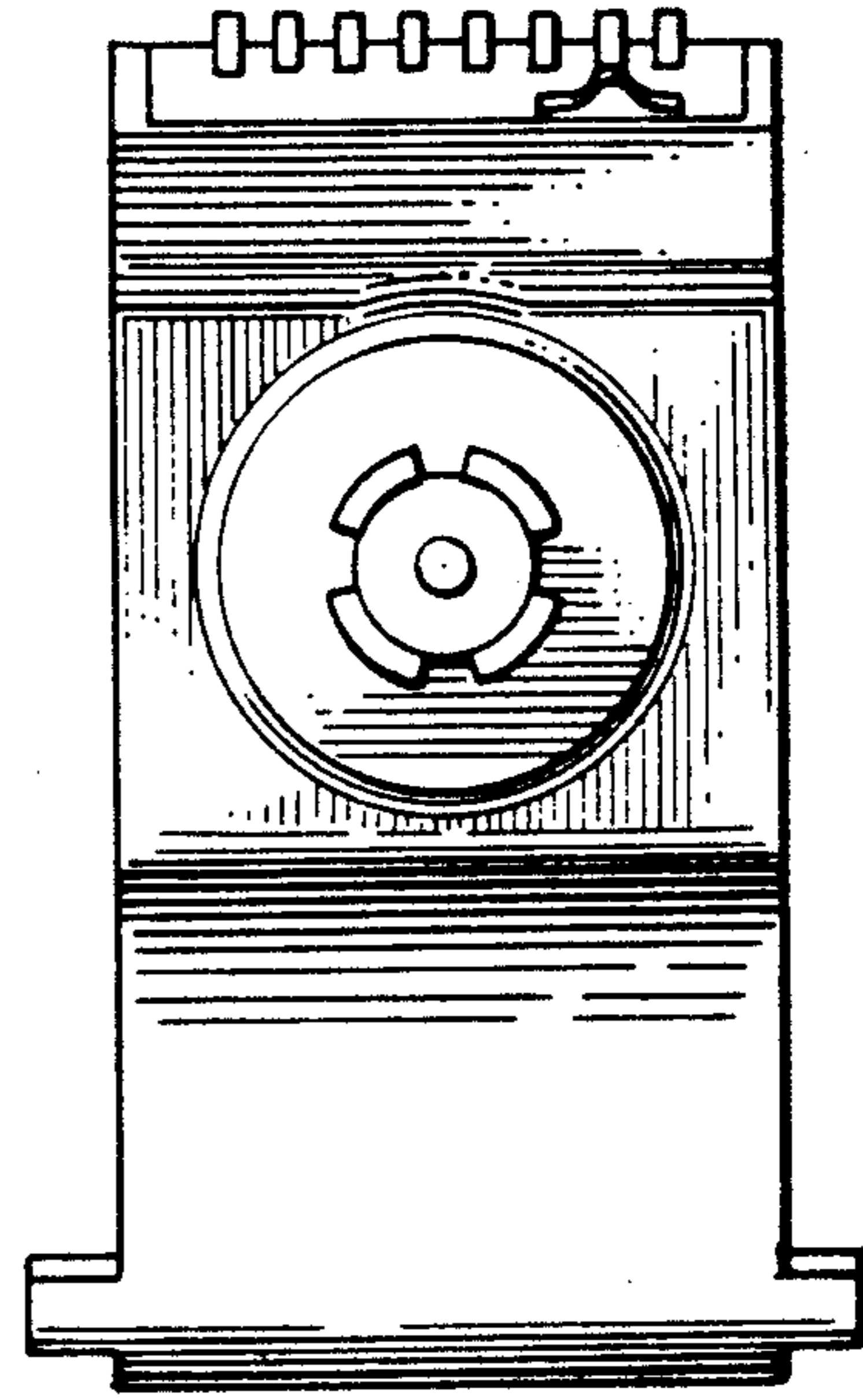


FIG. 13.

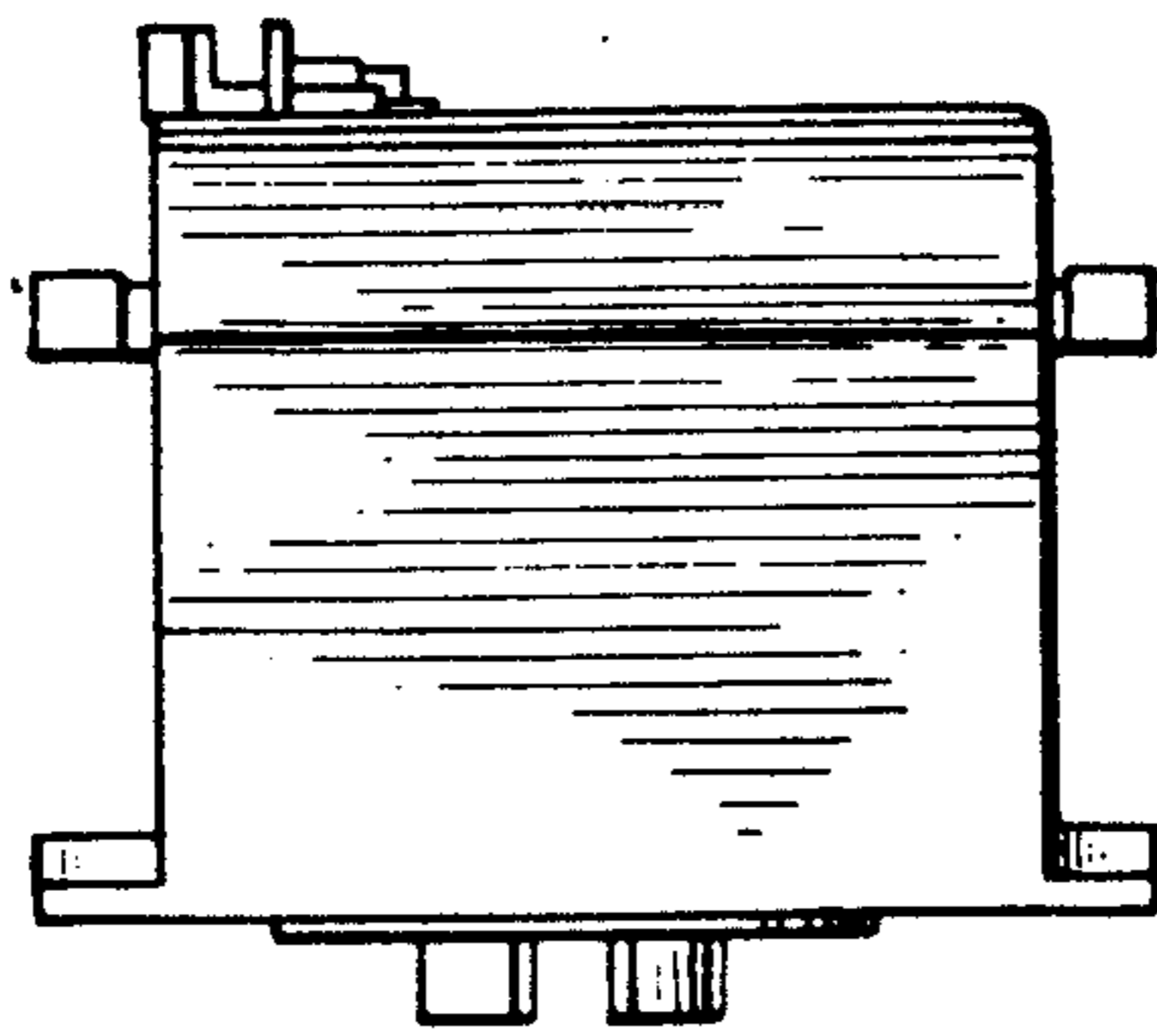


FIG. 14.

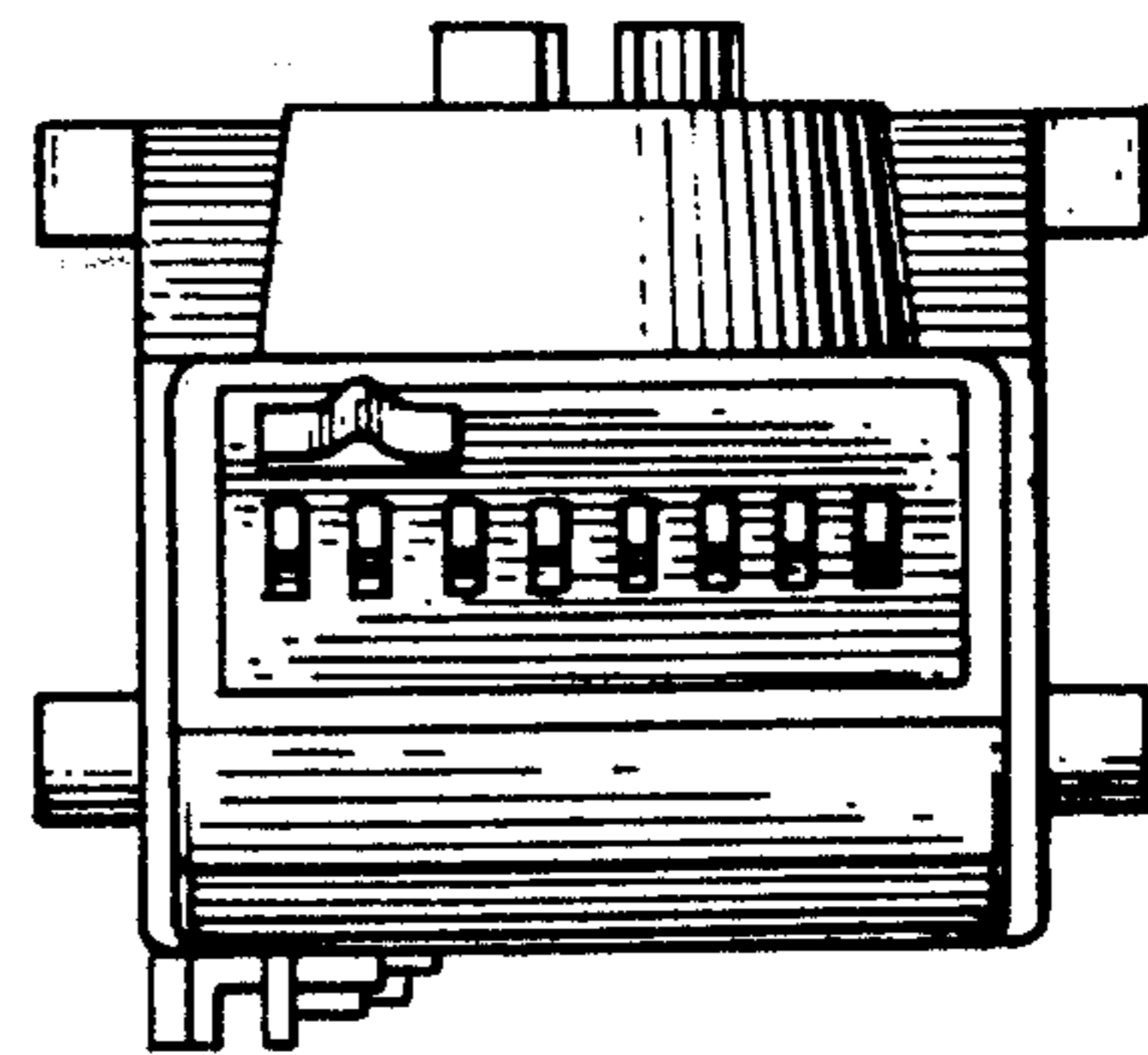


FIG. 15.

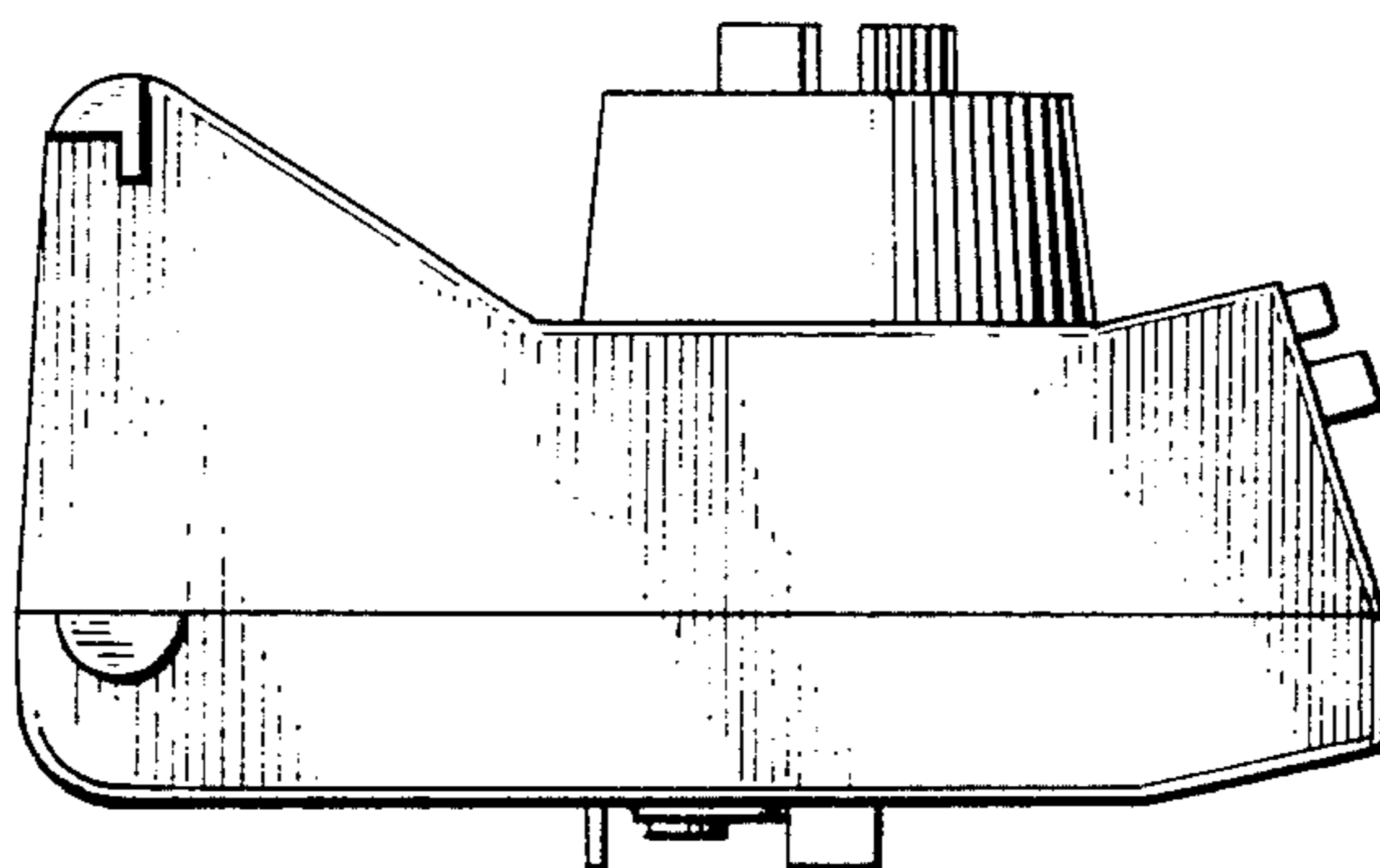


FIG. 16.

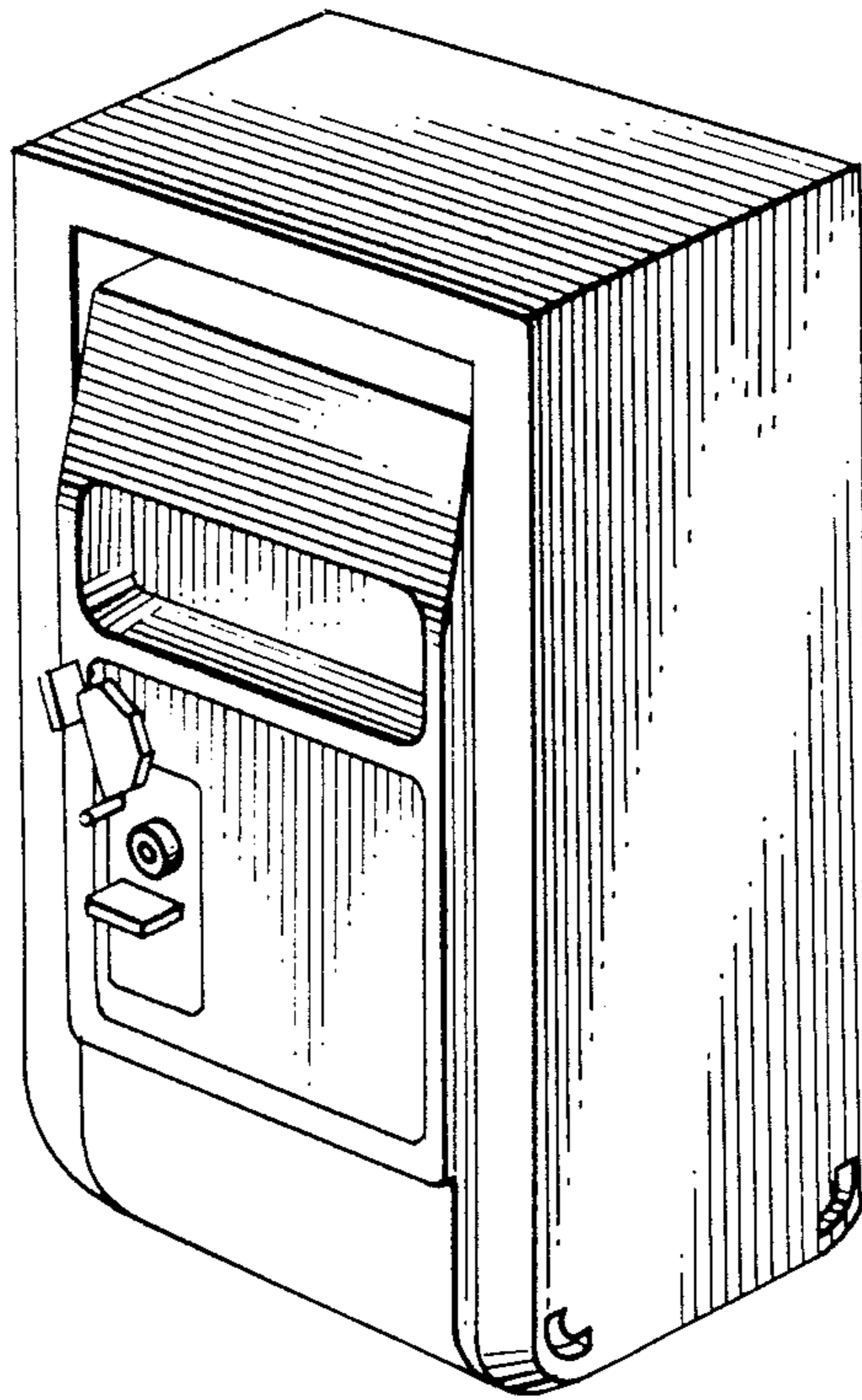


FIG. 17.

