

[54] ADJUSTABLE RAKE

[76] Inventor: Joseph F. Salvato, 8020 W. 47th St., Lyons, Ill. 60534

[**] Term: 14 Years

[21] Appl. No.: 539,670

[22] Filed: Oct. 6, 1983

[52] U.S. Cl. D8/13

[58] Field of Search D8/13; 56/400.17, 400.18, 56/400.21, DIG. 18; 172/378, 380

[56] References Cited

U.S. PATENT DOCUMENTS

2,481,442	9/1949	Paul	56/400.17
2,904,951	9/1959	Glover	56/400.18
3,258,903	7/1966	Rienacker et al.	56/400.18
3,394,536	7/1968	Henne	56/400.18
3,701,243	10/1972	Durkee	56/400.18
3,727,389	4/1973	Huspen	56/400.18
3,750,379	8/1973	Huspen	56/400.18

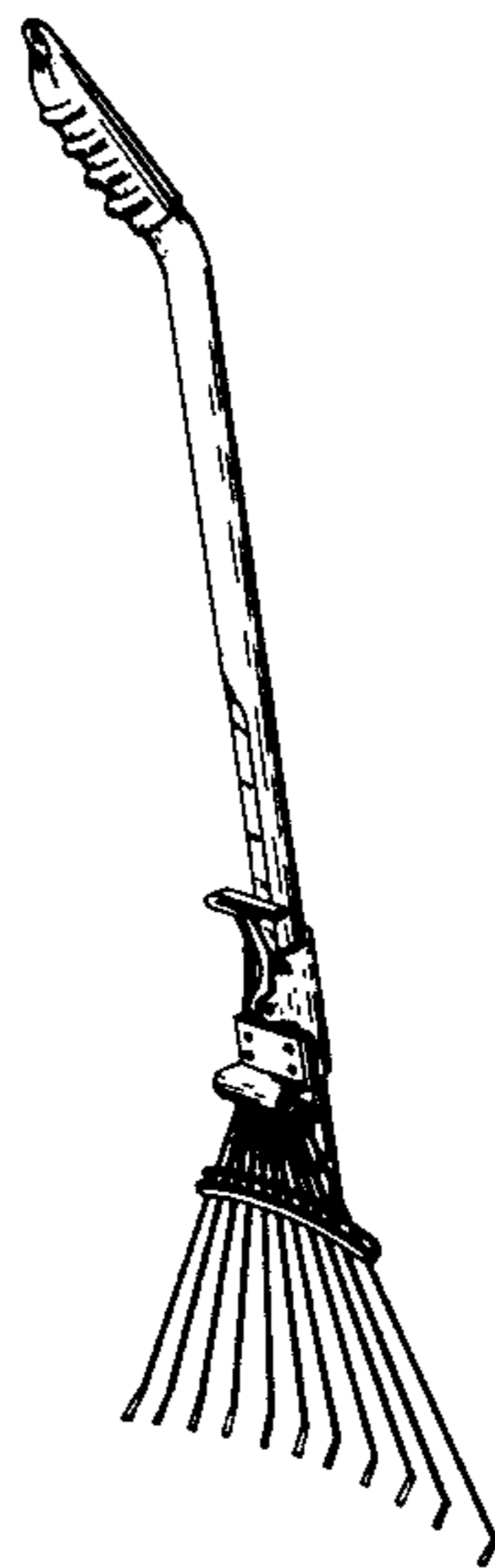
Primary Examiner—B. J. Bullock
Attorney, Agent, or Firm—George A. Gust

[57] CLAIM

The ornamental design for an adjustable rake, substantially as shown and described.

DESCRIPTION

FIG. 1 is a perspective view of an adjustable rake showing my new design;
 FIG. 2 is a front elevational view thereof;
 FIG. 3 is a side elevational view taken from the right of FIG. 1;
 FIG. 4 is a bottom plan view thereof;
 FIG. 5 is a fragmentary side elevational view of a second embodiment of the design of FIG. 1, the only difference residing in the clamping element;
 FIG. 6 is a fragmentary front elevational view of FIG. 5;
 FIG. 7 is a rear elevational view of FIG. 1;
 FIG. 8 is a side elevational view taken from the left of FIG. 1;
 FIG. 9 is a top plan view of FIG. 1.



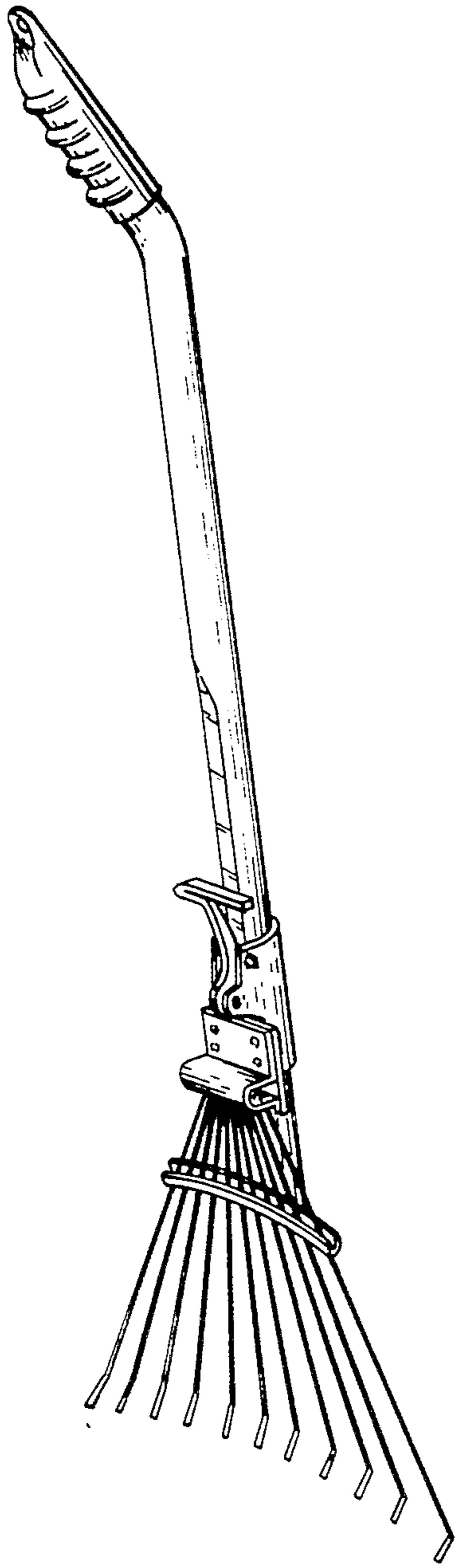


FIG. 1

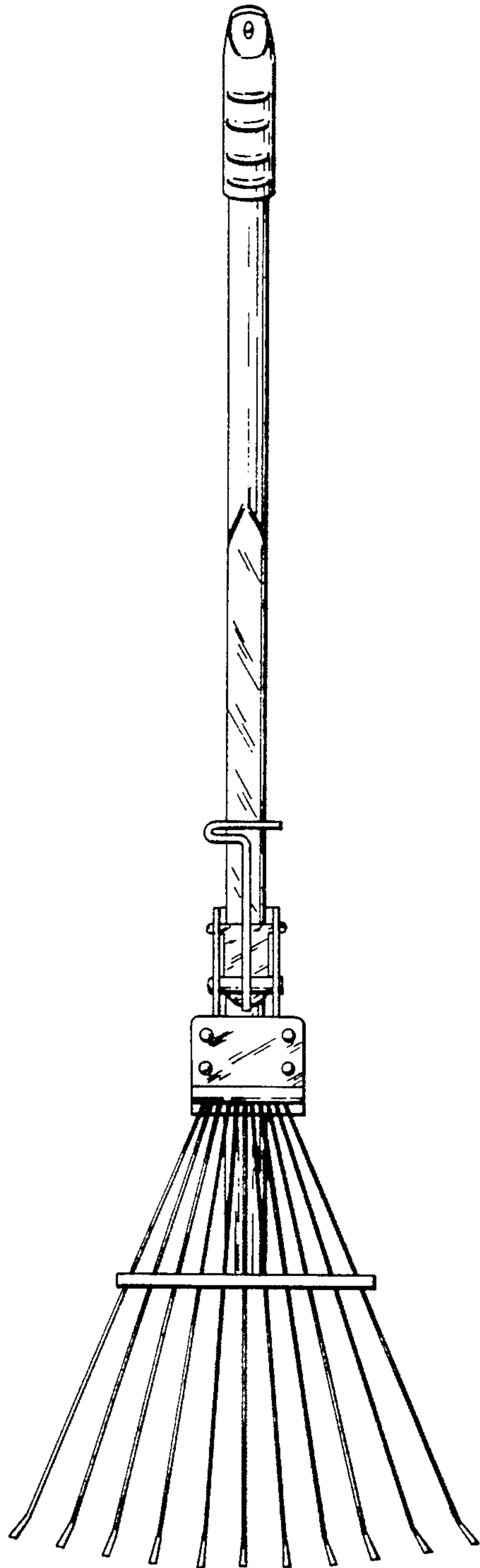


FIG. 2

FIG. 3

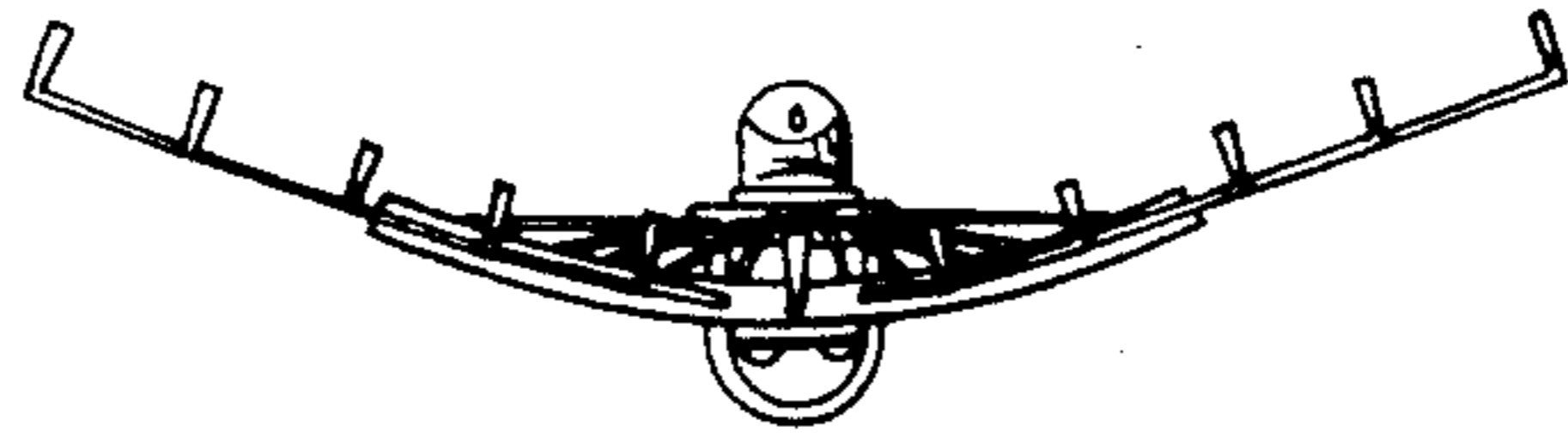
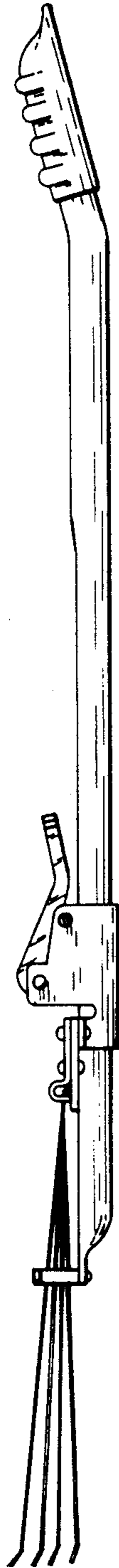


FIG. 4



FIG. 5

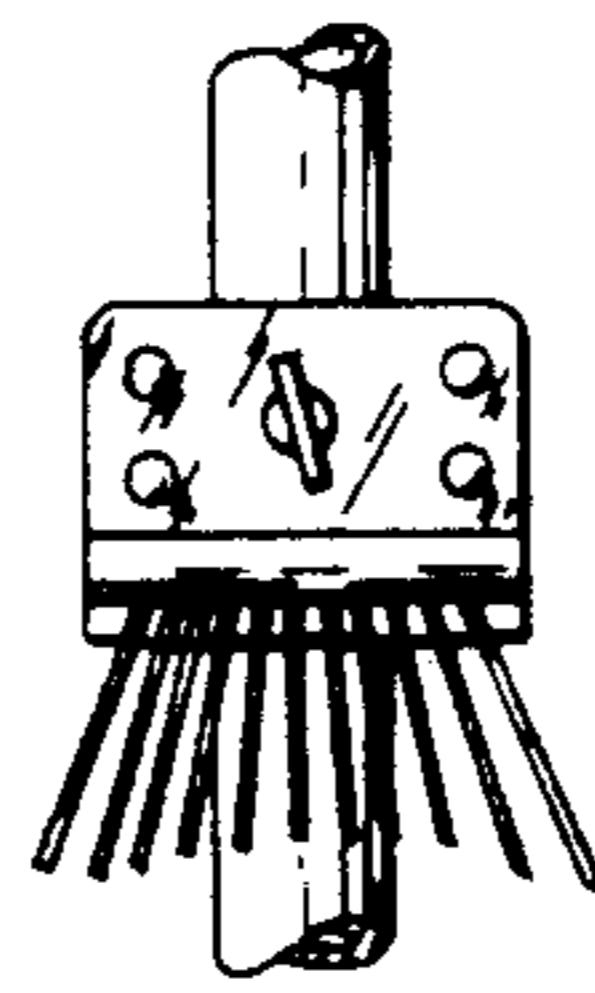


FIG. 6

