

United States Patent [19]

Furlan

[11] Patent Number: **Des. 282,899**

[45] Date of Patent: **** Mar. 11, 1986**

[54] **ROAST LIFTER**

[76] Inventor: **Thomas G. Furlan**, 16730 Gaynelle Rd., Tinley Park, Ill. 60477

[**] Term: **14 Years**

[21] Appl. No.: **467,102**

[22] Filed: **Feb. 16, 1983**

[52] U.S. Cl. **D7/102; D7/103; D7/106**

[58] Field of Search **D7/102, 103, 99, 106; 294/26, 27.1, 32, 55.5**

[56] **References Cited**

U.S. PATENT DOCUMENTS

D. 218,189 7/1970 Demetreon D7/103
D. 227,029 5/1973 Demetreon D7/103

1,227,920 5/1917 Maaske 294/27.1
1,604,050 10/1926 Jennings D7/103 X
3,078,787 2/1963 Arseneault D7/103 X

Primary Examiner—Bernard Ansher
Assistant Examiner—Linda Titolo
Attorney, Agent, or Firm—Philip Hill

[57] **CLAIM**

The ornamental design for a roast lifter, as shown.

DESCRIPTION

FIG. 1 is a front elevational view of a roast lifter, showing my new design;
FIG. 2 is a left side elevational view thereof, the right side being a mirror image thereof;
FIG. 3 is a top plan view thereof;
FIG. 4 is a rear elevational view thereof; and
FIG. 5 is a bottom plan view thereof.

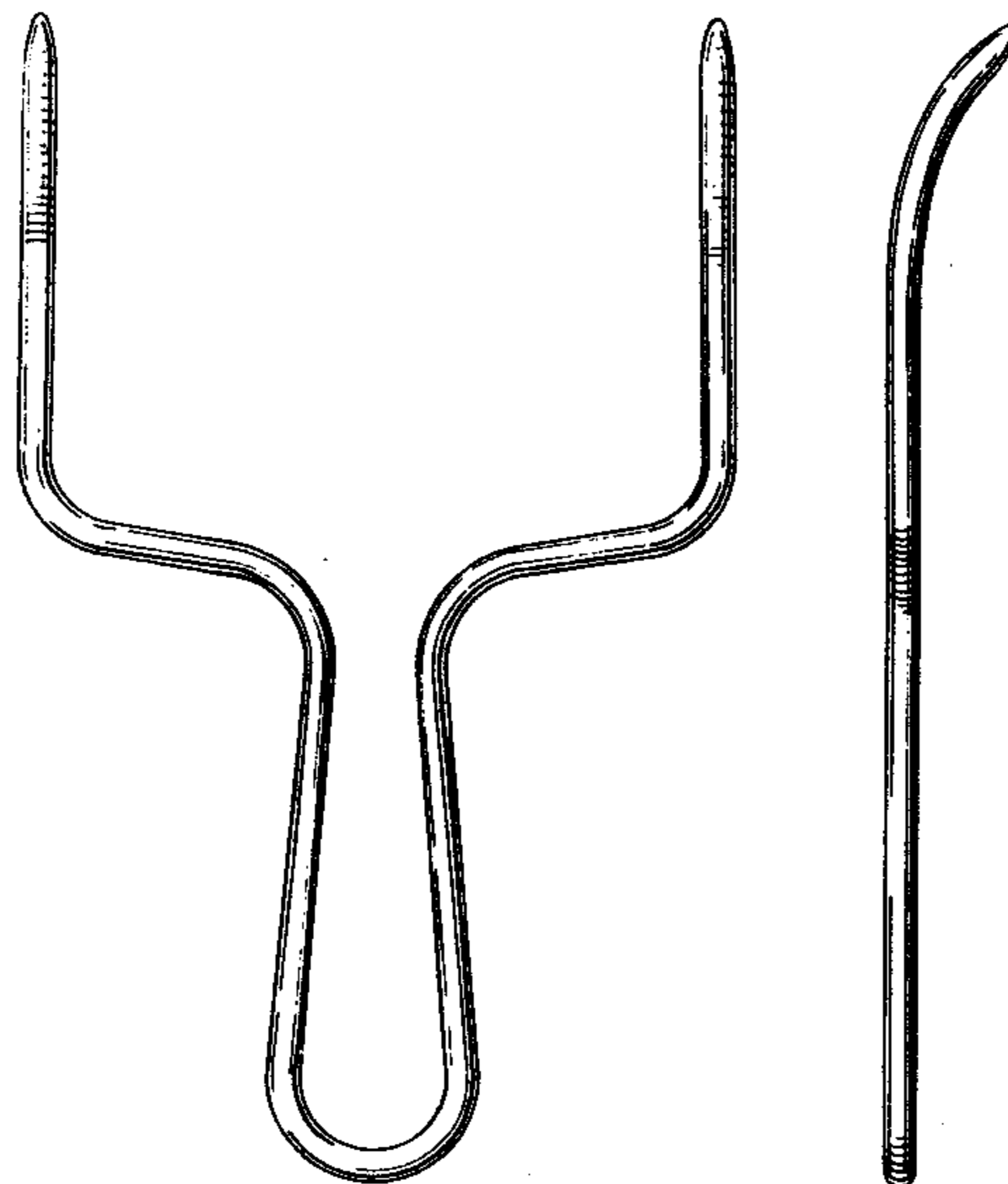


FIG. 1

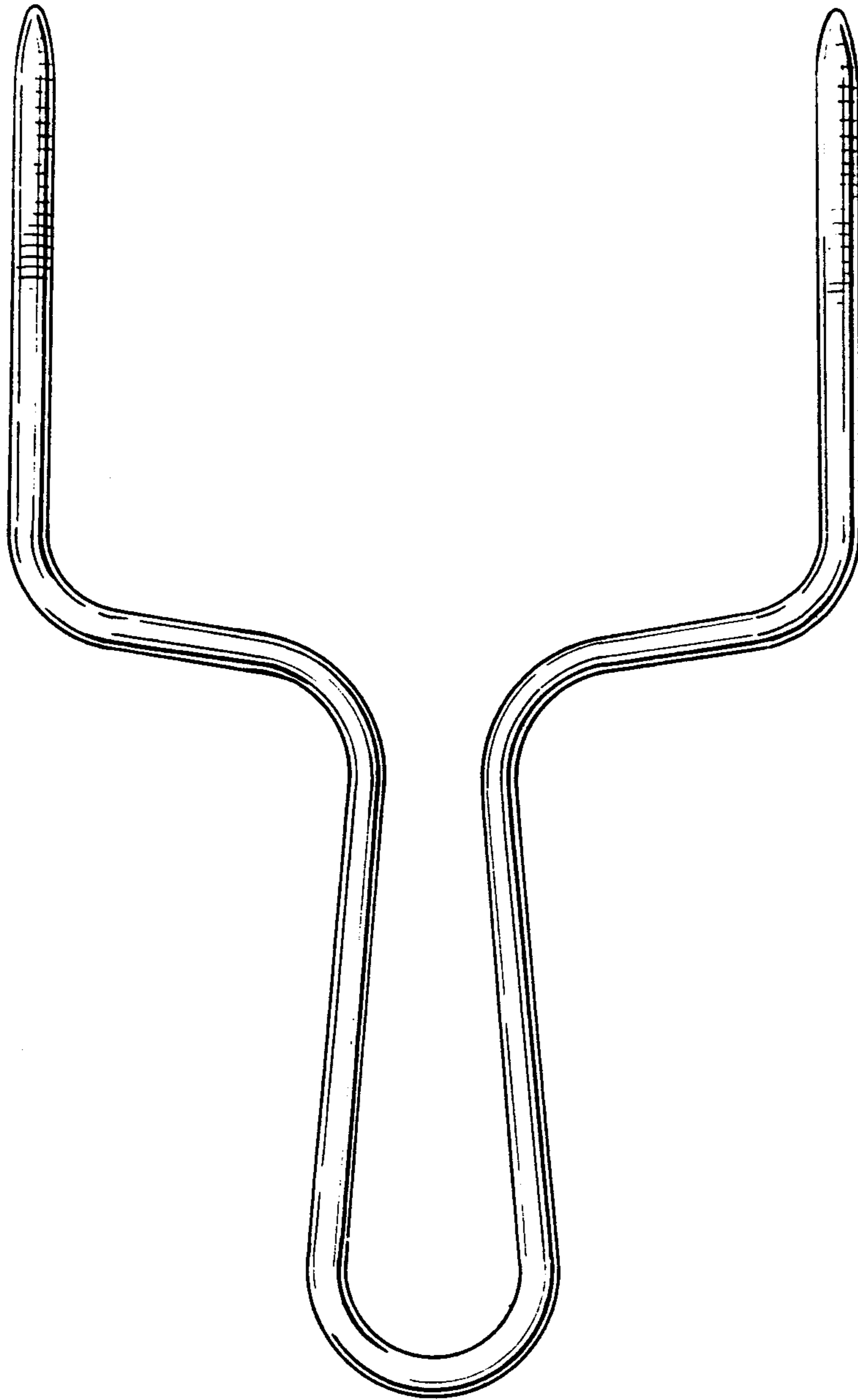


FIG. 2

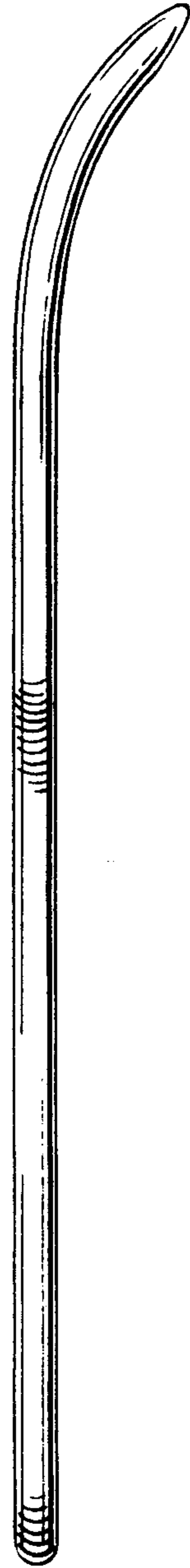


FIG. 3

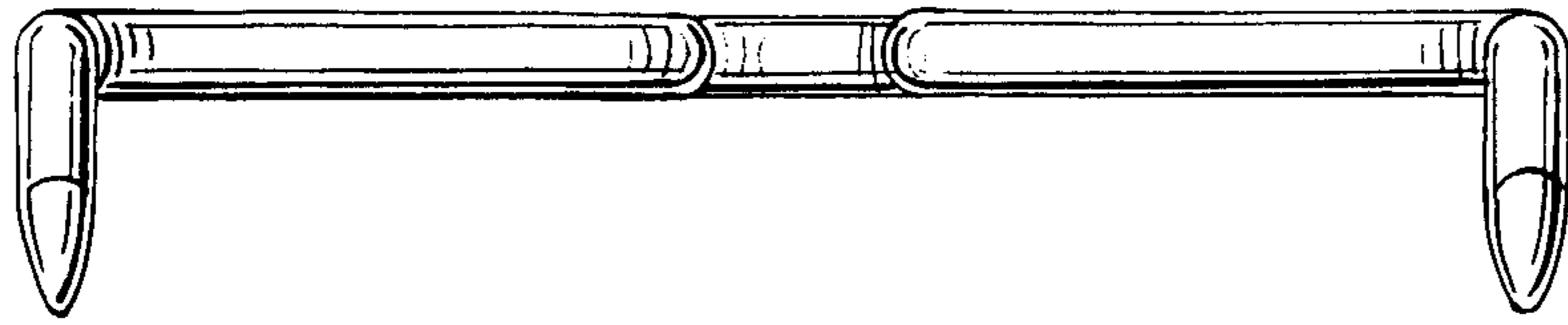


FIG. 4

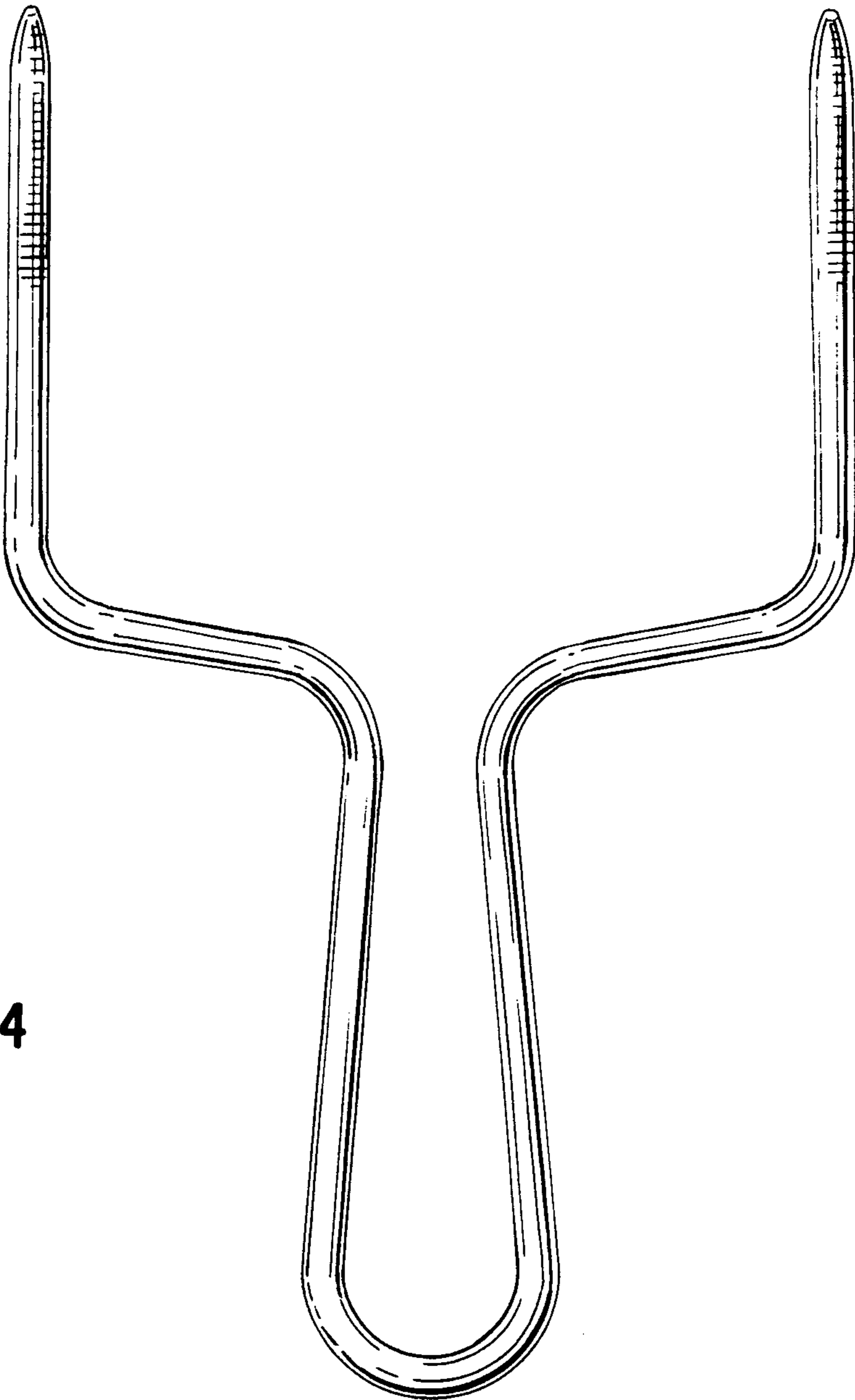


FIG. 5

