

[54] ROAST LIFTER

[76] Inventor: Thomas G. Furlan, 16730 Gaynelle Rd., Tinley Park, Ill. 60477

[\*\*] Term: 14 Years

[21] Appl. No.: 467,101

[22] Filed: Feb. 16, 1983

[52] U.S. Cl. .... D7/102; D7/103; D7/106

[58] Field of Search ..... D7/102, 103, 99, 106; D8/DIG. 4; 294/26, 27 R, 32, 55.5

[56] References Cited

U.S. PATENT DOCUMENTS

- D. 218,189 7/1970 Demetreon ..... D7/103
- D. 277,029 5/1973 Demetreon ..... D7/103

- 1,227,920 5/1917 Maaske ..... 294/27.1
- 1,604,050 10/1926 Jennings ..... D7/103 X
- 3,078,787 2/1963 Arseneault ..... D7/103 X

Primary Examiner—Bernard Ansher  
Assistant Examiner—Linda Titolo  
Attorney, Agent, or Firm—Philip Hill

[57] CLAIM

The ornamental design for a roast lifter, as shown.

DESCRIPTION

FIG. 1 is a front elevational view of a roast lifter, showing my new design;  
FIG. 2 is a left side elevational view thereof, the right side being a mirror image thereof;  
FIG. 3 is a top plan view thereof;  
FIG. 4 is a rear elevational view thereof; and  
FIG. 5 is a bottom plan view thereof.

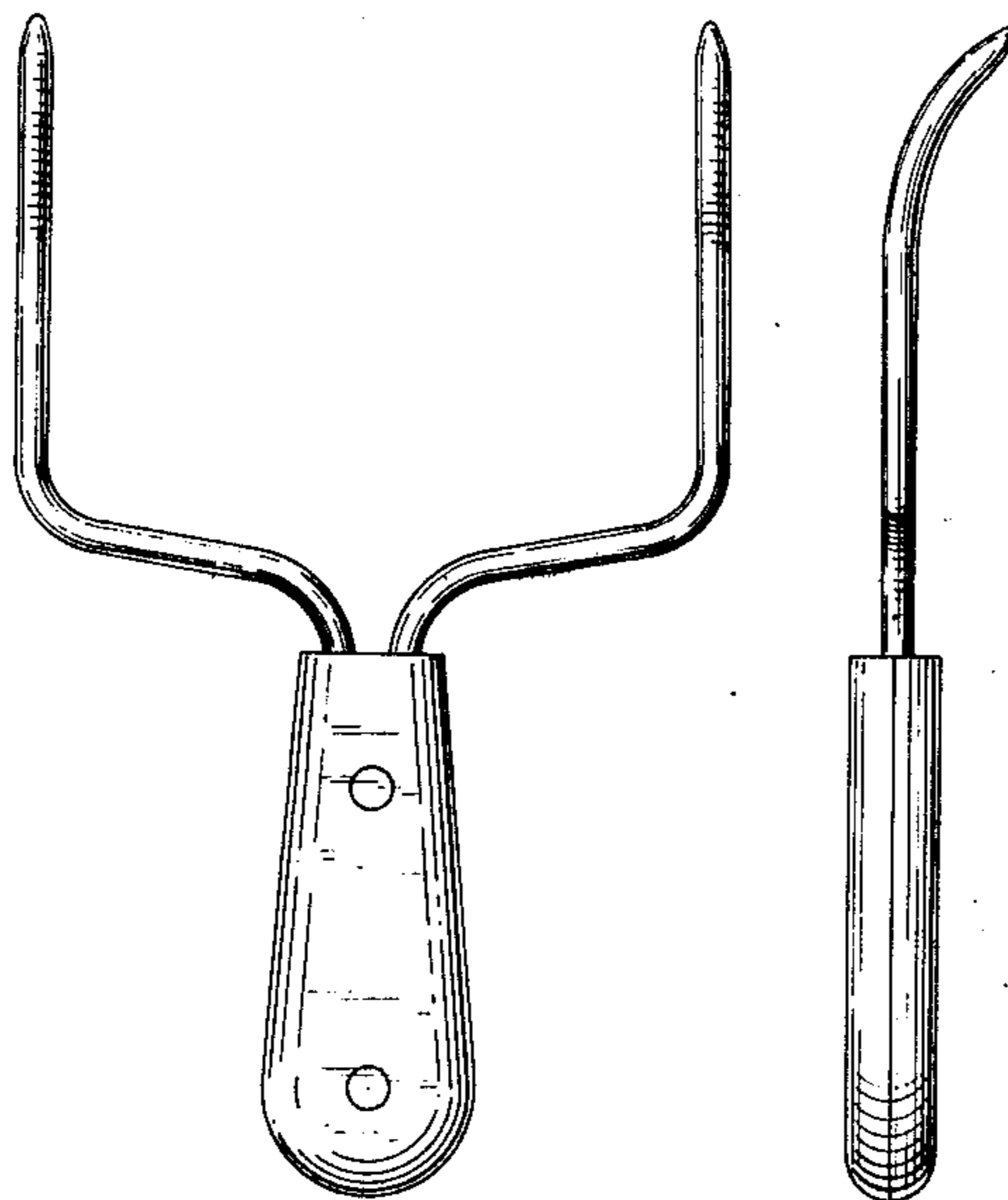


FIG. 1

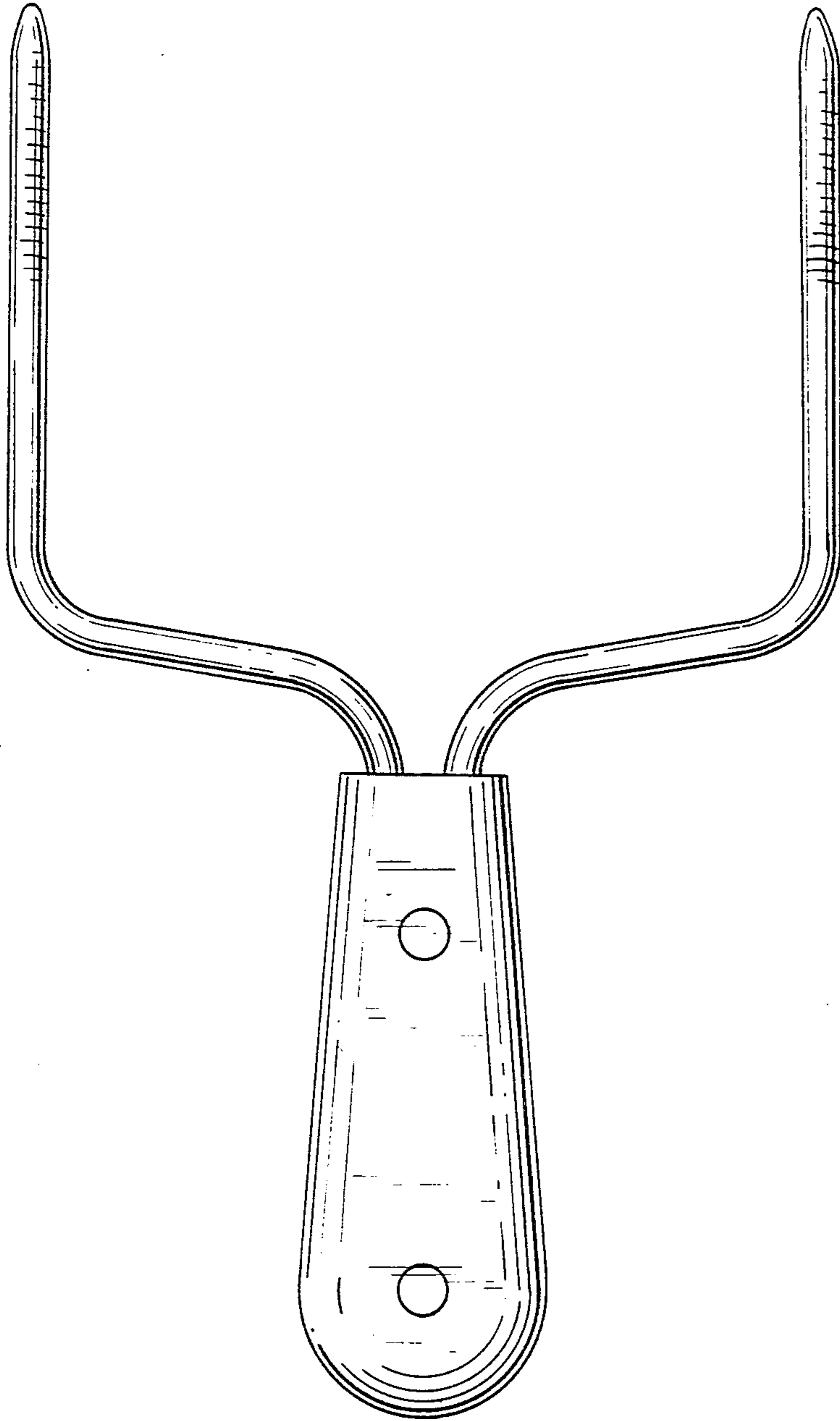


FIG. 2

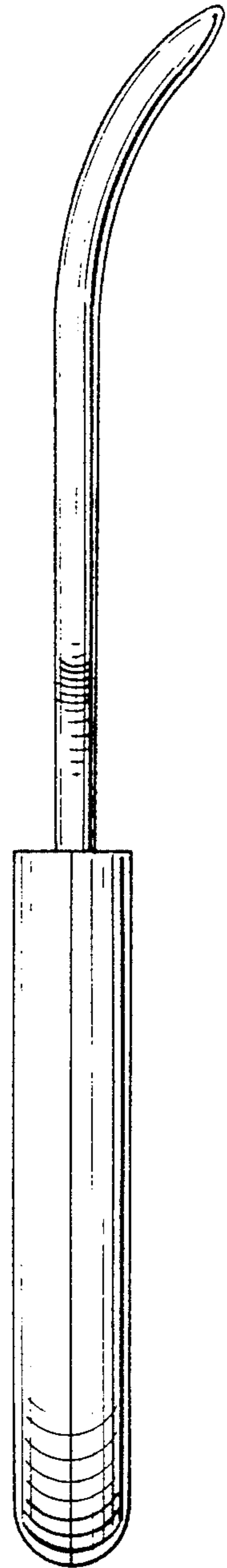


FIG. 3

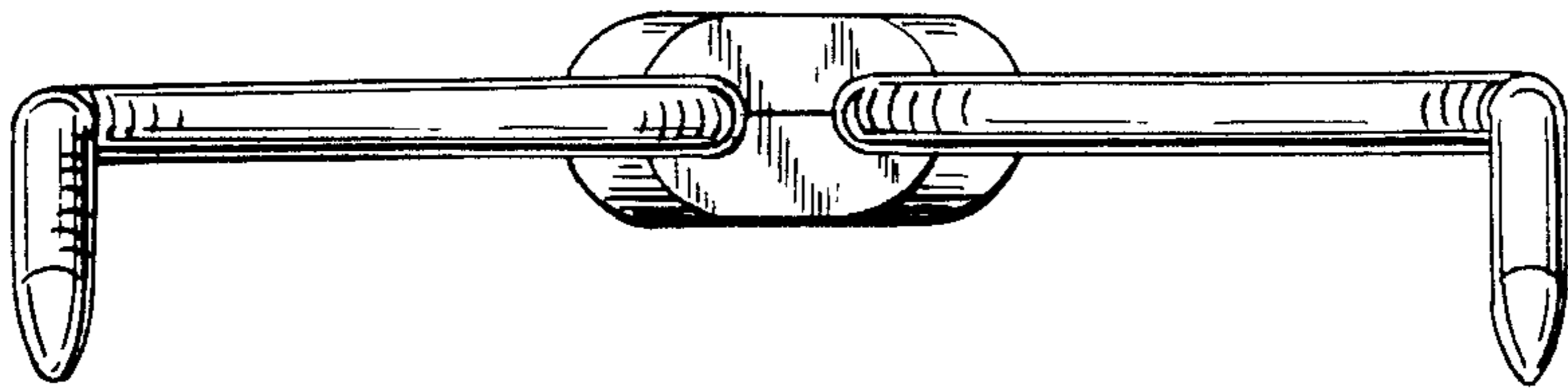


FIG. 4

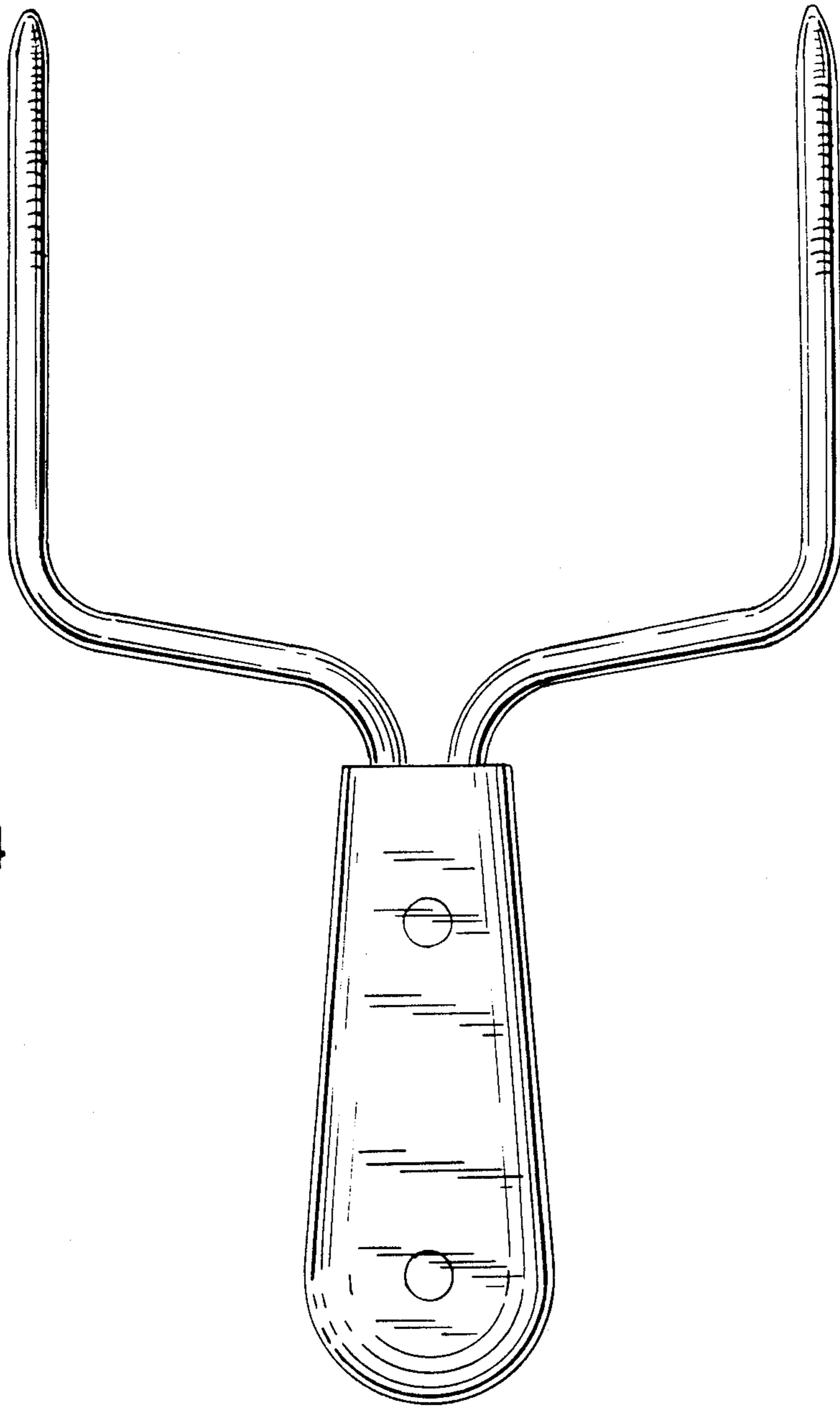


FIG. 5

