

[54] INSULATED BEVERAGE CONTAINER

[76] Inventor: Sami Sagol, 43 Hasayfan St., Ramat Hasharon, Israel

[**] Term: 14 Years

[21] Appl. No.: 416,430

[22] Filed: Sep. 9, 1982

[30] Foreign Application Priority Data

Mar. 11, 1982 [IL] Israel 8945
 [52] U.S. Cl. D7/77
 [58] Field of Search D7/77, 76, 70, 78, 79,
 D7/312, 321, 322; 215/13 R; 220/69, 400;
 222/130, 131, 185

[56] References Cited

U.S. PATENT DOCUMENTS

D. 189,320 11/1960 Fellnagel D7/313
 2,199,481 5/1940 Chappell 220/69 X
 2,804,989 9/1957 Mango 220/69
 3,152,729 10/1964 Piker 222/131
 3,265,250 8/1966 Meyer 222/131
 3,298,554 1/1967 Piker 215/13 R

OTHER PUBLICATIONS

Home Furnishings Daily, p. 18, Jan. 1958, Therm-A-Jug.

Hong Kong Enterprise, vol. 12, 1980, p. 78 J50L, J50AL, J75L, J75AL.

Primary Examiner—Bernard Ansher

Assistant Examiner—Linda Titolo

Attorney, Agent, or Firm—Beveridge, DeGrandi & Weilacher

[57] CLAIM

The ornamental design for insulated beverage container, as shown.

DESCRIPTION

FIG. 1 is a front elevational view of an insulated beverage container, showing my new design;

FIG. 2 is a rear elevational view thereof;

FIG. 3 is a top plan view thereof;

FIG. 4 is a bottom plan view thereof;

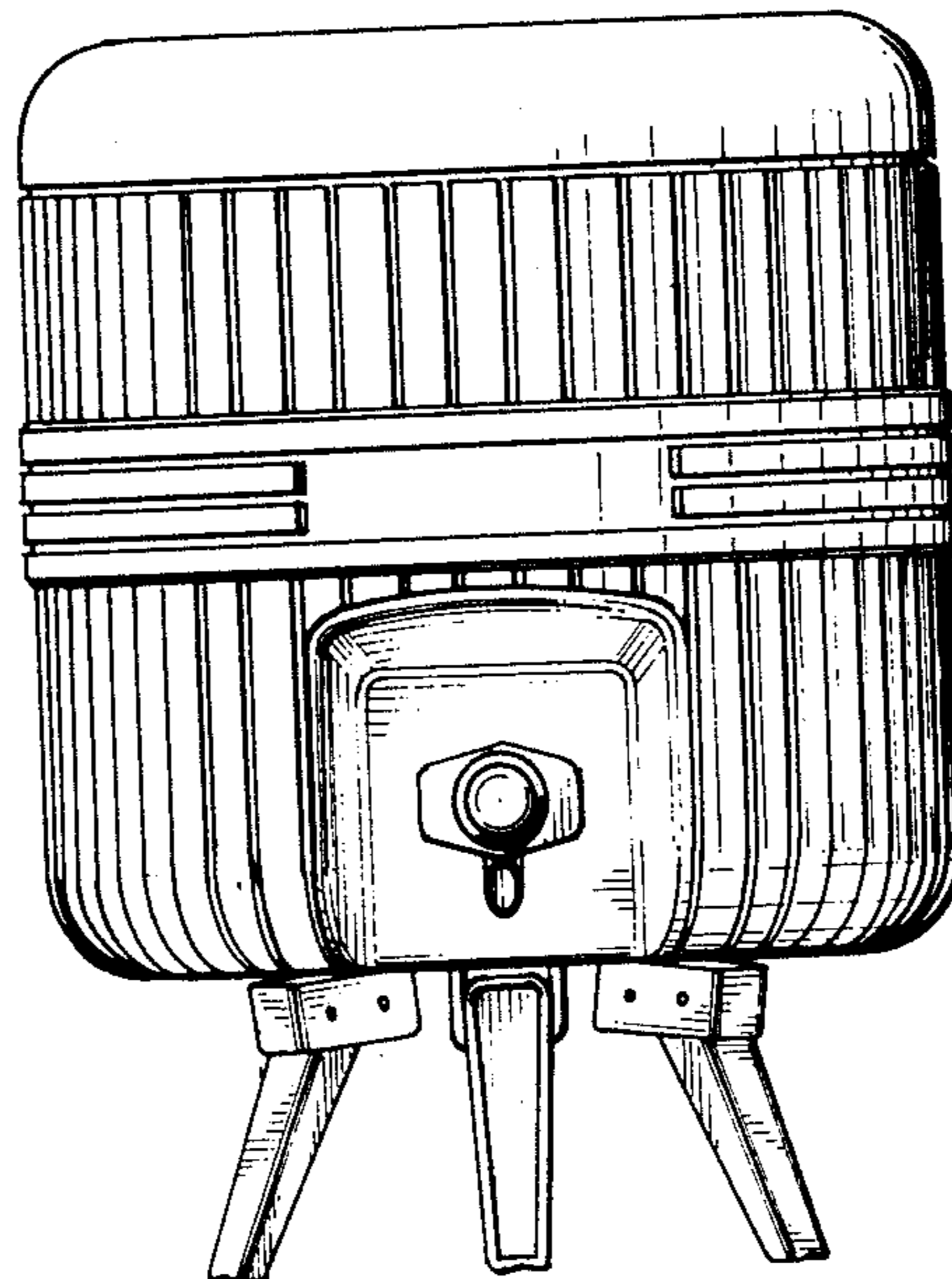
FIG. 5 is a cross sectional view thereof taken on line 5—5 of FIG. 1;

FIG. 6 is a front elevational view thereof showing the legs in extended position;

FIG. 7 is a rear elevational view thereof;

FIG. 8 is a top plan view thereof showing the handle in folded position; and

FIG. 9 is a bottom plan view thereof.



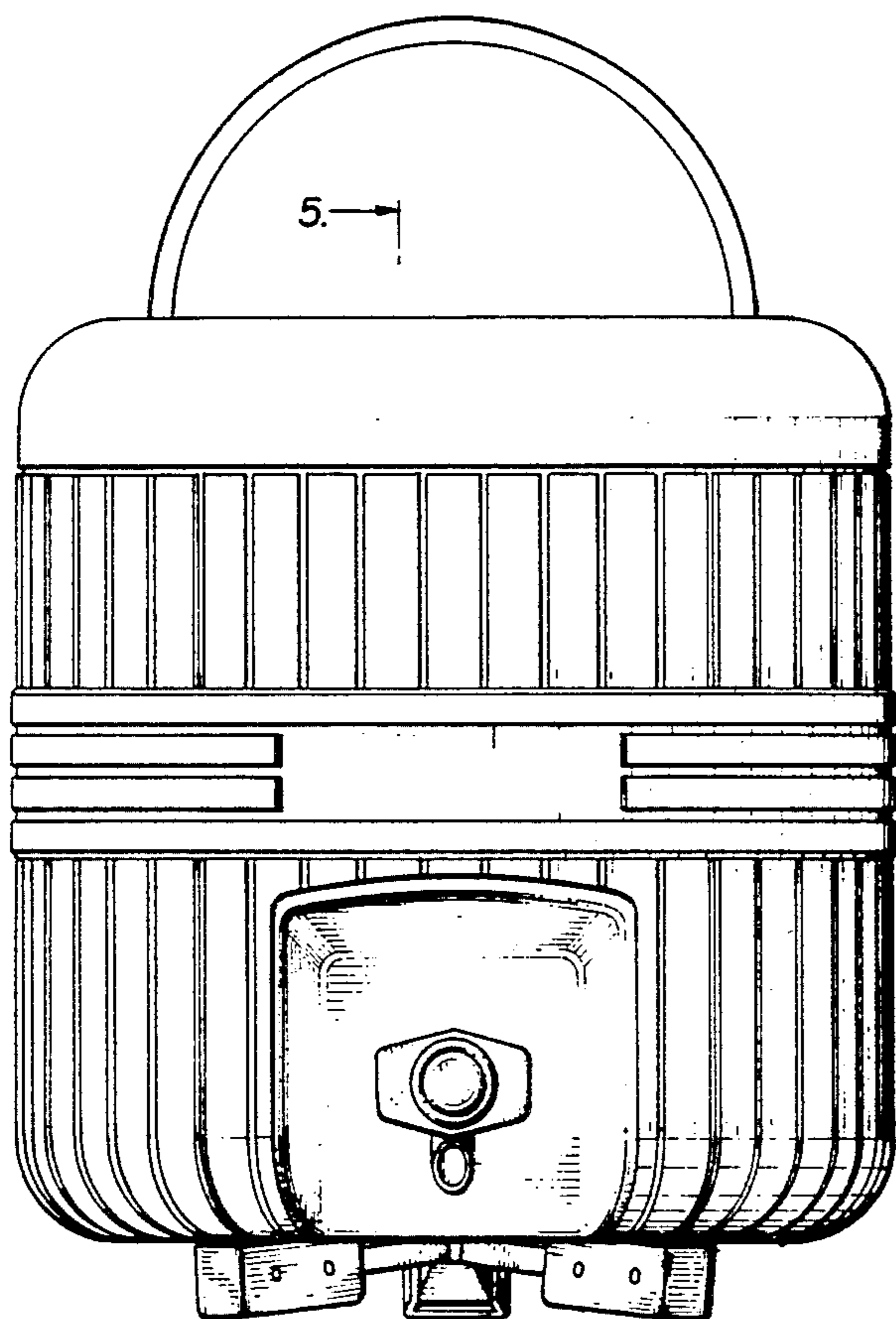


FIG. 1

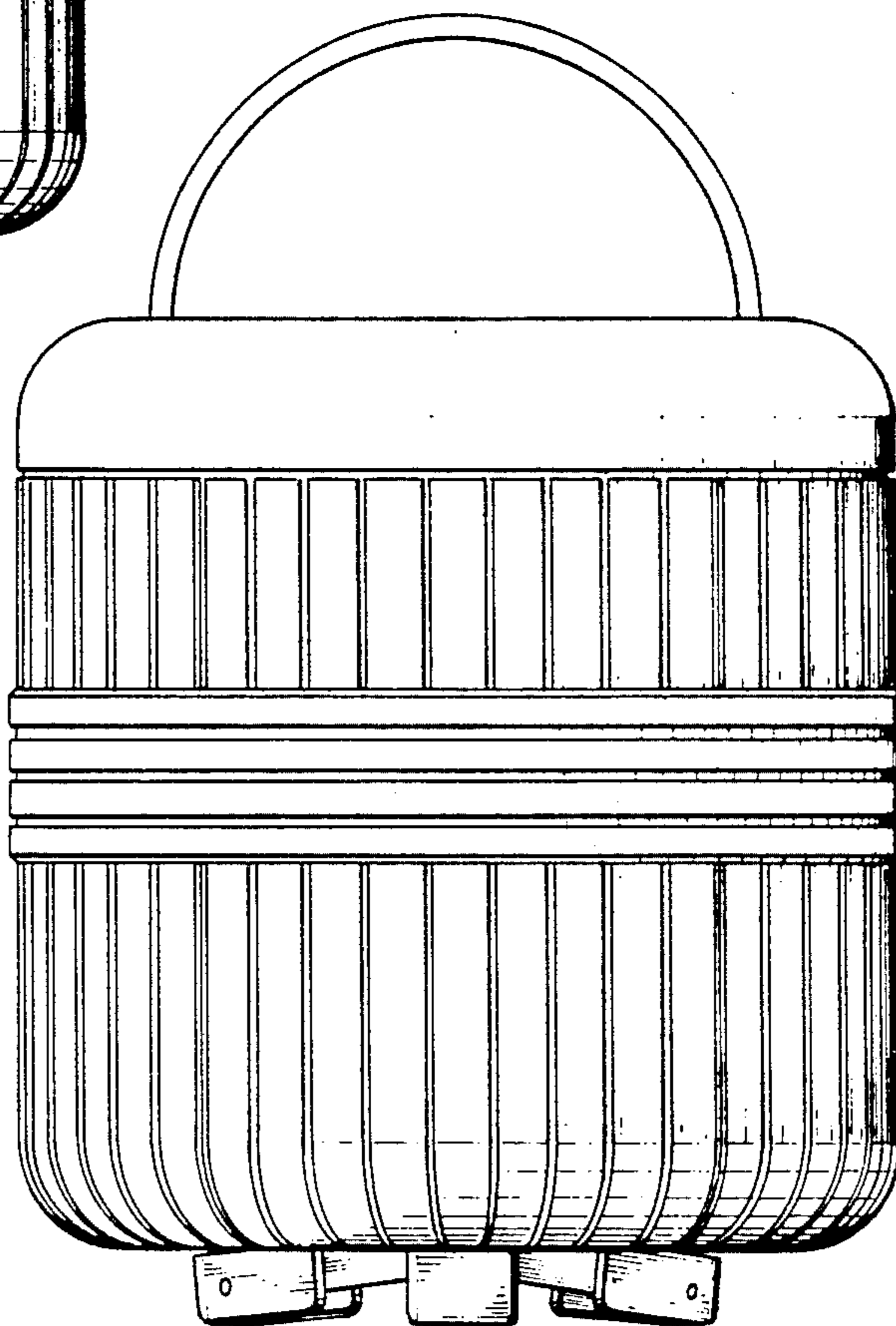


FIG. 2

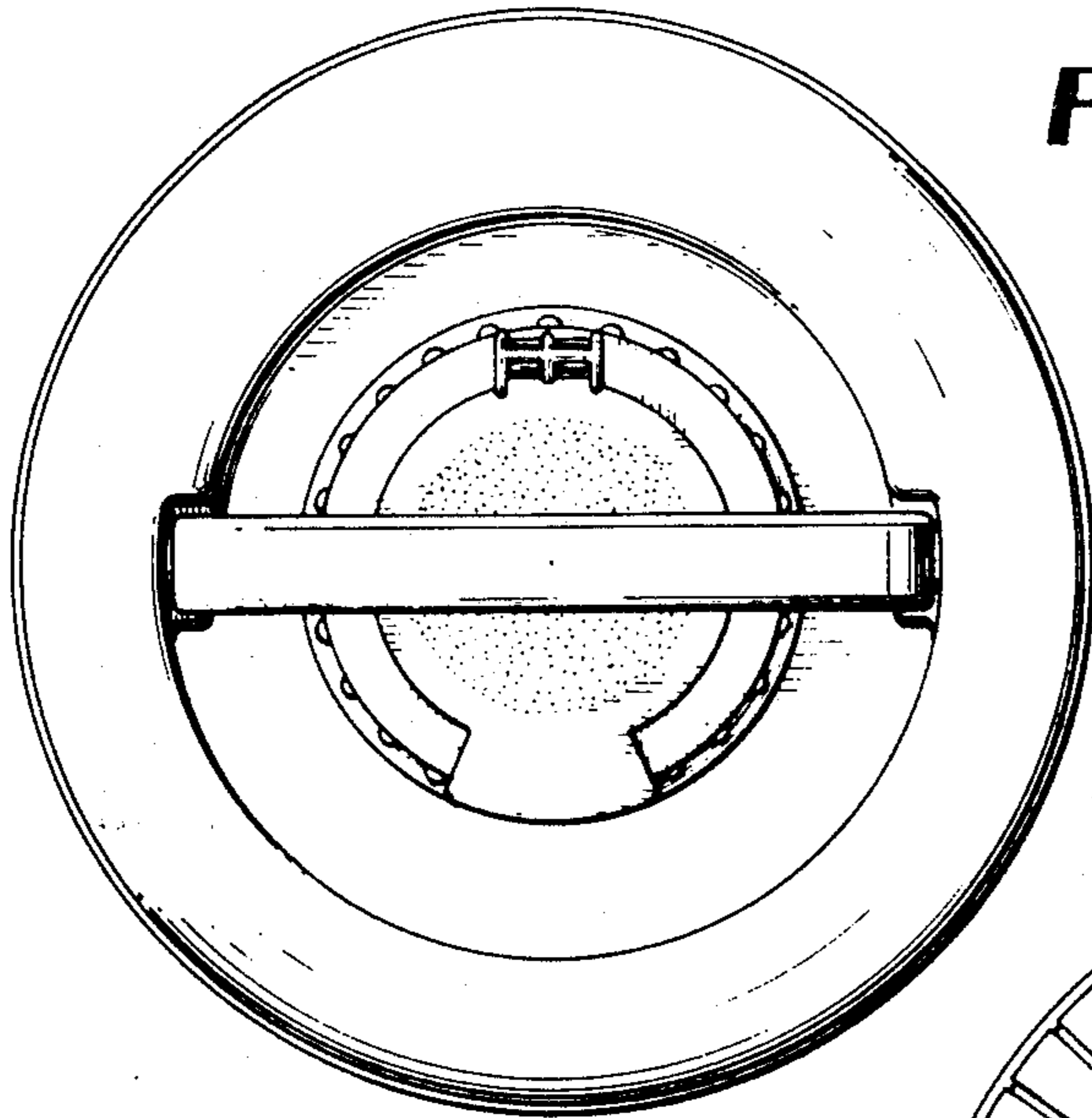


FIG. 3

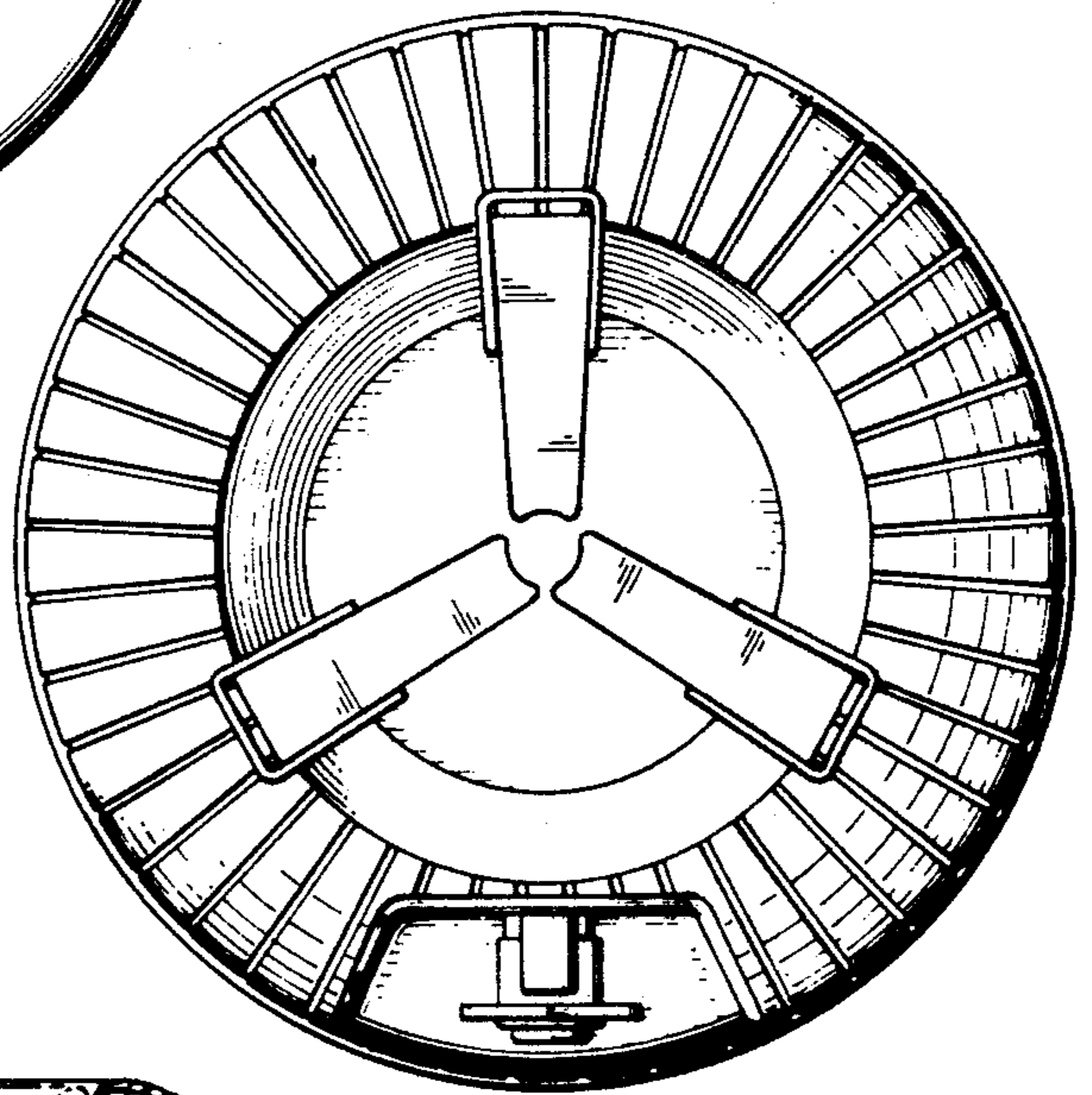


FIG. 4

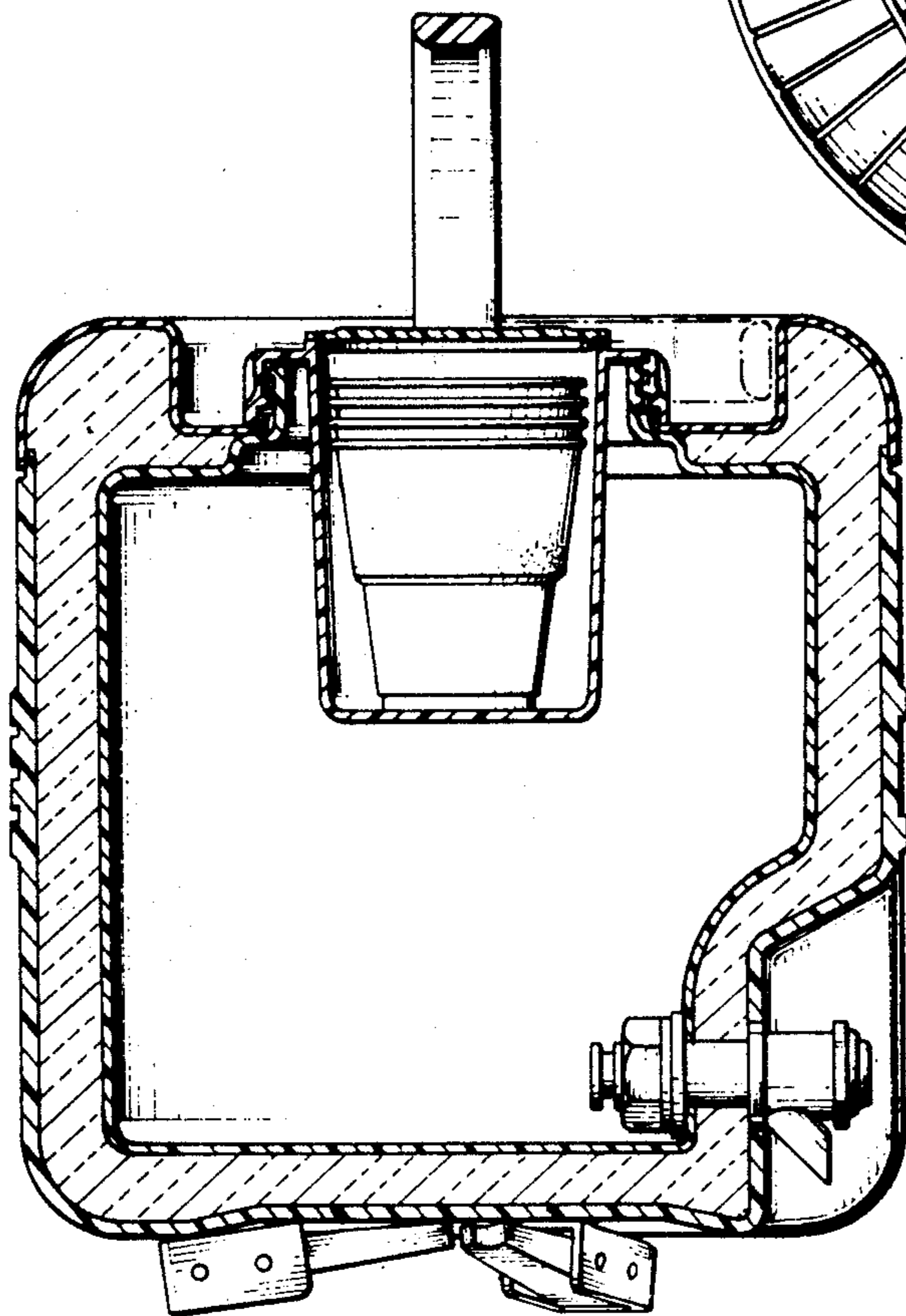


FIG. 5

FIG.6

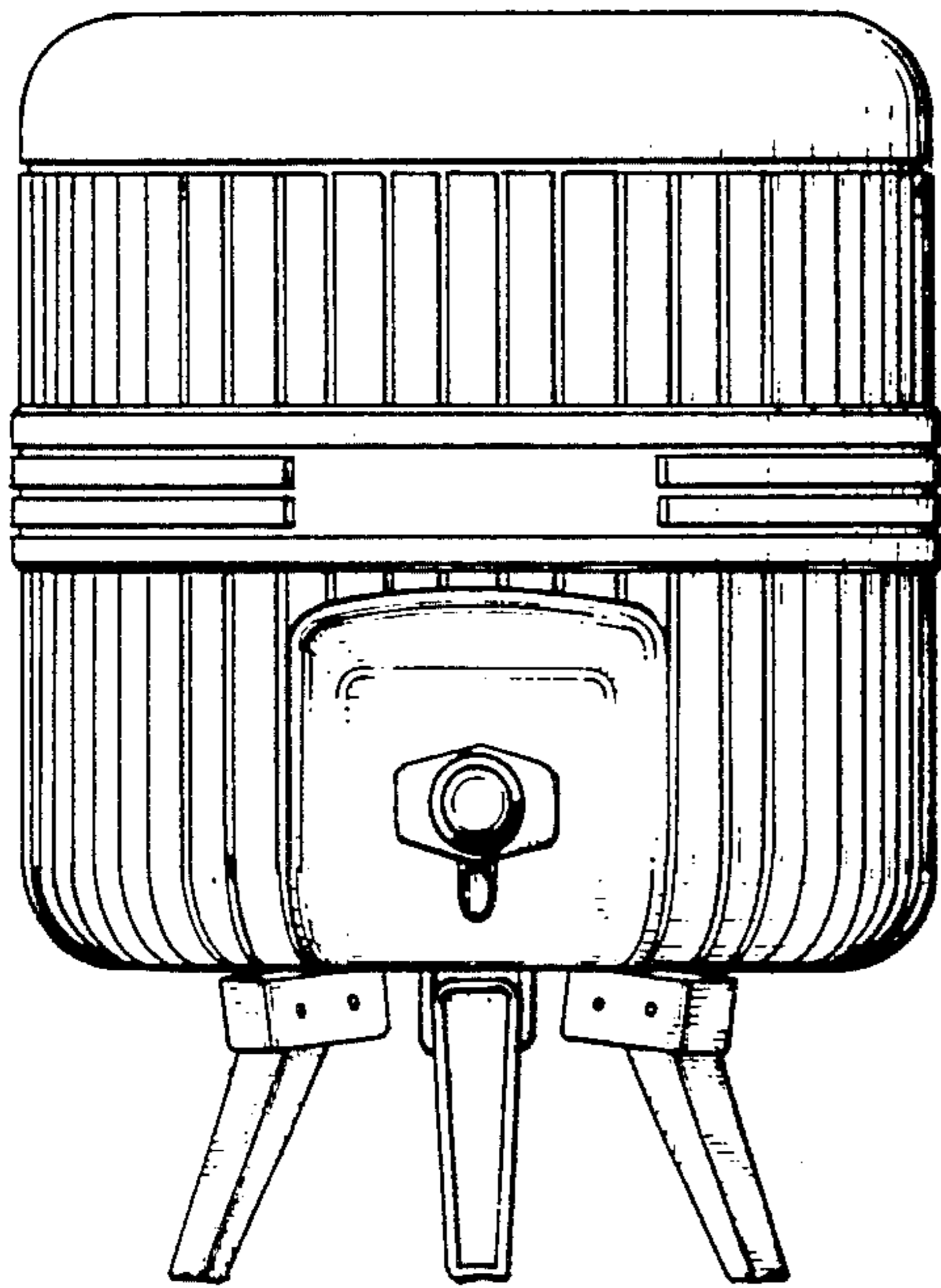


FIG.7

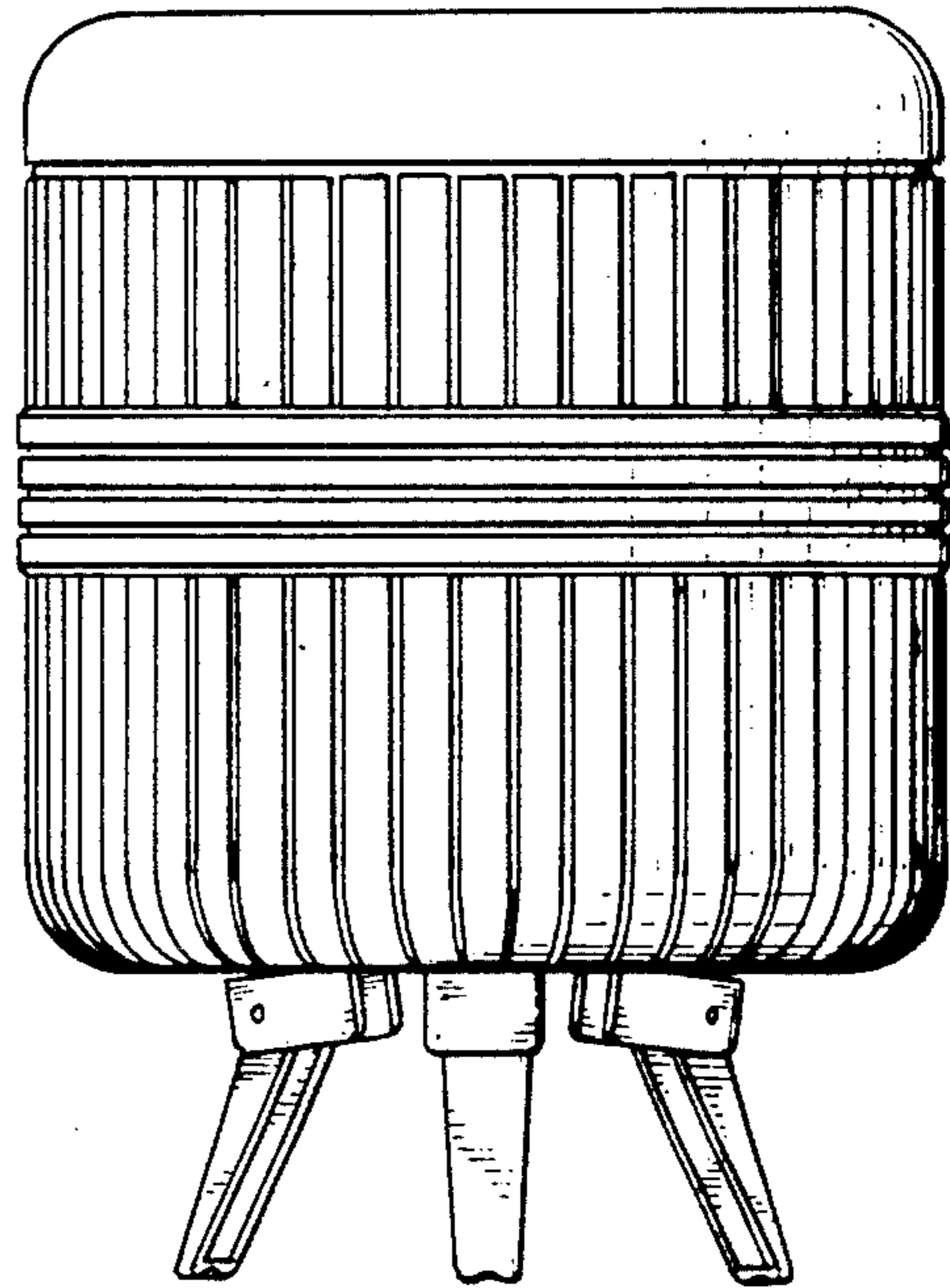


FIG.8

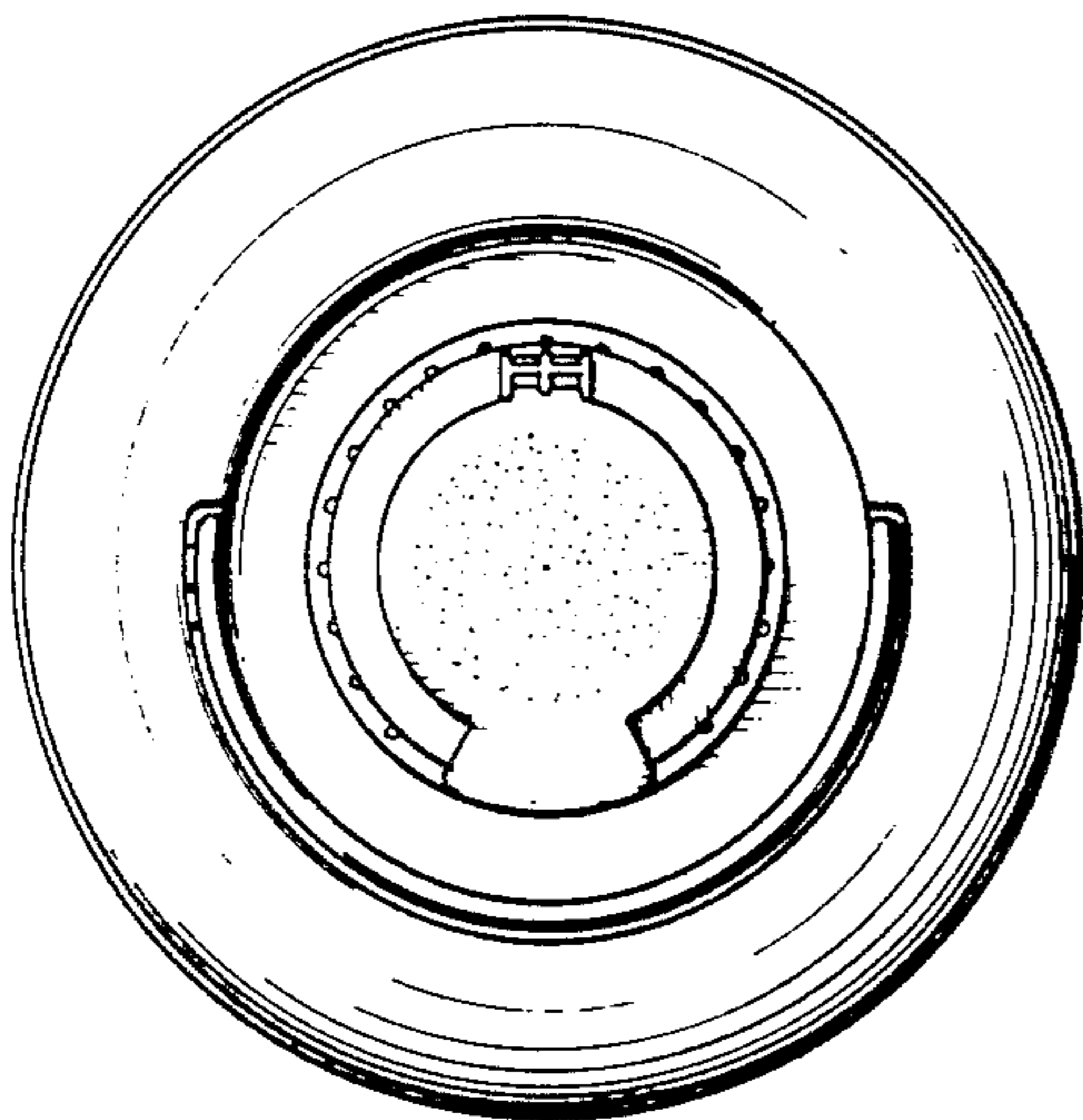


FIG.9

