

[54] COOKIE CUTTER OR THE LIKE

[75] Inventor: Robert H. C. M. Daenen, Hekelgem, Belgium

[73] Assignee: Dart Industries Inc., Northbrook, Ill.

[**] Term: 14 Years

[21] Appl. No.: 501,346

[22] Filed: Jun. 6, 1983

[52] U.S. Cl. D7/43

[58] Field of Search D7/43, 44, 5; 30/301, 30/305, 316, 302; D1/127, 115, 106, 199

[56] References Cited

U.S. PATENT DOCUMENTS

- D. 22,532 6/1893 Pfenninger .
- D. 82,215 10/1930 Fontana .
- D. 93,396 9/1934 Hartenberger .
- D. 114,372 4/1939 Zimmerly .
- D. 174,512 4/1955 Owens et al. .
- 198,219 12/1877 Schell, Jr. 30/301
- 398,139 2/1889 Eaton .

762,369	6/1904	Wray .	
1,446,513	2/1923	Morris	30/301
2,052,510	8/1936	Woolverton	17/32 X
2,077,014	4/1937	Samuel	209/236
2,119,260	5/1938	Valle	30/301
2,537,455	1/1951	Genovese	30/301
2,649,657	8/1953	Shaw	30/305
2,655,709	10/1953	Gentry	25/105
3,128,724	4/1964	Linder	D7/43 X

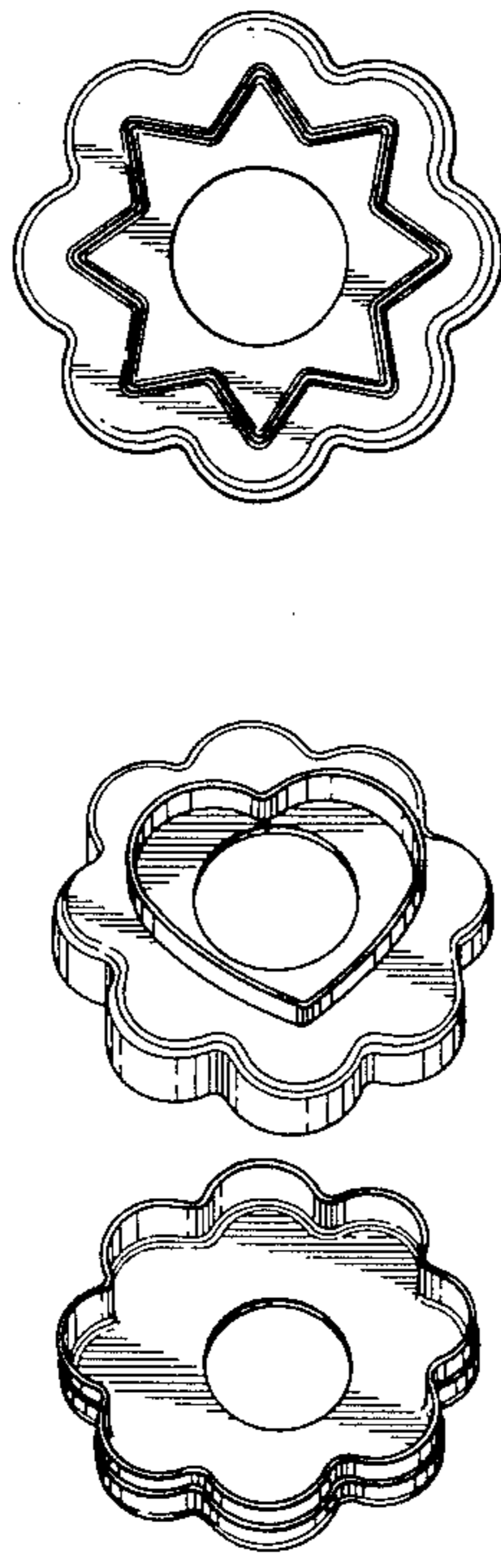
Primary Examiner—Bernard Ansher
Assistant Examiner—Terry Pfeffer
Attorney, Agent, or Firm—John A. Doninger

[57] CLAIM

The ornamental design for a cookie cutter or the like, substantially as is shown.

DESCRIPTION

FIG. 1 is a top perspective view of the cookie cutter or the like showing my new design;
FIG. 2 is a top plan view thereof;
FIG. 3 is a side view thereof;
FIG. 4 is a bottom plan view thereof;
FIG. 5 is an exploded top perspective view thereof.



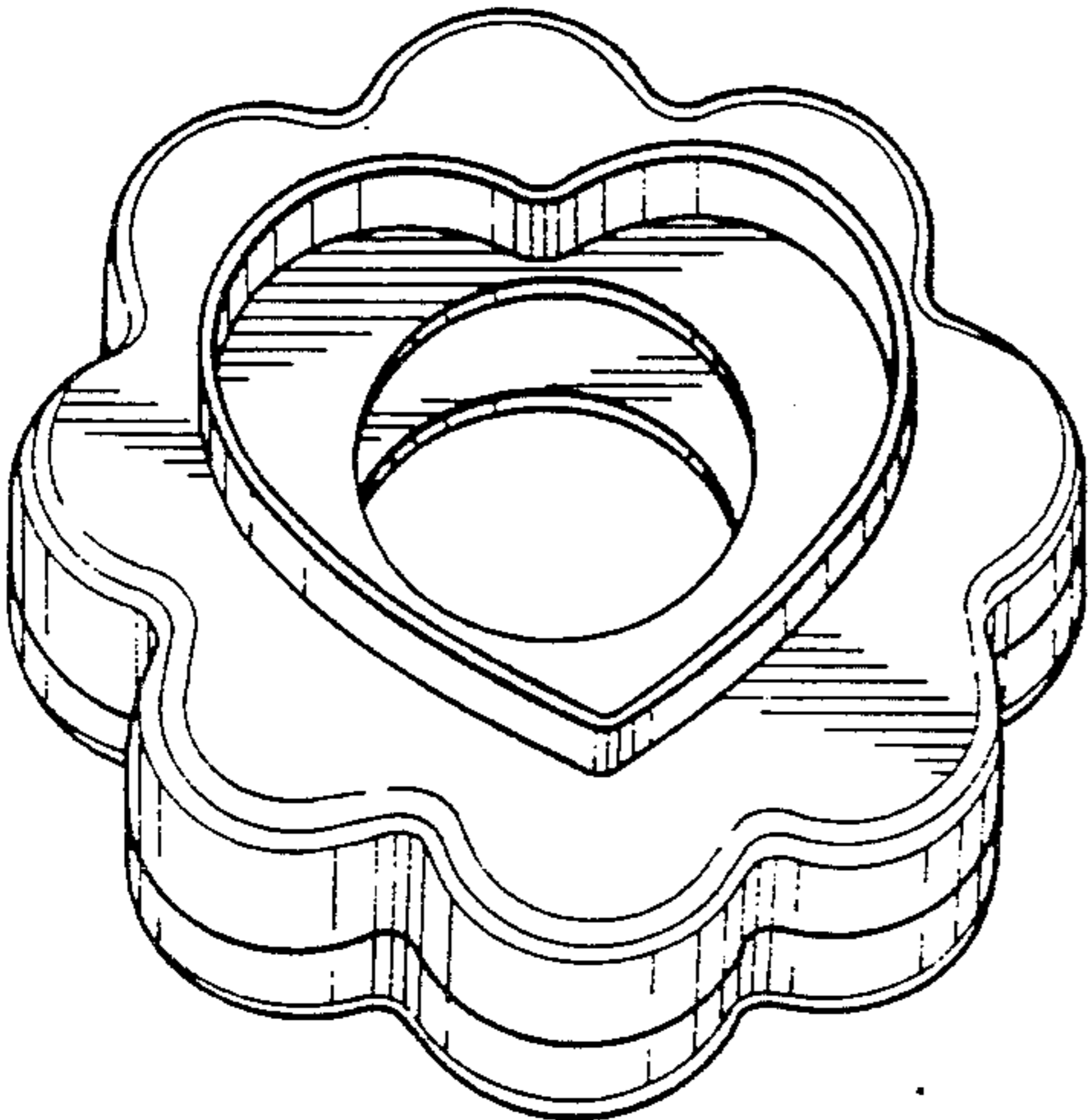


FIG. 1

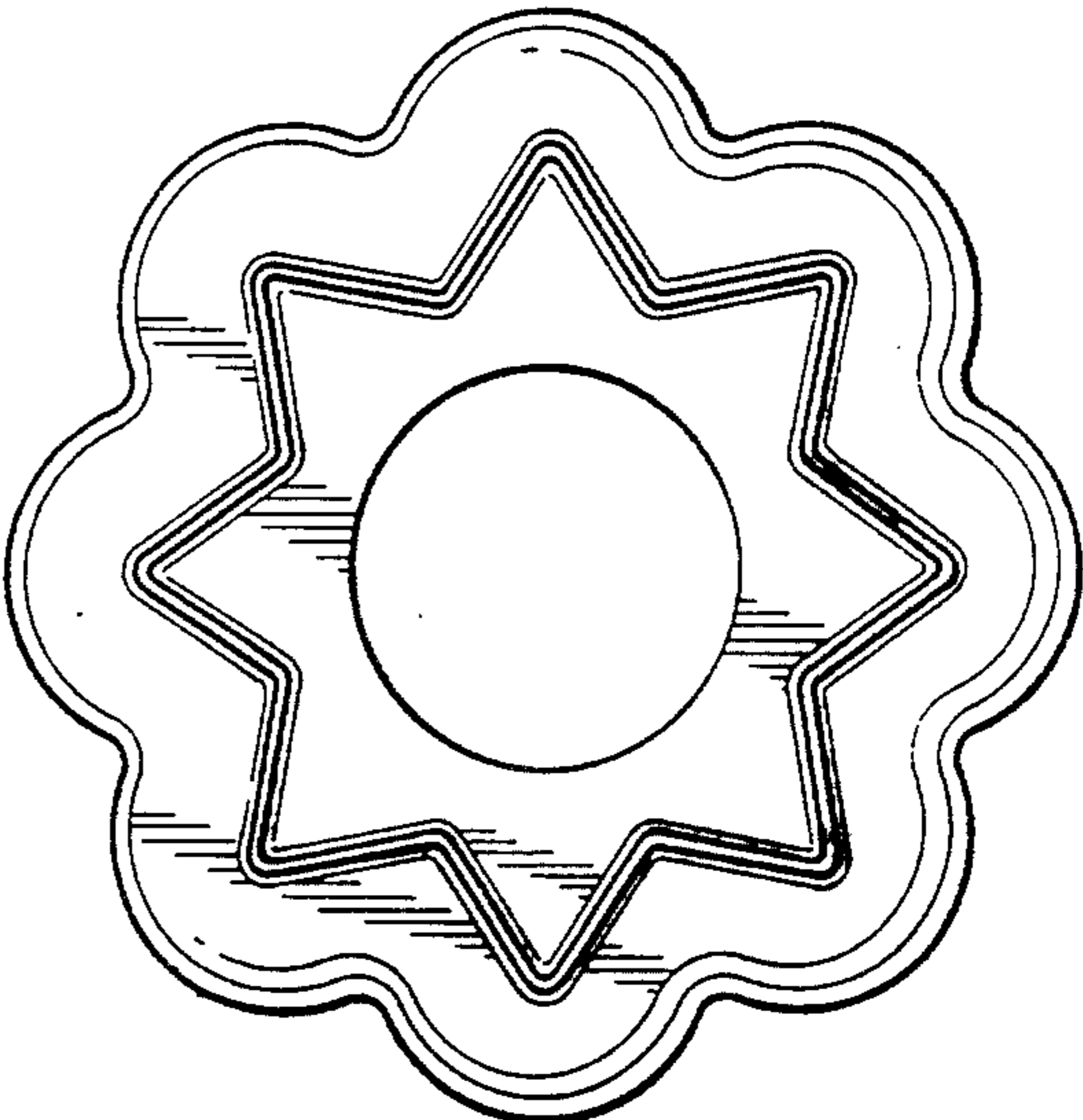


FIG. 4

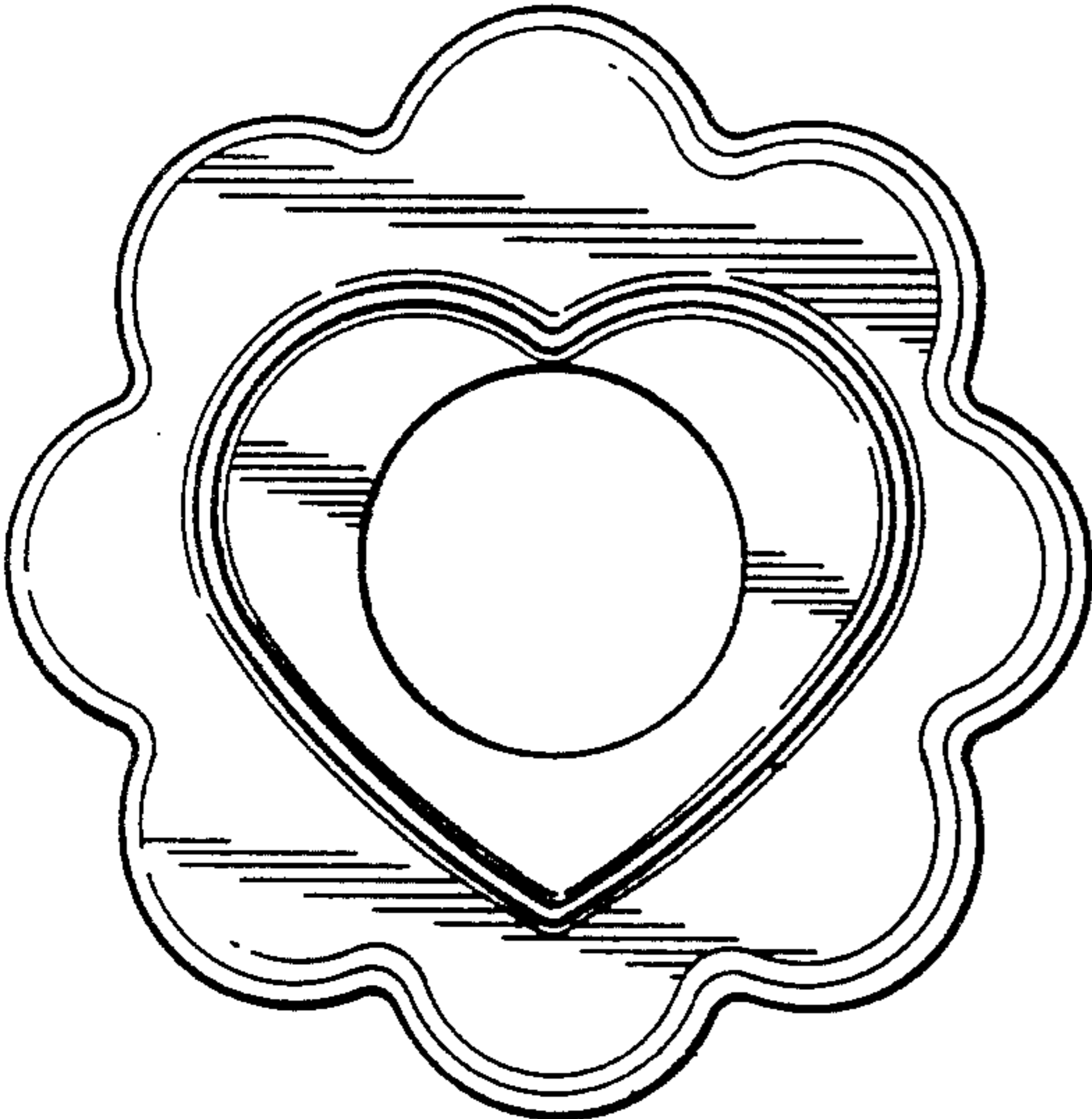


FIG. 2

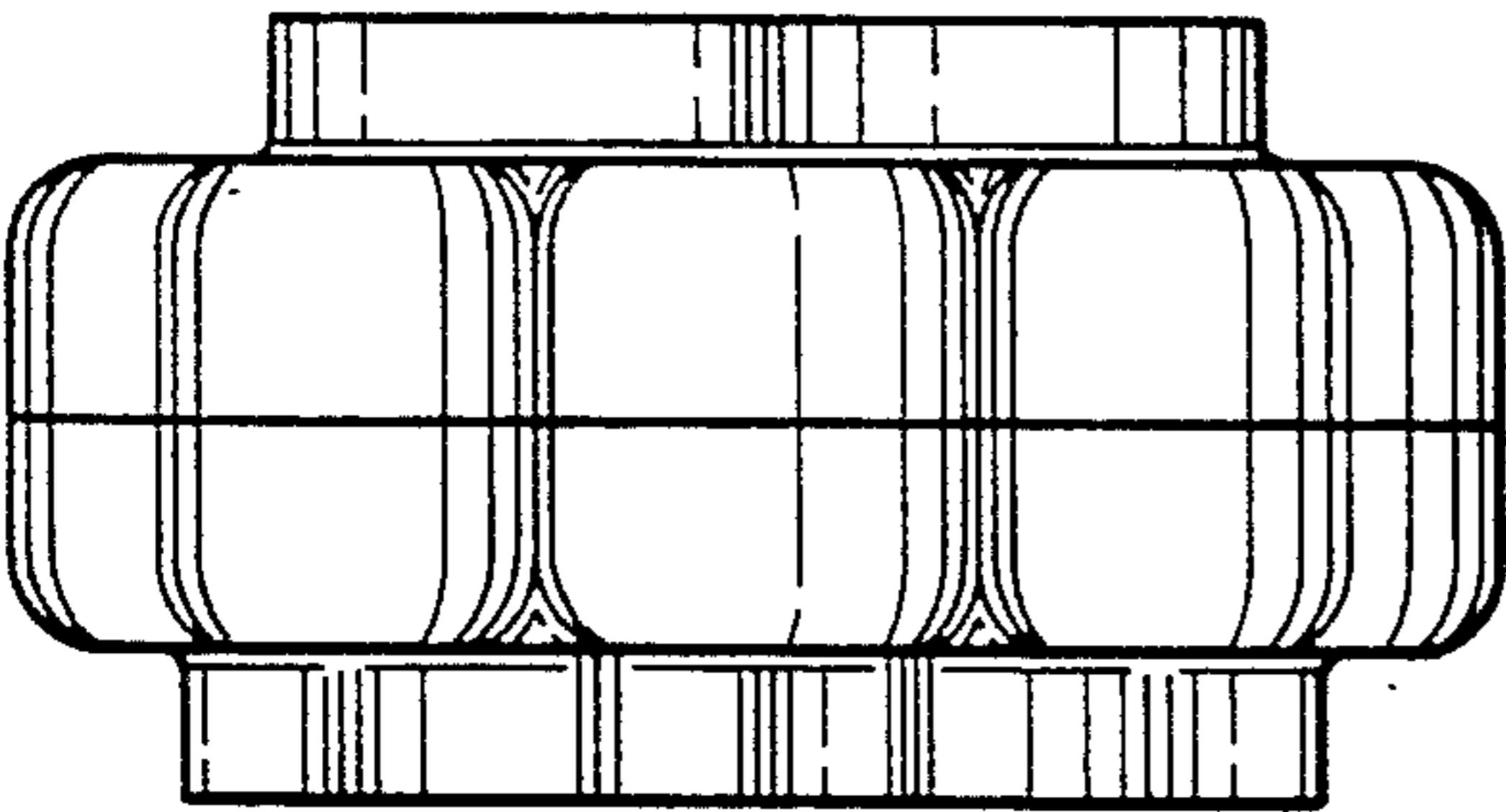
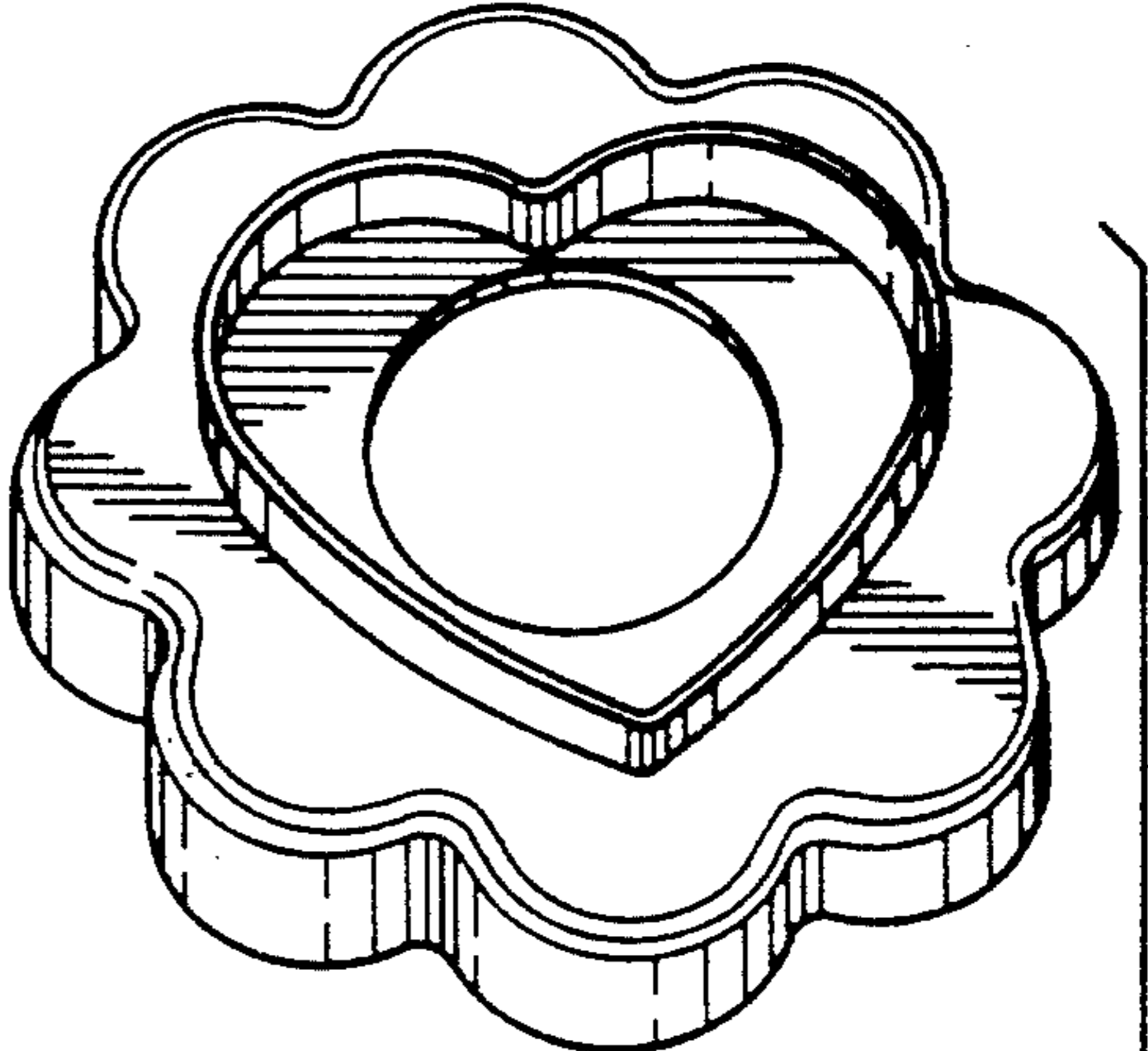


FIG. 3

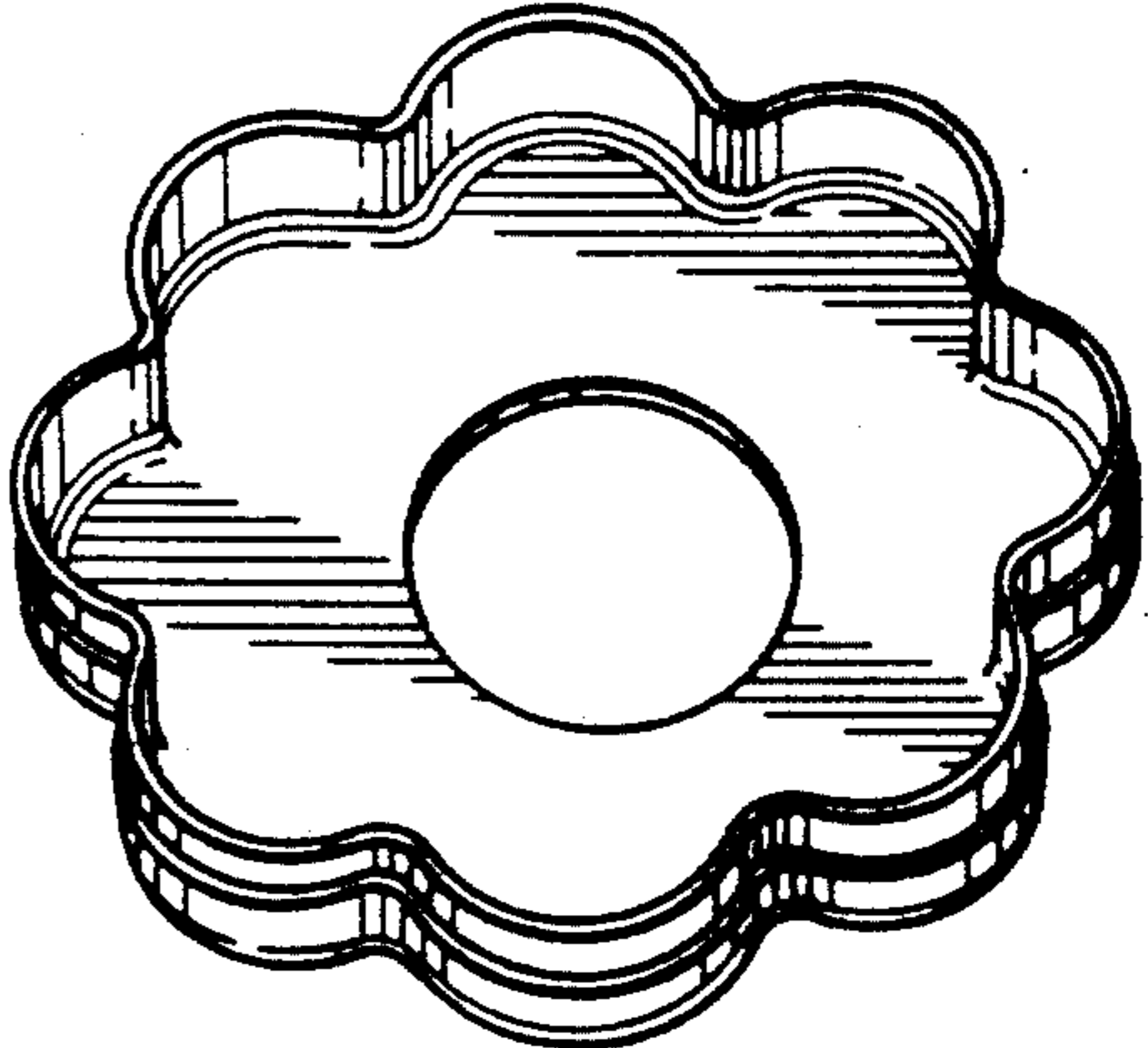


FIG. 5