

[54] **TABLE BASE**

[75] **Inventor:** William Doezema, Grand Rapids, Mich.

[73] **Assignee:** Baker, Knapp & Tubbs, Inc., Chicago, Ill.

[**] **Term:** 14 Years

[21] **Appl. No.:** 543,188

[22] **Filed:** Oct. 18, 1983

[52] **U.S. Cl.** D6/495; D6/484

[58] **Field of Search** D6/449, 401, 495, 497, D6/499, 484, 488

[56] **References Cited**

U.S. PATENT DOCUMENTS

D. 176,491	1/1956	Adler	D6/488
D. 234,068	1/1975	Mudde	D6/489 X
D. 243,306	2/1977	Moyer	D6/488 X
D. 255,074	5/1980	Adkinson	D6/488
D. 271,551	11/1983	Rausch	D6/495

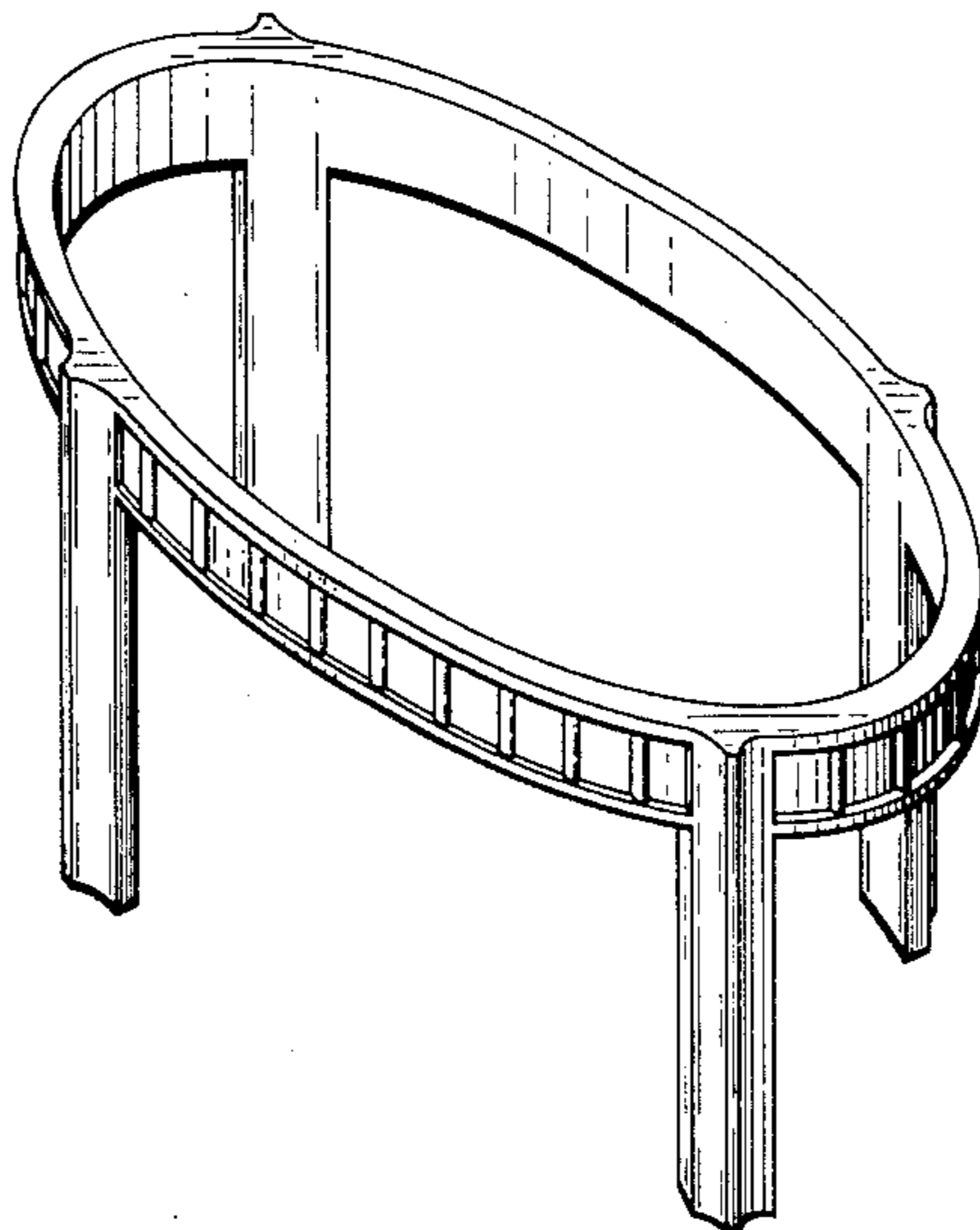
Primary Examiner—Bruce W. Dunkins
Attorney, Agent, or Firm—Thomas A. Briody; William J. Streeter

[57] **CLAIM**

The ornamental design for a table base, as shown and described.

DESCRIPTION

FIG. 1 is a perspective view of a table base showing my design wherein the side and end not shown are the same in appearance as the respective side and end shown; FIG. 2 is a top plan view of a table base showing a second embodiment of the design wherein the table base is round in plan rather than elliptical; FIG. 3 is a side elevational view of the FIG. 2 embodiment; and FIG. 4 is a bottom plan view thereof; FIG. 5 is a perspective view of a table base showing a third embodiment of my design wherein the side and end not shown are like the side and end shown, respectively.



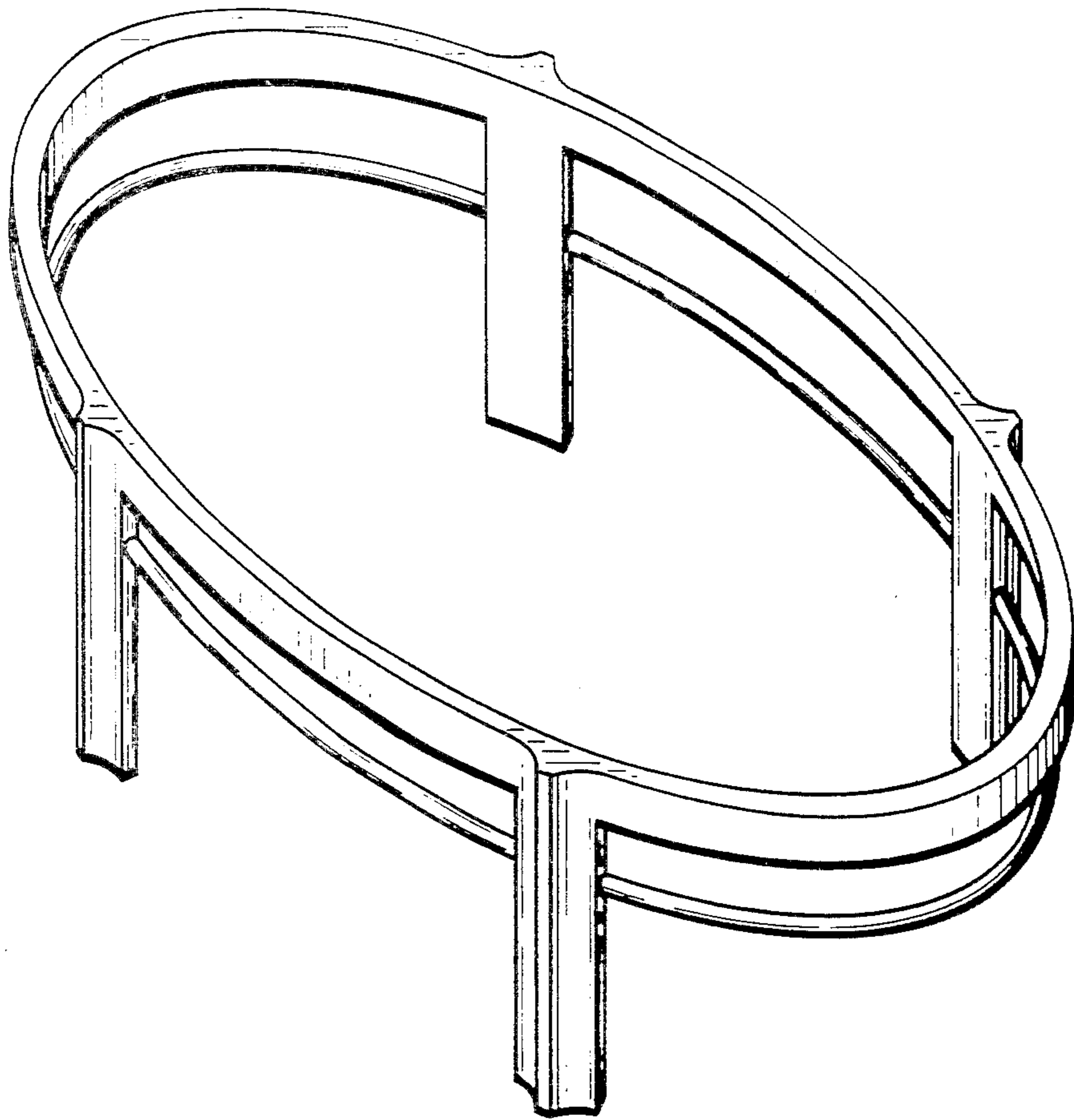


Fig. 1

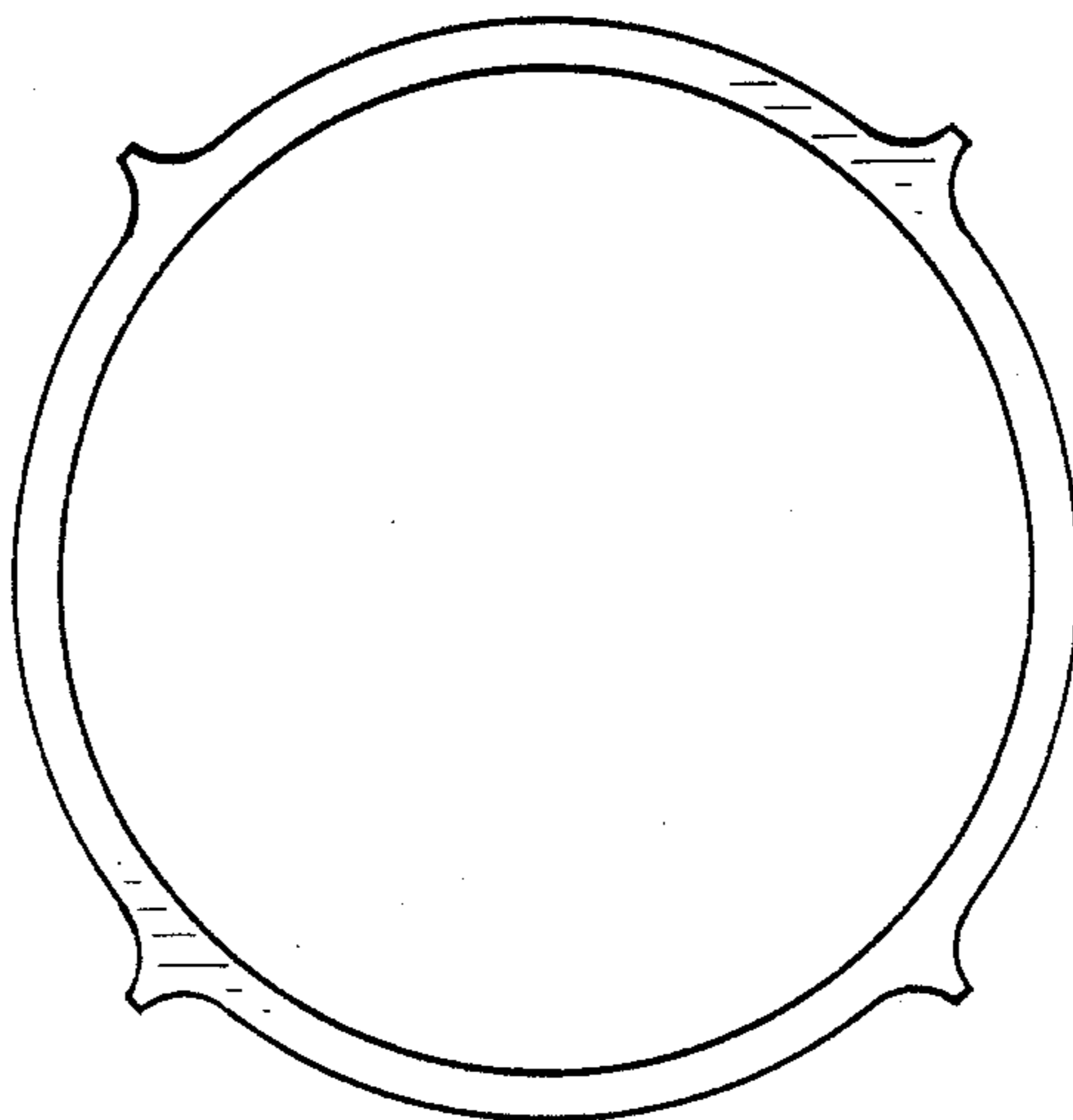


Fig. 2

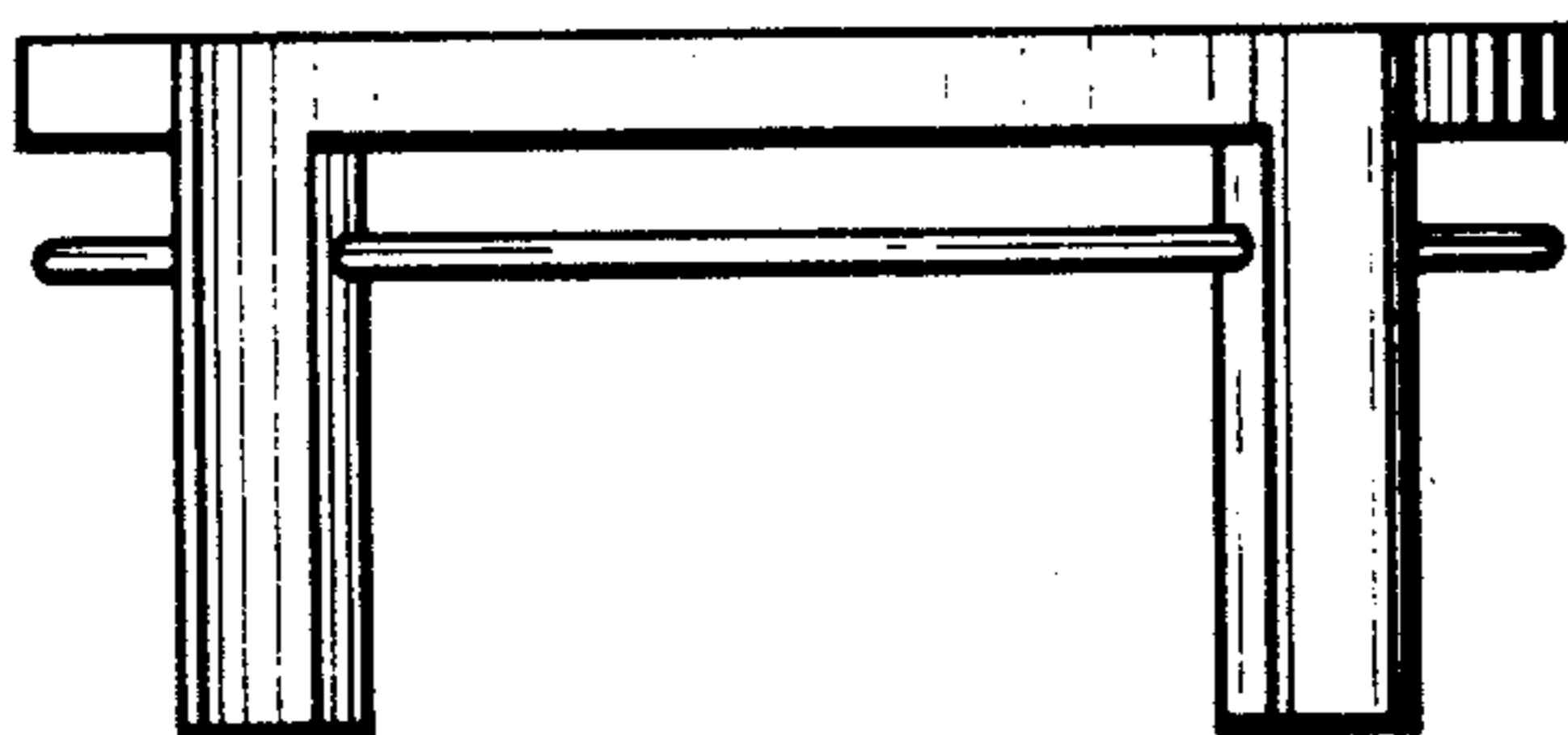


Fig. 3

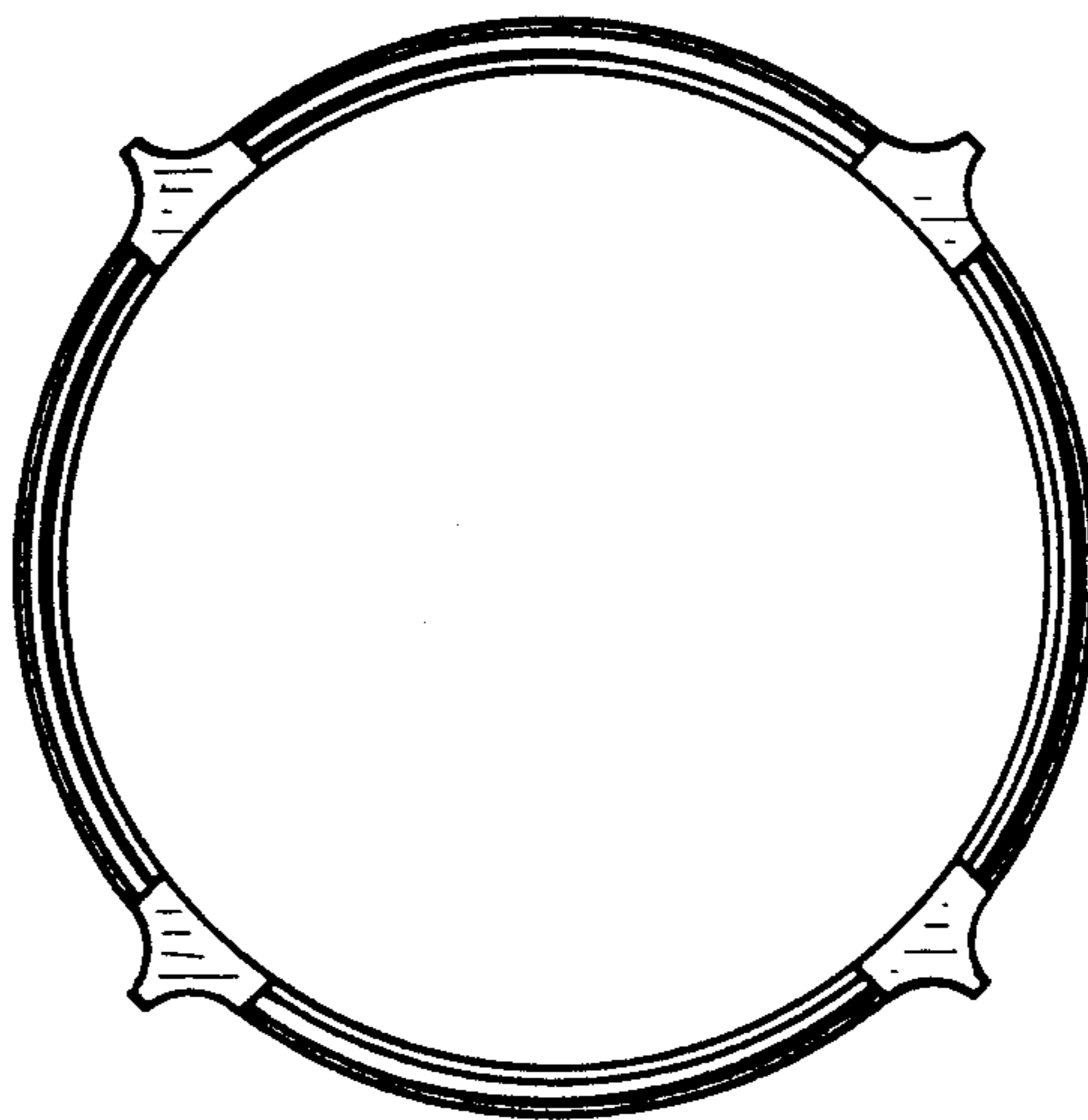


Fig. 4

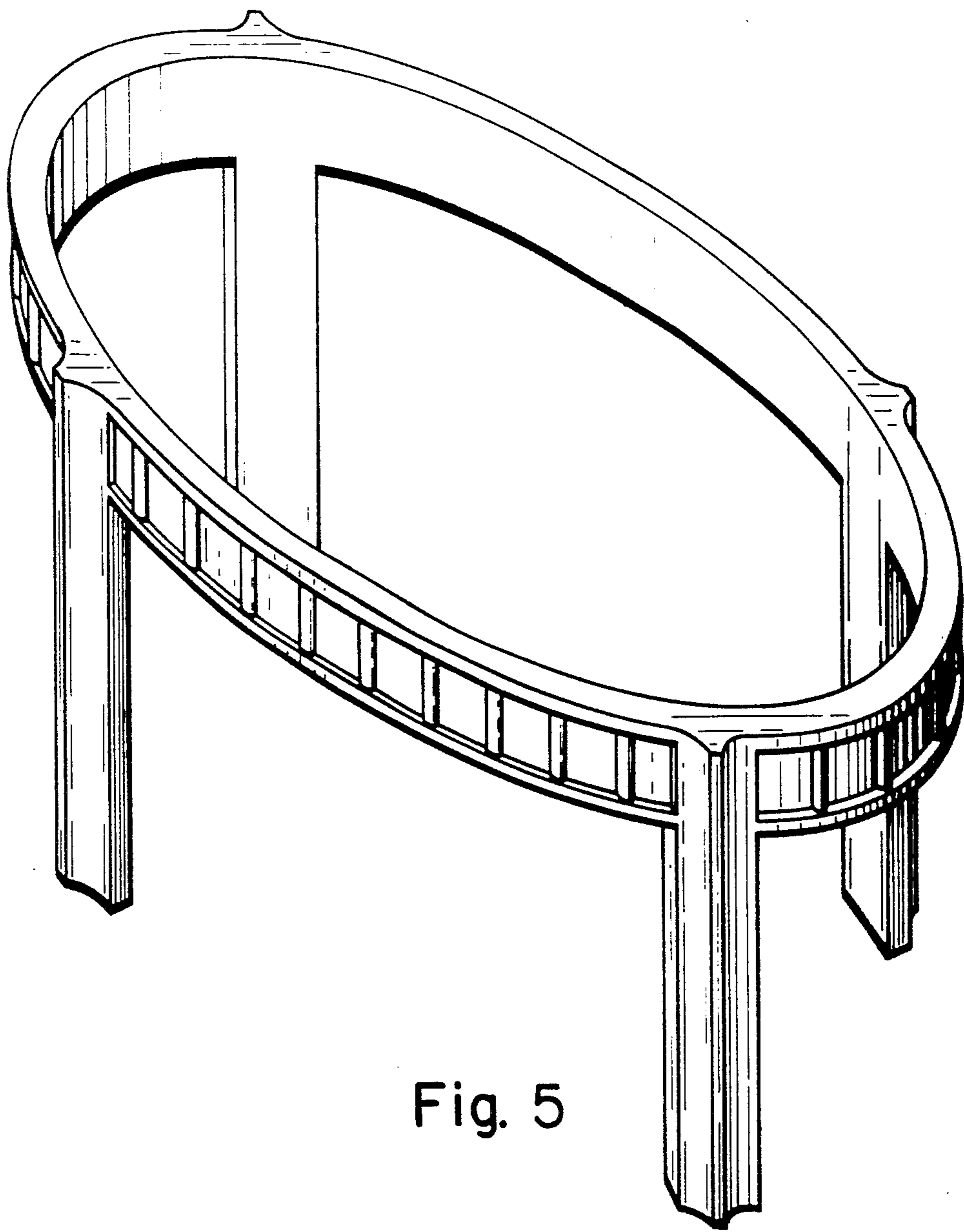


Fig. 5