

[54] WELDING ROD CASE

3,800,981 4/1974 Zeller ..... 206/443  
4,445,611 5/1984 Shofu ..... 206/443

[76] Inventor: James E. Byrns, 1027 2nd Ave. S.,  
Clinton, Iowa 52732

Primary Examiner—George P. Word  
Attorney, Agent, or Firm—Thomas J. Greer, Jr.

[\*\*] Term: 14 Years

[57] CLAIM

[21] Appl. No.: 538,545

The ornamental design for a welding rod case, as shown  
and described.

[22] Filed: Oct. 3, 1983

[52] U.S. Cl. .... D3/30.1; D9/332;  
D9/377

DESCRIPTION

[58] Field of Search ..... D3/30.1, 36, 37, 74,  
D3/75; D9/377, 332; 206/443, 379, 380, 306

FIG. 1 is an enlarged top front perspective view of a  
welding rod case showing my new design with the  
closure removed;

[56] References Cited

U.S. PATENT DOCUMENTS

- D. 205,048 6/1966 Iblings et al. .... D3/35
- D. 258,421 3/1981 Polatschek et al. .... D9/377
- D. 265,886 8/1982 Caputo ..... D9/332
- 3,244,272 4/1966 Beaman et al. .... D9/377

FIG. 2 is a perspective view thereof in the closed condi-  
tion;

FIG. 3 is a bottom rear perspective view thereof;

FIG. 4 is a cross-sectional view taken along line 4—4 of  
FIG. 2; and

FIG. 5 is a cross-sectional view taken along line 5—5 of  
FIG. 2.

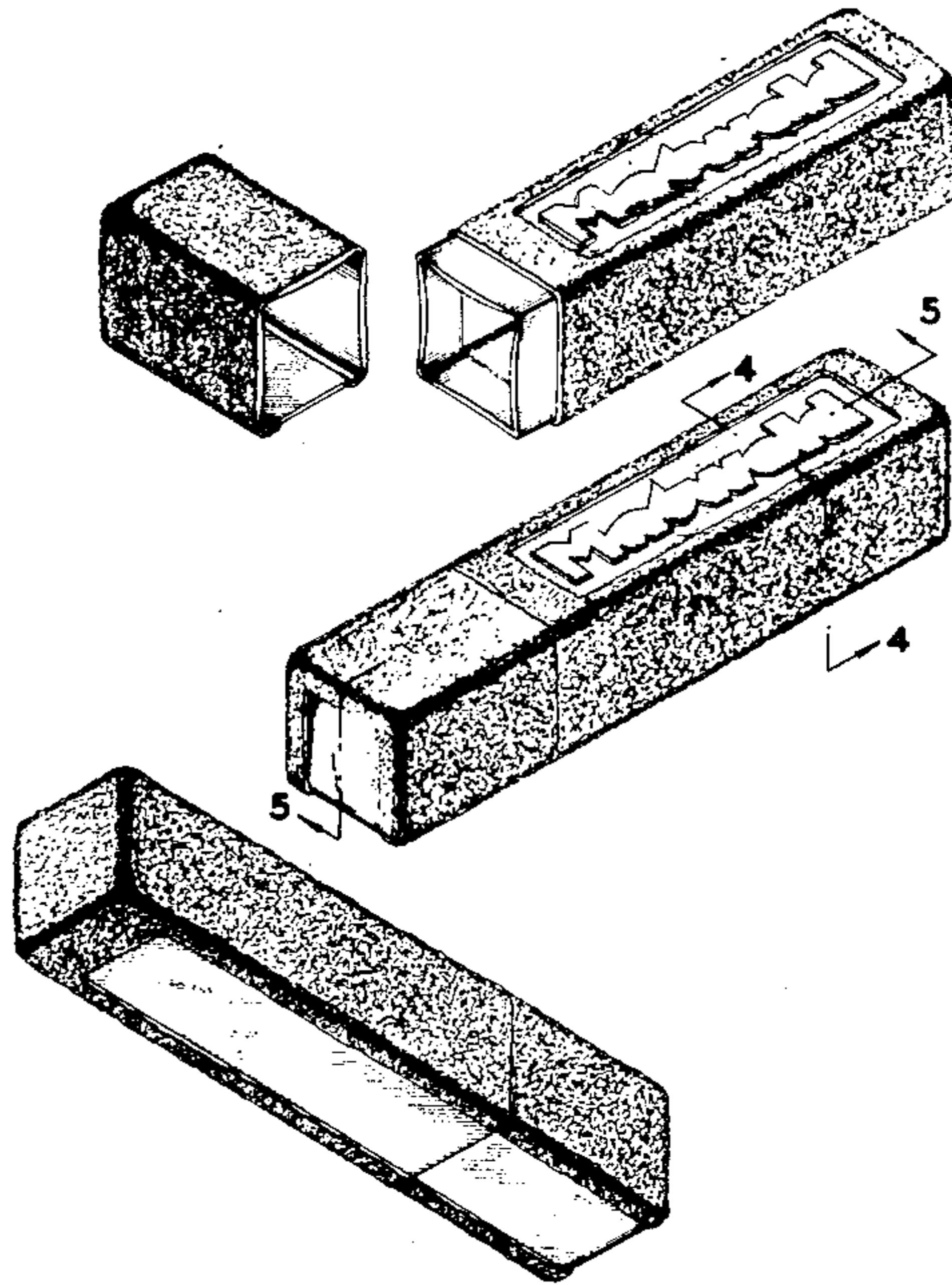


FIG. 1

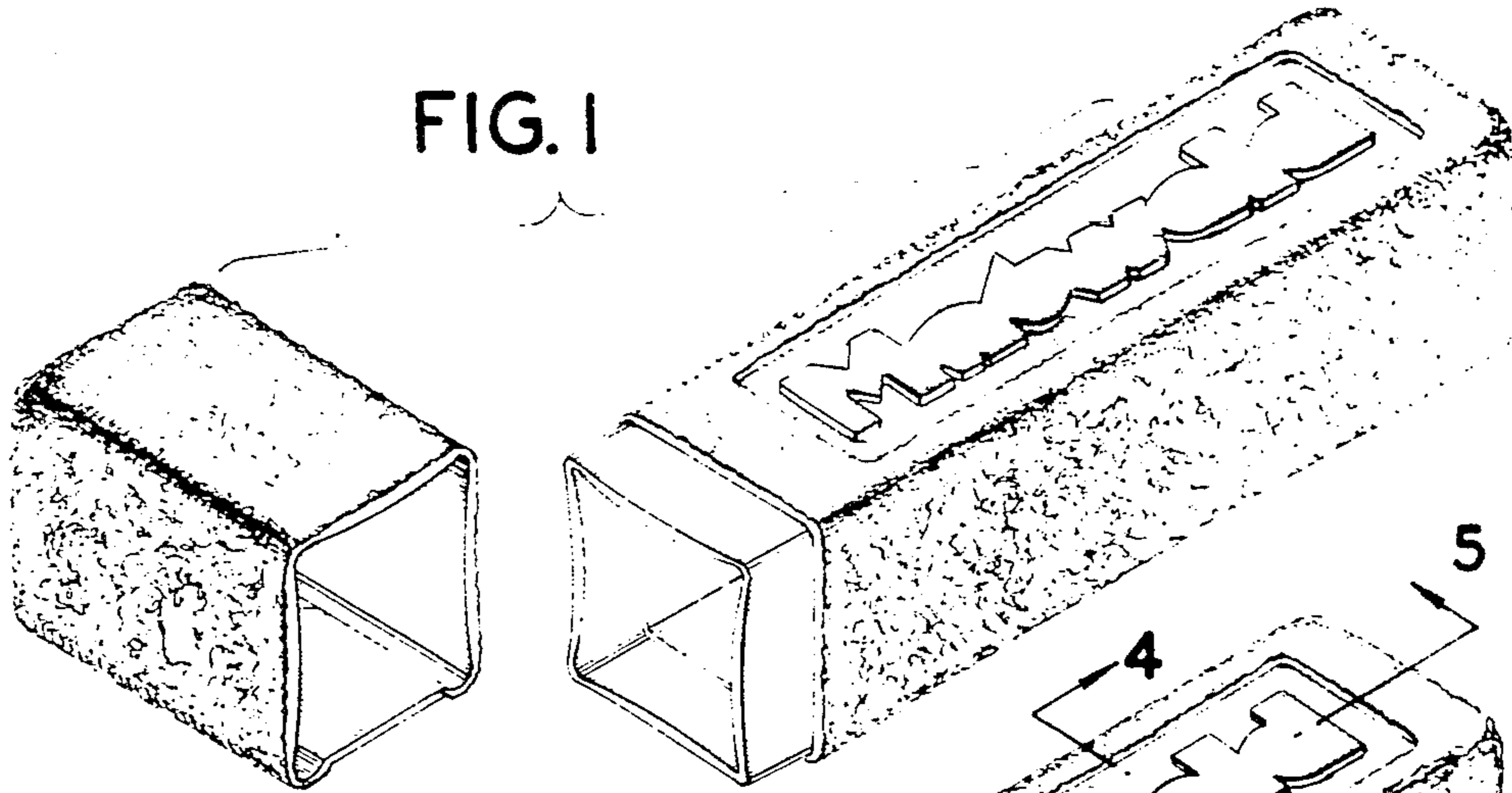


FIG. 2

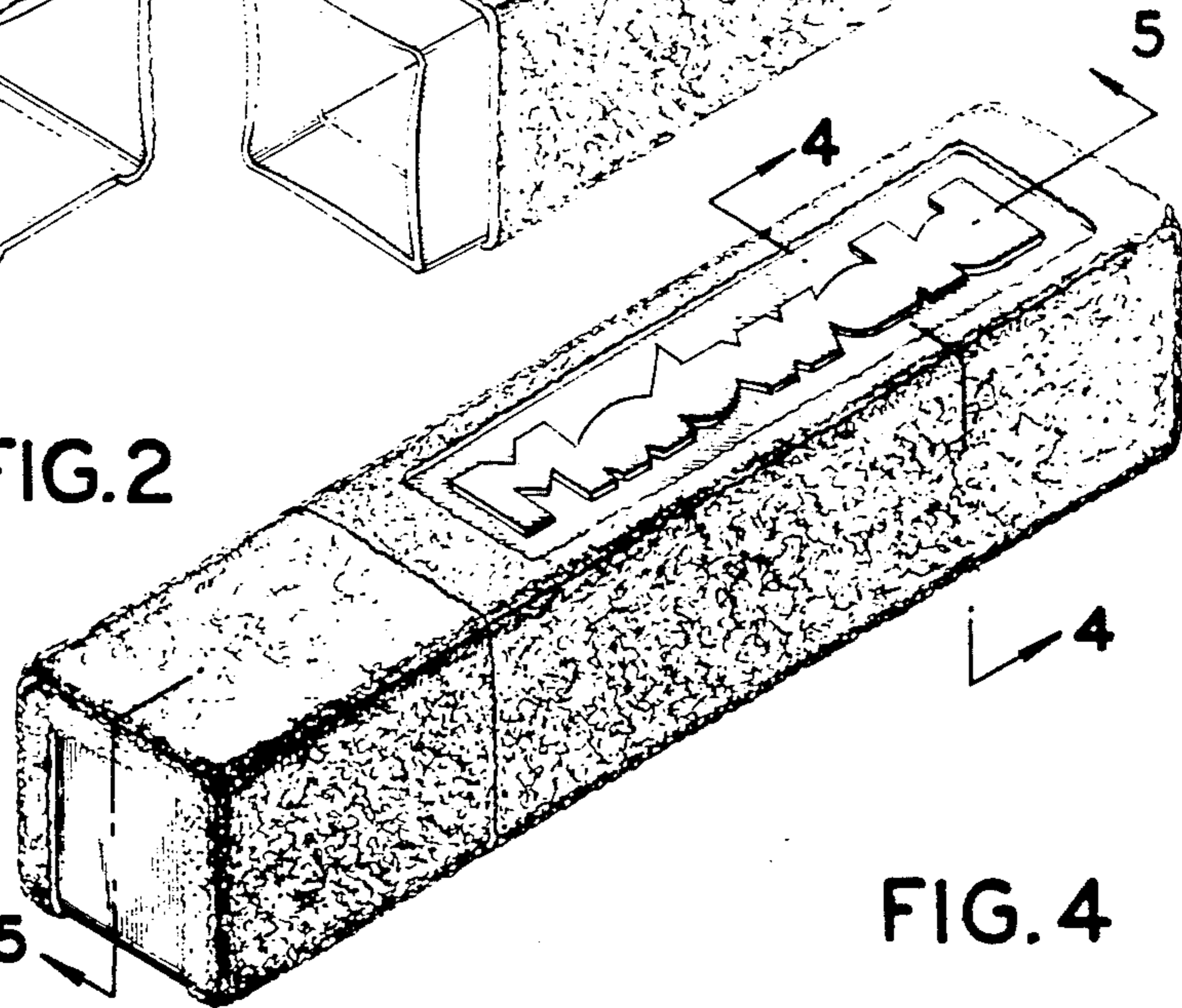


FIG. 3

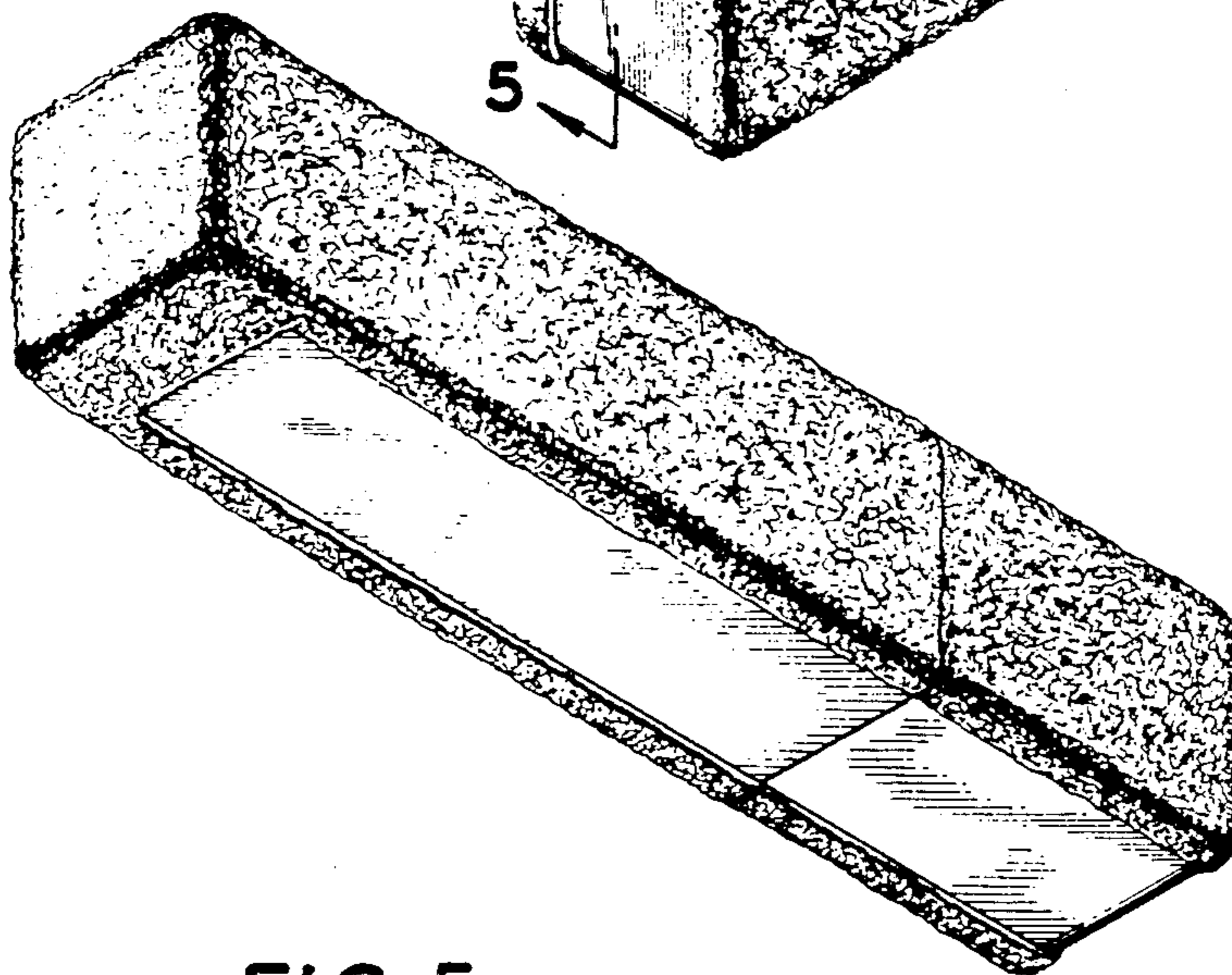


FIG. 4

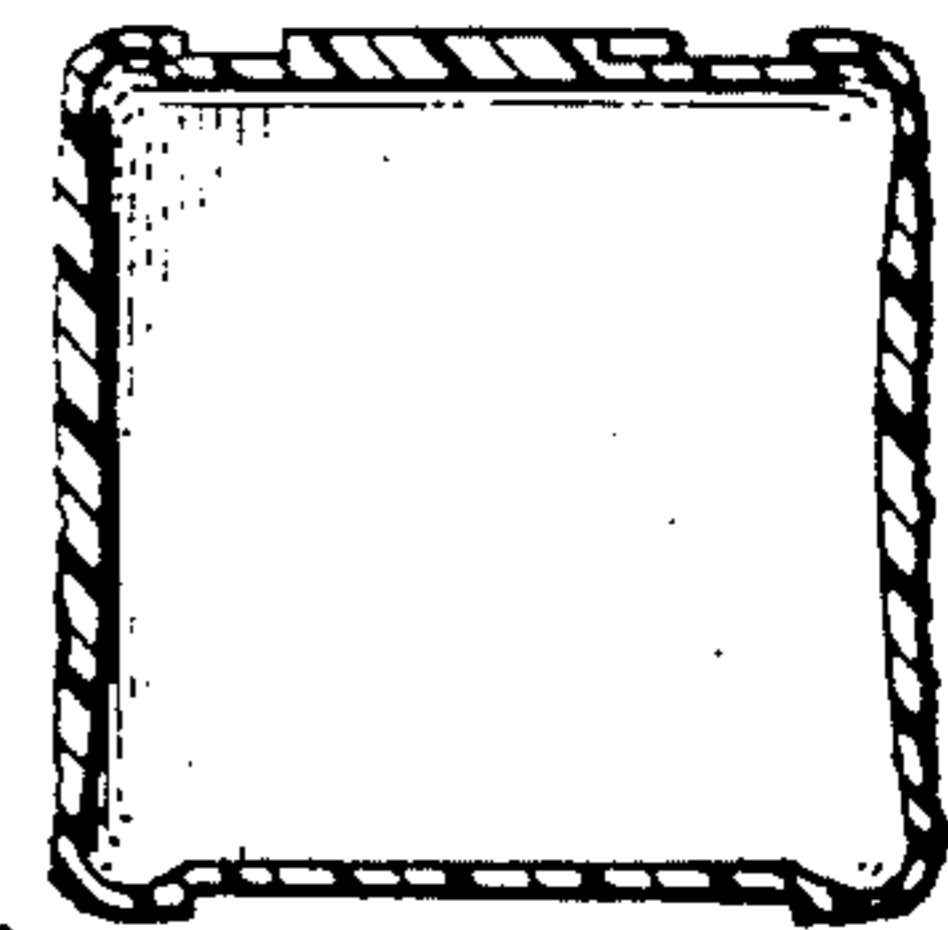


FIG. 5

