

[54] **STORAGE BIN**

[75] Inventor: **Heikki Kiiski**, Turku, Finland

[73] Assignee: **Treston Oy**, Turku, Finland

[**] Term: **14 Years**

[21] Appl. No.: **469,987**

[22] Filed: **Feb. 25, 1983**

[30] **Foreign Application Priority Data**

Aug. 31, 1982 [FI] Finland 740/82
Aug. 31, 1982 [FI] Finland 742/82

[52] **U.S. Cl.** **D34/40**

[58] **Field of Search** D9/341, 345, 348, 424,
D9/425, 429, 432; 312/330, 270, 111; D34/40;
206/203, 503, 505, 509, 511, 557, 387; 229/15,
27; D6/509, 510, 511, 408; D19/75

[56] **References Cited**

U.S. PATENT DOCUMENTS

D. 211,712 7/1968 Martini D9/341
D. 222,520 10/1971 Caine D9/345 X
D. 224,369 7/1972 Mears D34/40
D. 229,300 11/1973 Carney D9/418
D. 242,659 12/1976 Clipson et al. D34/40
D. 248,147 6/1978 Rauch et al. D9/345
D. 265,768 8/1982 Howley D34/40
3,404,804 10/1968 Frater et al. D34/40 X

Primary Examiner—Robert C. Spangler

Attorney, Agent, or Firm—Fitch, Even, Tabin & Flannery

[57] **CLAIM**

The ornamental design for a storage bin, as shown and described.

DESCRIPTION

FIG. 1 is a top perspective view of a storage bin showing my new design;

FIG. 2 is a bottom perspective view thereof;

FIG. 3 is a bottom plan view thereof;

FIG. 4 is a top plan view thereof;

FIG. 5 is a side elevational view thereof;

FIG. 6 is a rear elevational view thereof;

FIG. 7 is a front elevational view thereof;

FIG. 8 is a sectional view thereof taken along line 8—8 of FIG. 4;

FIG. 9 is a sectional view thereof taken along line 9—9 of FIG. 4;

FIG. 10 is a top perspective view showing another embodiment of my new design;

FIG. 11 is a bottom perspective view thereof;

FIG. 12 is a bottom plan view thereof;

FIG. 13 is a top plan view thereof;

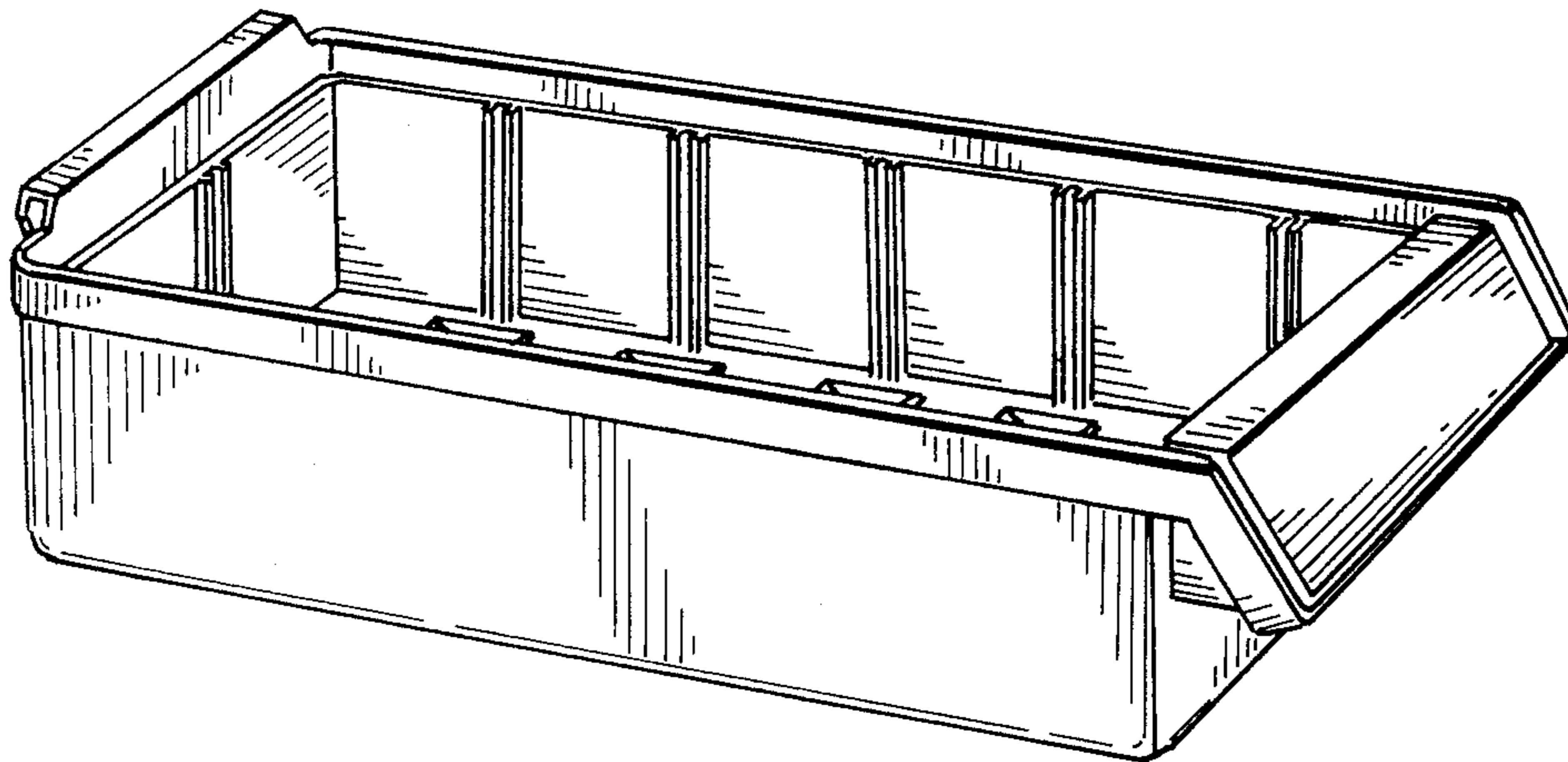
FIG. 14 is a side elevational view thereof;

FIG. 15 is a rear elevational view thereof;

FIG. 16 is a front elevational view thereof;

FIG. 17 is a sectional view thereof taken along line 17—17 of FIG. 13; and

FIG. 18 is a sectional view thereof taken along line 18—18 of FIG. 13.



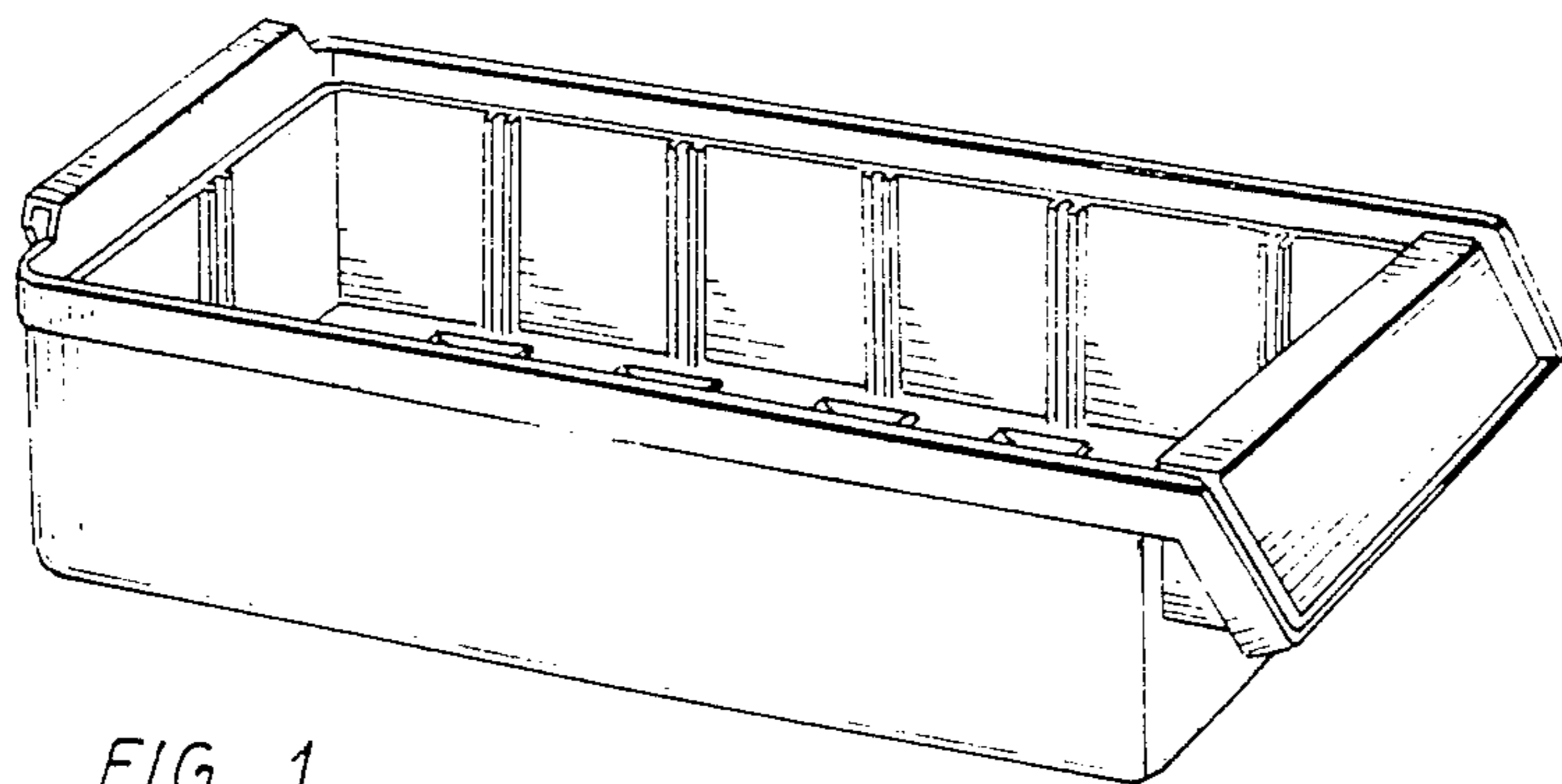


FIG. 1

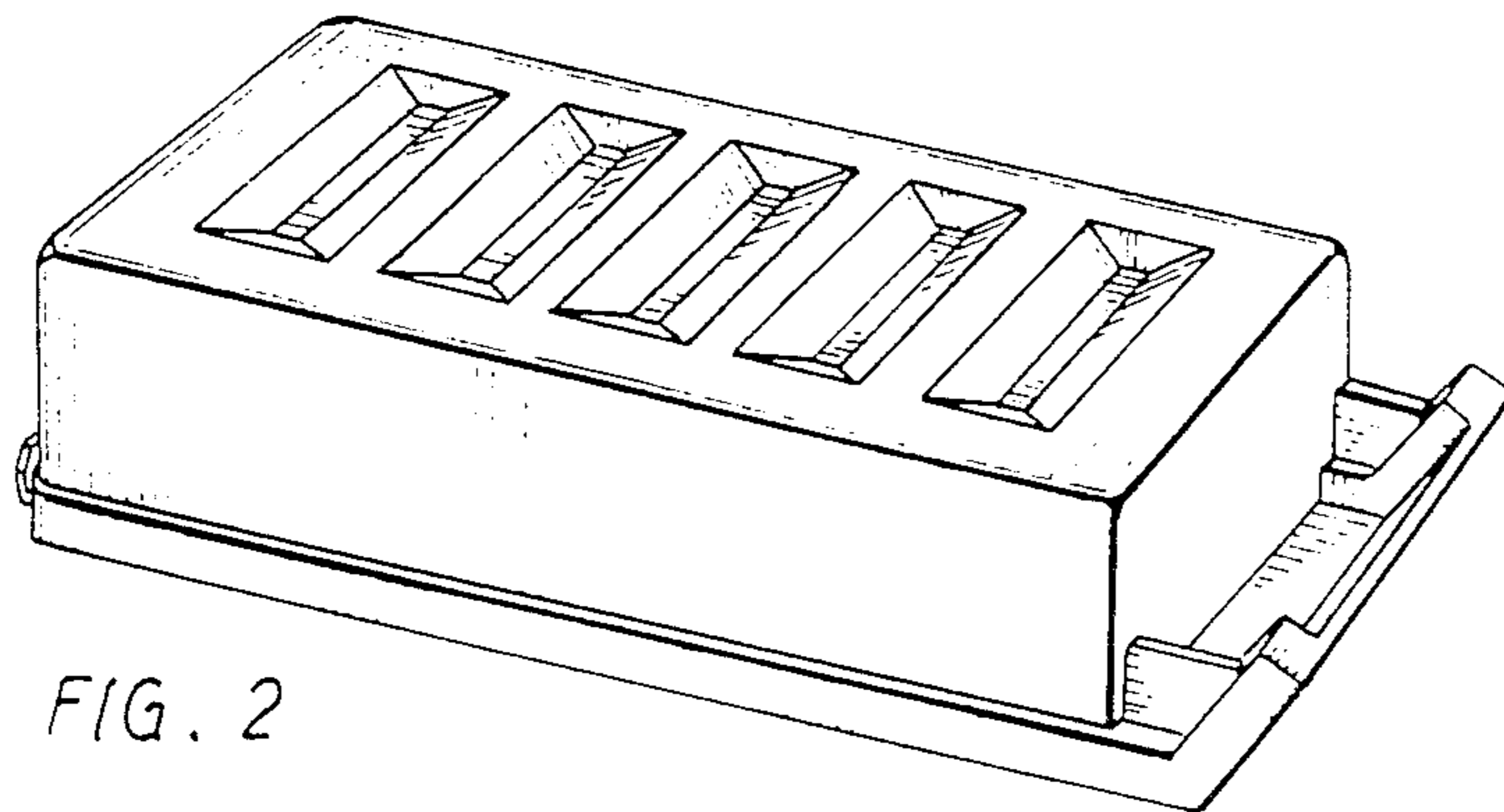


FIG. 2

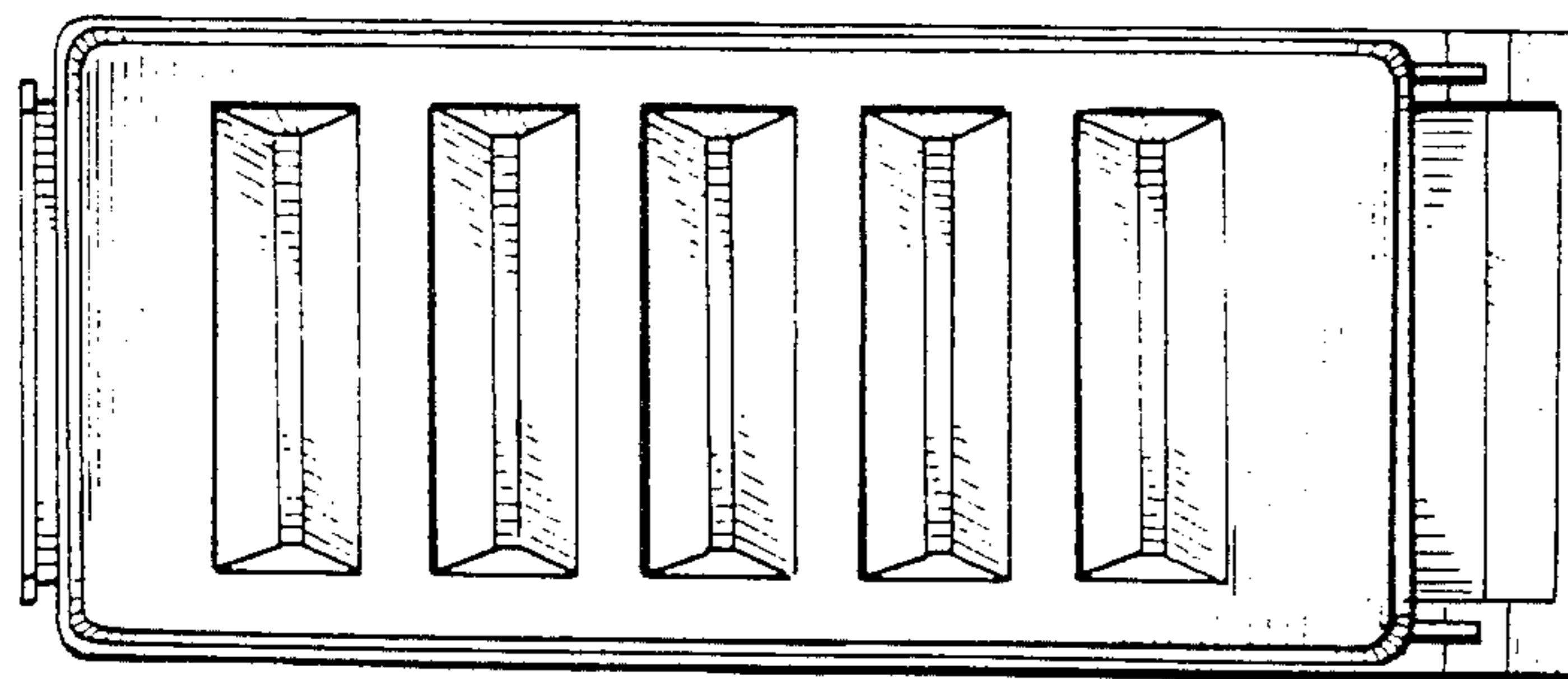


FIG. 3

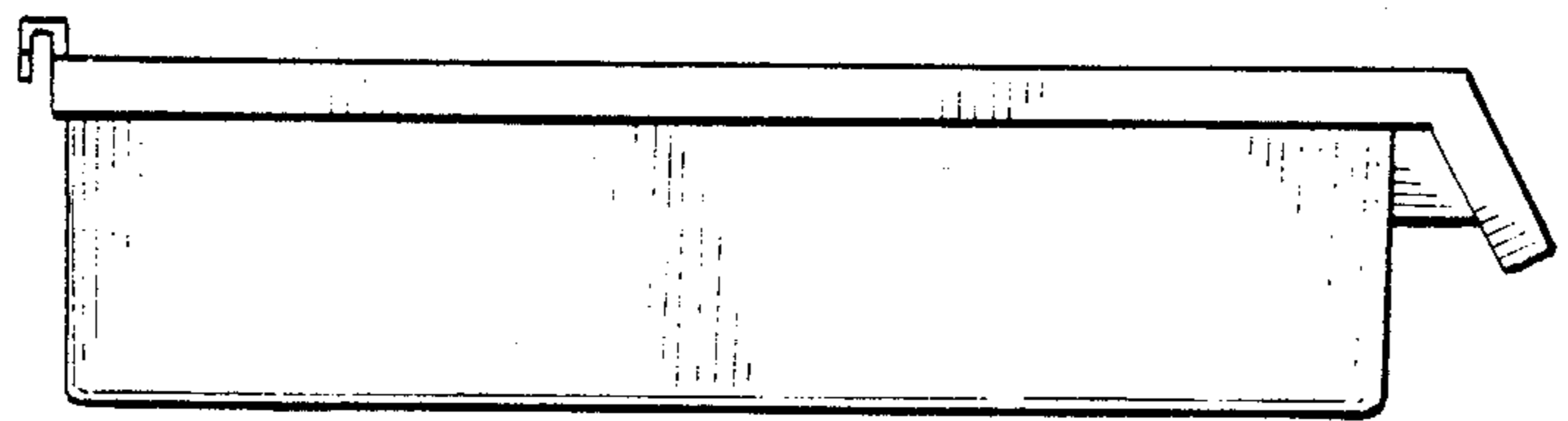
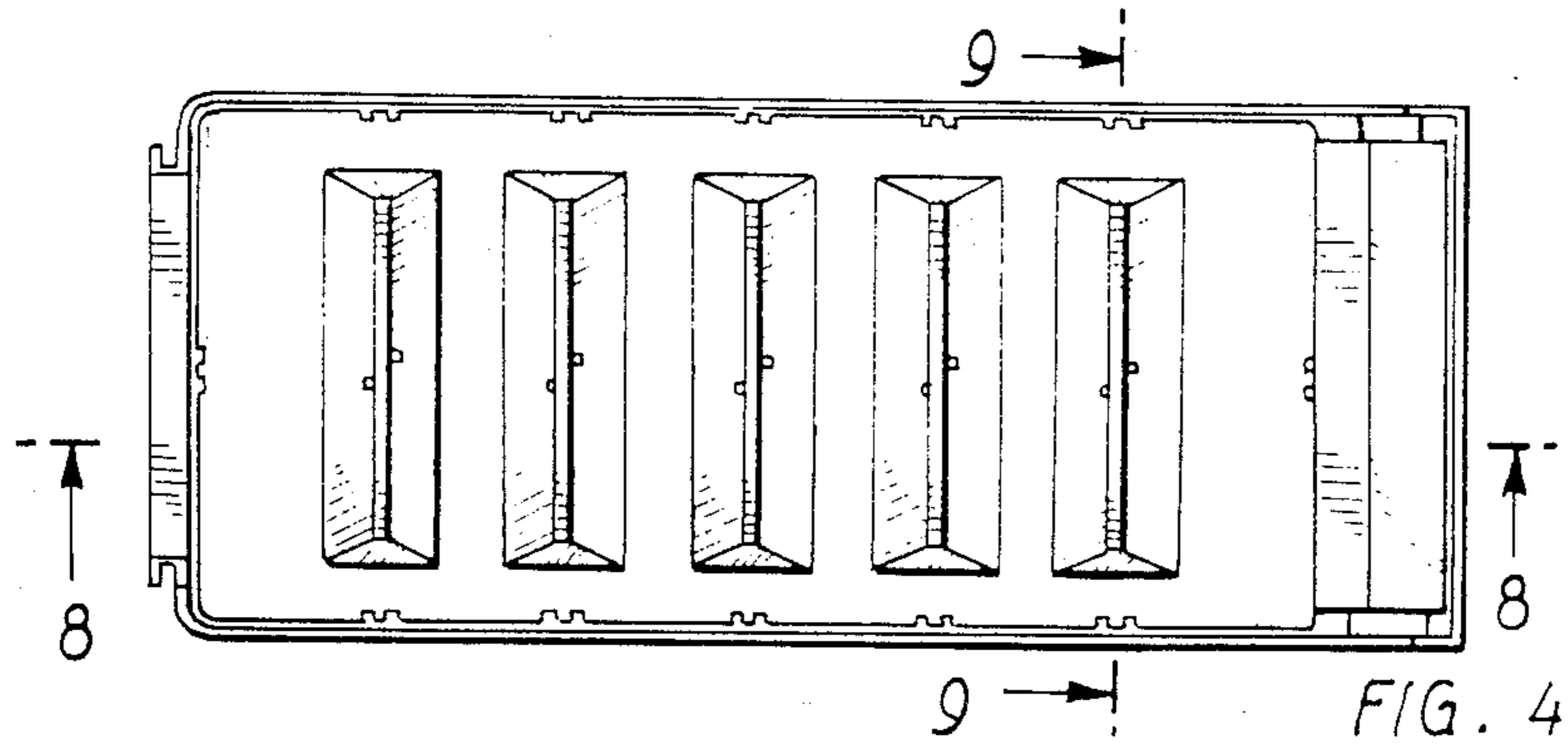


FIG. 5

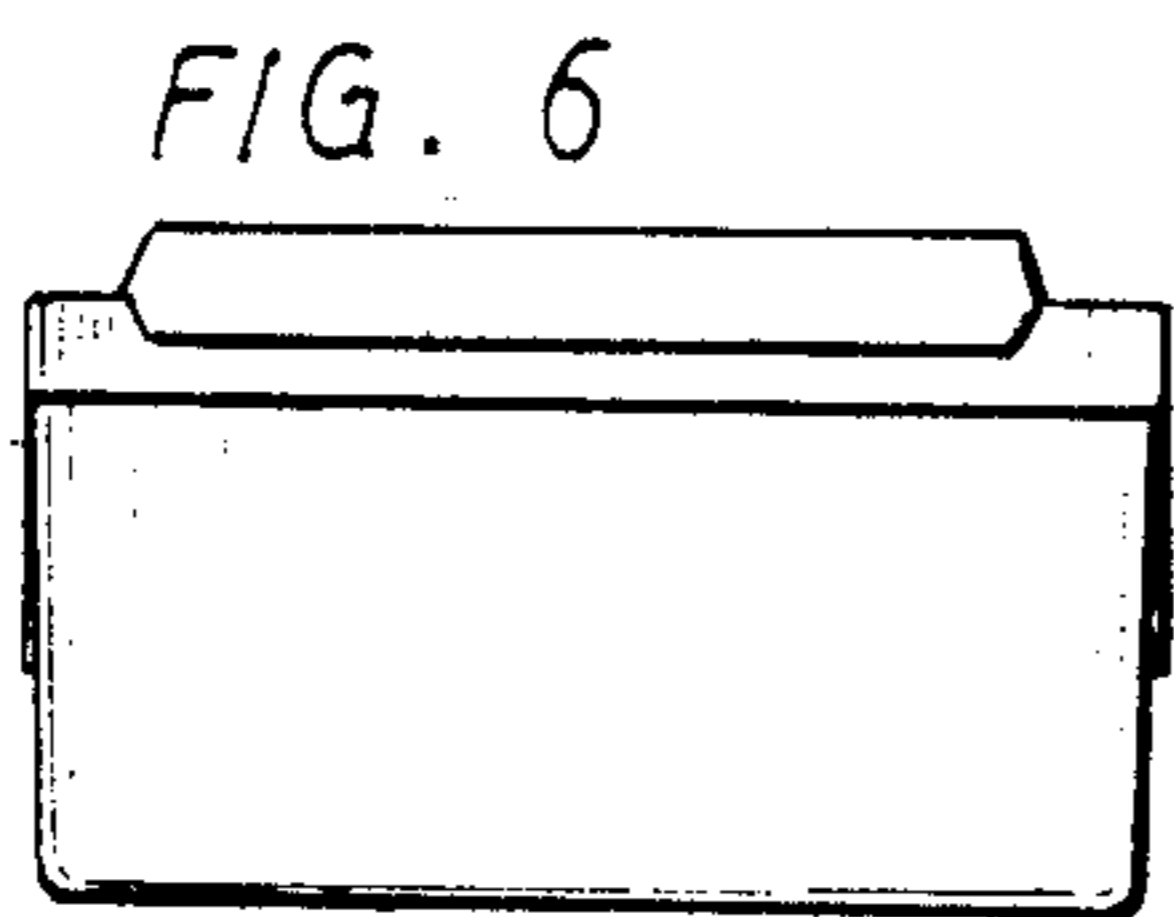


FIG. 6

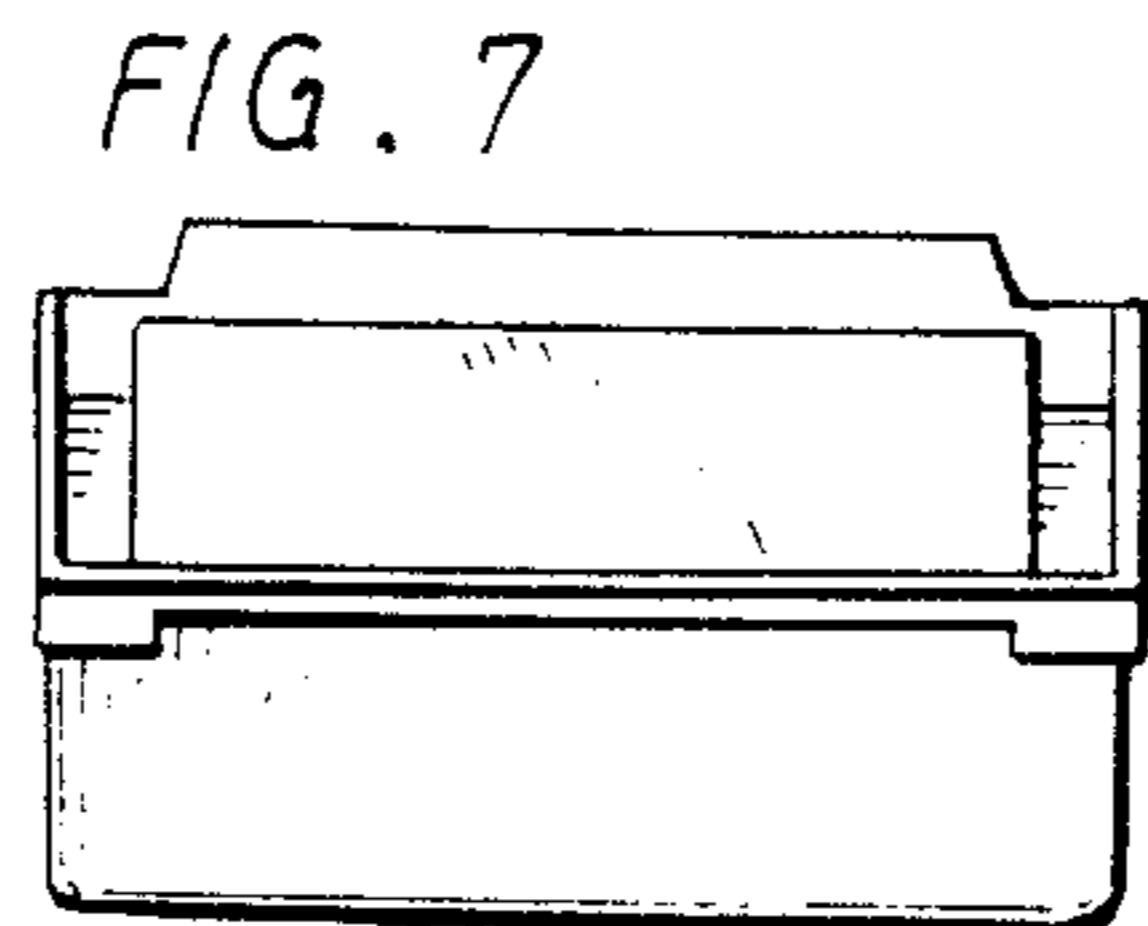


FIG. 7

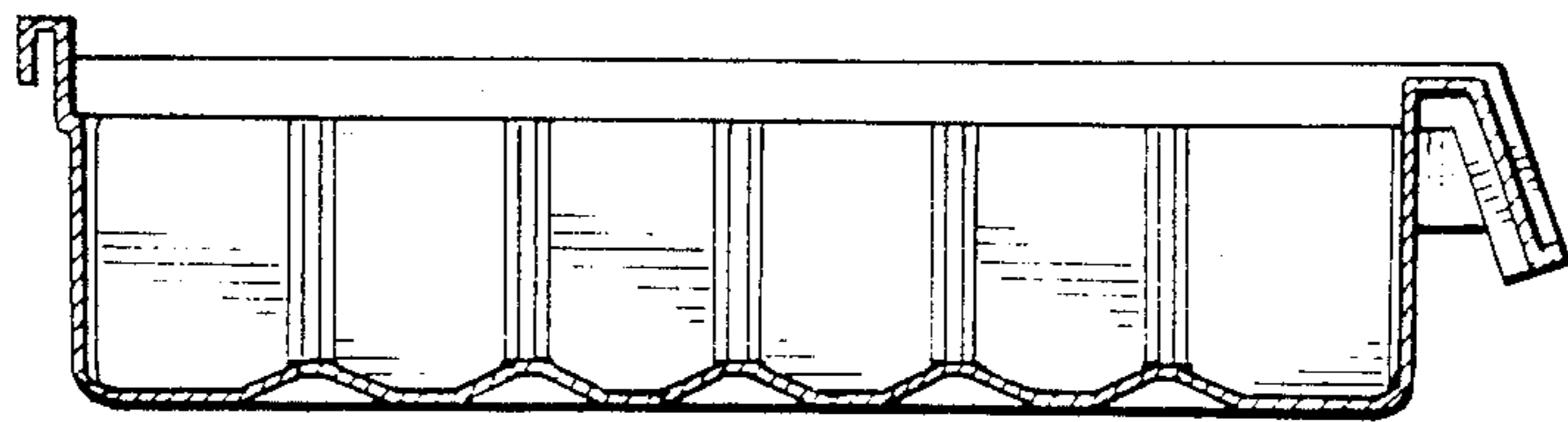


FIG. 8

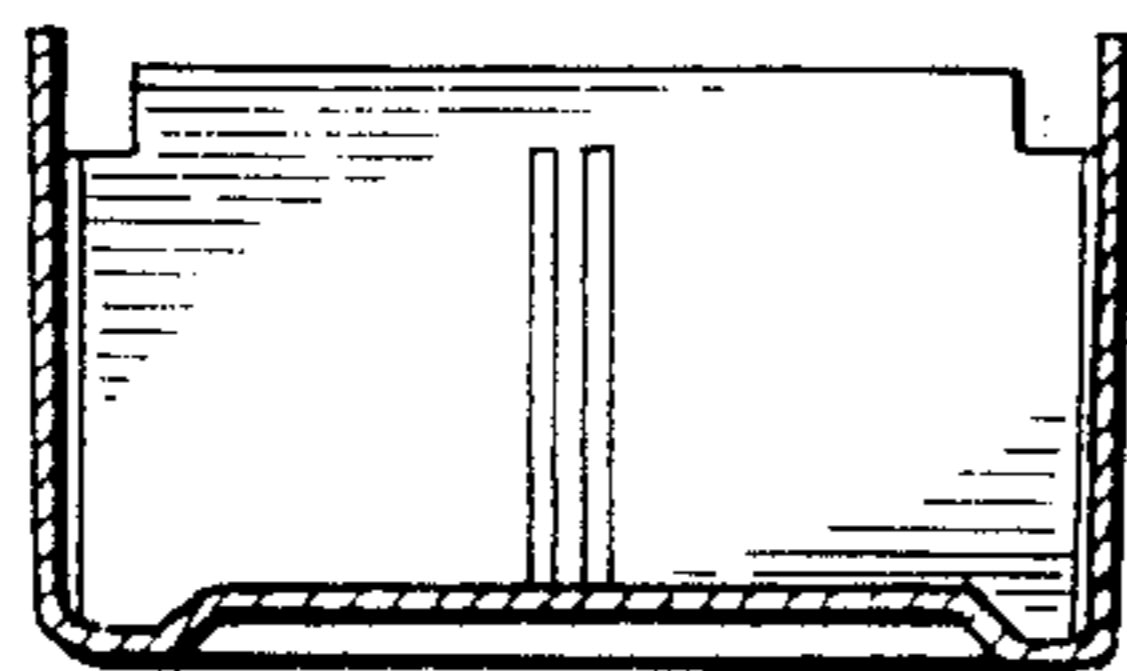


FIG. 9

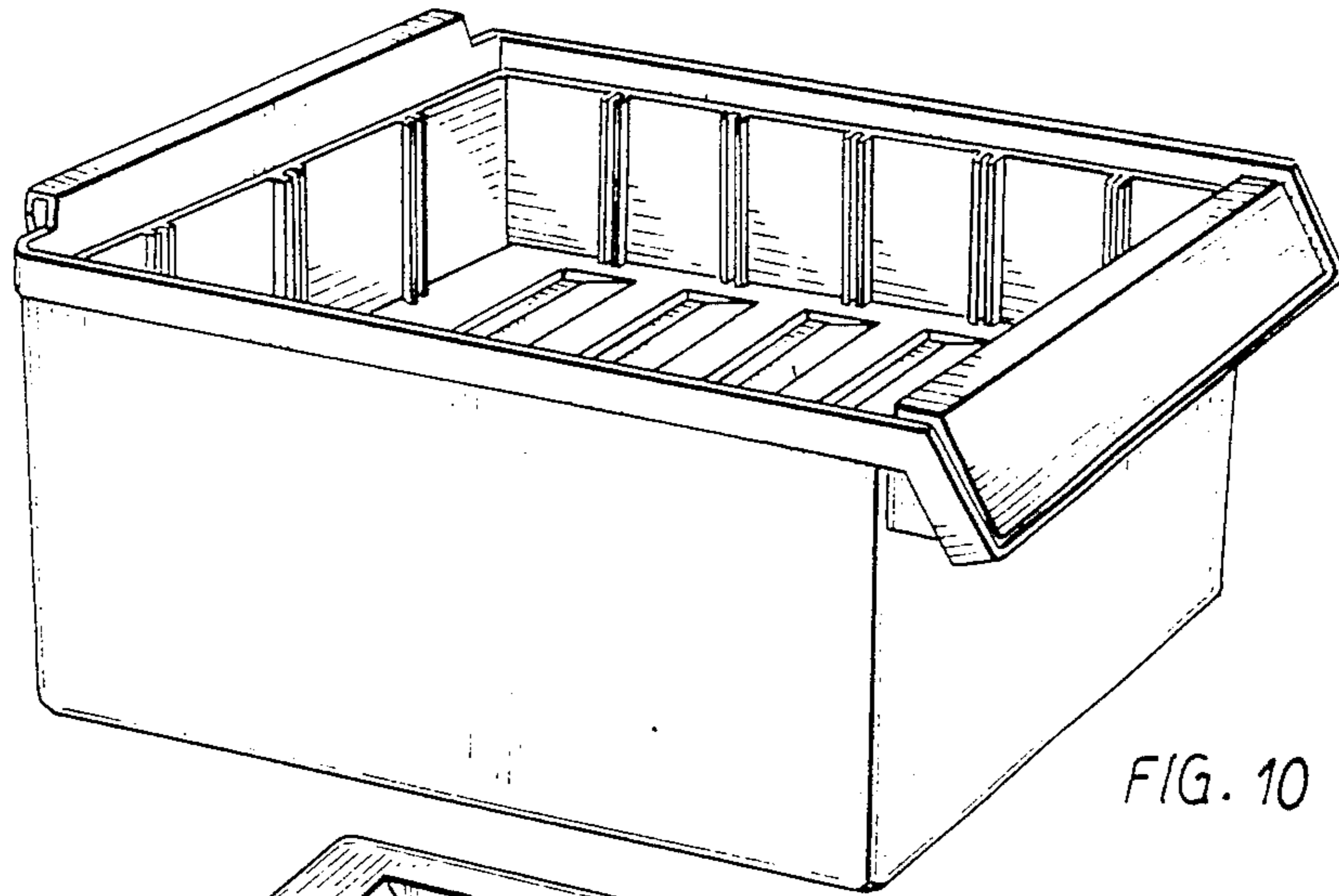


FIG. 10

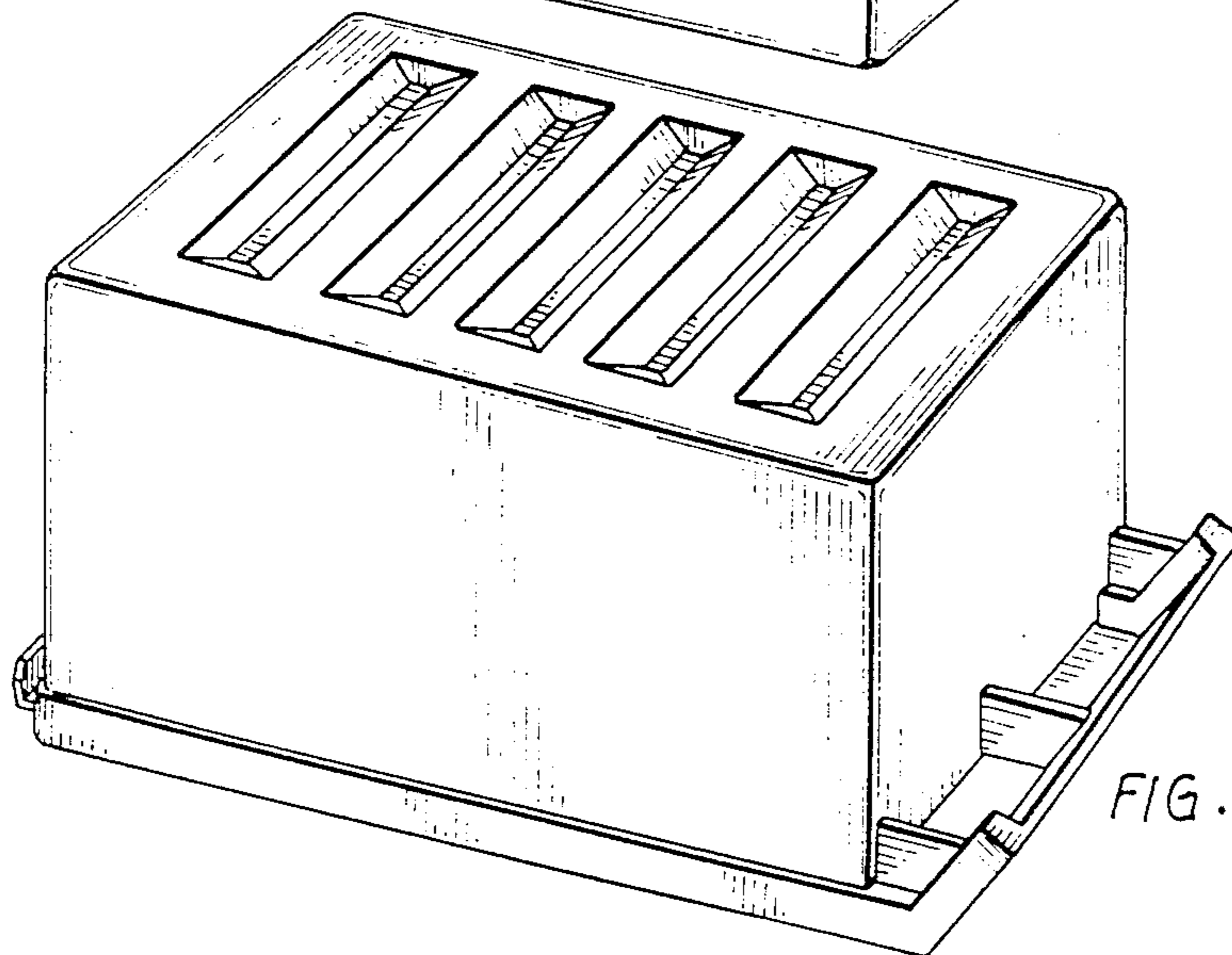


FIG. 11

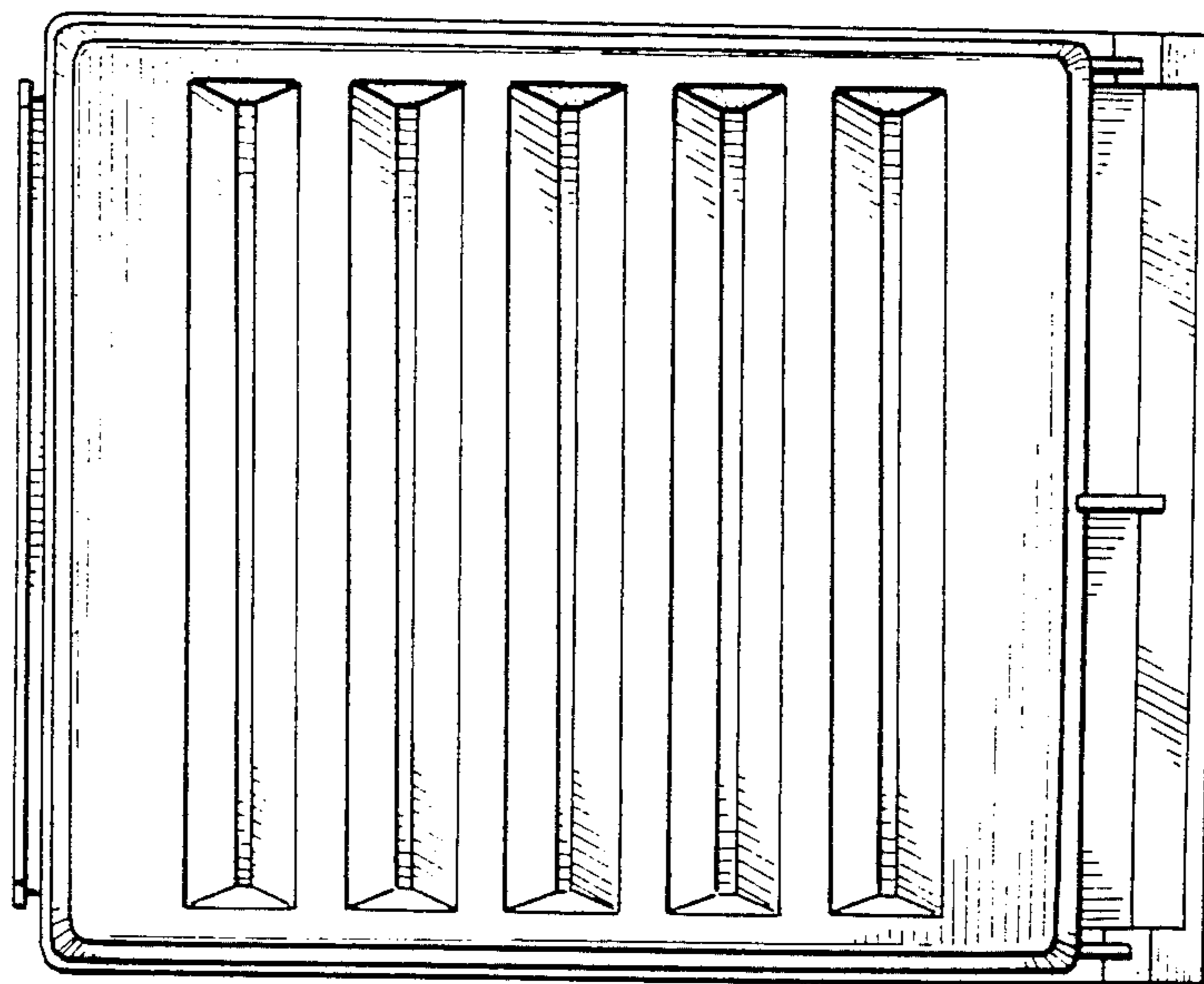


FIG. 12

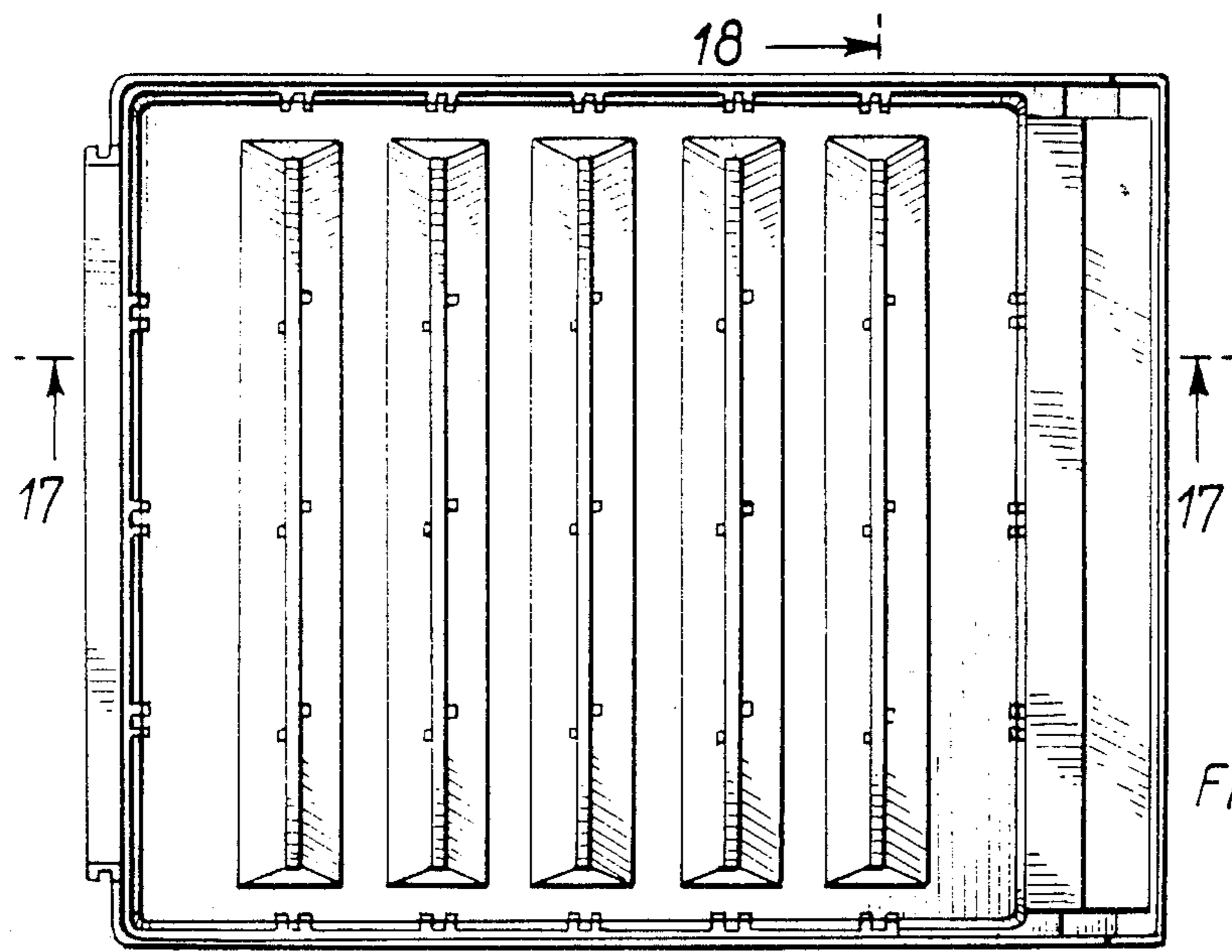


FIG. 13

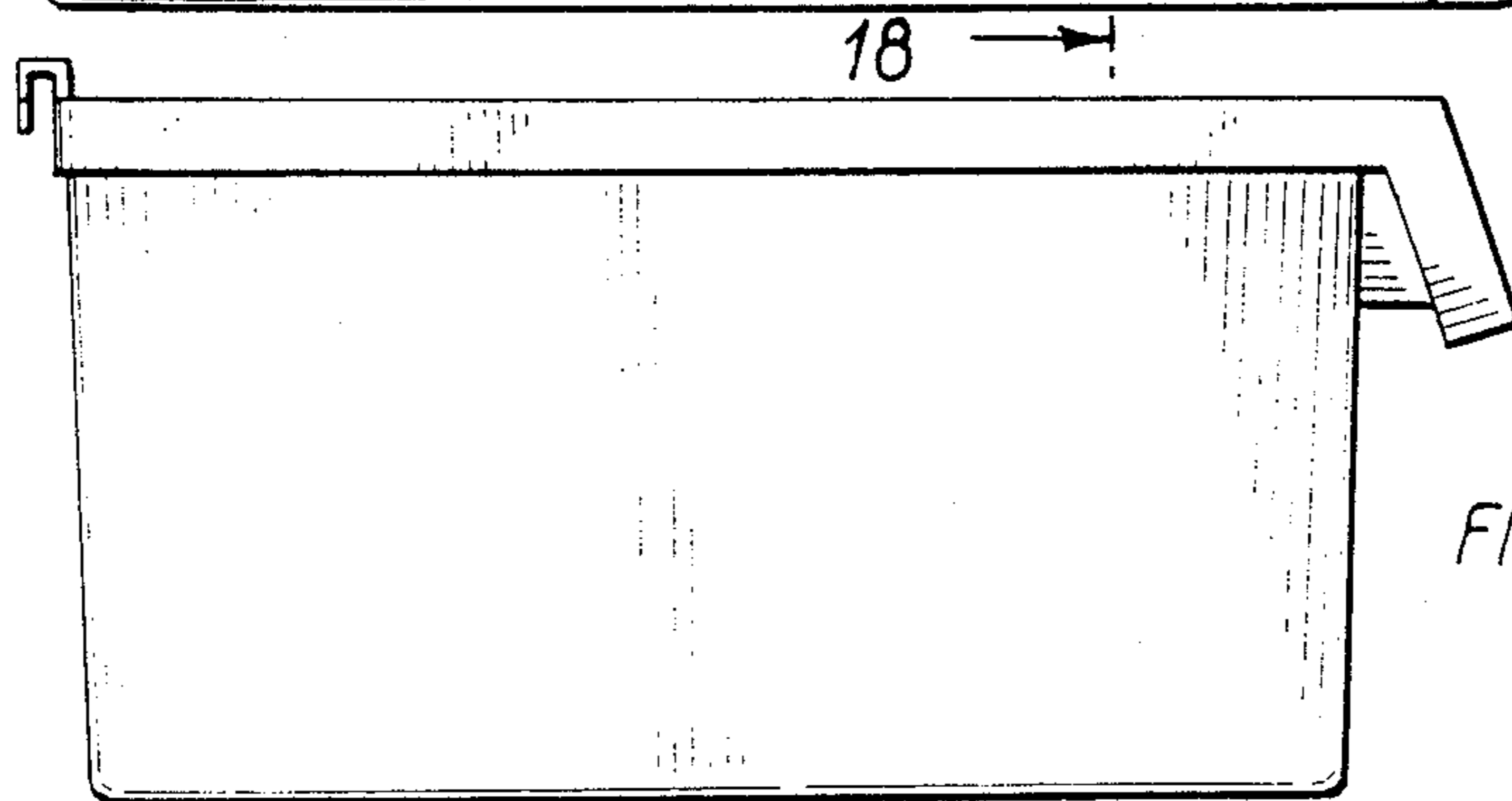


FIG. 14

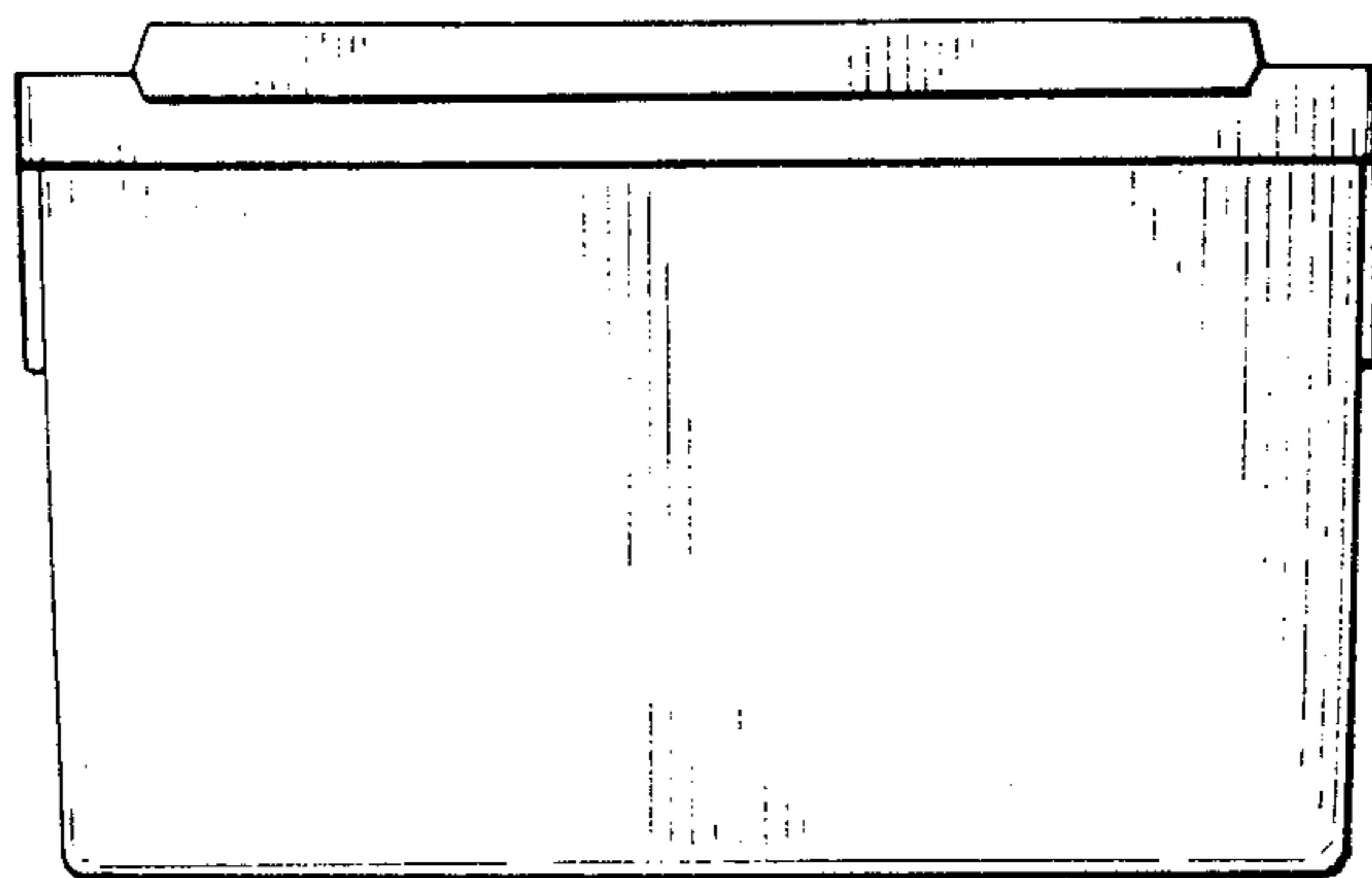


FIG. 15

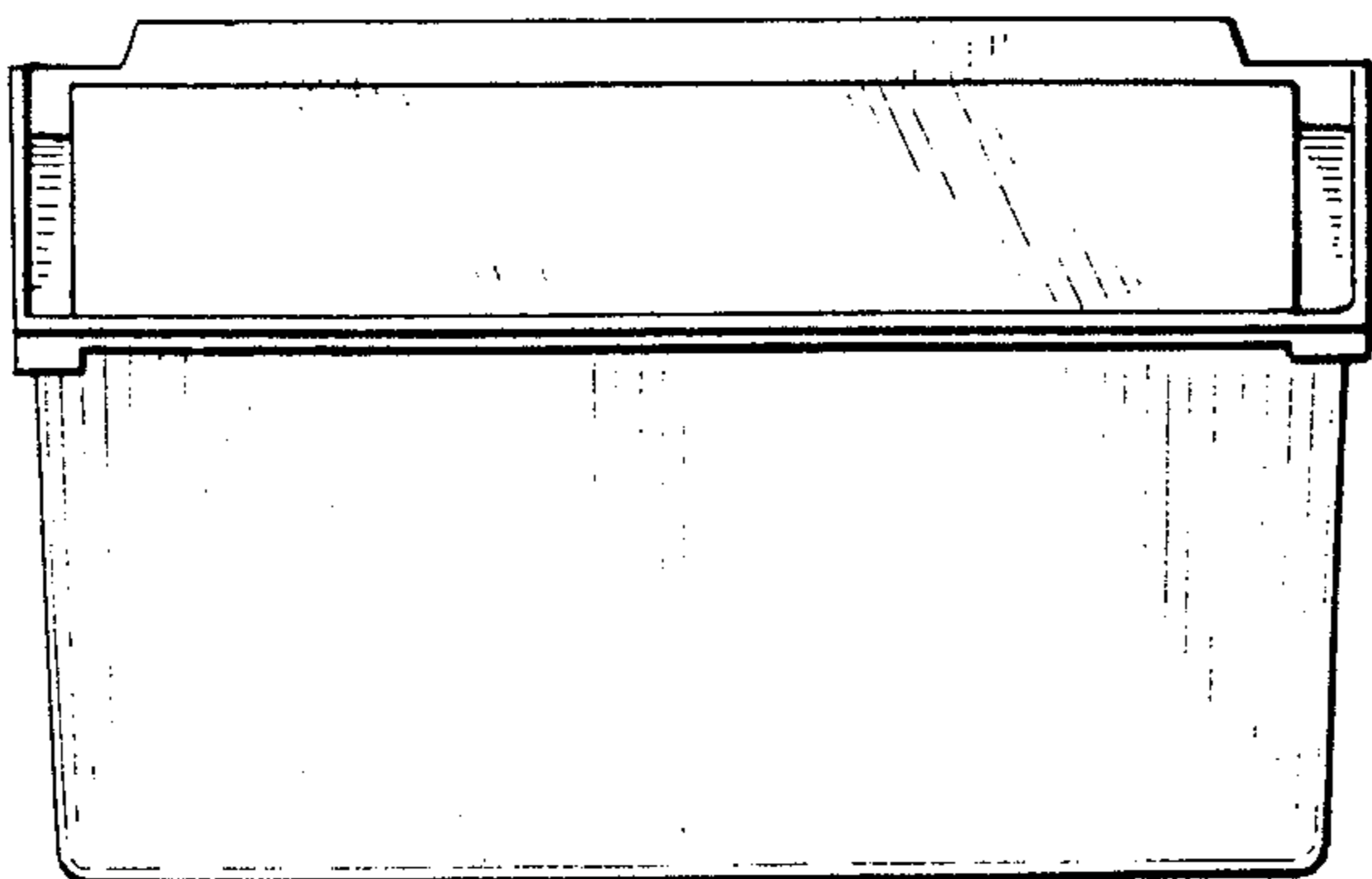


FIG. 16

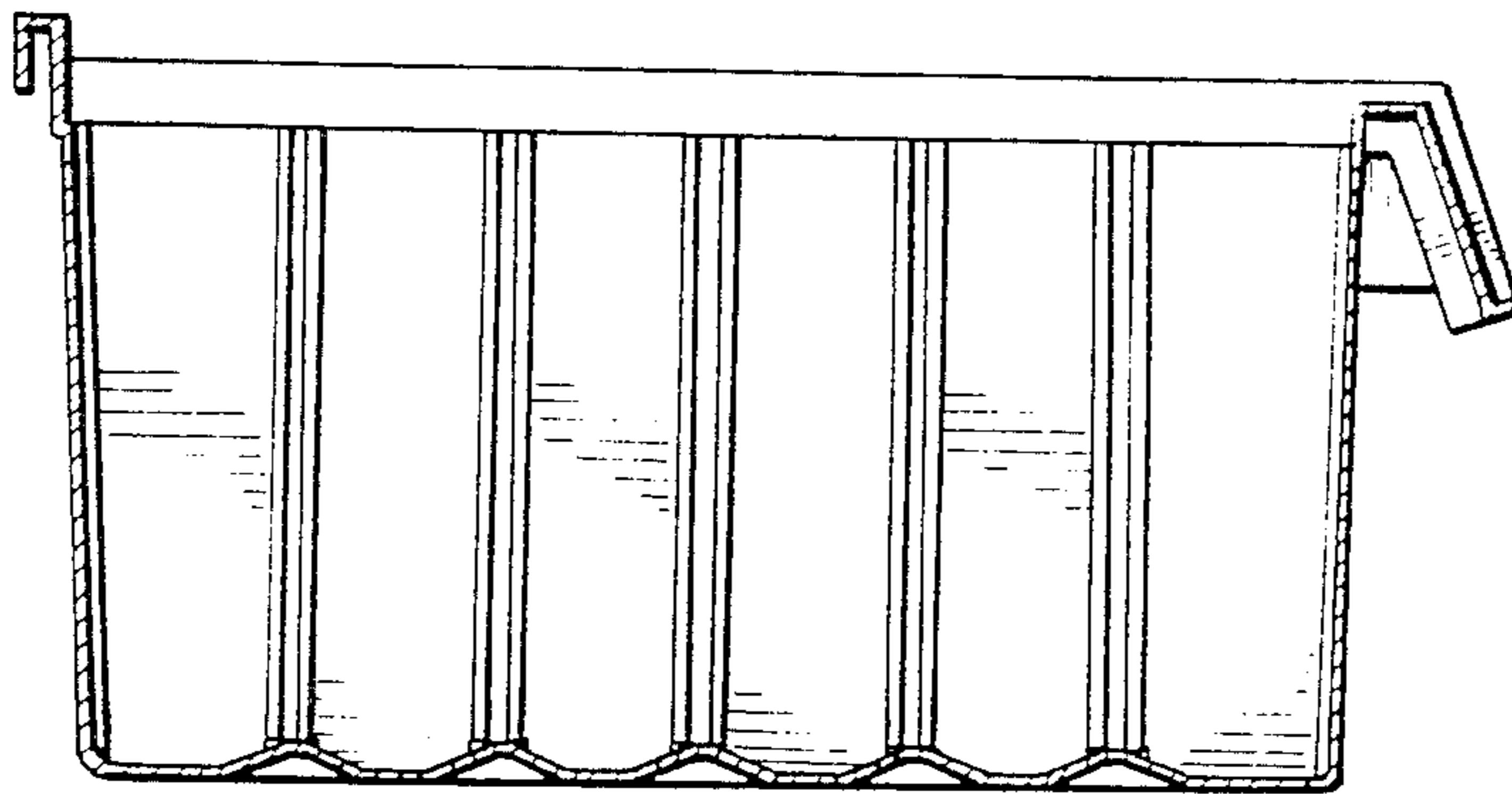


FIG. 17

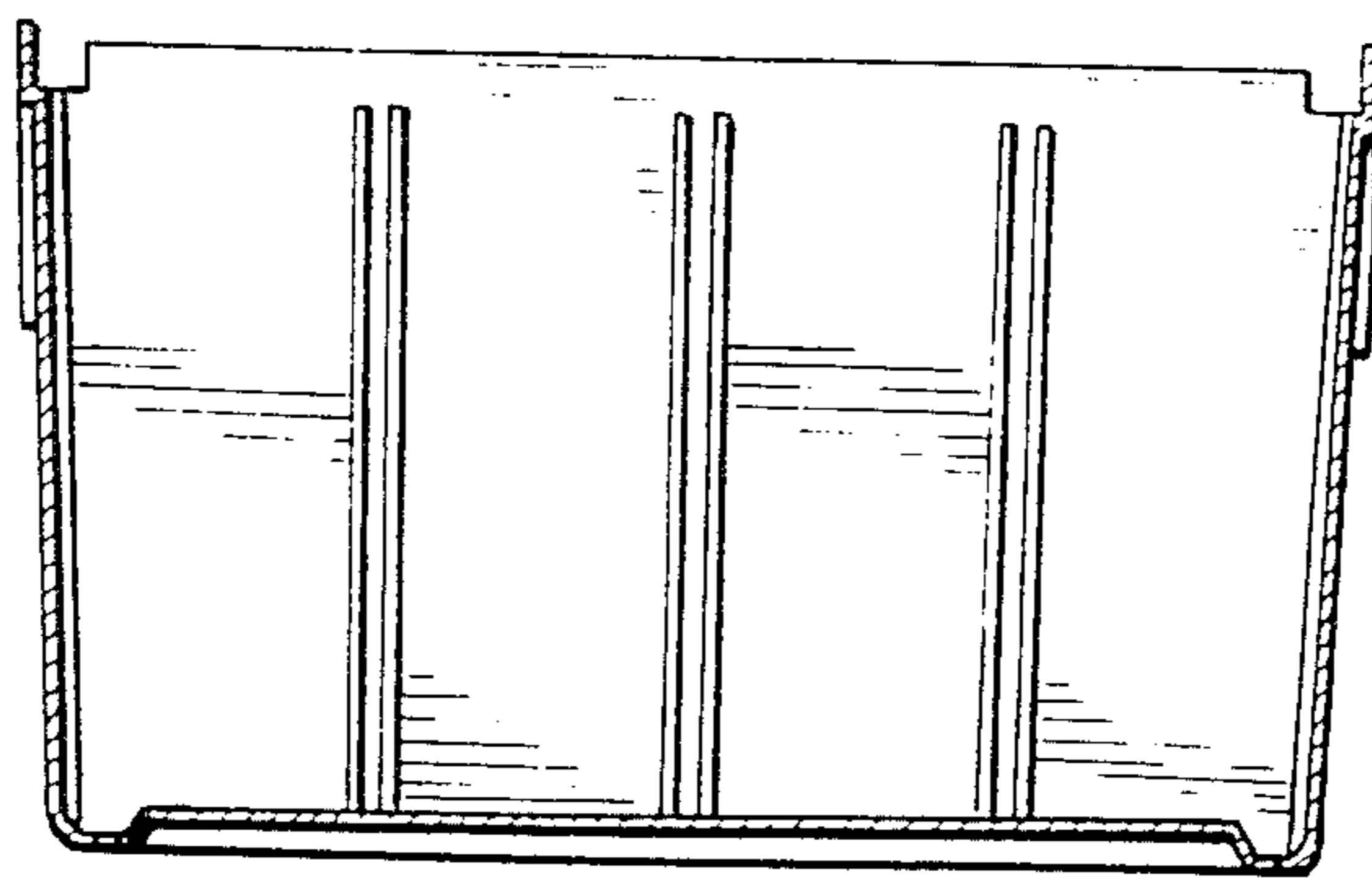


FIG. 18