

[54] ROLLER COATER PAINT TRAY

4,085,877 4/1978 Hildebrand D32/53.1 X

[75] Inventors: Philip J. Allison, Renforth; Morley L. Smith, Beaconsfield, both of Canada

Primary Examiner—Catherine E. Kemper
Attorney, Agent, or Firm—Fetherstonhaugh & Co.

[73] Assignee: T. S. Simms & Co. Limited, Saint John, Canada

[57] CLAIM

The ornamental design for a roller coater paint tray, as shown and described.

[**] Term: 14 Years

DESCRIPTION

[21] Appl. No.: 474,818

FIG. 1 is a top perspective view of a roller coater paint tray showing my new design.

[22] Filed: Mar. 10, 1983

FIG. 2 is a bottom perspective view taken from the opposite end of the roller coater paint tray of FIG. 1.

[30] Foreign Application Priority Data

Feb. 9, 1983 [CA] Canada 09-02-83-3

FIG. 3 is a top plan view thereof;

[52] U.S. Cl. D32/53.1

FIG. 4 is a sectional view taken along line 4—4 of FIG. 3;

[58] Field of Search D32/53.1; 15/257.05, 15/257.06

FIG. 5 is a sectional view taken along line 5—5 of FIG. 3;

[56] References Cited

U.S. PATENT DOCUMENTS

- D. 208,969 10/1967 Paxton D32/53.1
- D. 264,897 6/1982 Smith D32/53.1
- 2,922,176 1/1960 Bernhardt 15/257.06
- 3,157,902 11/1964 Hardwick 15/257.06
- 3,380,100 4/1968 Pharris et al. 15/257.06
- 4,010,866 3/1977 McClane 15/257.06 X

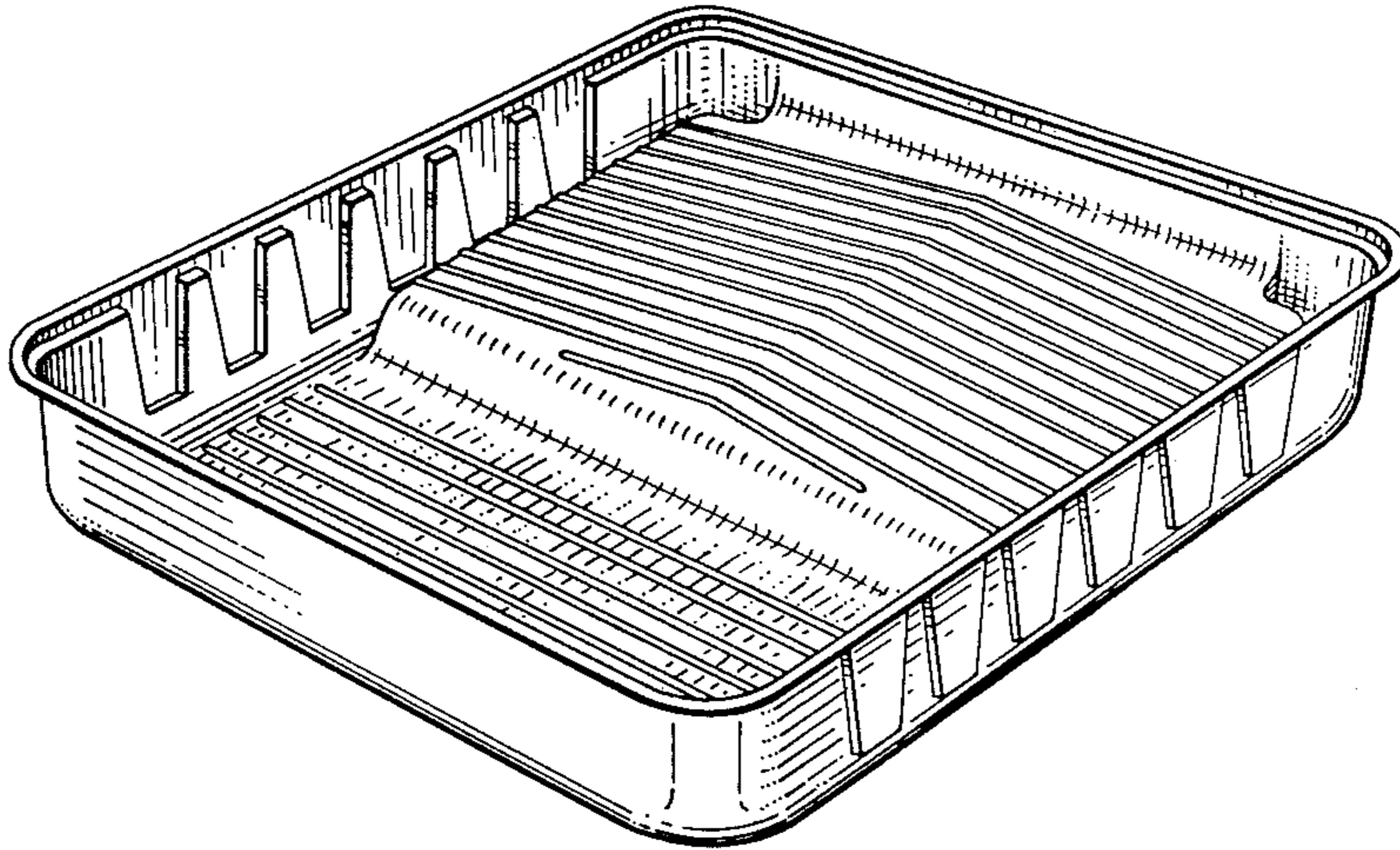
FIG. 6 is a perspective view of a second embodiment of a roller coater paint tray;

FIG. 7 is a bottom perspective view taken from the opposite end thereof;

FIG. 8 is a top plan view thereof.

FIG. 9 is a sectional view taken along the line 9—9 of FIG. 8.

FIG. 10 is a sectional view taken along the line 10—10 of FIG. 8.



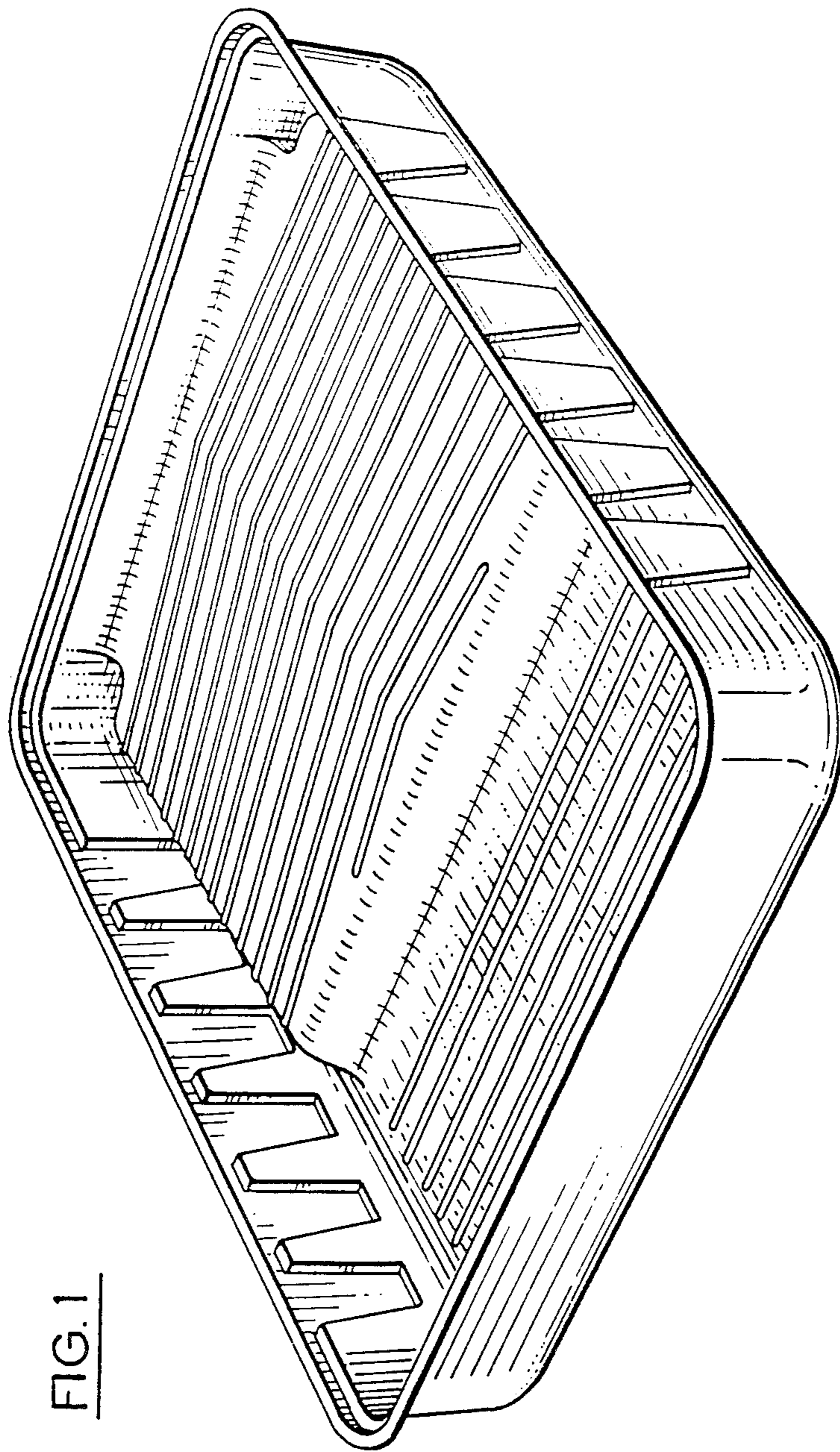


FIG. 1

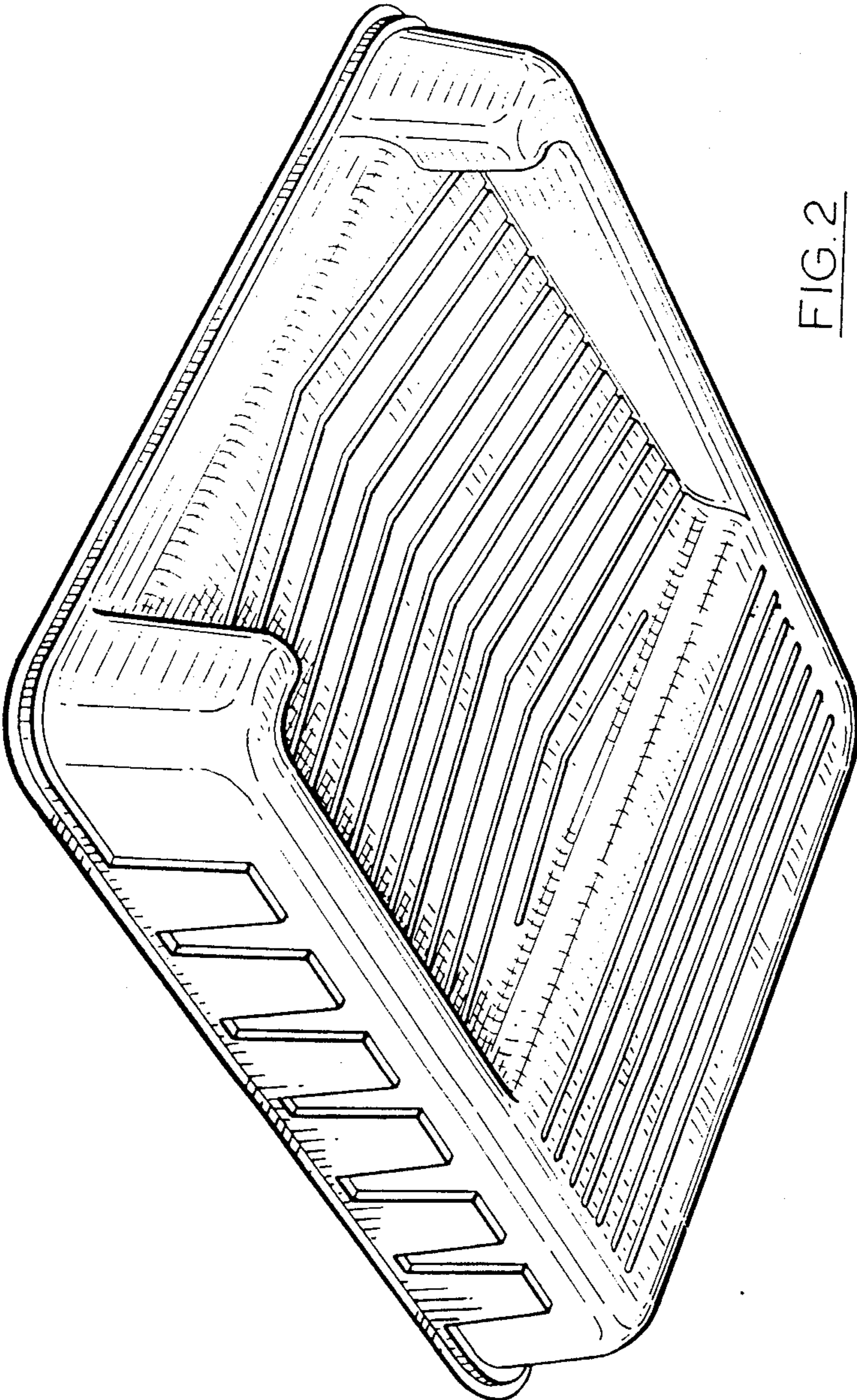
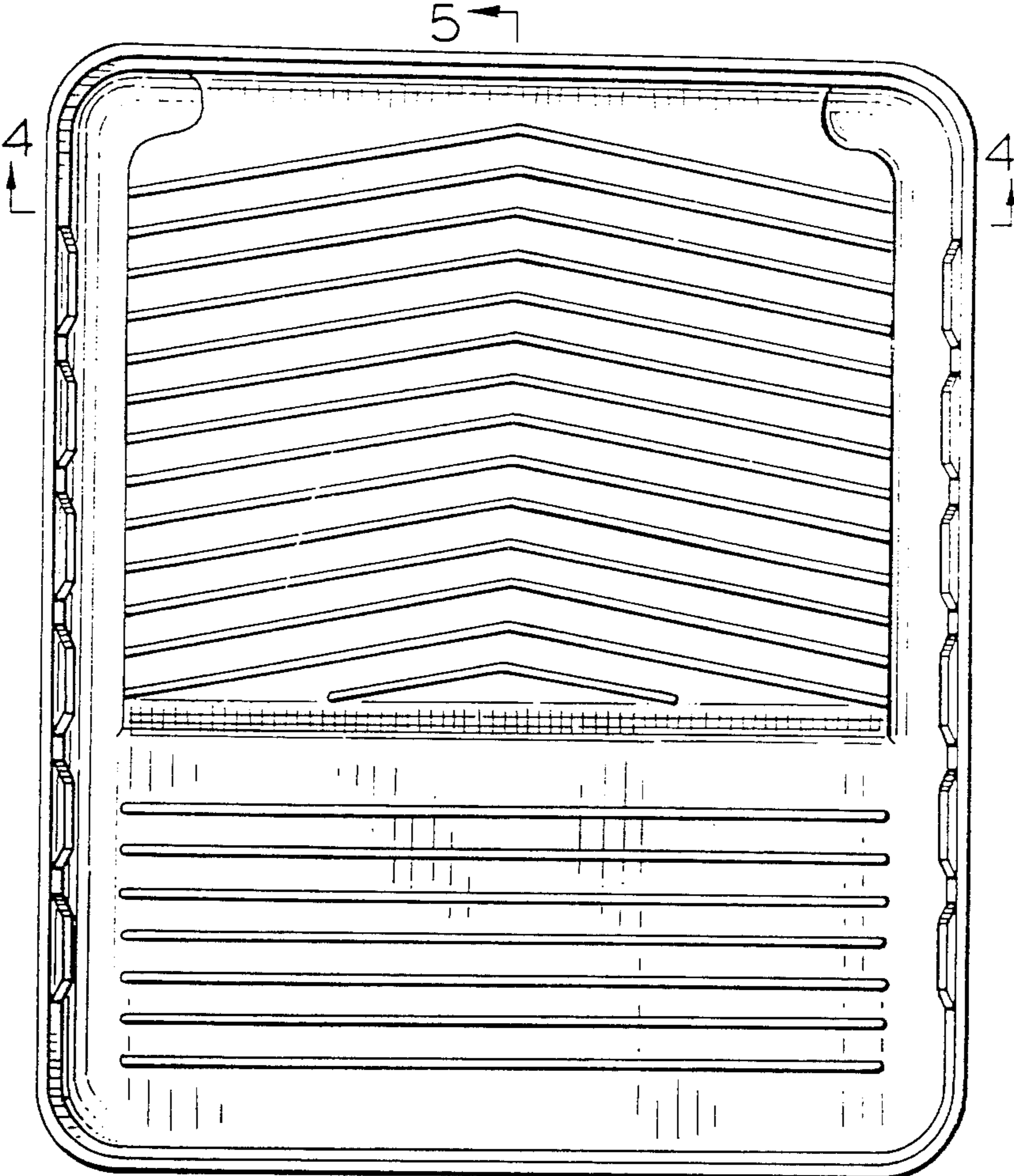


FIG. 2



5 ←

FIG. 3

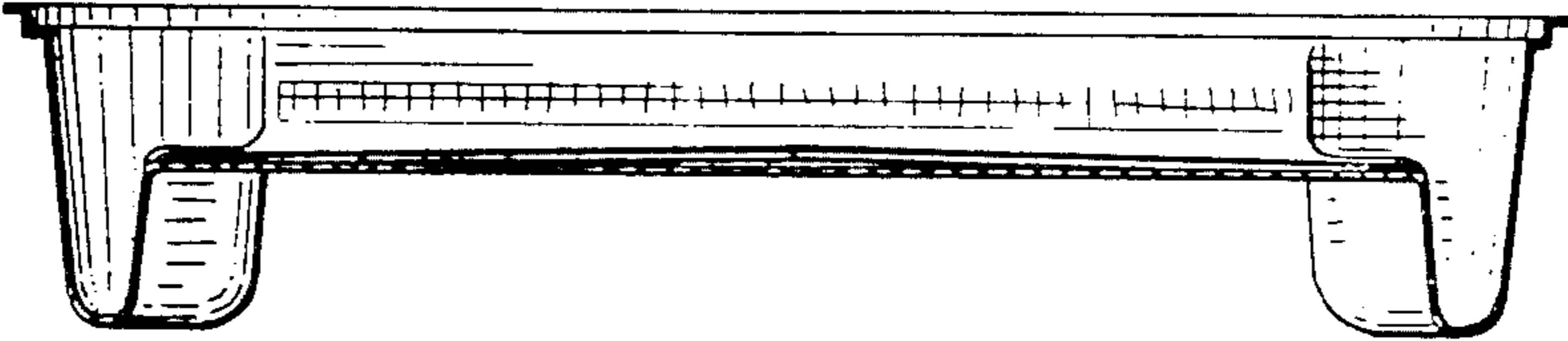


FIG. 4

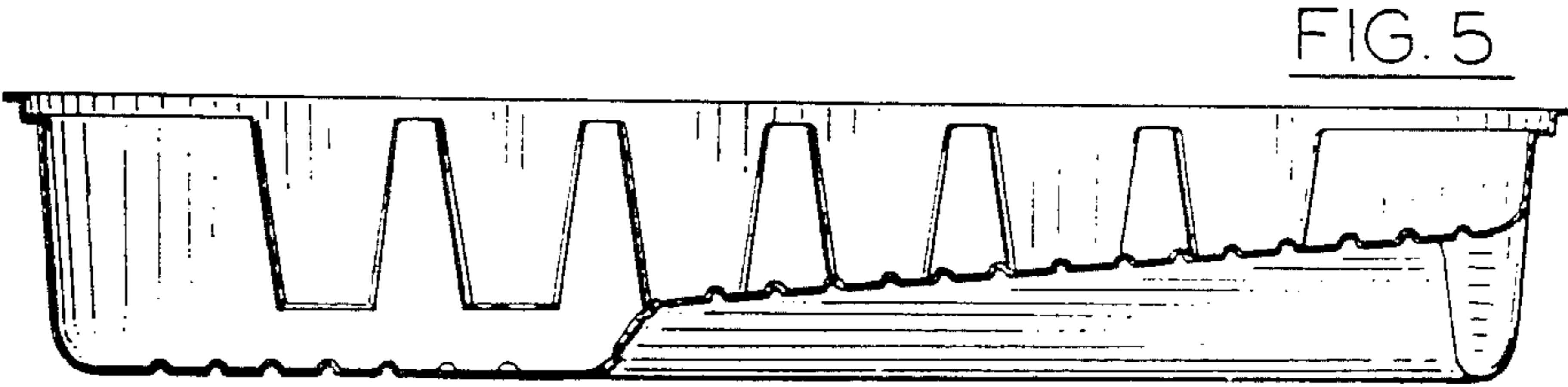


FIG. 5

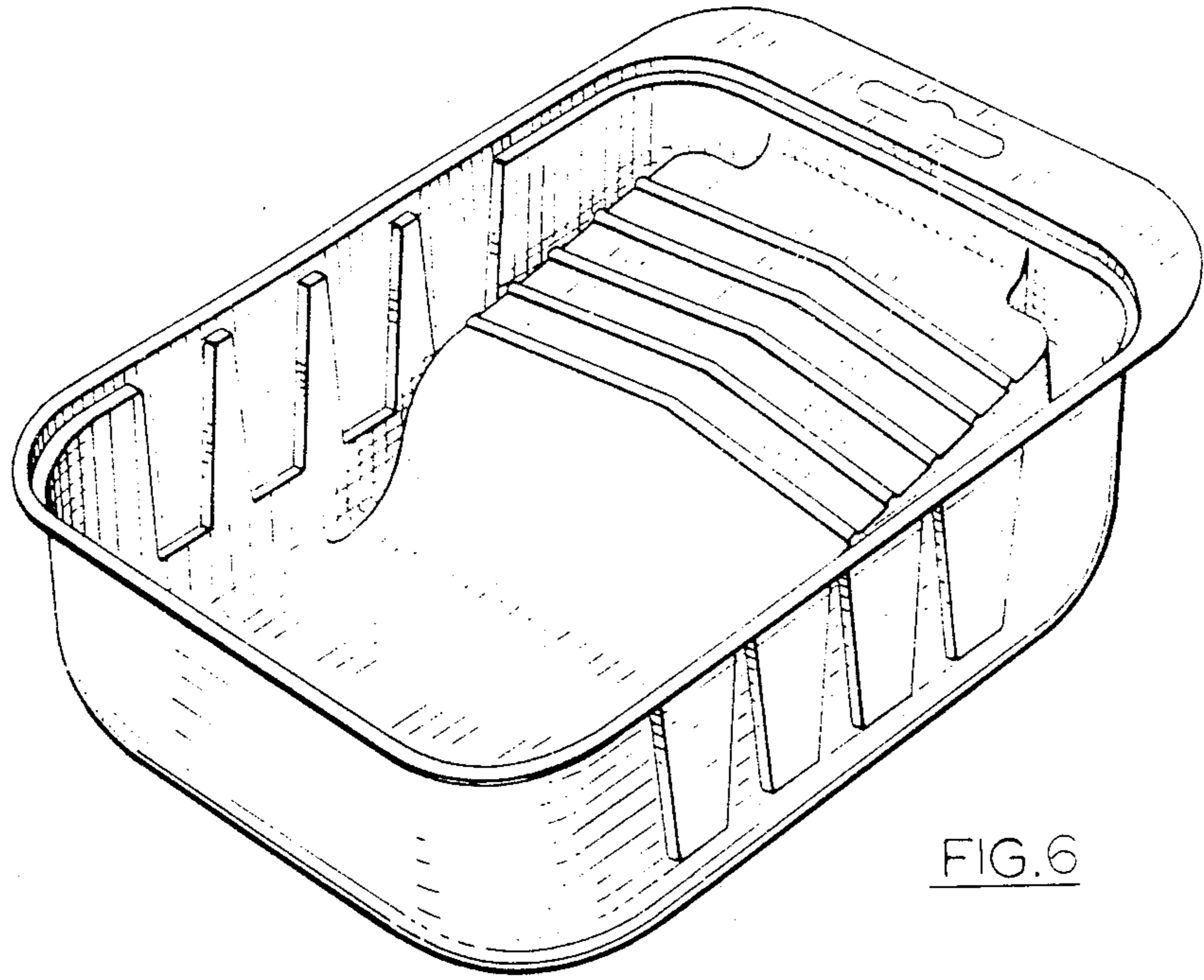


FIG. 6

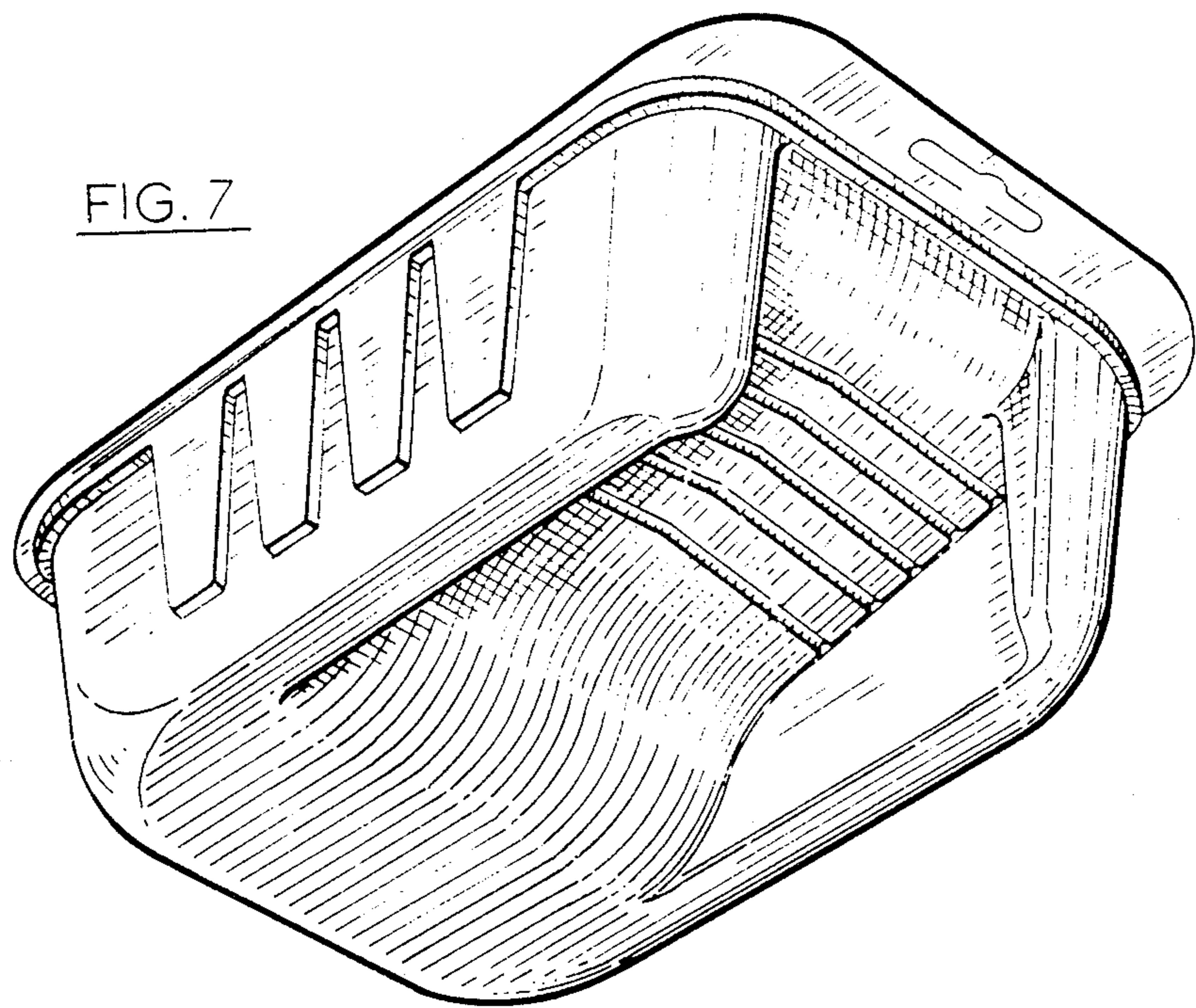


FIG. 7

FIG. 8

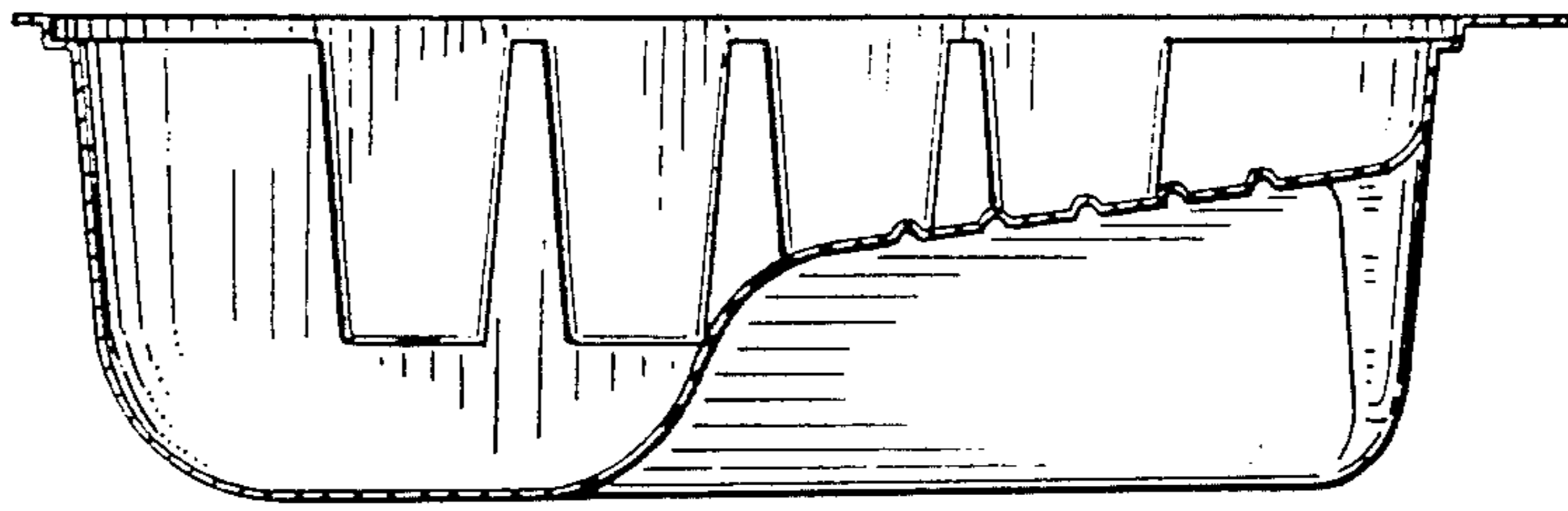
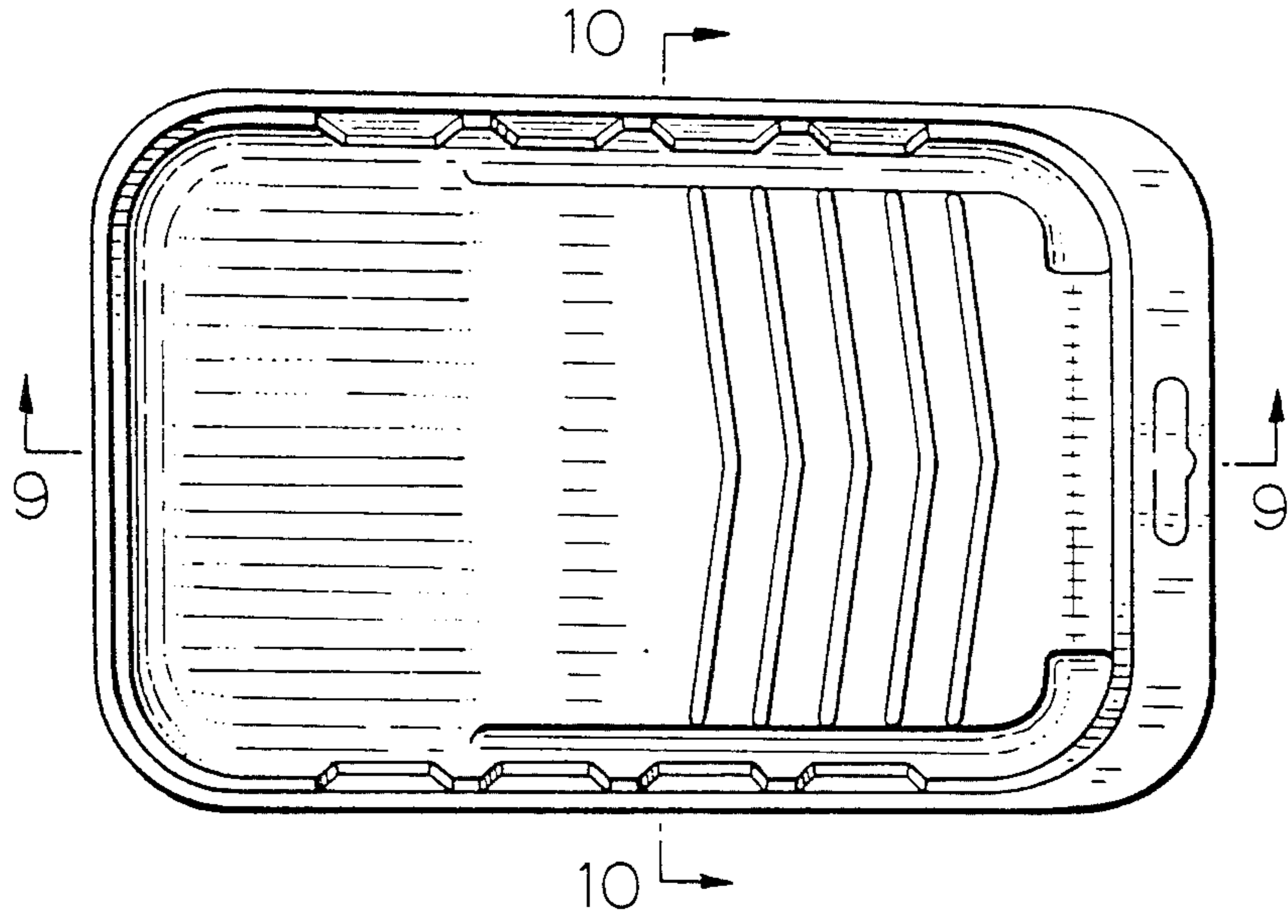


FIG. 9

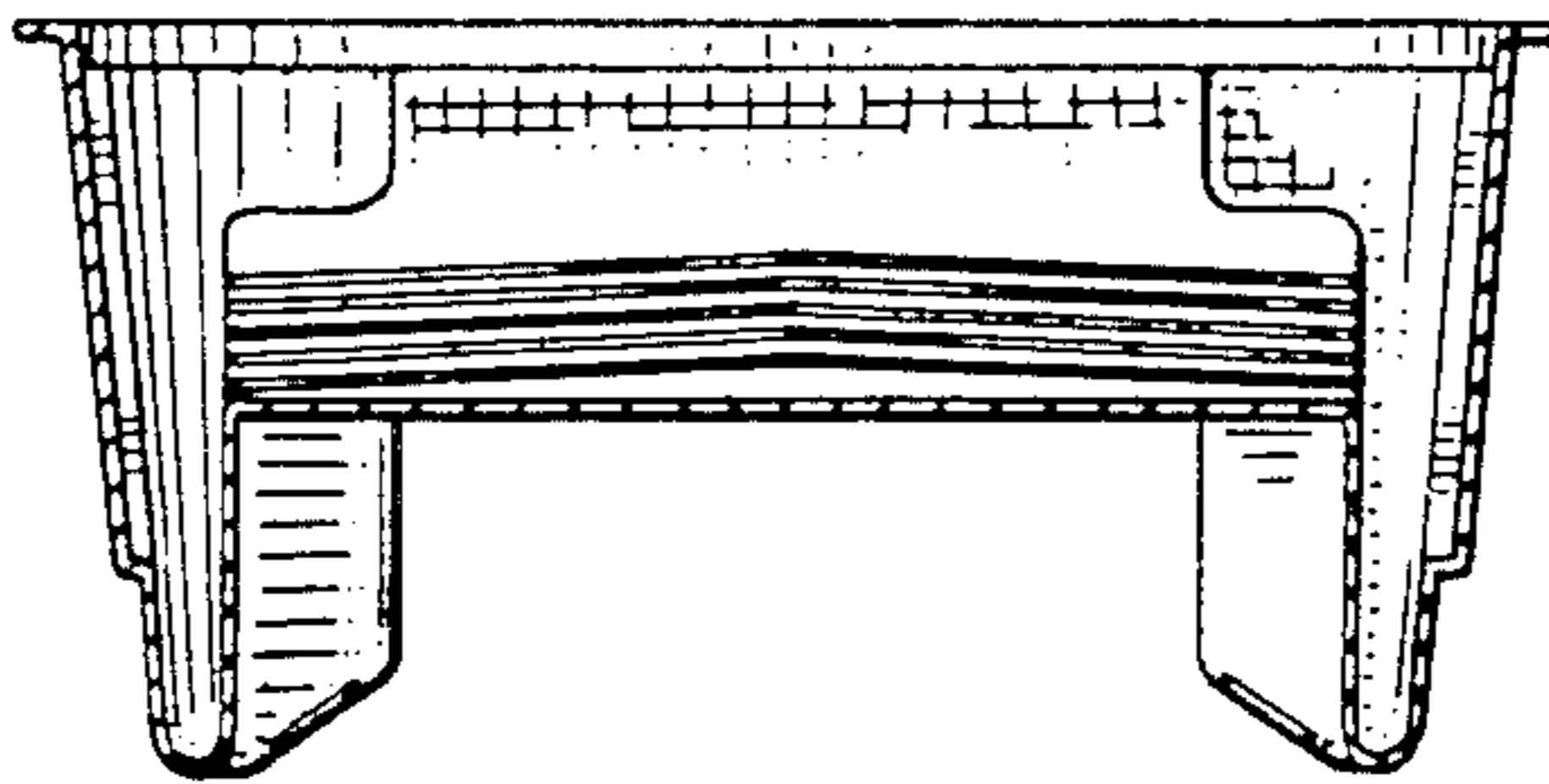


FIG. 10