

[54] ANIMAL CRATE

[76] Inventor: **Ronald E. Barati**, Clifford Estates,  
R.D. 1, Ligonier, Pa. 15658

[\*\*] Term: **14 Years**

[21] Appl. No.: **539,077**

[22] Filed: **Oct. 4, 1983**

[52] U.S. Cl. .... **D30/1**

[58] Field of Search ..... **D30/1-5;**  
119/16, 178, 19

2,678,628 5/1954 Williams ..... 119/19  
 3,195,506 7/1965 Bread ..... 119/19  
 3,234,908 2/1966 Doskocil ..... 119/19  
 3,731,657 5/1973 Alessio ..... 119/19 X  
 3,791,347 2/1974 Lovell ..... 119/19  
 4,256,056 3/1981 Sou ..... 119/19

*Primary Examiner*—James R. Largen  
*Attorney, Agent, or Firm*—William, Brinks, Olds, Hofer,  
 Gilson & Lione

[56] **References Cited**

**U.S. PATENT DOCUMENTS**

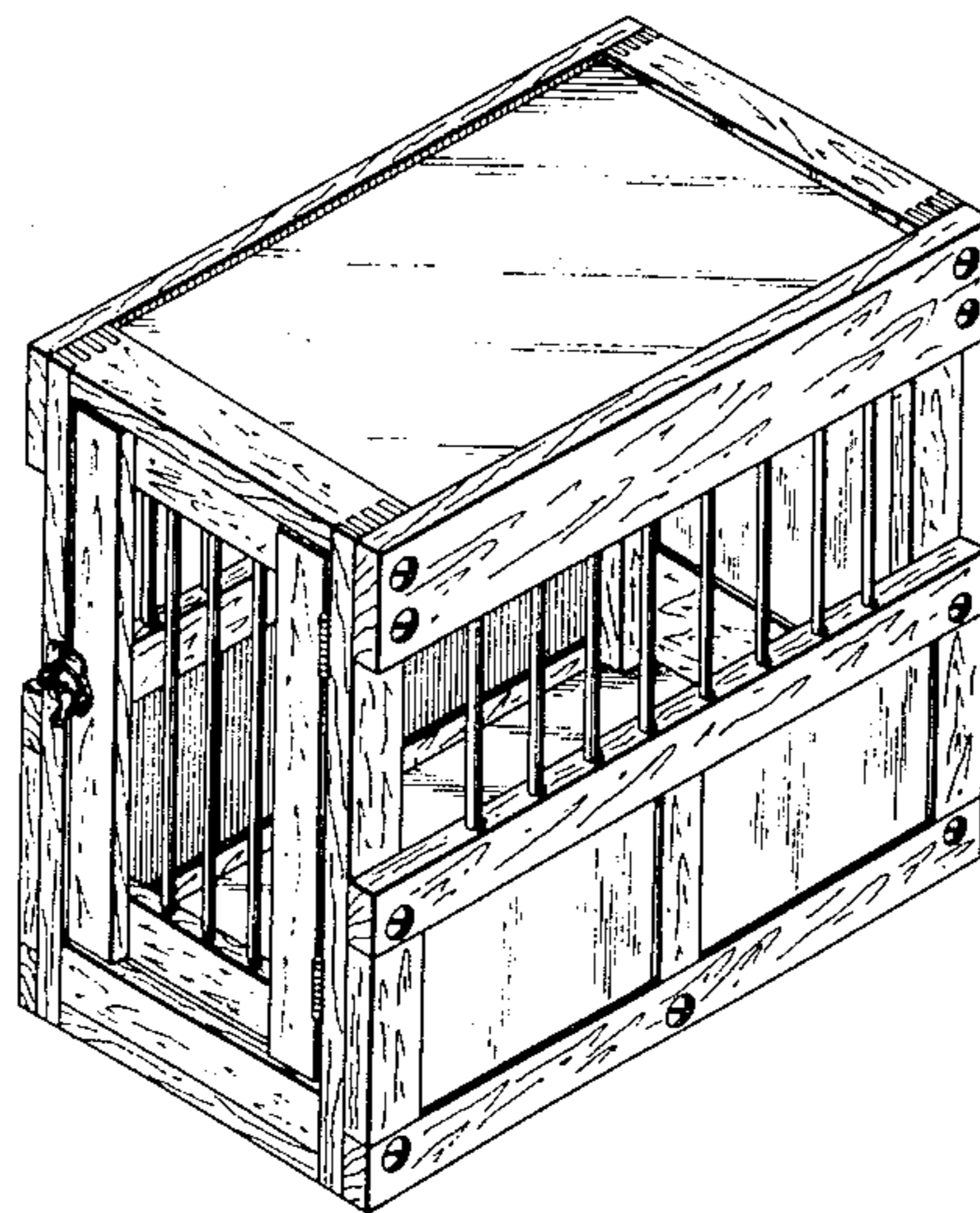
D. 168,650 1/1953 McKee ..... D30/1  
 D. 193,769 10/1962 Kerr ..... D30/1  
 D. 214,566 7/1969 Swinney ..... D30/1  
 D. 218,443 8/1970 Taylor ..... D30/1  
 D. 220,961 6/1971 Ringelman et al. .... D30/1

[57] **CLAIM**

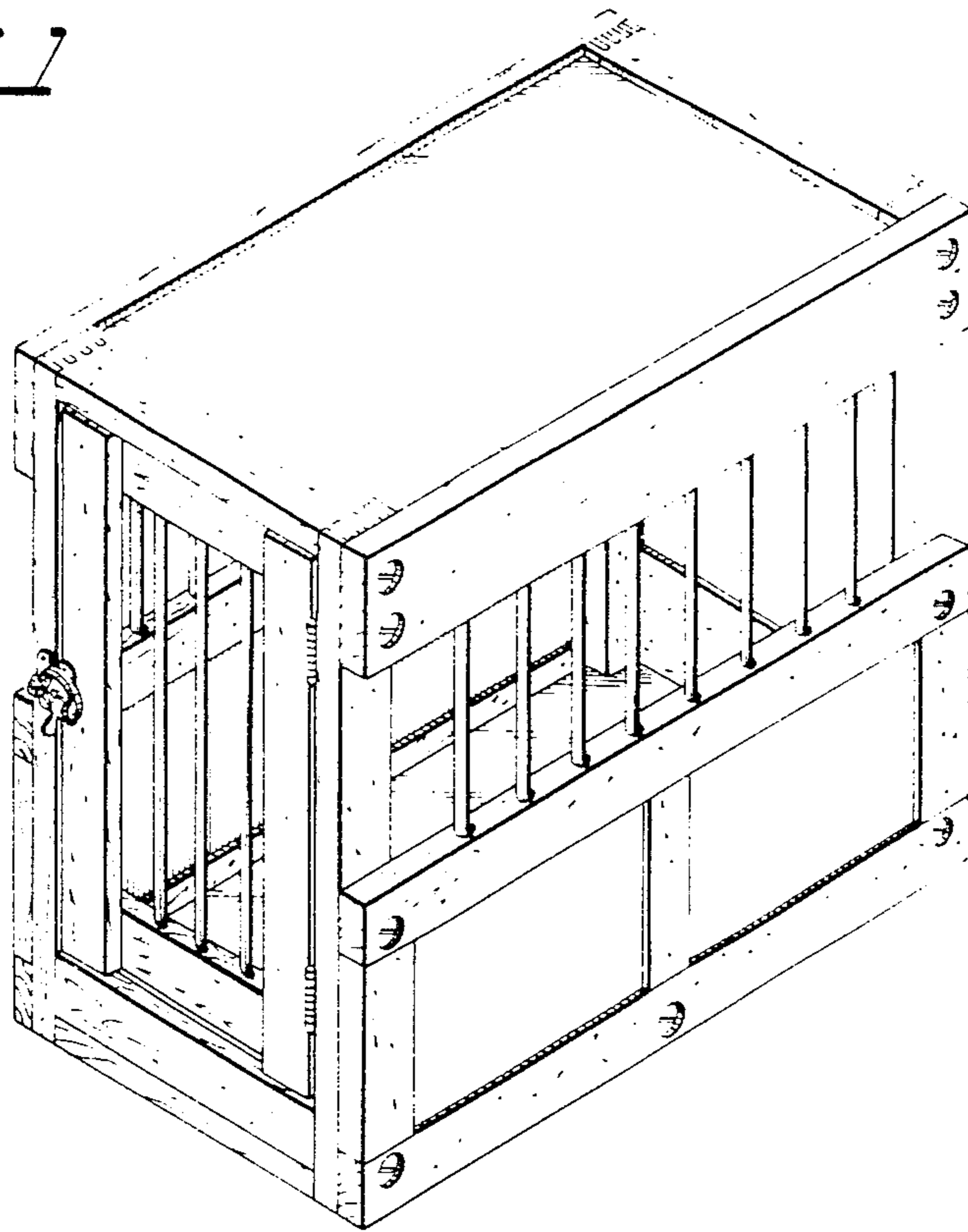
The ornamental design for an animal crate, as shown as described.

**DESCRIPTION**

FIG. 1 is a perspective view taken from the top, front and right side of an animal crate showing my new design; and  
 FIG. 2 is a perspective view taken from the bottom, rear and left side thereof.



*FIG. 1*



*FIG. 2*

