

[54] NAIL POLISH DRYER

[76] Inventor: Charlene A. Robertson, P.O. Box #1482, Oak Brook, Ill. 60521

[\*\*] Term: 14 Years

[21] Appl. No.: 520,482

[22] Filed: Aug. 4, 1983

[52] U.S. Cl. .... D28/58; D28/15

[58] Field of Search ..... D28/13, 15, 20, 56-63, D28/99; 34/202; 132/1 R, 7, 9, 73-76.5

[56] References Cited

U.S. PATENT DOCUMENTS

D. 216,754	3/1970	Granowitz et al. ....	D28/61
D. 277,323	1/1985	Ralcevic .....	D28/58
1,965,229	7/1934	Galson .....	34/224
2,260,687	10/1941	Lasha .....	34/202
2,389,822	11/1945	Simmons .....	34/202
2,673,402	3/1954	Chambers .....	34/202
3,390,320	6/1968	Kammiller et al. ....	321/2
3,701,201	10/1972	Drury .....	34/202 X

3,712,312	1/1973	Sussman .....	132/73.6
3,730,191	5/1973	Doornbos .....	D28/58 X
3,797,475	3/1974	Hughes .....	34/99 X
3,930,320	1/1976	Henderson .....	D28/58 X
4,158,262	6/1979	Grasso .....	34/202

FOREIGN PATENT DOCUMENTS

958649 3/1950 France .

Primary Examiner—Louis S. Zarfes

Attorney, Agent, or Firm—Leydig, Voit & Mayer, Ltd.

[57] CLAIM

The ornamental design for a nail polish dryer, as shown and described.

DESCRIPTION

FIG. 1 is a perspective view of a nail polish dryer showing my new design; FIG. 2 is a rear elevational view thereof; FIG. 3 is an exploded top perspective view thereof; and FIG. 4 is an exploded left side elevational view thereof, the right side being a mirror image.

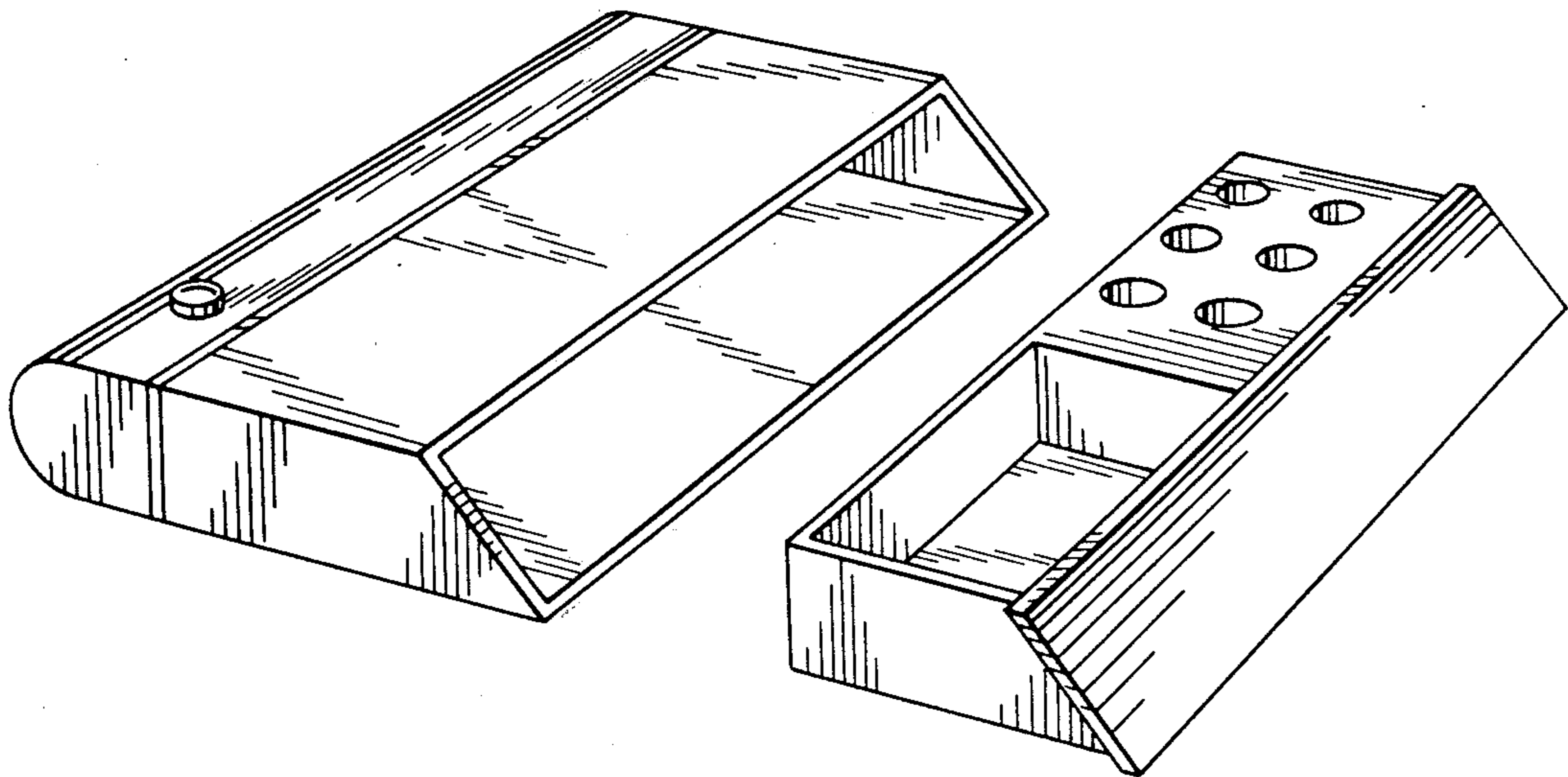


FIG. 1.

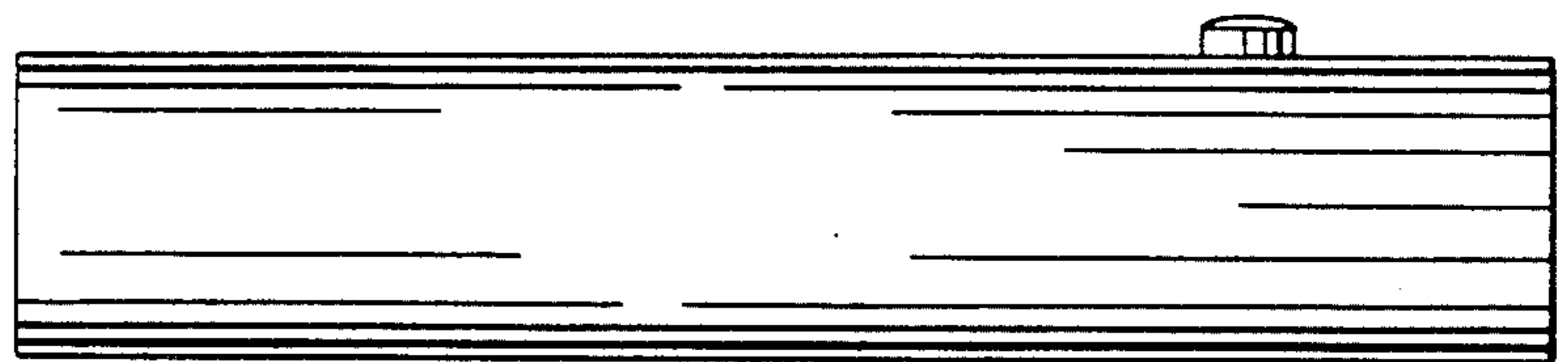
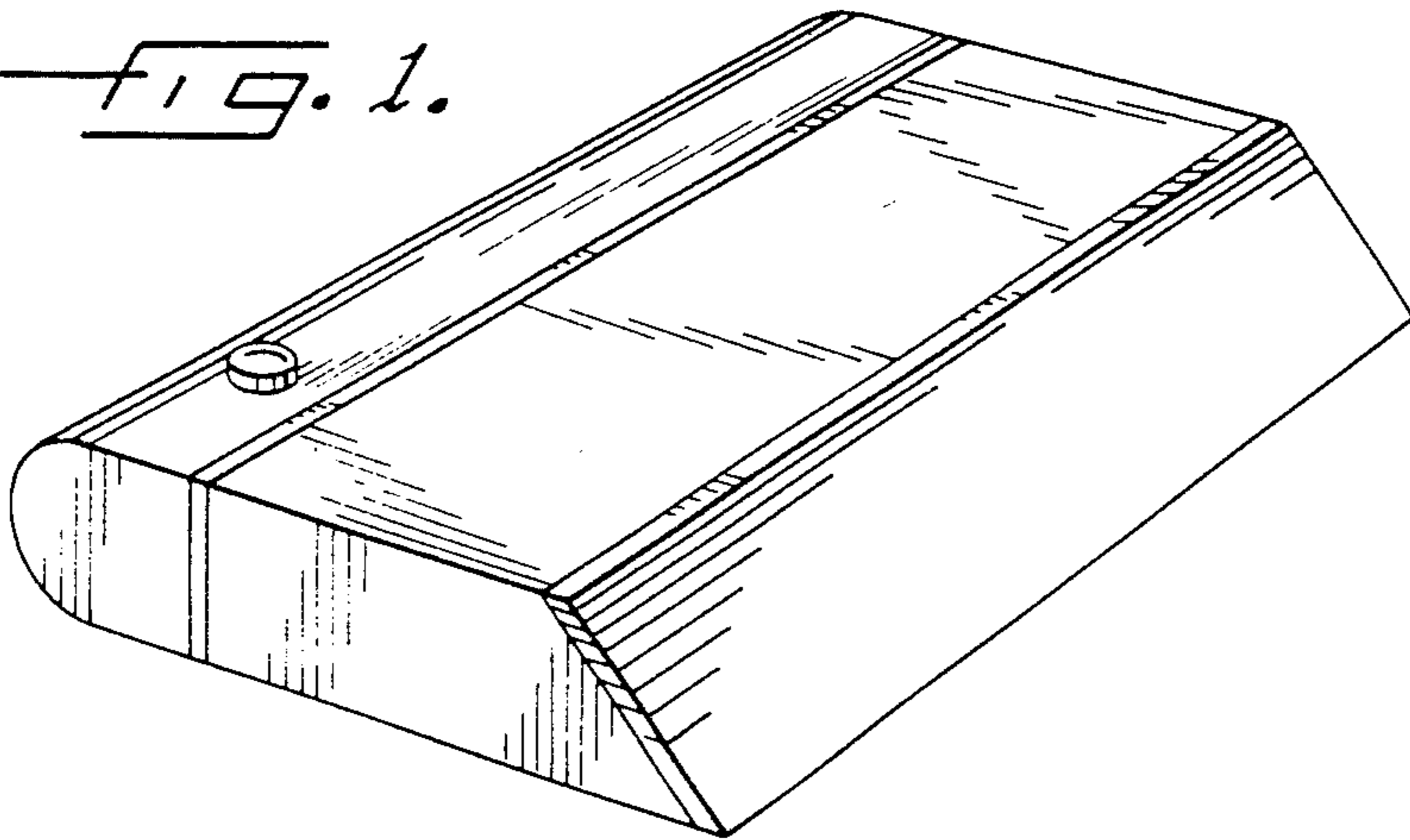


FIG. 2.

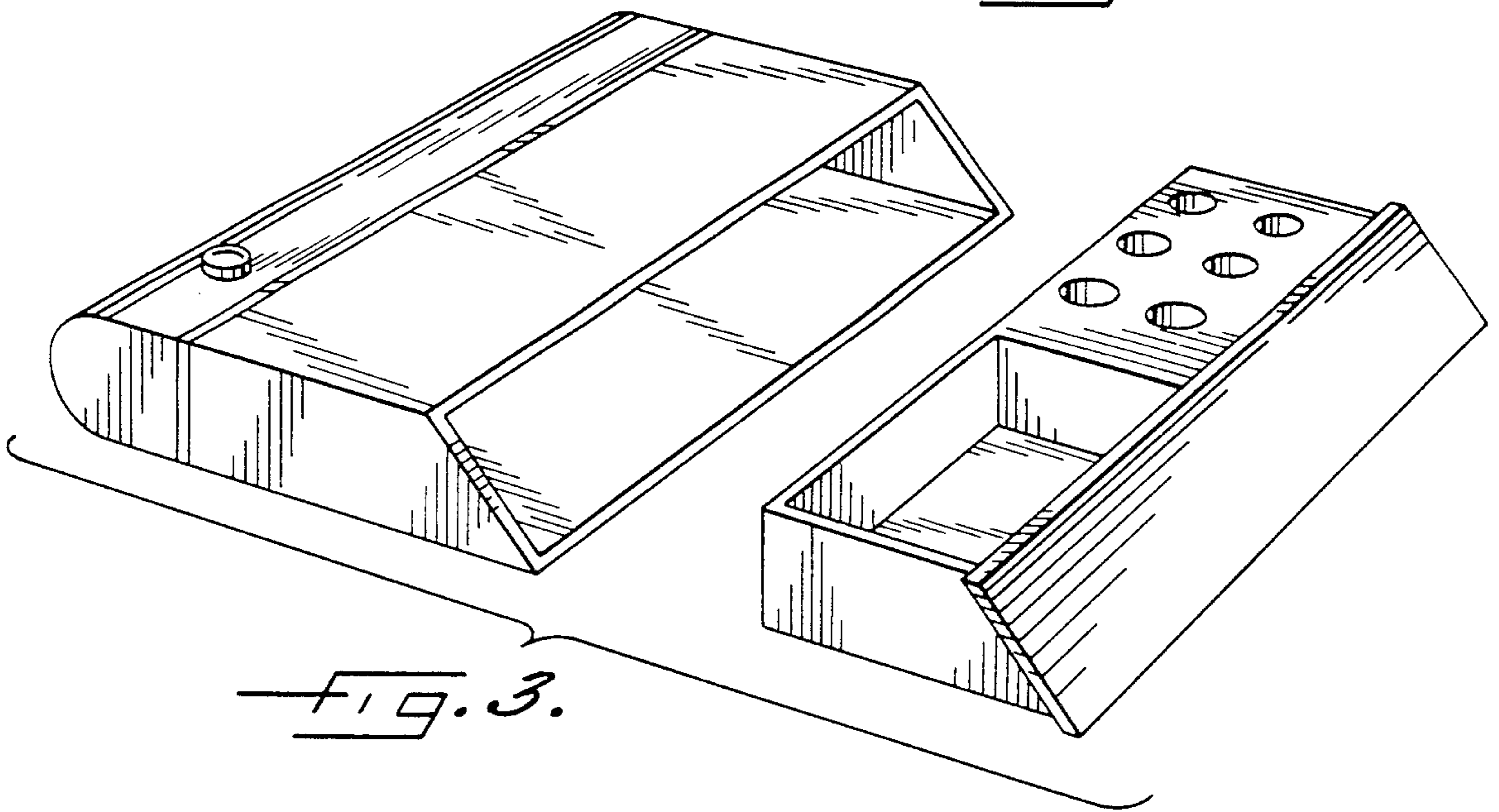


FIG. 3.

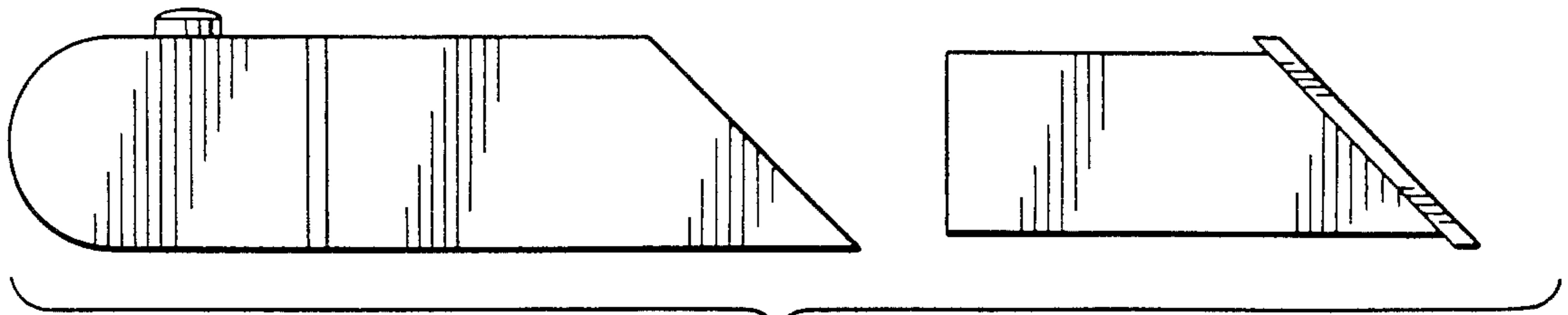


FIG. 4.