

[54] X-RAY FILM CASSETTE HOLDER FOR USE WITH CHILDREN

D. 221,938 9/1971 Valente D6/359
2,926,256 2/1960 Rankin 378/178 X

[76] Inventors: Dennis D. Hayes, 1127 Pillsbury, Lancaster, Calif. 93534; Dean D. Hayes, 39727 Calle Lomite, Green Valley, Calif. 91350

Primary Examiner—Catherine E. Kemper
Attorney, Agent, or Firm—David O'Reilly

[**] Term: 14 Years

[57] CLAIM

The ornamental design for an X-ray film cassette holder for use with children, substantially as shown and described.

[21] Appl. No.: 534,754

DESCRIPTION

[22] Filed: Sep. 22, 1983

[52] U.S. Cl. D24/2; D6/354;
D6/359; D21/70

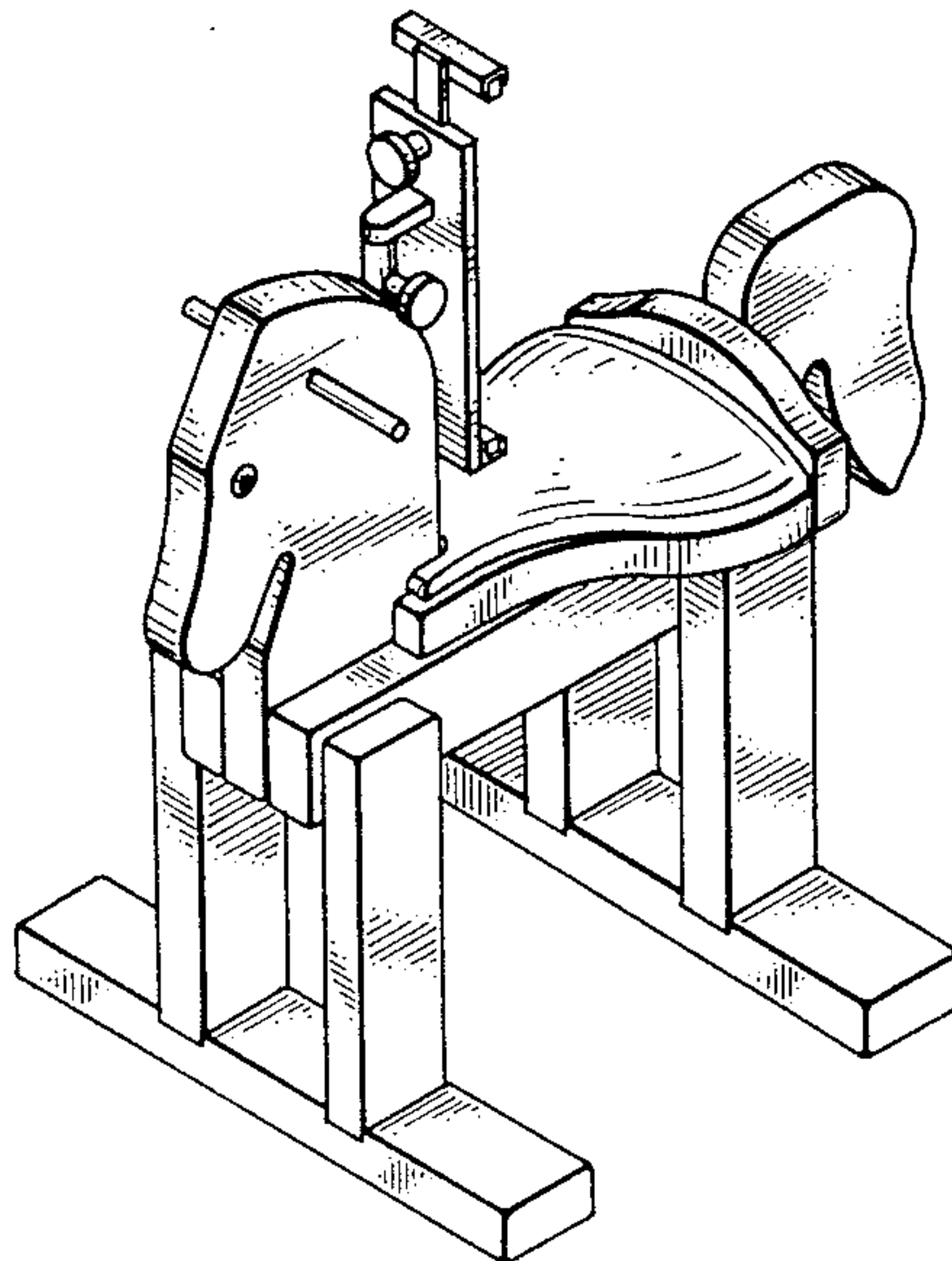
[58] Field of Search D24/1.1, 2, 7; D21/70;
D23/53; D6/333, 340, 345, 351, 354, 355, 359;
378/204, 208, 209, 210, 167, 177, 178, 174, 181;
272/52

FIG. 1 is a perspective view of an X-ray film cassette holder for use with children showing our new design. FIG. 2 is a front elevation view thereof. FIG. 3 is a side elevation thereof; the opposite side being a substantial mirror image. FIG. 4 is a top plan view thereof. FIG. 5 is a bottom plan view thereof. FIG. 6 is a rear elevational view thereof. FIG. 7 is a perspective view of a second embodiment of an X-Ray Film Cassette Holder for use with children; FIG. 8 is a perspective view of a third embodiment of an X-Ray Film Cassette Holder for use with children.

[56] References Cited

U.S. PATENT DOCUMENTS

D. 54,764 3/1920 Oppenheim D21/70 X
D. 139,950 1/1945 Hanscom D21/70



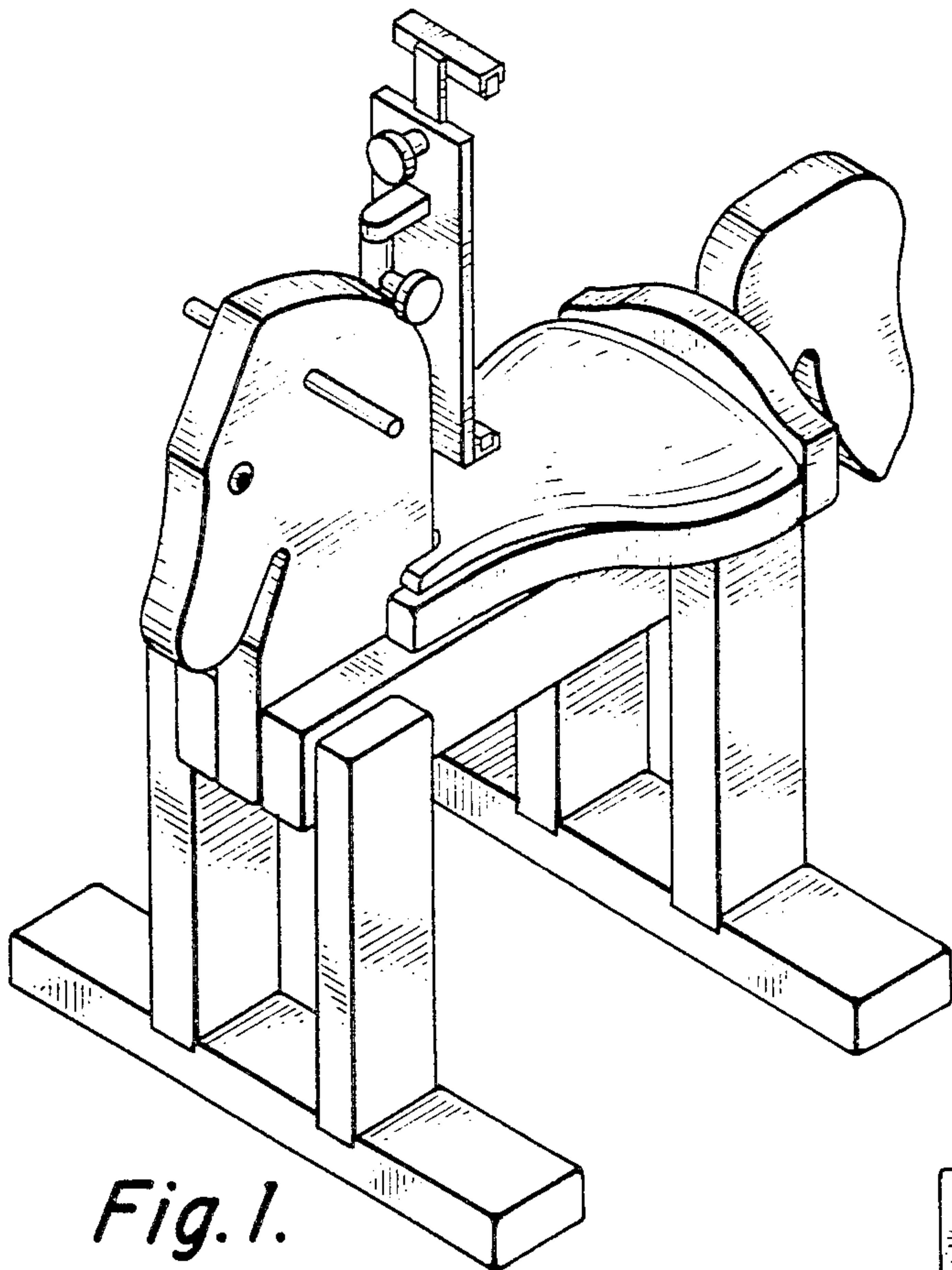


Fig. 1.

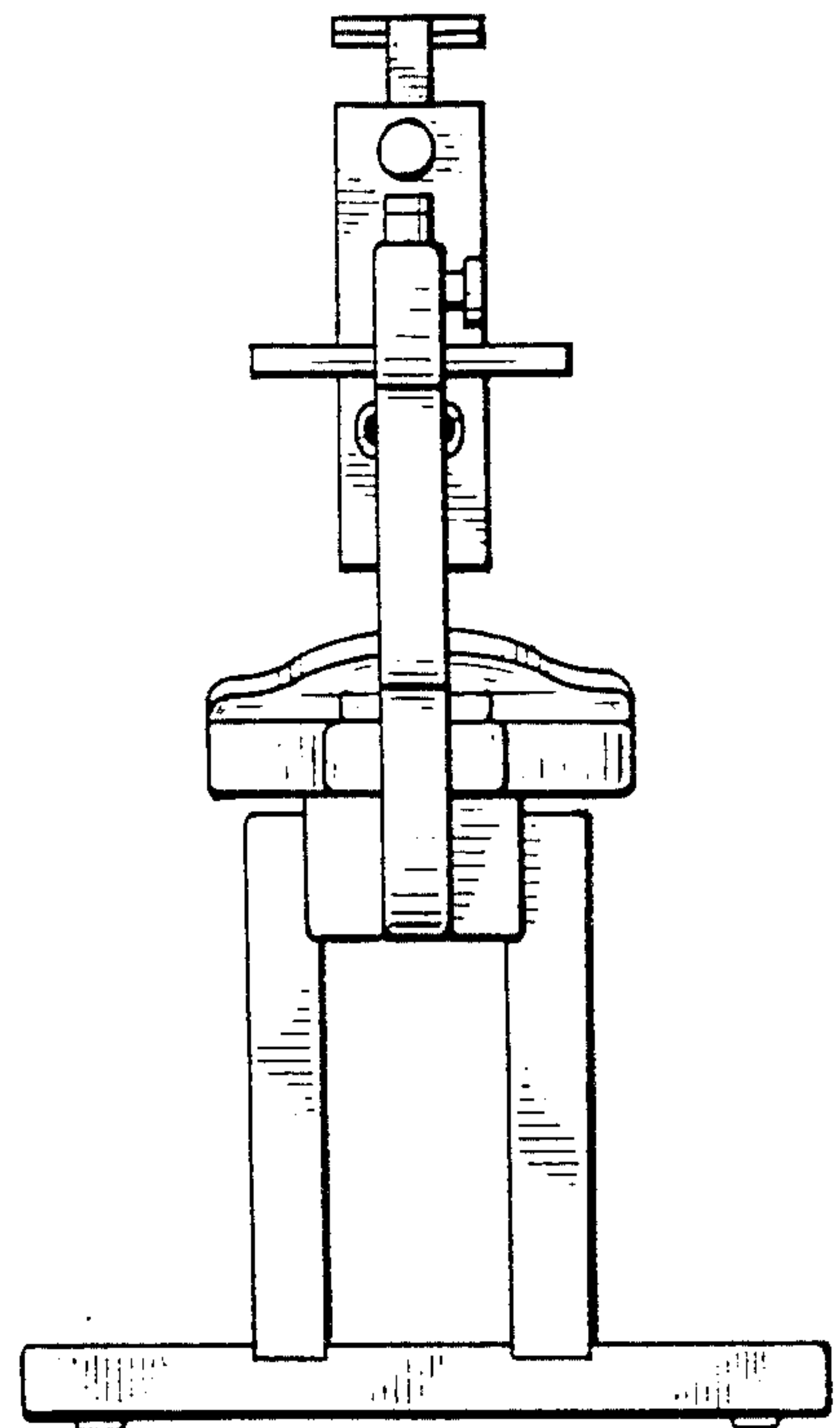


Fig. 2.

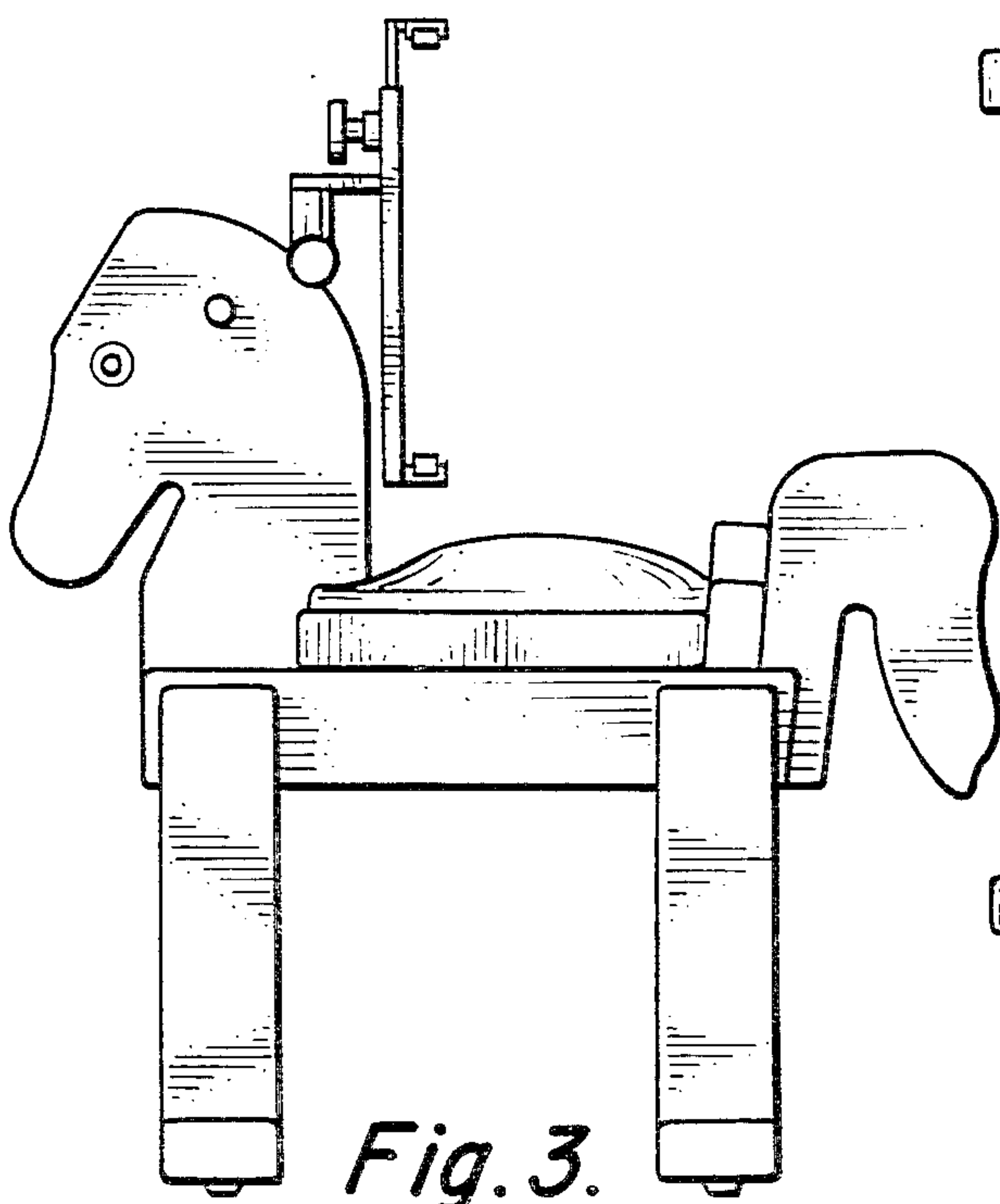


Fig. 3.

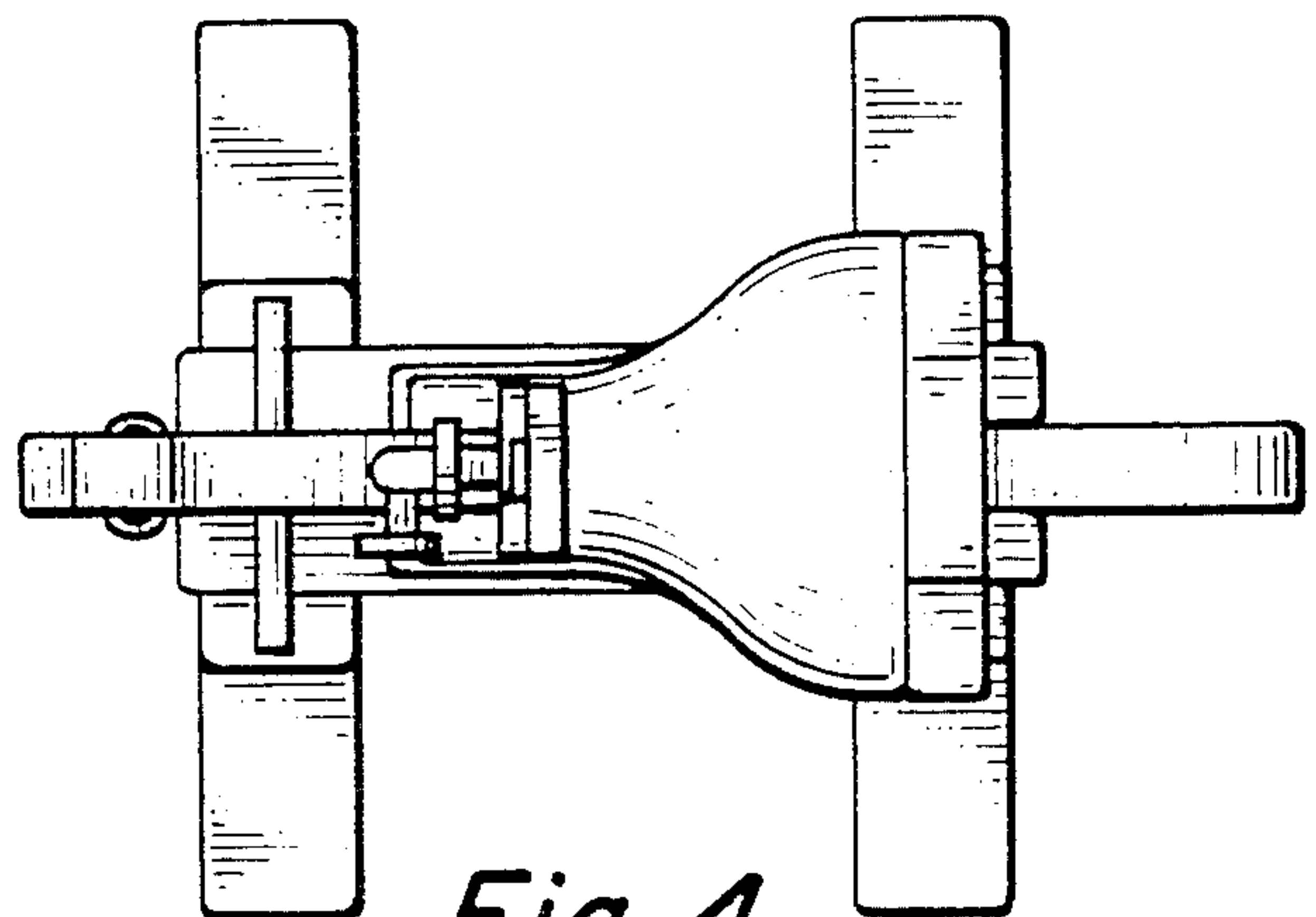


Fig. 4.

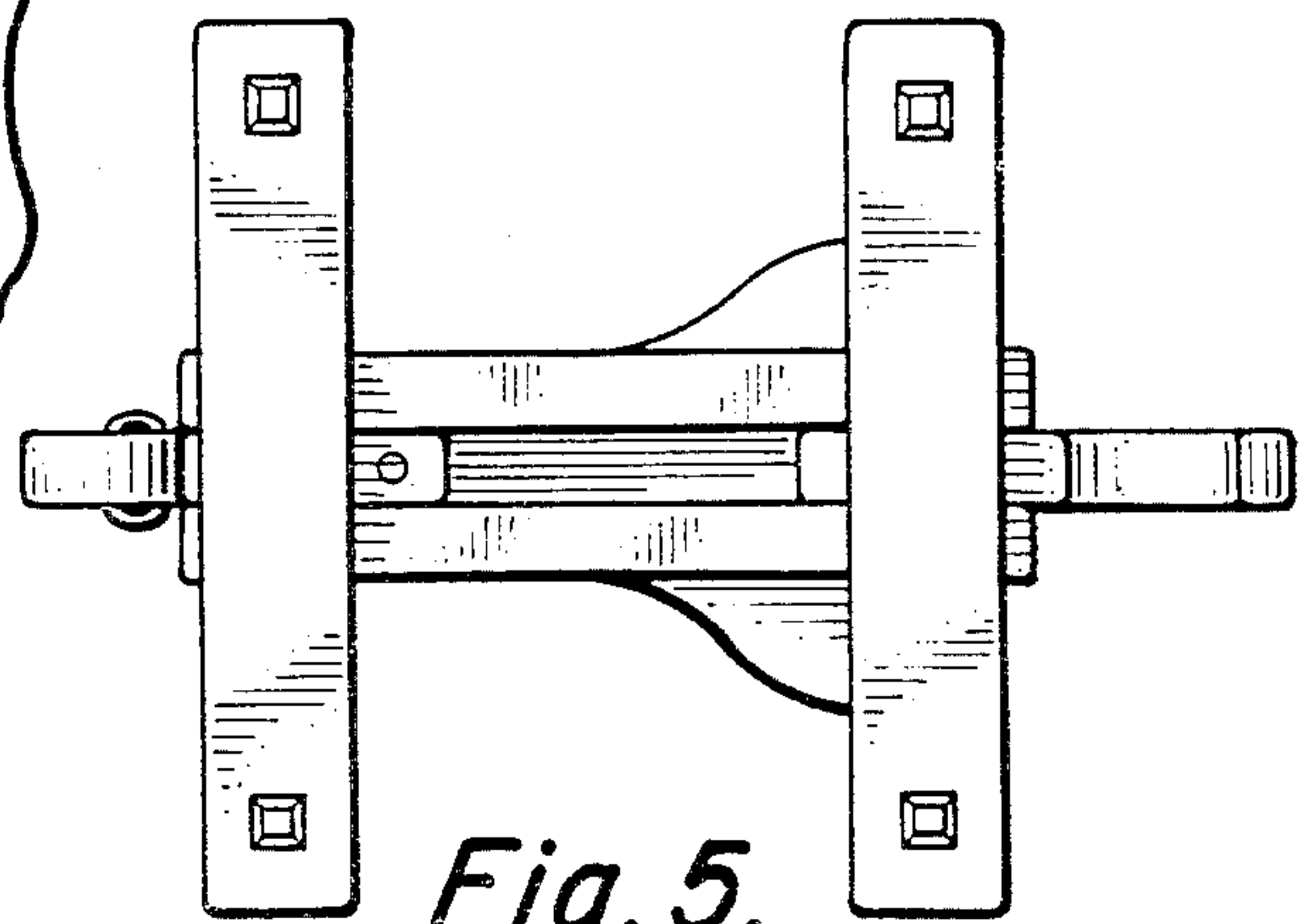


Fig. 5.

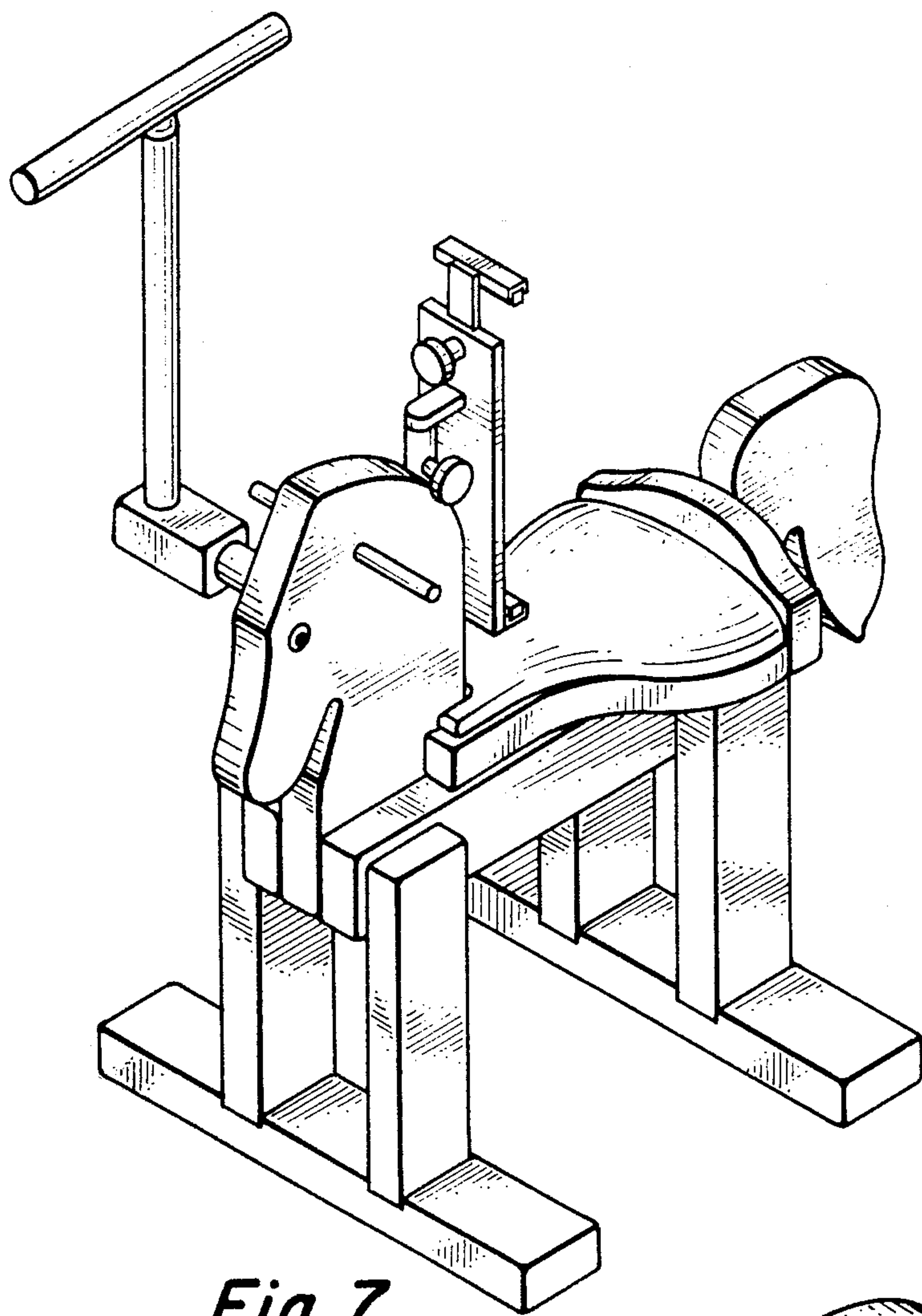


Fig. 7.

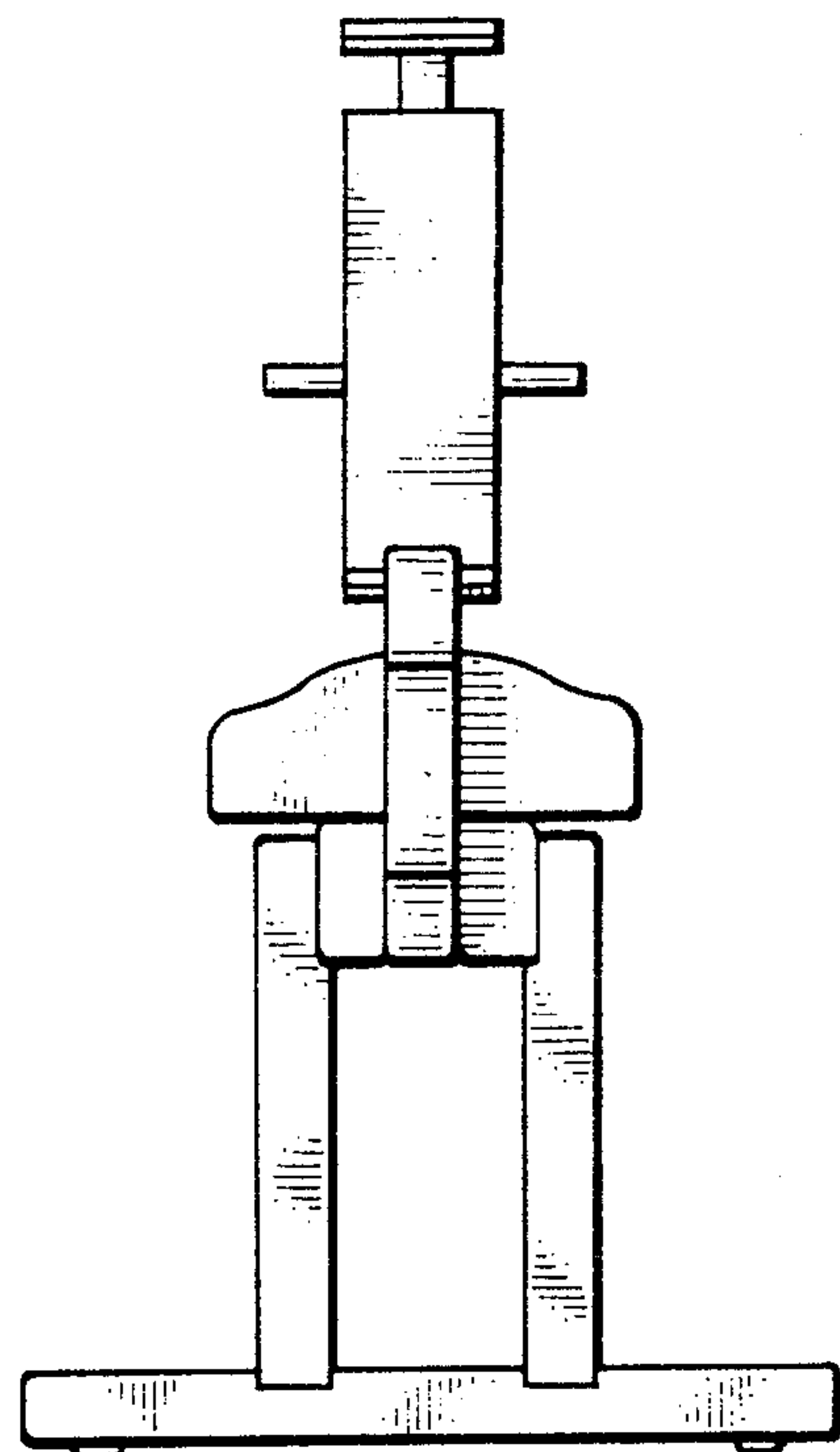


Fig. 6.

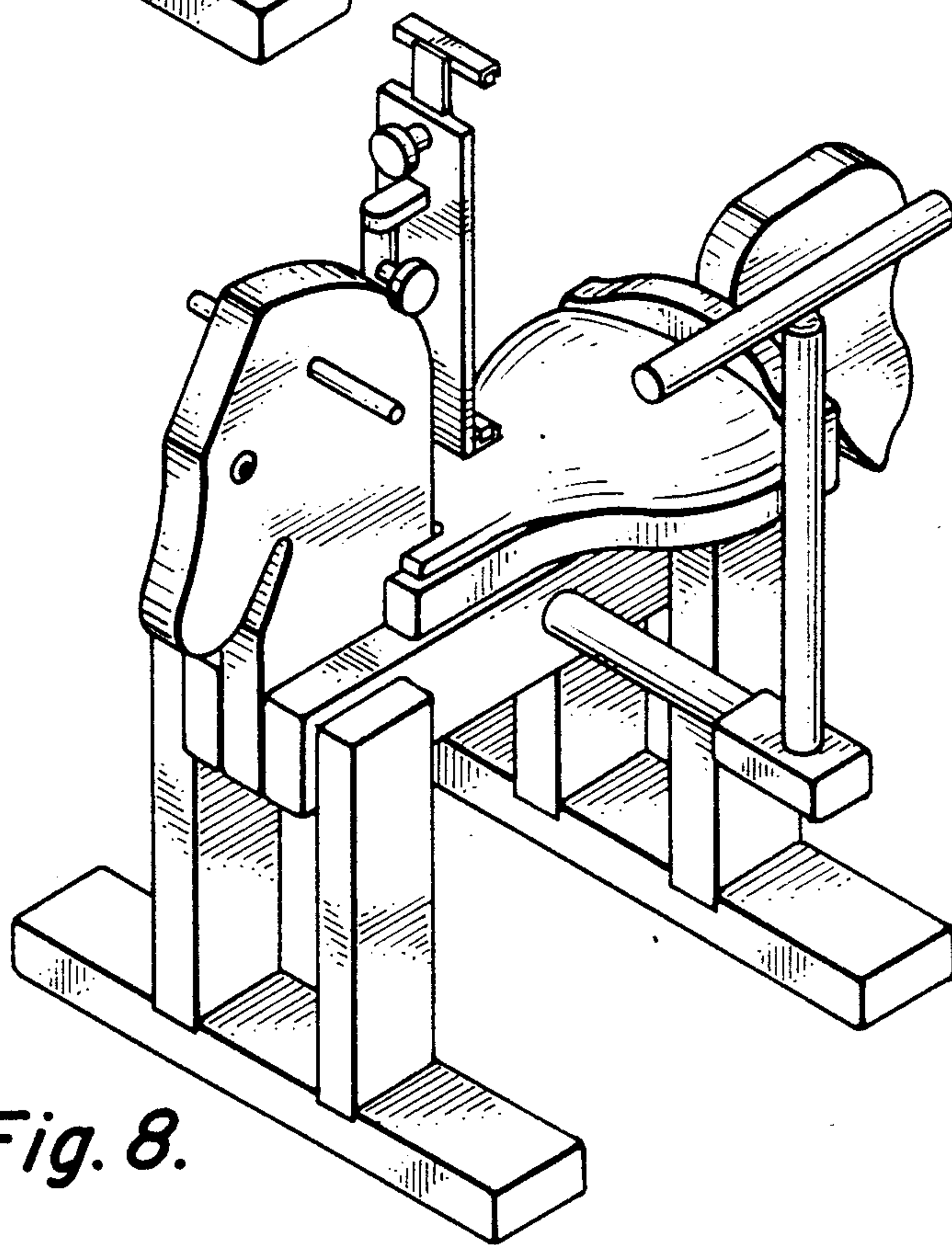


Fig. 8.