

[54] WELDING OUTLET

[75] Inventors: Bobby W. Ryan, Houston; Glynn E. Woods, Kingwood, both of Tex.

[73] Assignee: WFI International, Inc., Houston, Tex.

[**] Term: 14 Years

[21] Appl. No.: 475,262

[22] Filed: Mar. 21, 1983

[52] U.S. Cl. D23/40

[58] Field of Search D23/40-47; 285/189, 286

3,231,297 1/1966 Watts et al. 285/24

3,594,025 7/1971 Wagner 285/189 X

3,894,757 7/1975 Best 285/189

4,103,940 8/1978 Bills 285/189

4,179,141 12/1979 Newman 285/189

4,438,955 3/1984 Ryan 285/189

OTHER PUBLICATIONS

1982-1983 Composite Catalog of Oil Field Equipment & Services, p. 367.

1982 WFI Product Catalog.

Primary Examiner—James R. Largen

Attorney, Agent, or Firm—Pravel, Gambrell, Hewitt & Kimball

[56] References Cited

U.S. PATENT DOCUMENTS

D. 238,876 2/1976 Andersson D23/43

D. 243,456 2/1977 Ryan D23/40

D. 243,457 2/1977 Ryan D23/40

D. 262,397 12/1981 Ryan D23/40

2,463,006 3/1949 Vander Clute 285/189

2,981,556 4/1961 Jackson 285/189 X

3,183,023 5/1965 Morrison 285/189 X

3,216,746 11/1965 Watts 285/110

[57] CLAIM

The ornamental design for a welding outlet, as shown.

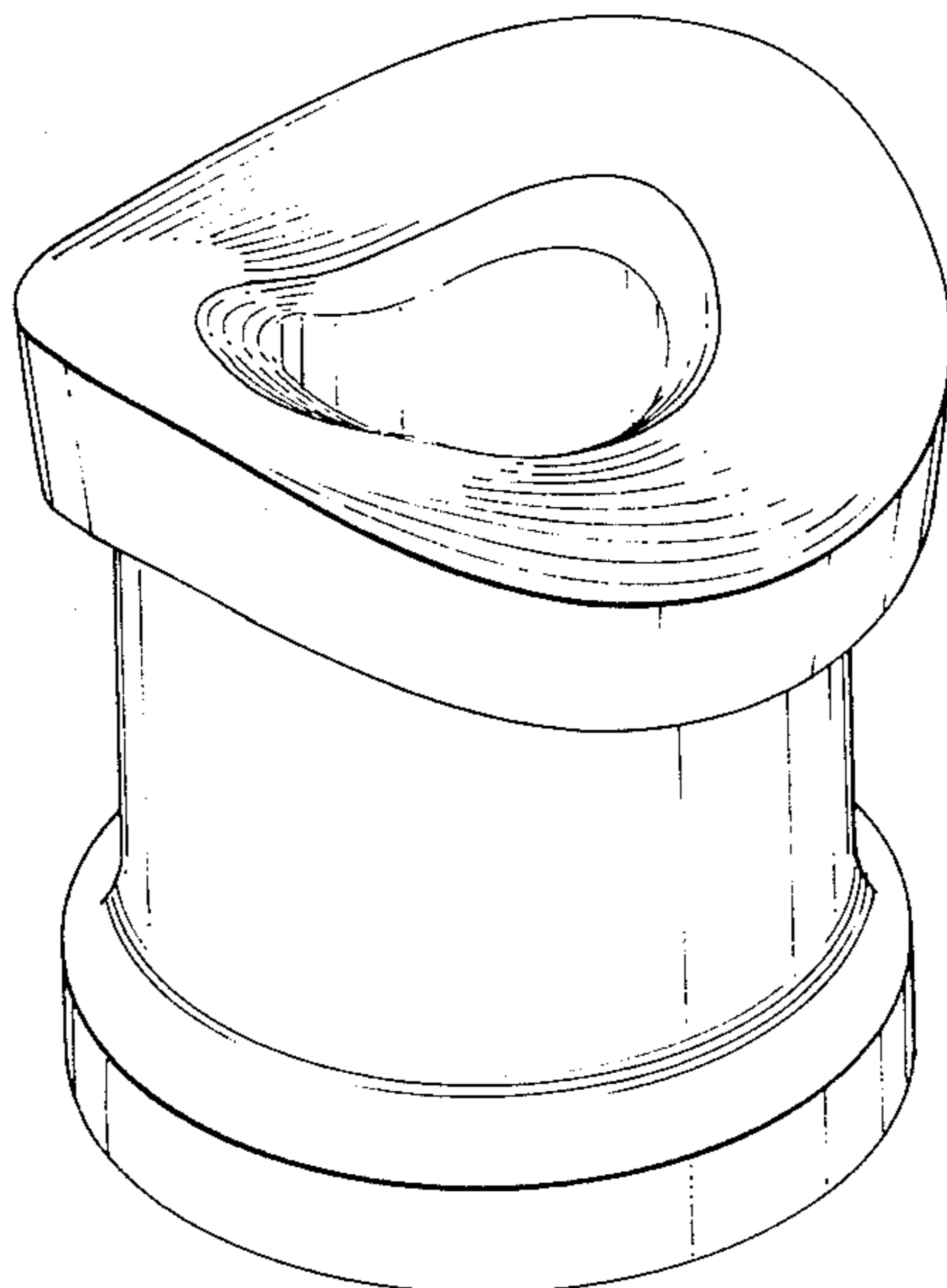
DESCRIPTION

FIG. 1 is a perspective view of a welding outlet showing my new design;

FIG. 2 is a side elevational view thereof;

FIG. 3 is a side elevational view taken 90° from that shown in FIG. 2; and

FIG. 4 is a bottom plan view thereof.



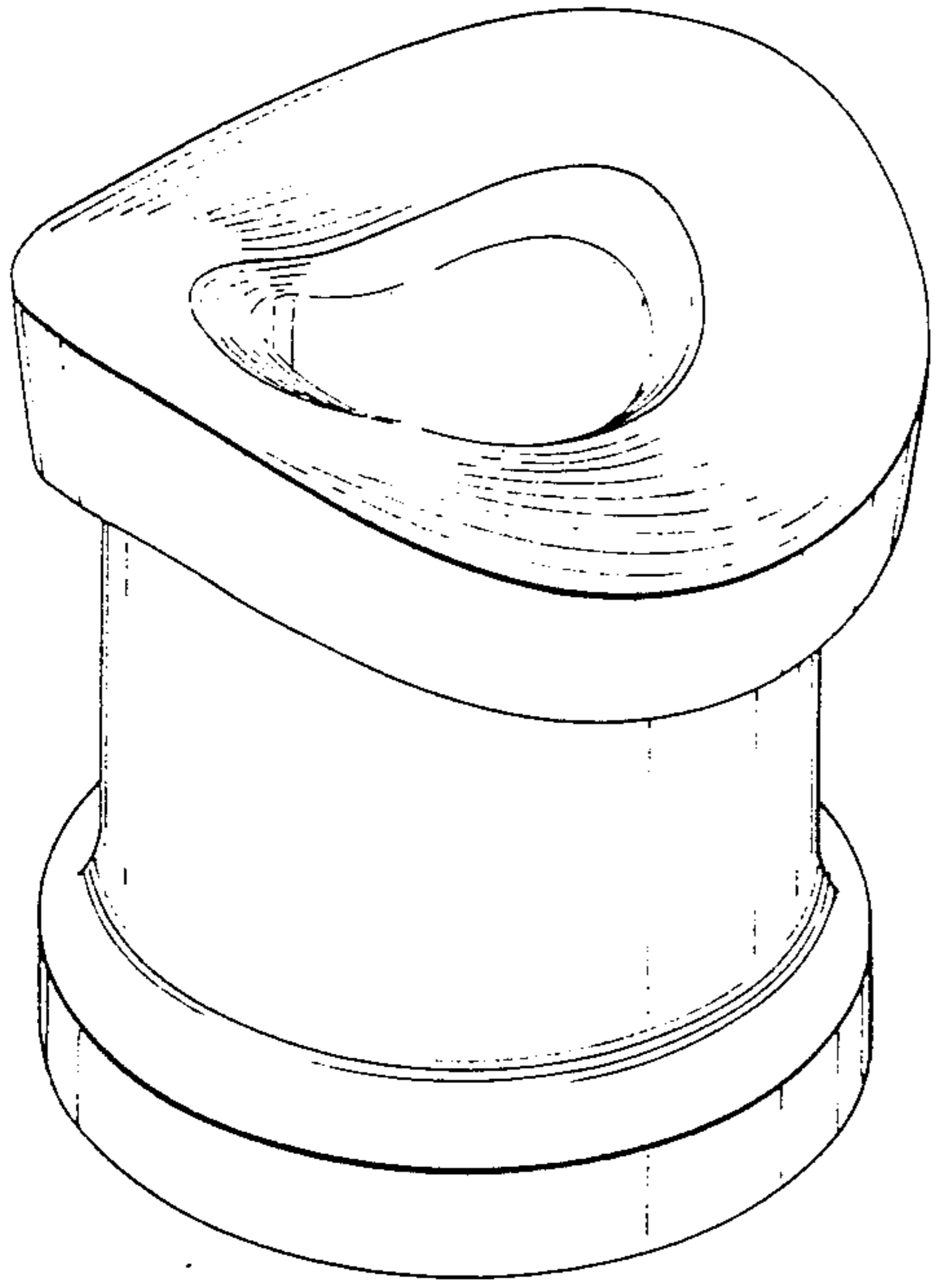


fig. 1

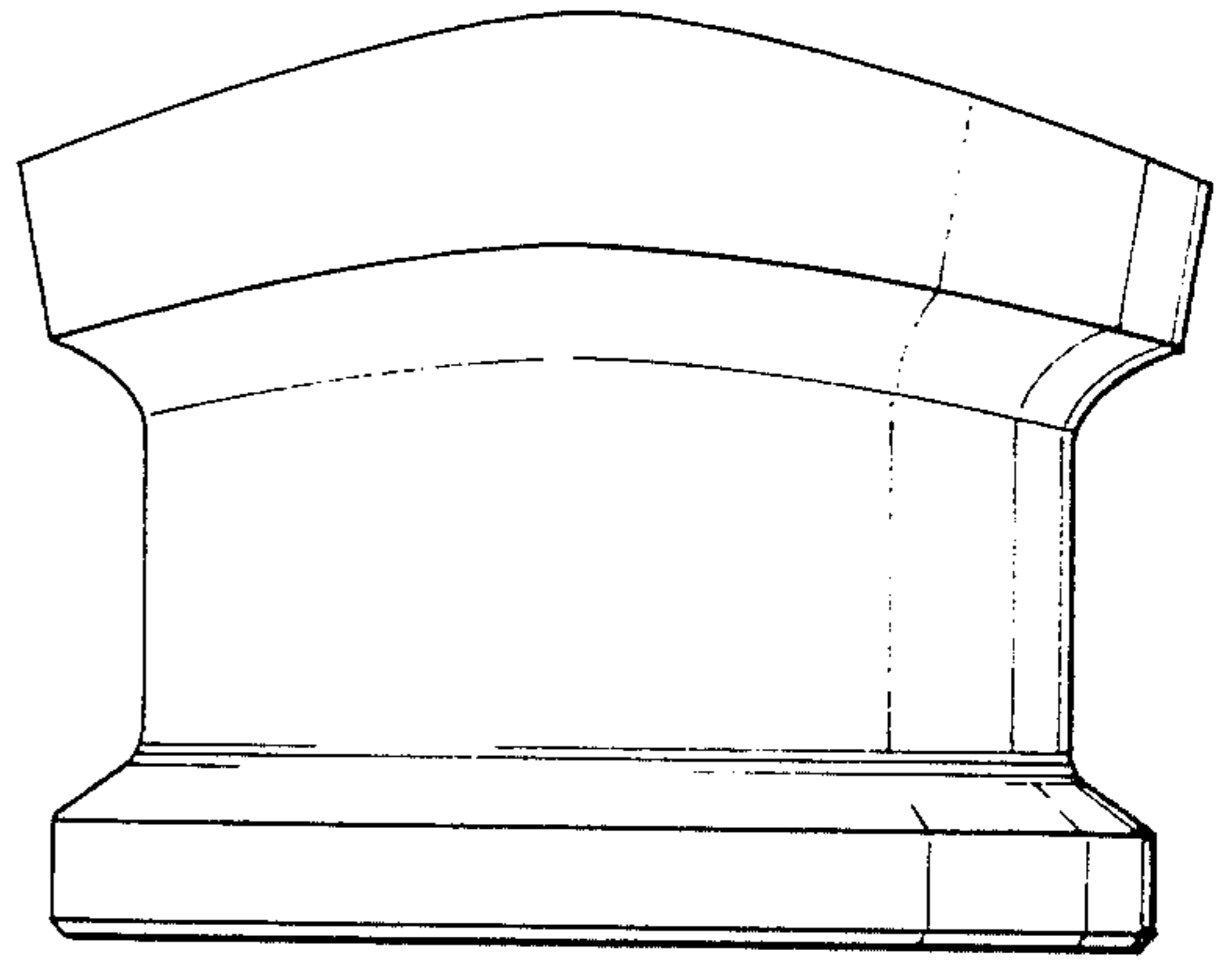


fig. 2

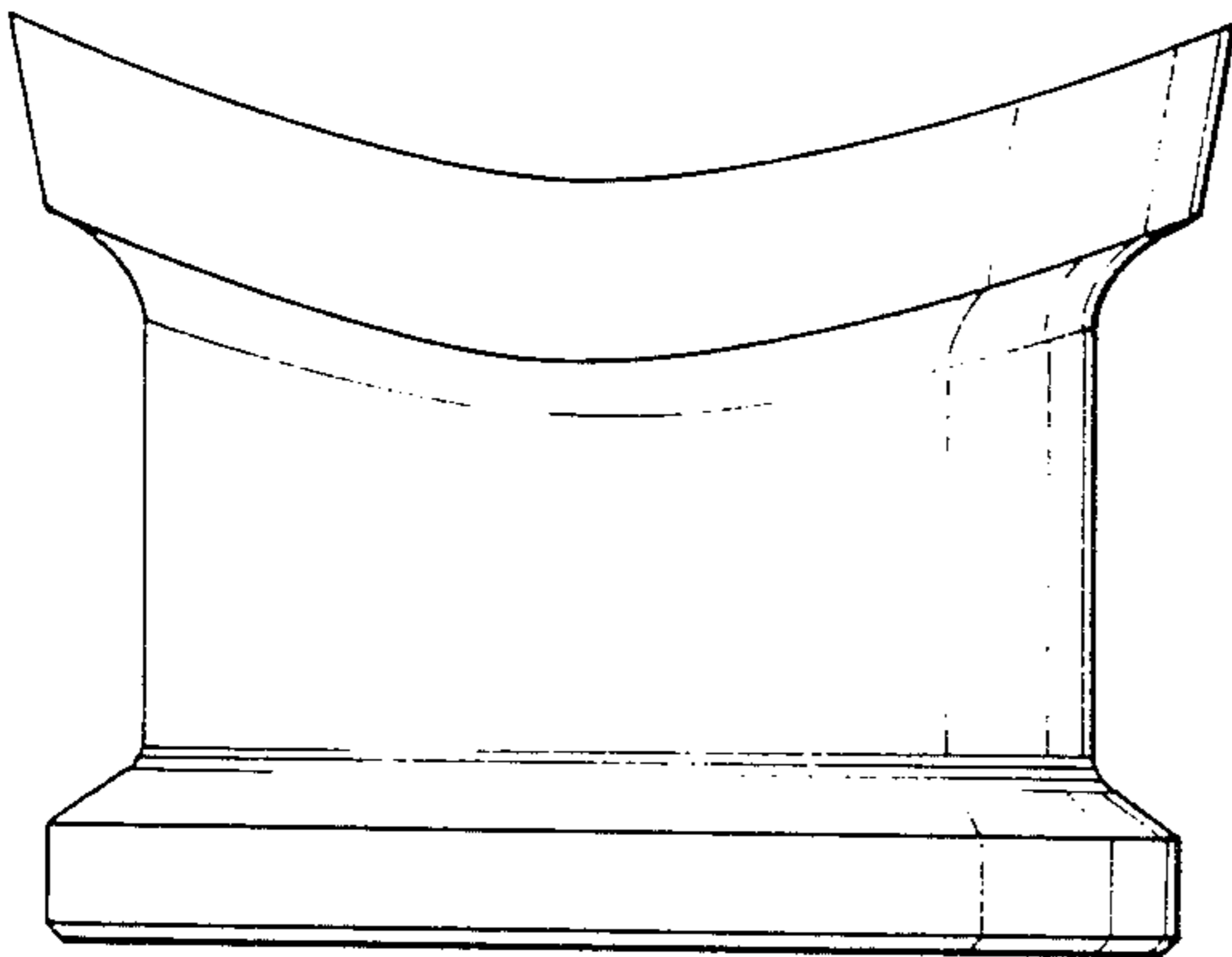


fig. 3

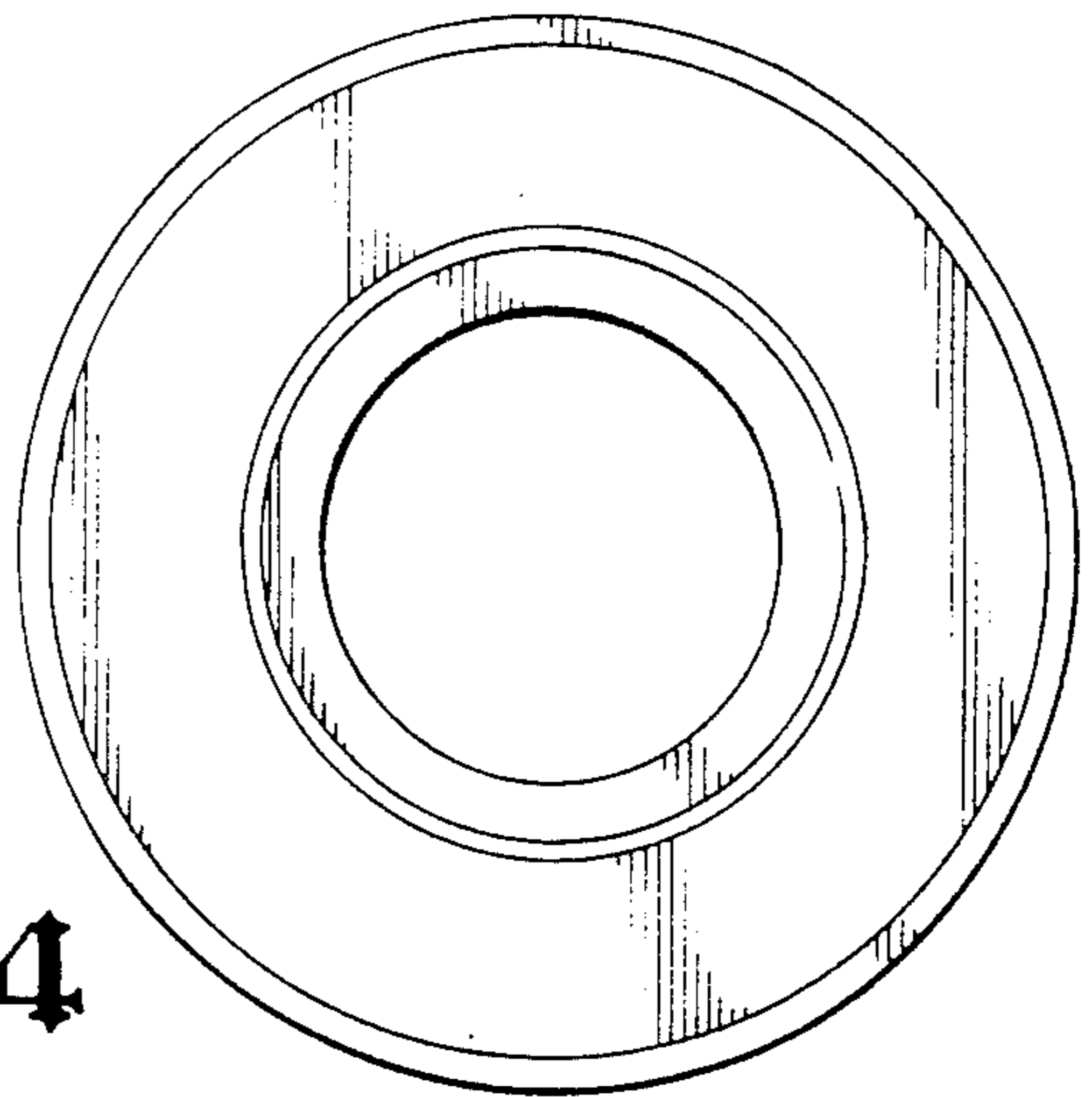


fig. 4