

[54] LAWN SPRINKLER

[75] Inventor: Ronald G. Hayes, Batavia, Ohio

[73] Assignee: L. R. Nelson Corporation, Peoria, Ill.

[**] Term: 14 Years

[21] Appl. No.: 602,489

[22] Filed: Apr. 20, 1984

[52] U.S. Cl. D23/8

[58] Field of Search D23/6-10;
239/69, 239, 240, 242, 263, 537

[56] References Cited

U.S. PATENT DOCUMENTS

D. 186,011	8/1959	Benjamin	D23/8
D. 218,970	10/1970	Mango et al.	D23/8
D. 218,971	10/1970	Mango et al.	D23/8
D. 218,972	10/1970	Mango et al.	D23/8
D. 269,367	6/1983	MacKay et al.	D23/8
2,921,474	1/1960	Ballard	239/242 X
2,945,385	7/1960	Nelson	239/242 X
3,055,595	9/1962	Bohn et al.	239/242
3,222,655	11/1965	Mattson	239/242
3,286,929	11/1966	Henningsen	239/242
3,423,024	1/1969	Morawetz	239/242

3,559,888	2/1971	Miklos	239/242
4,457,471	7/1984	Roman	239/242

FOREIGN PATENT DOCUMENTS

271747 11/1966 Australia .

OTHER PUBLICATIONS

Hardware Age, Mar. 21, 1963, p. 71, Item 6.

Primary Examiner—James R. Largen

Attorney, Agent, or Firm—Cushman, Darby & Cushman

[57] CLAIM

The ornamental design for a lawn sprinkler, as shown and described.

DESCRIPTION

FIG. 1 is a perspective view of a lawn sprinkler showing my new design;

FIG. 2 is a top plan view thereof;

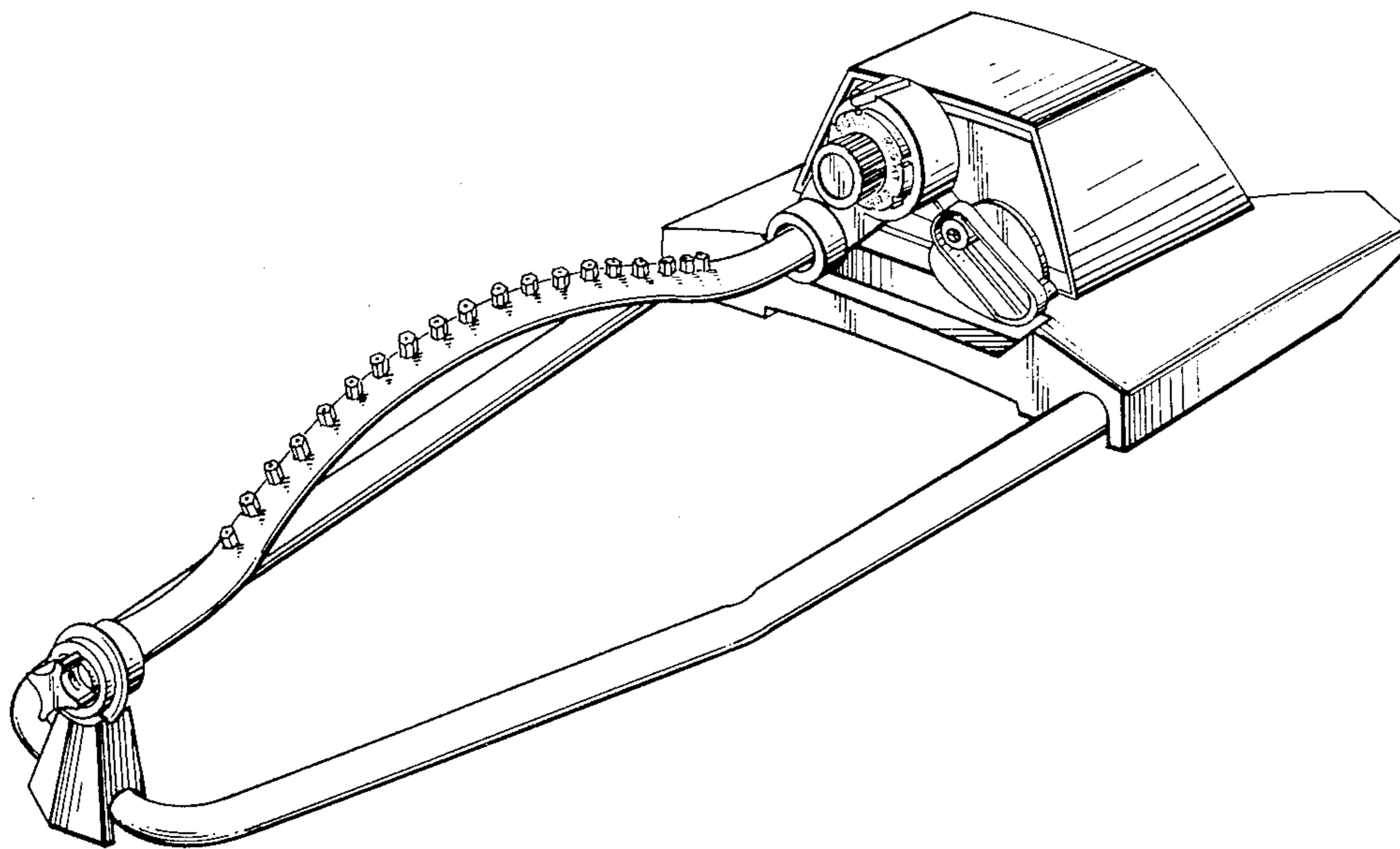
FIG. 3 is a right side elevational view thereof;

FIG. 4 is a bottom plan view thereof;

FIG. 5 is a rear elevational view thereof; and

FIG. 6 is a front elevational view thereof.

The broken line representation of indicia in FIGS. 1 and 6 are for illustration only.



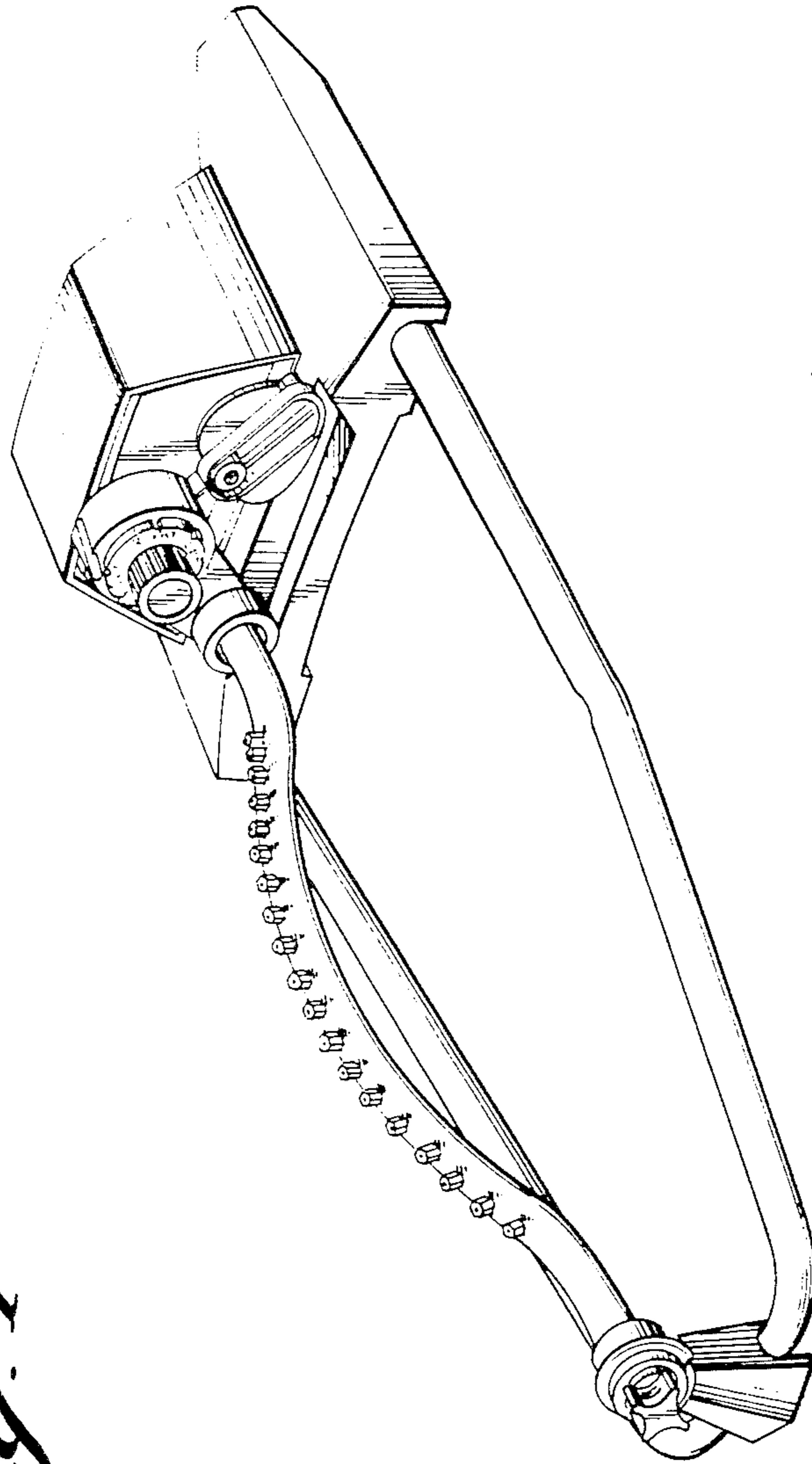


Fig. 1

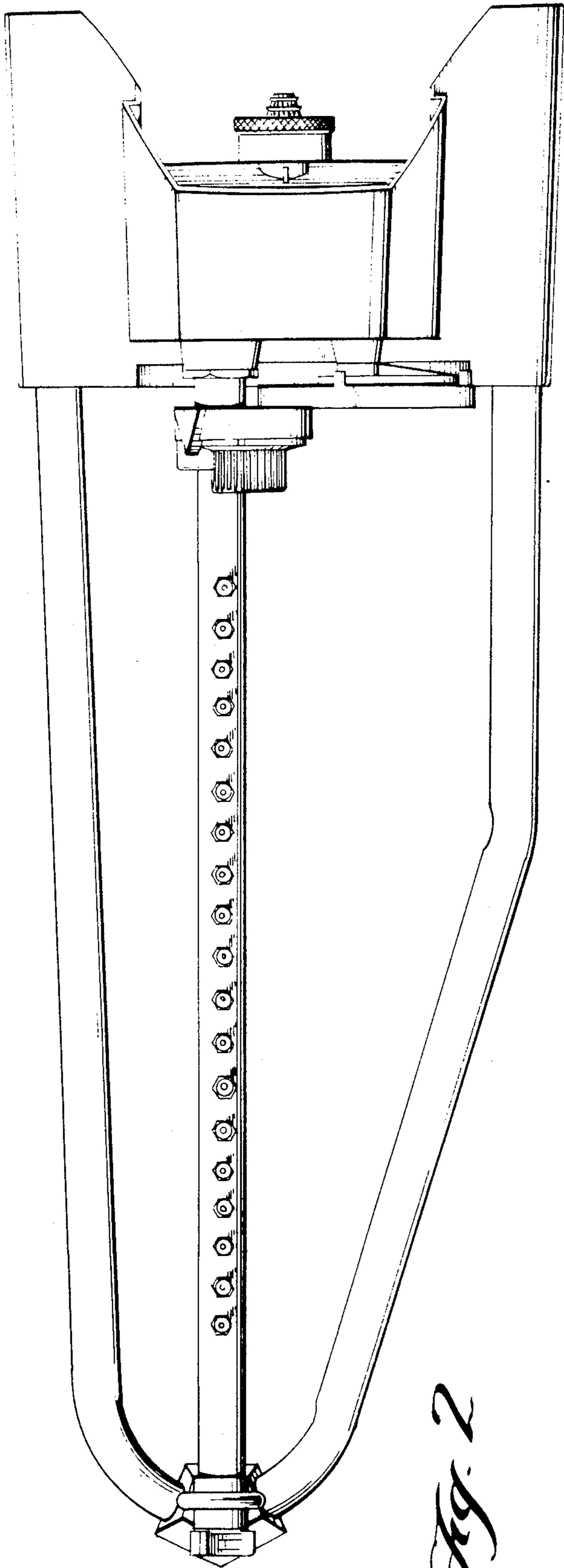


Fig. 2

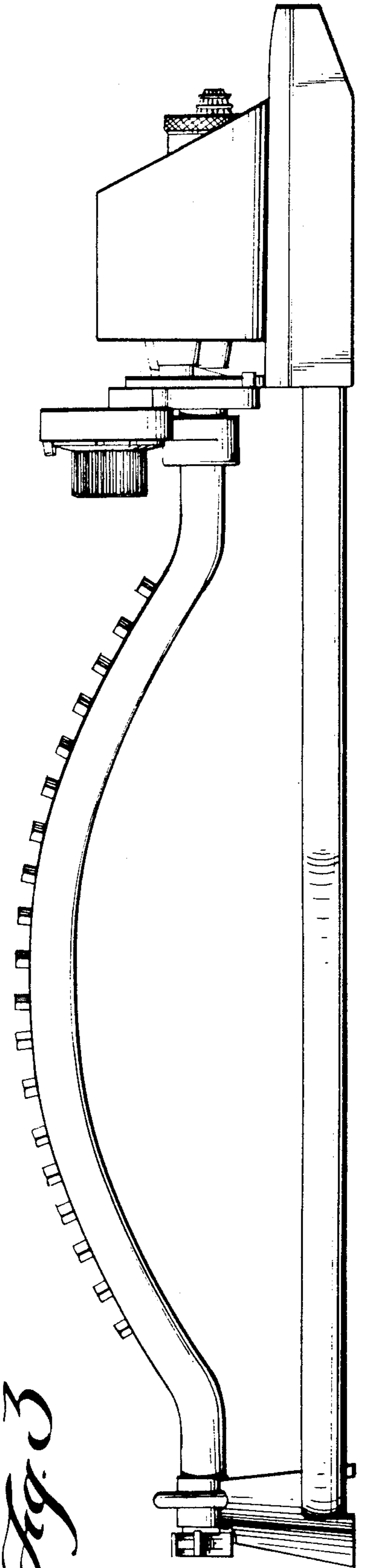


Fig. 3

