

[54] AGRICULTURAL TRACTOR

[75] Inventor: Genichi Funabashi, Sennan, Japan

[73] Assignee: Kubota, Ltd., Japan

[**] Term: 14 Years

[21] Appl. No.: 532,984

[22] Filed: Sep. 16, 1983

[30] Foreign Application Priority Data

Jun. 17, 1983 [JP] Japan 58-26306

[52] U.S. Cl. D15/23

[58] Field of Search D15/10, 22, 23, 26; 180/55, 89.1; 296/177, 194

[56] References Cited

U.S. PATENT DOCUMENTS

D. 205,208 7/1966 Heth et al. D15/23

D. 209,138 11/1967 Armstrong et al. D15/23

D. 258,824 4/1981 Funabashi D15/23

D. 261,141 10/1981 Takahashi et al. D15/23

D. 274,524 7/1984 Koval et al. D15/23

Primary Examiner—B. J. Bullock

Assistant Examiner—Suzanne N. Gitlin

Attorney, Agent, or Firm—Cushman, Darby & Cushman

[57] CLAIM

The ornamental design of an agricultural tractor, as shown and described.

DESCRIPTION

FIG. 1 is a side elevational view of an agricultural tractor showing my new design;

FIG. 2 is a side elevational view opposite that shown in FIG. 1;

FIG. 3 is a top plan view thereof;

FIG. 4 is a front elevational view thereof;

FIG. 5 is a rear elevational view thereof.

The broken line showing of the tires in the drawing is for illustrative purposes only.

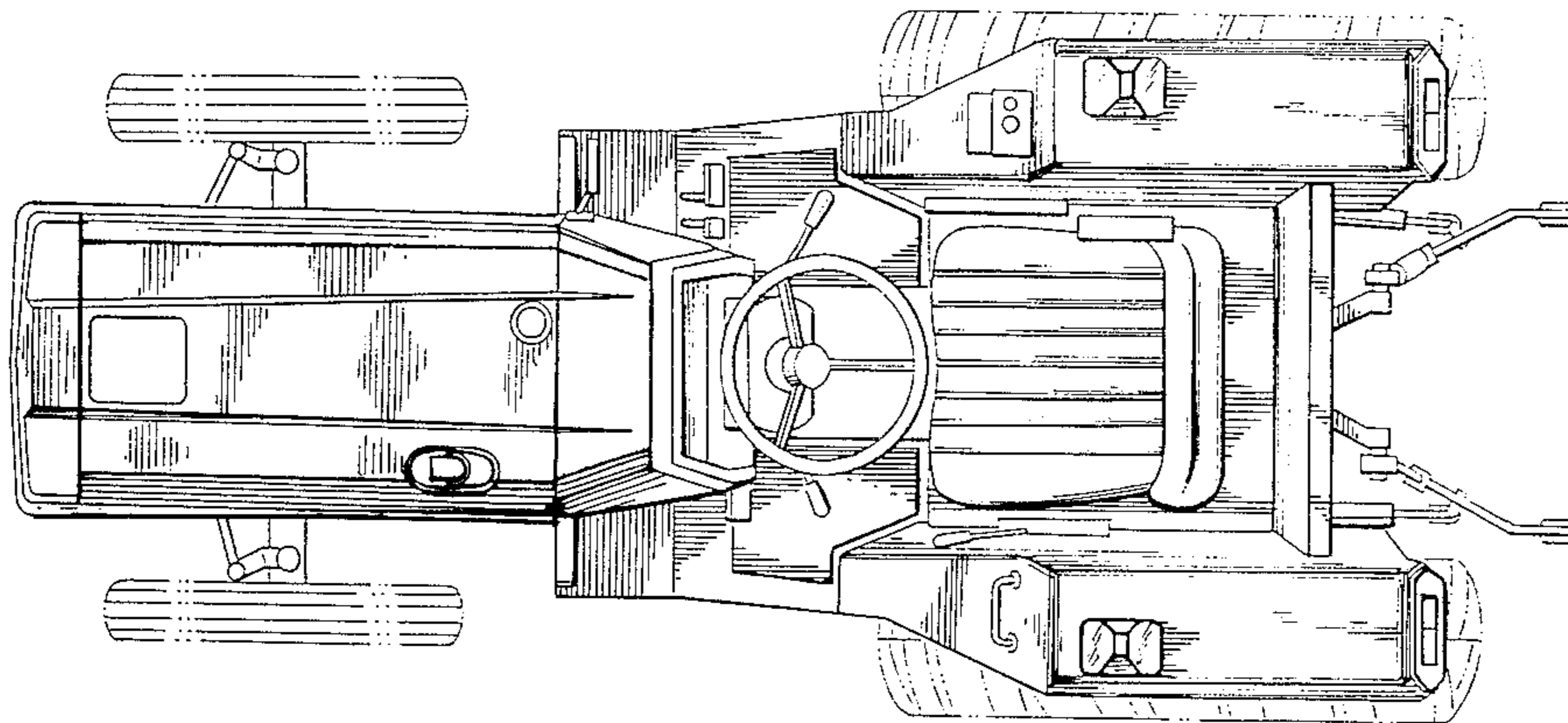
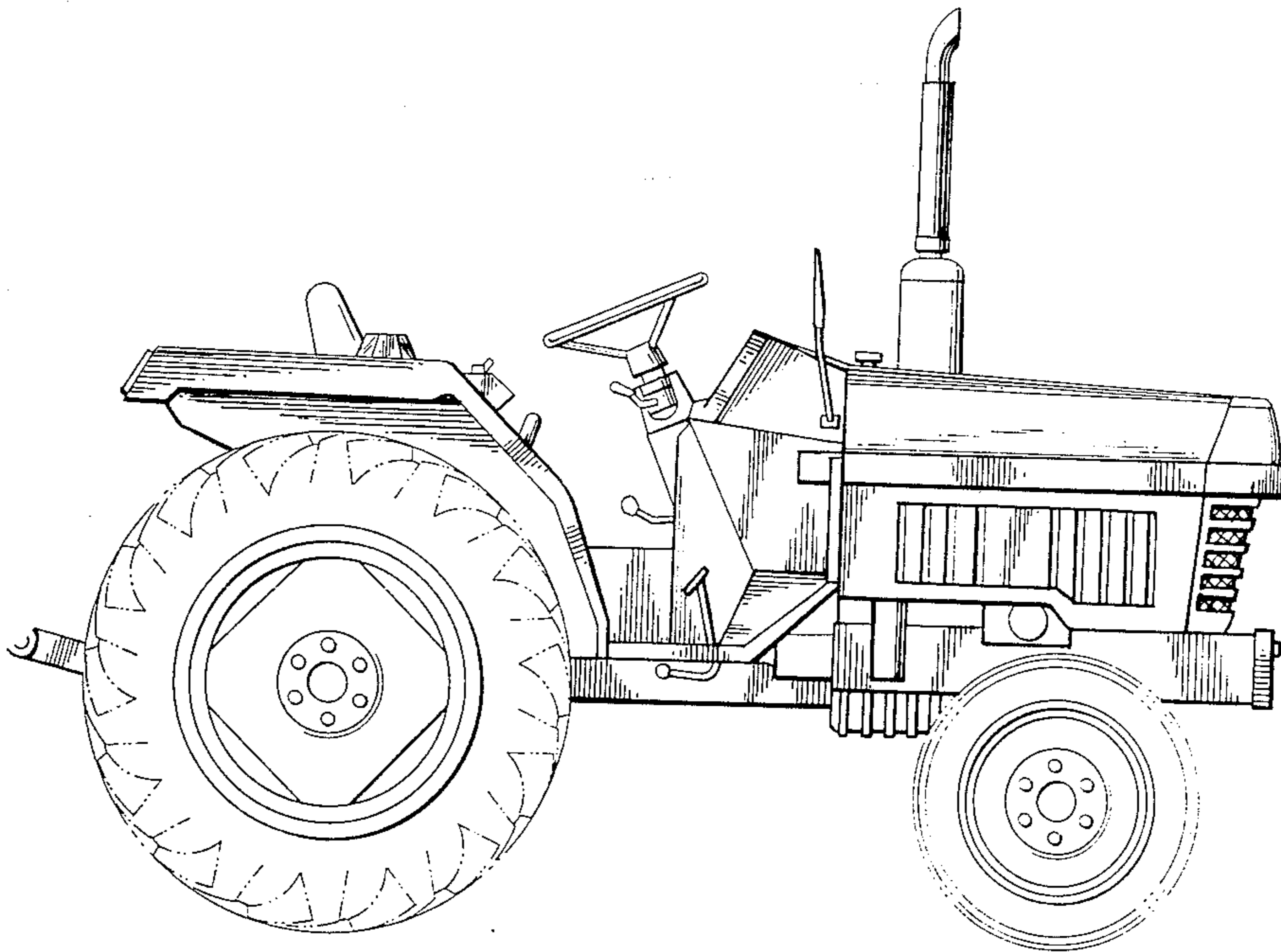


FIG. 1

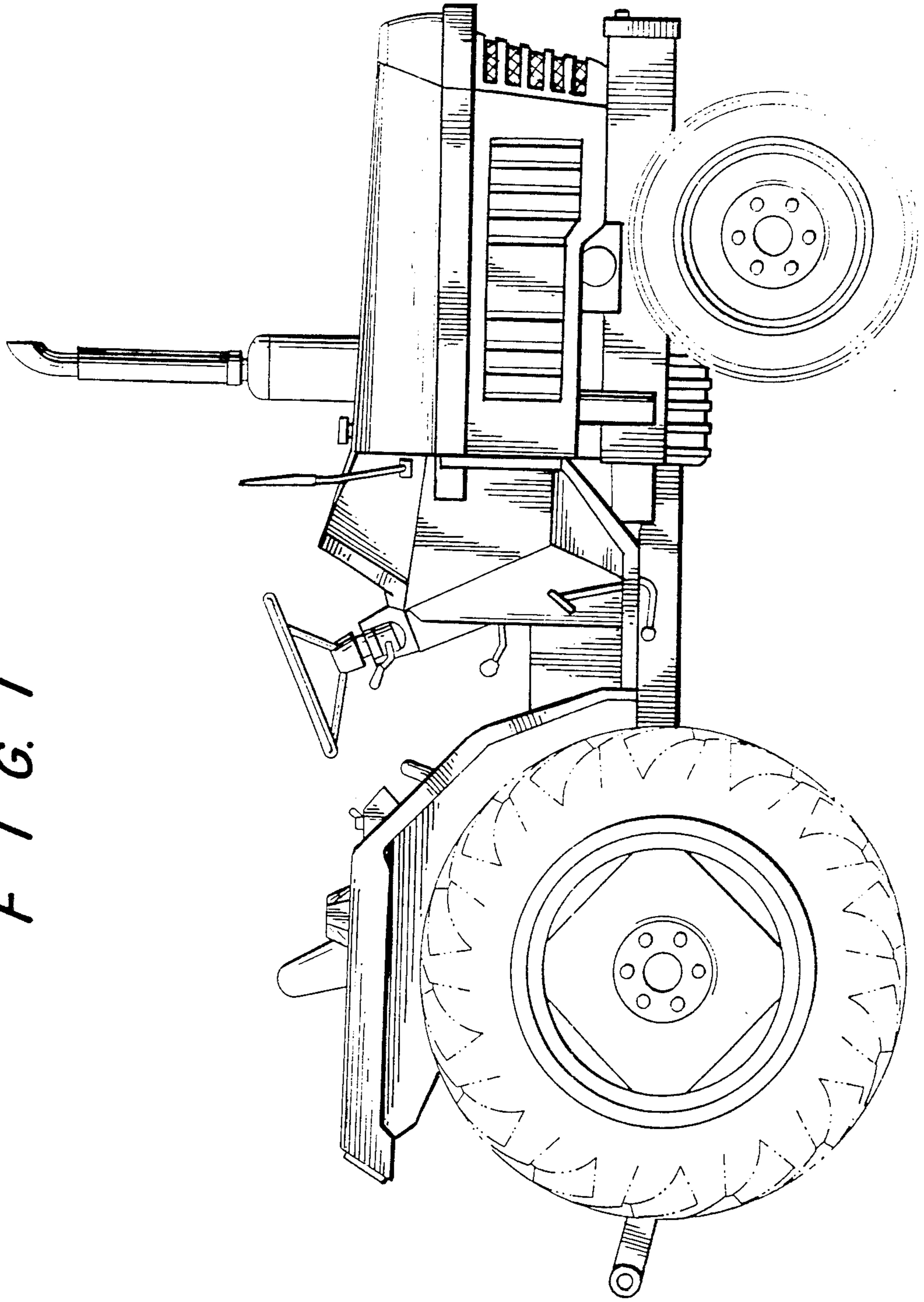
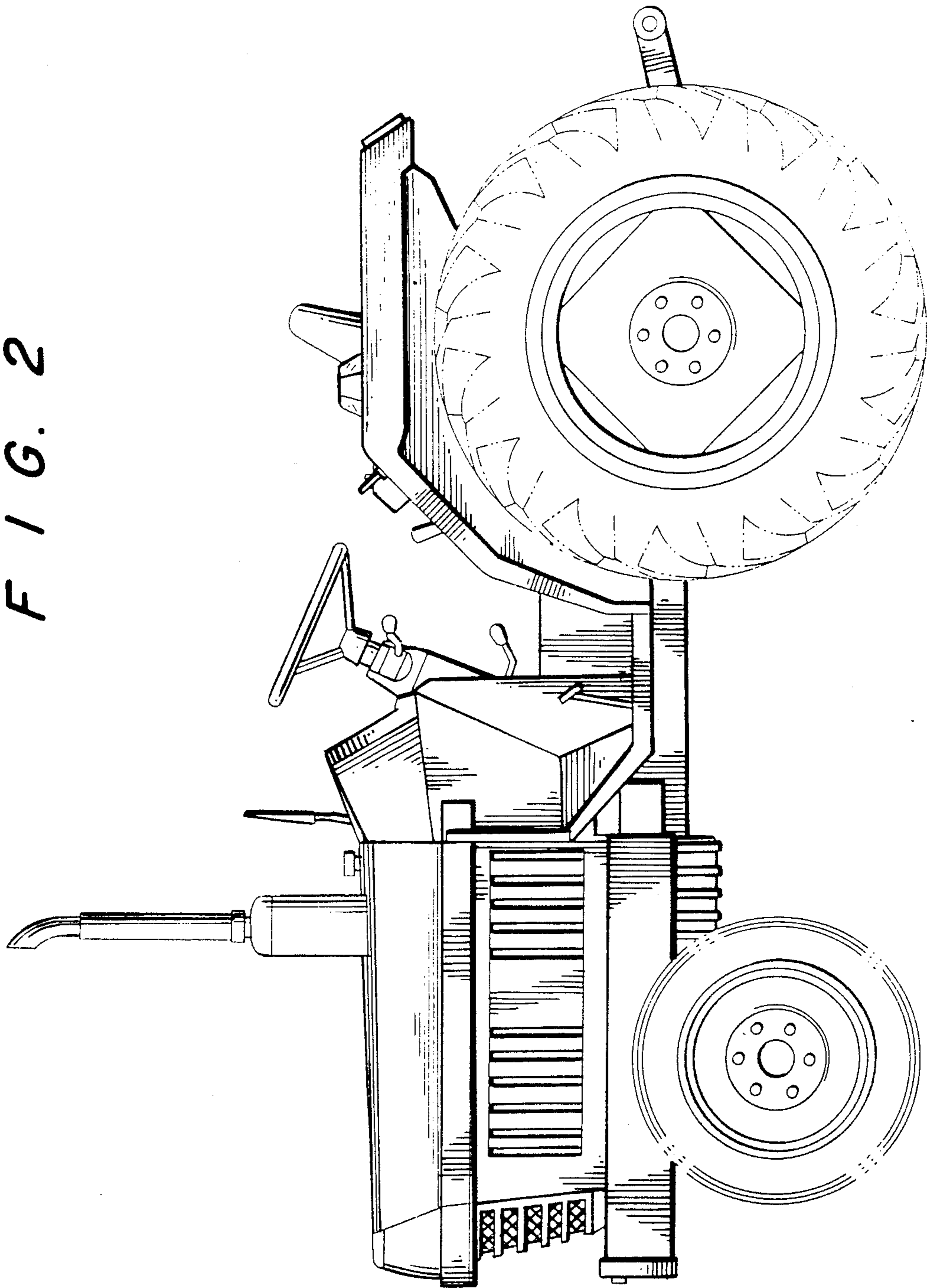


FIG. 2



F I G. 3

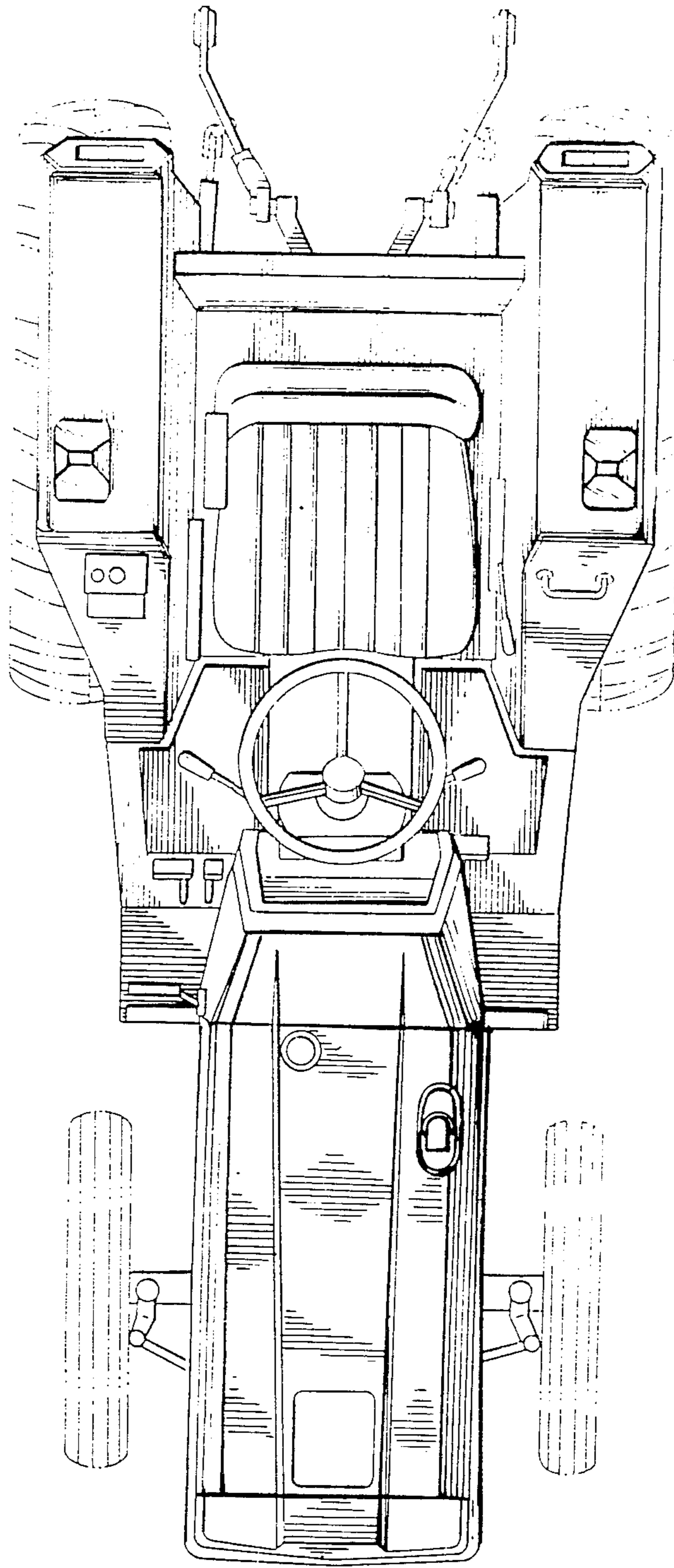
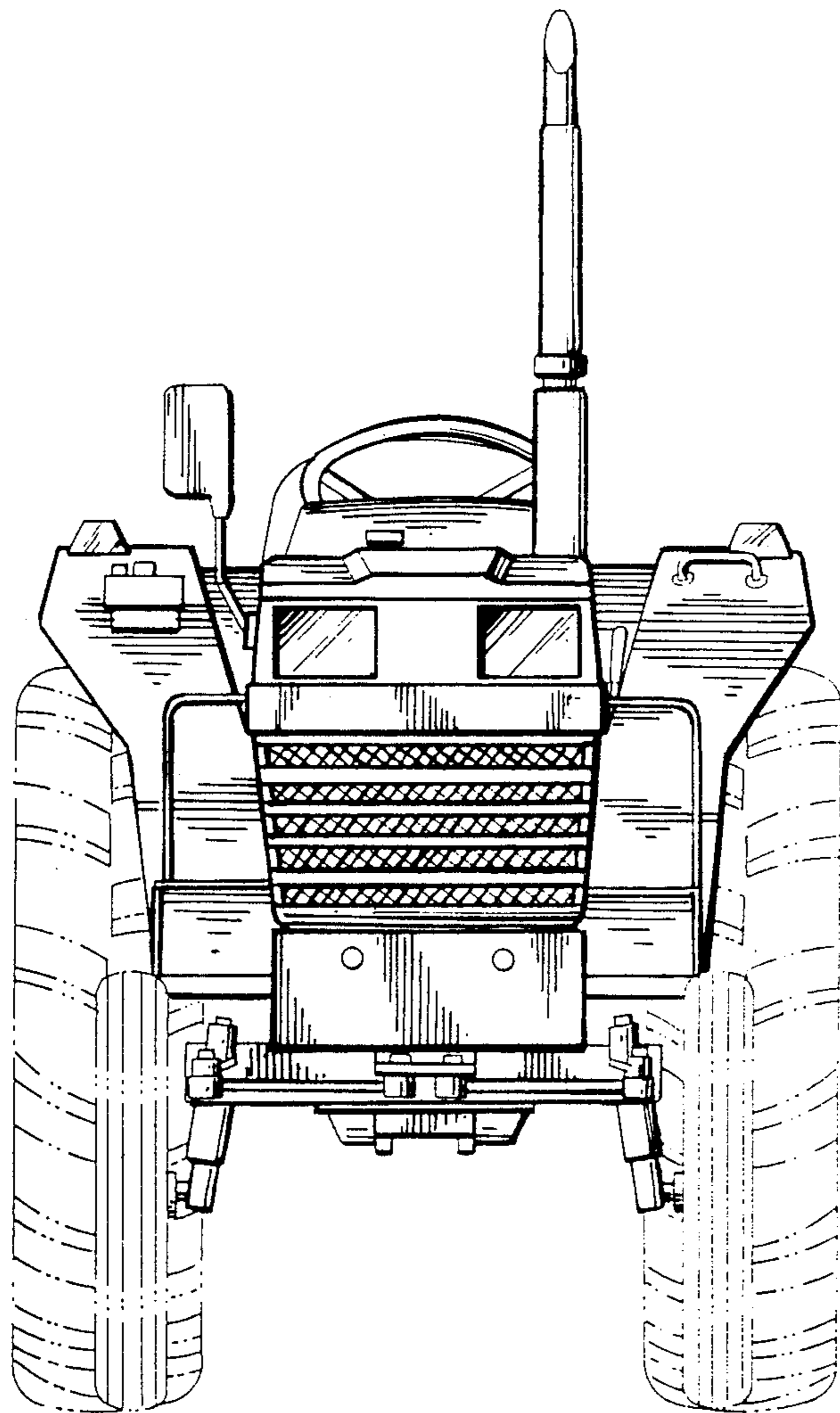


FIG. 4



F I G. 5

