

[54] VIDEO TERMINAL

[75] Inventor: Barbara K. Lewis, Sunnyvale, Calif.

[73] Assignee: Qume Corporation, San Jose, Calif.

[**] Term: 14 Years

[21] Appl. No.: 484,135

[22] Filed: Apr. 12, 1983

[52] U.S. Cl. D14/113

[58] Field of Search D14/100, 106, 113, 80, D14/77, 81, 82; 358/249, 254; 340/700, 711, 720, 706; 312/7.2

[56] References Cited

U.S. PATENT DOCUMENTS

- D. 238,512 1/1976 Boldt D14/80
- D. 256,240 8/1980 Sugikawa et al. D14/81
- D. 263,710 4/1982 Asano D14/106

OTHER PUBLICATIONS

Computer Design, 1-1982, p. 63, Wyse Technology, Inc., Tilting, Rotating Display.

Fortune Systems Brochure ©1982, Video Display. Office Power Brochure, 4-1982, front cover, display.

Primary Examiner—Susan J. Lucas

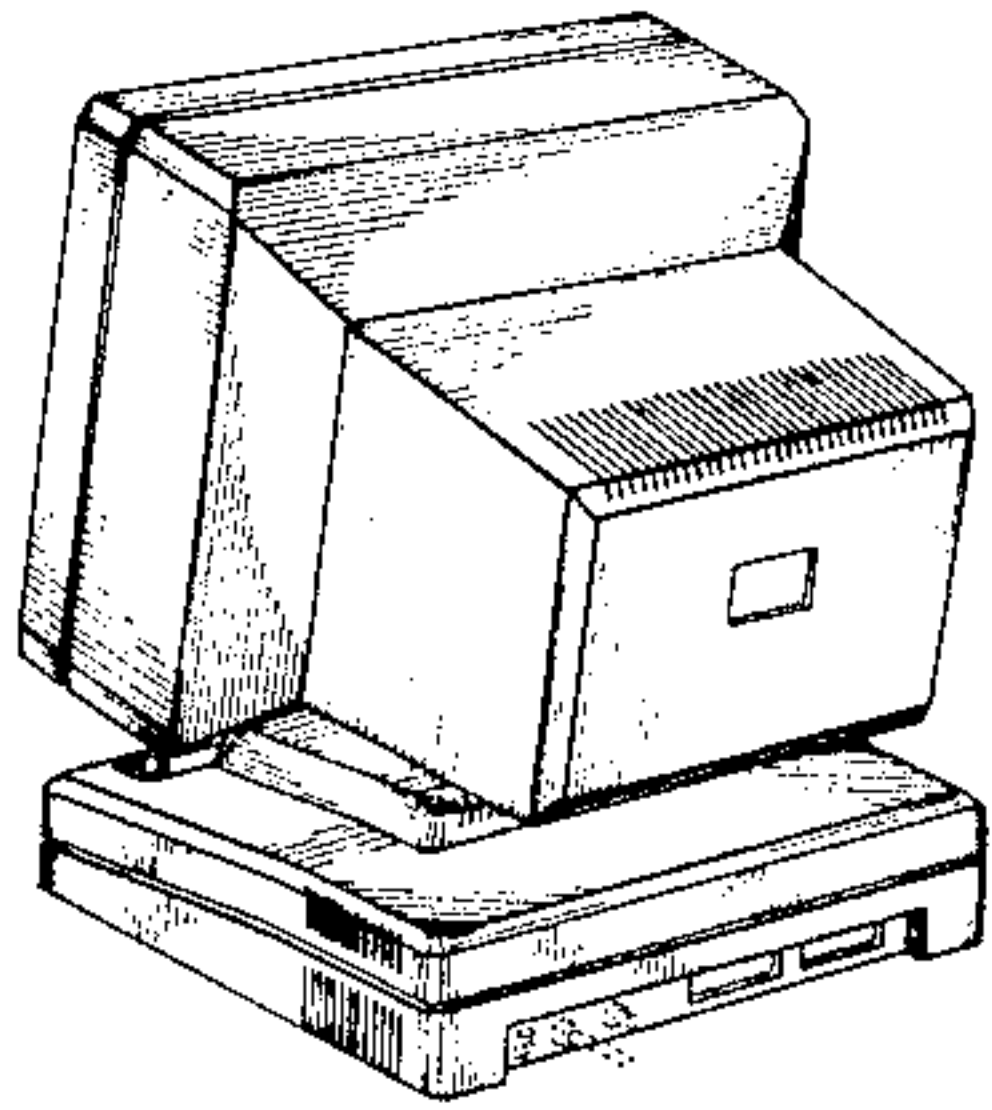
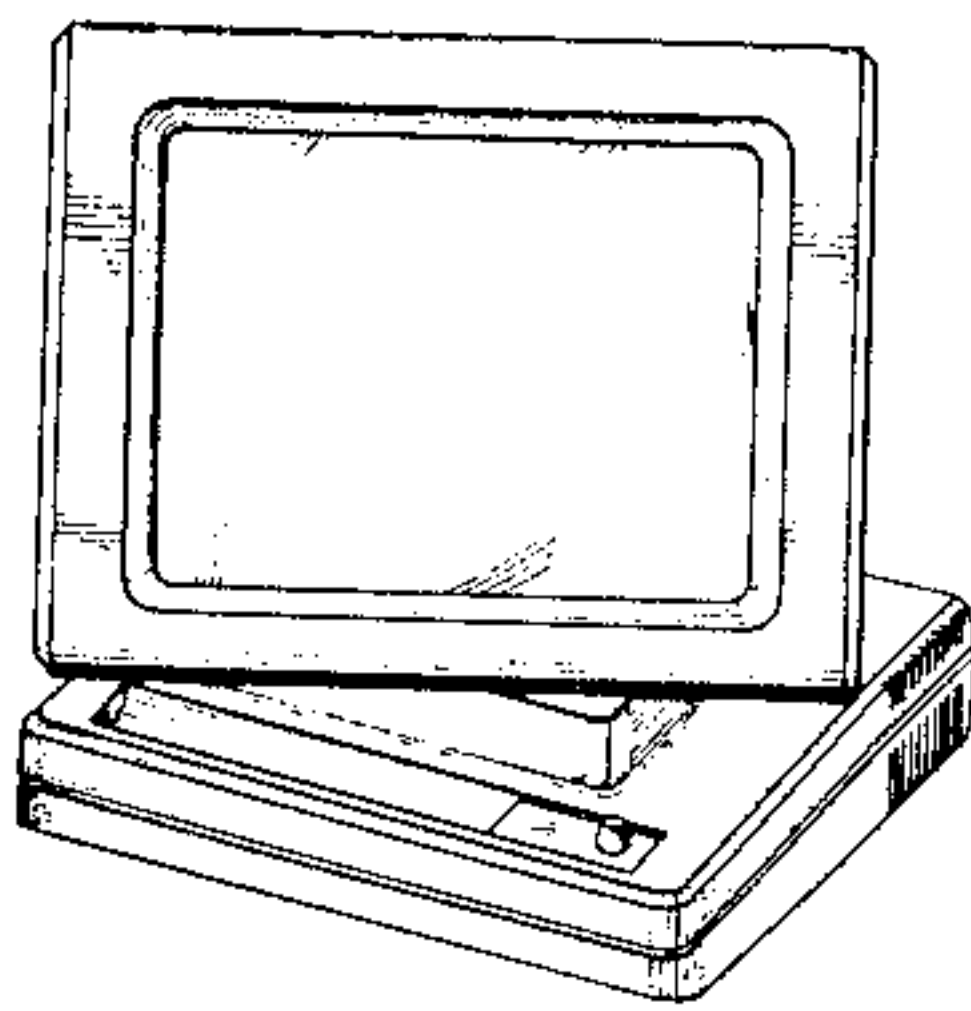
Attorney, Agent, or Firm—T. L. Peterson; J. M. May

[57] CLAIM

The ornamental design for a video terminal or similar article, substantially as shown and described.

DESCRIPTION

FIG. 1 is a front elevational view of a video terminal or similar article showing my new design;
 FIG. 2 is a right side elevational view thereof;
 FIG. 3 is a top plan view thereof;
 FIG. 4 is a bottom plan view thereof;
 FIG. 5 is a left side elevational view thereof, the screen being tilted forwardly relative to the base;
 FIG. 6 is a right side elevational view thereof, the screen being tilted rearwardly relative to the base;
 FIG. 7 is a front perspective view thereof on a reduced scale, the screen being turned to one side;
 FIG. 8 is a rear perspective view thereof on a reduced scale, a power switch, fuse and power cable being shown in broken lines for illustrative purposes only.



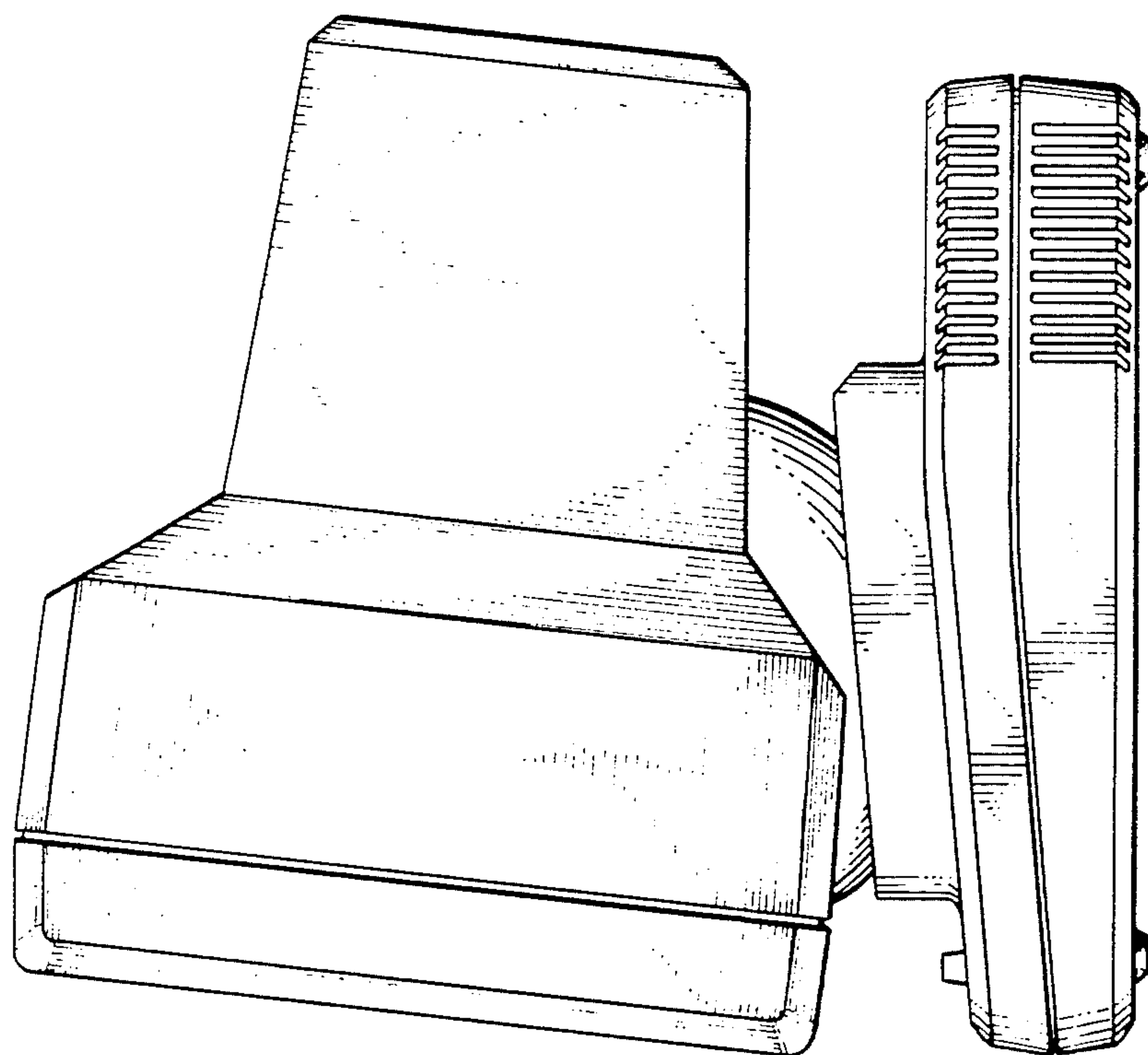


FIG. 2

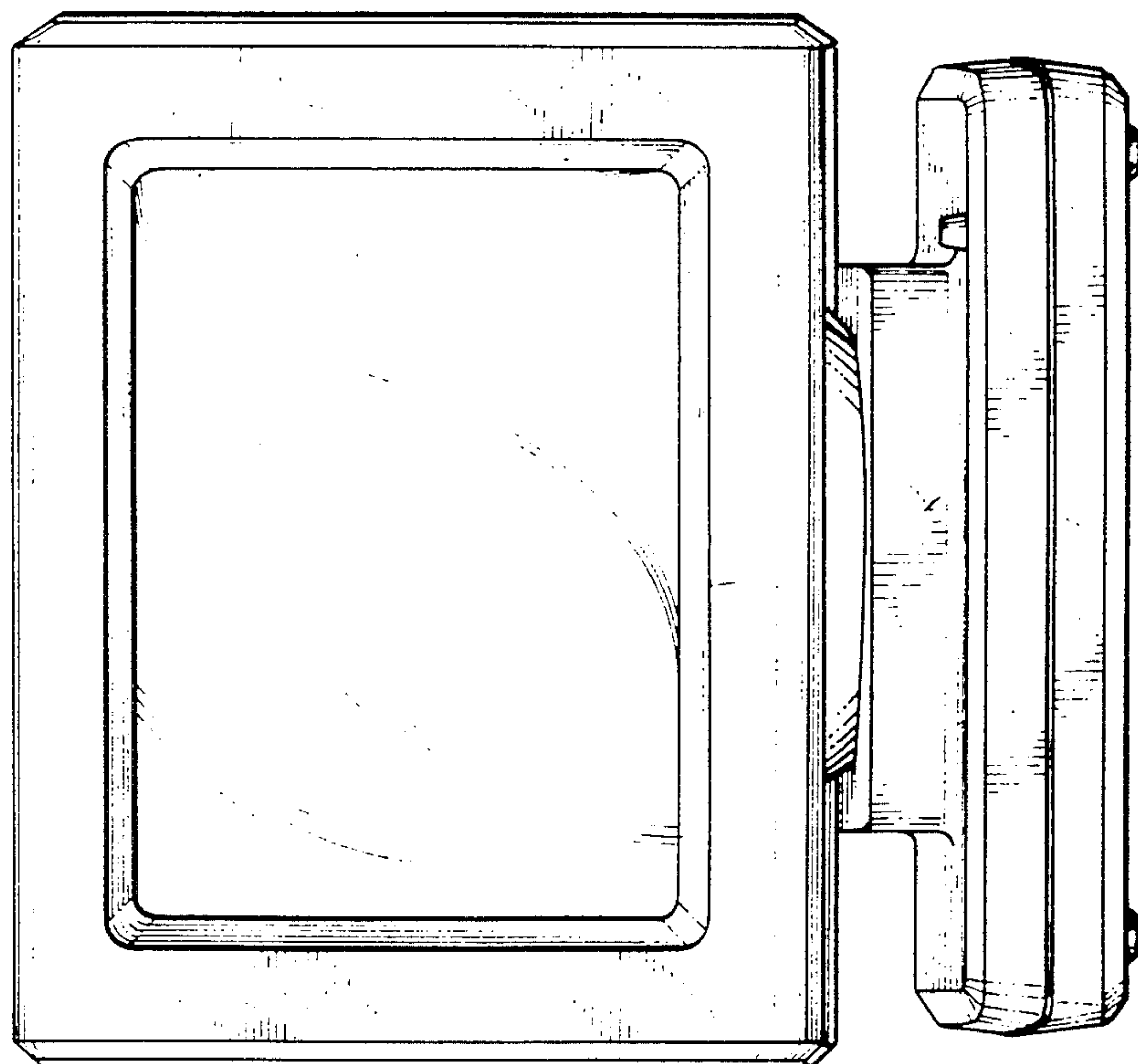


FIG. 1

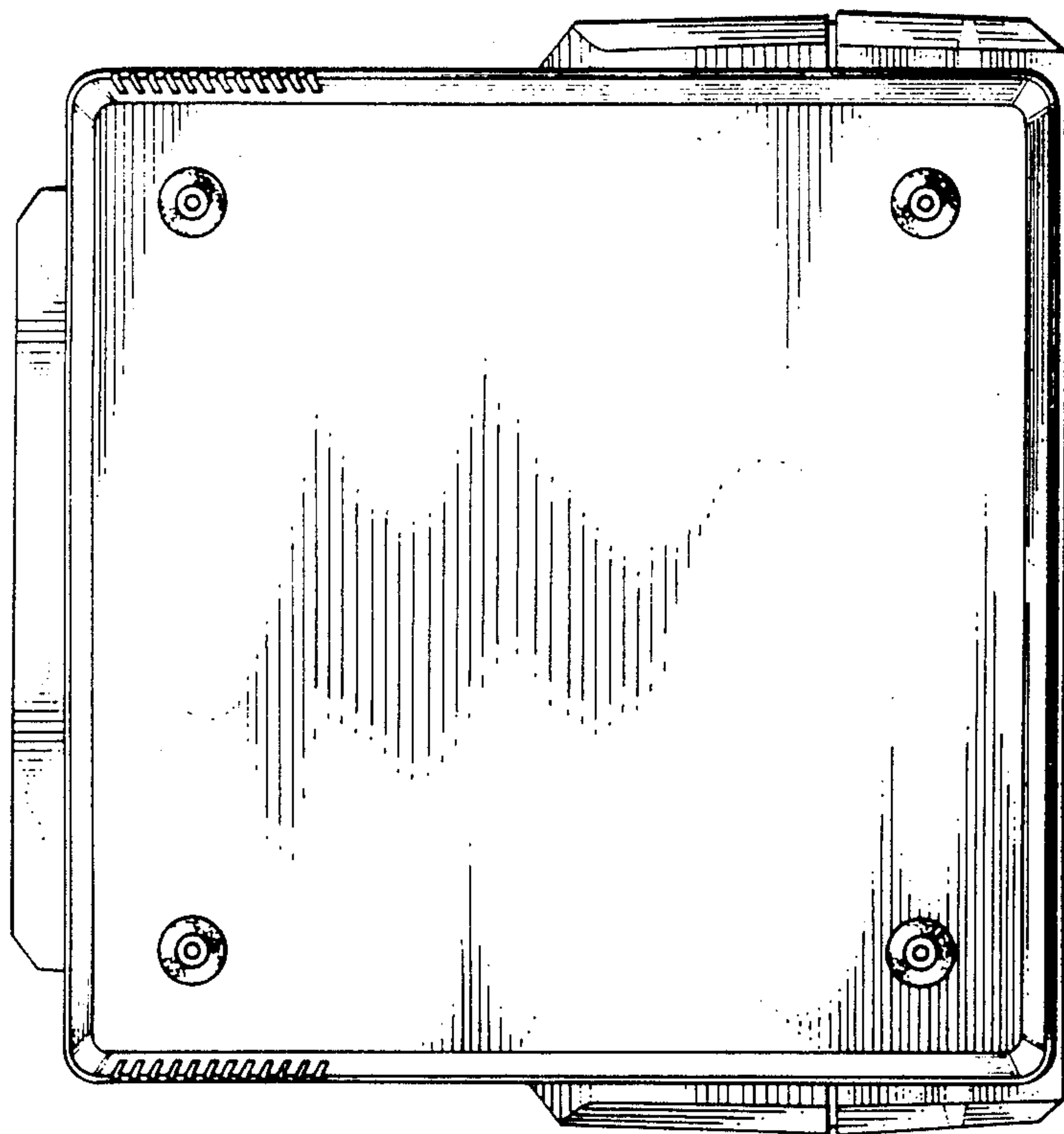


FIG. 4

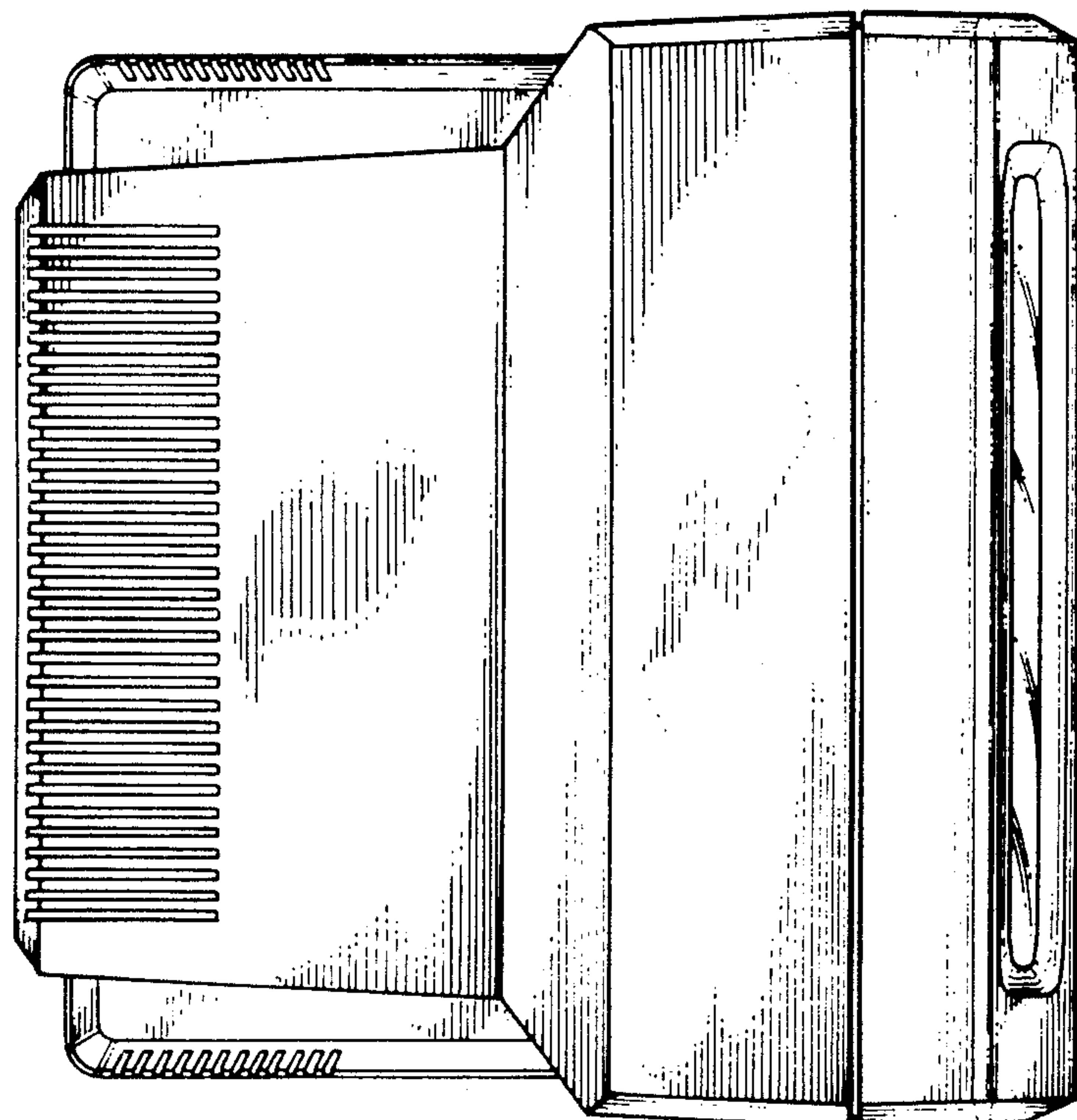


FIG. 3

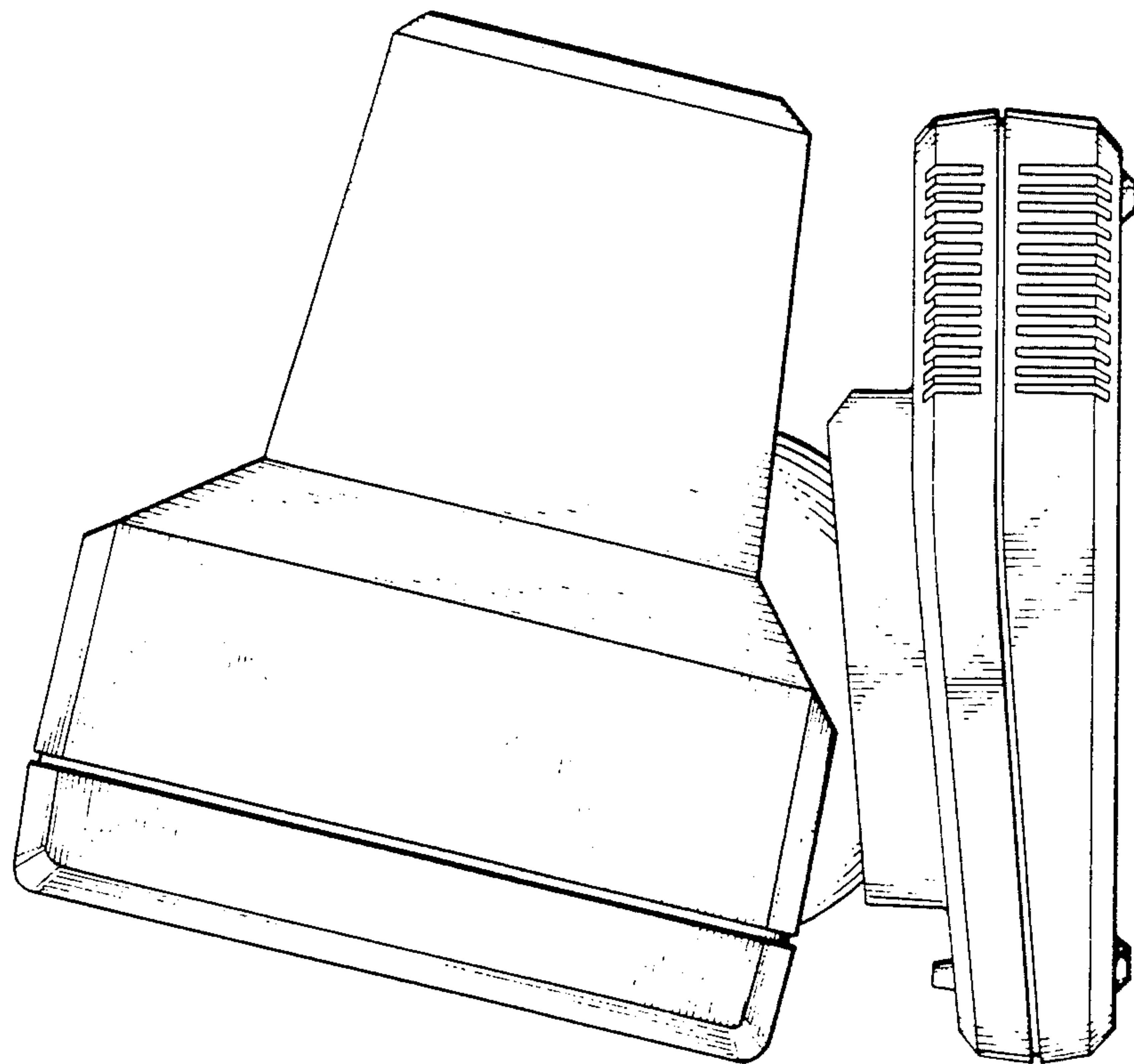


FIG. 6

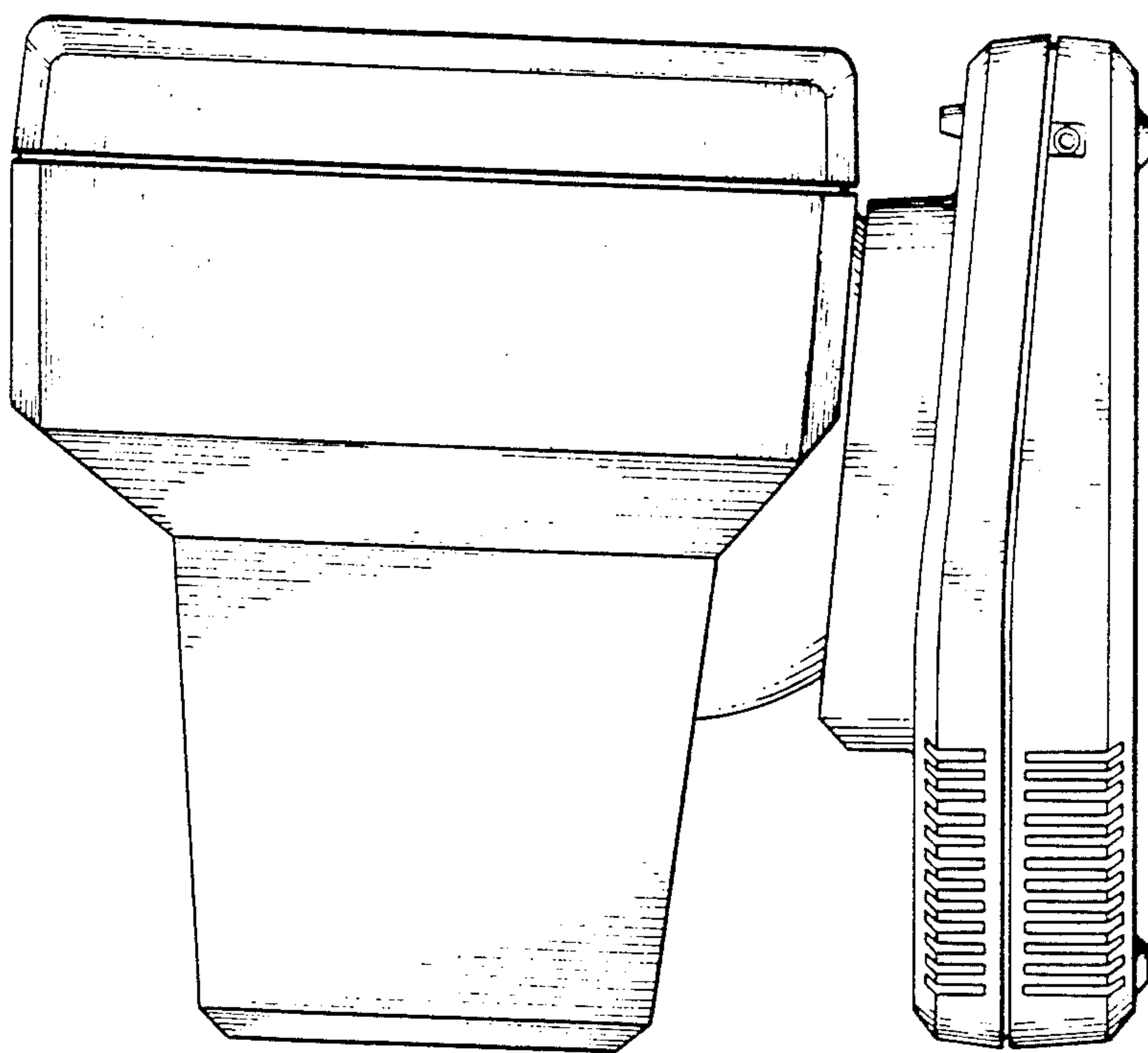


FIG. 5

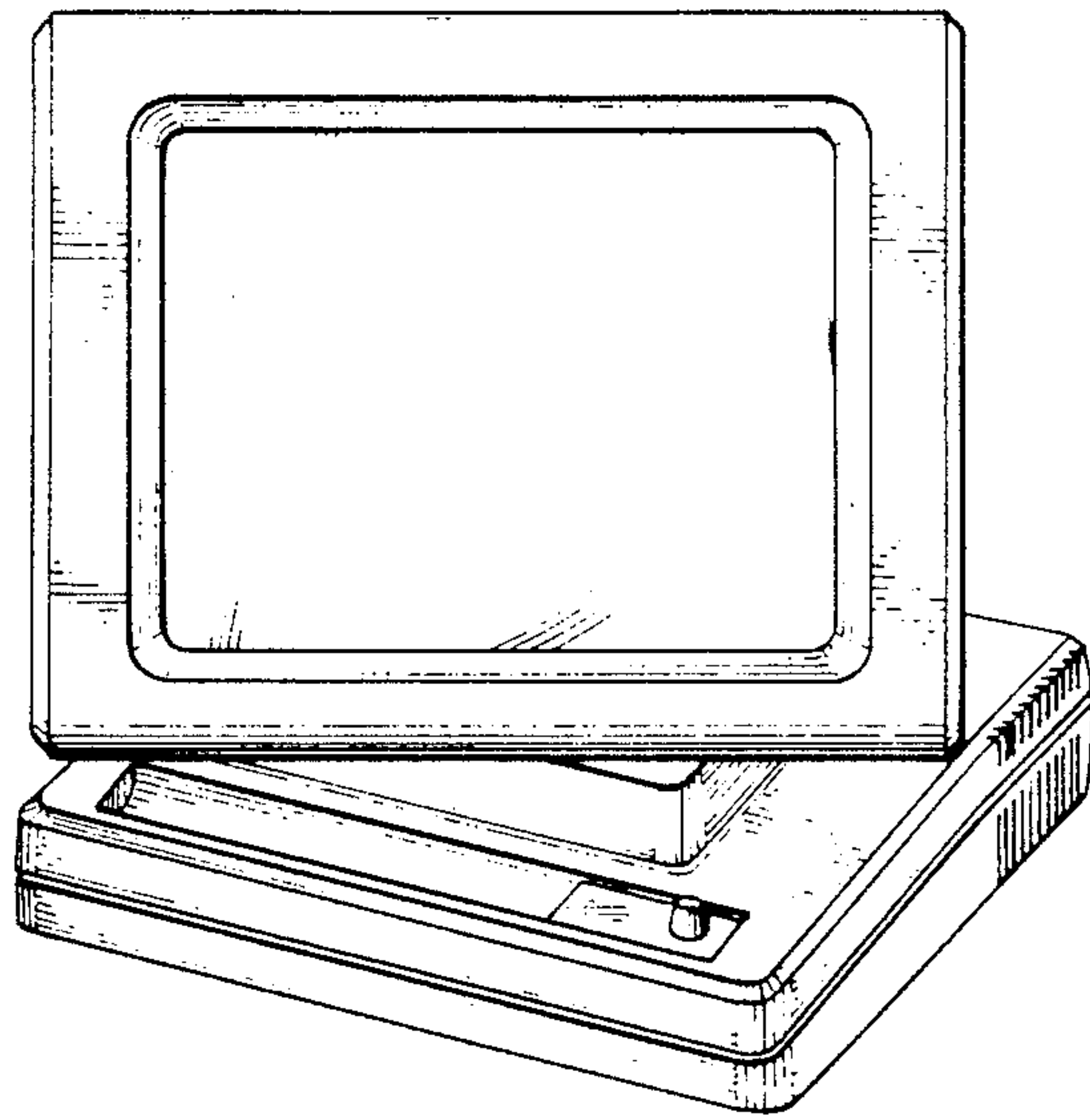


FIG. 7

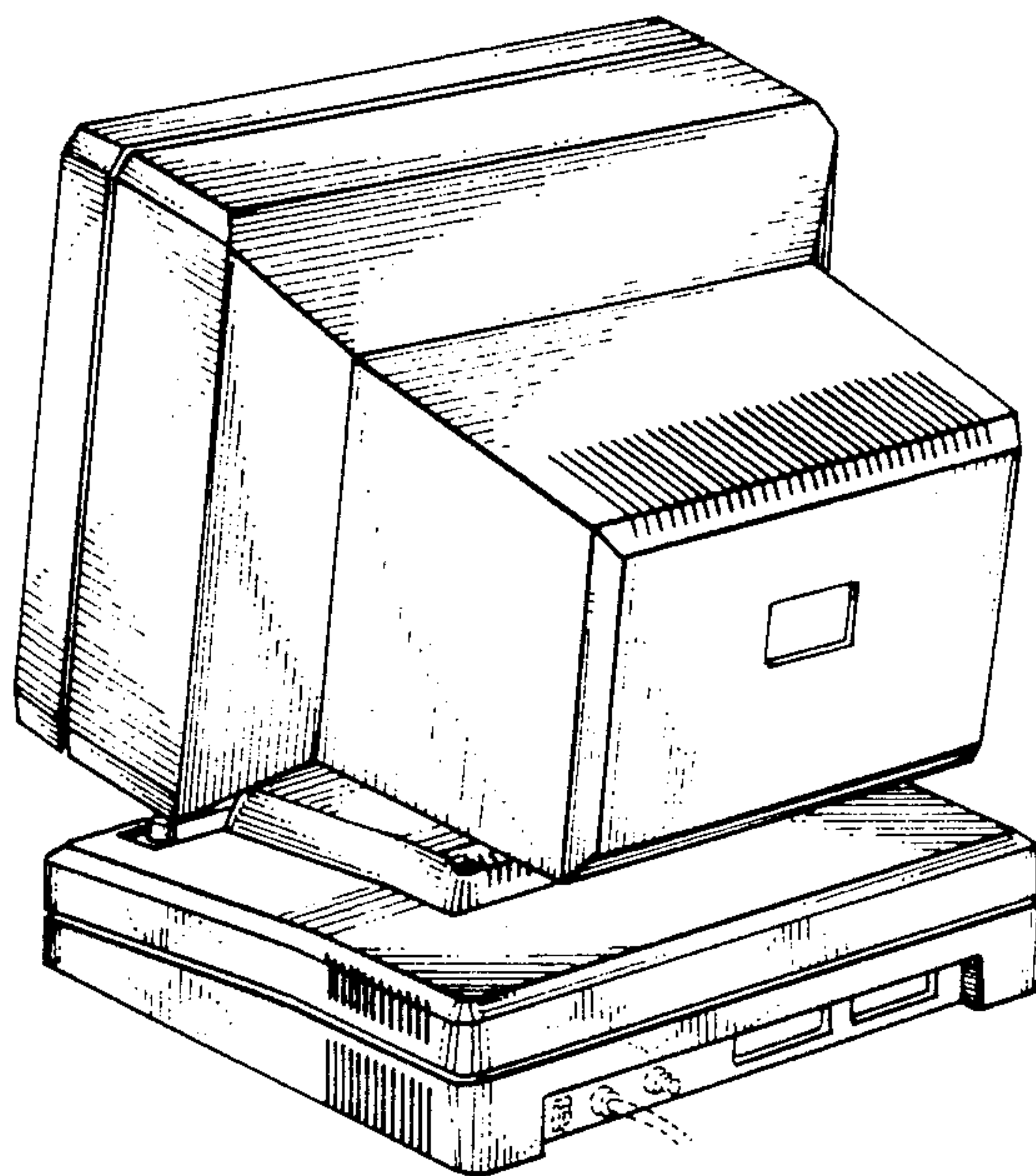


FIG. 8