

[54] **AUTOMOBILE FRONT FENDER**

[75] **Inventor: Takayasu Matsui, Tokyo, Japan**

[73] **Assignee: Nissan Motor Co., Ltd., Yokohama, Japan**

[**] **Term: 14 Years**

[21] **Appl. No.: 483,298**

[22] **Filed: Apr. 8, 1983**

[52] **U.S. Cl. D12/184**

[58] **Field of Search D12/184; 280/152 R, 280/153 R**

[56] **References Cited
PUBLICATIONS**

Road & Track, 10/82, p. 32, Citroen XB Hatchback Front Fender, bottom of page.

Road & Track, 2/82, p. 110, Nissan Skyline Front Fender, bottom of page.

Primary Examiner—James M. Gandy
Attorney, Agent, or Firm—Schwartz, Jeffery, Schwaab, Mack, Blumenthal & Evans

[57] **CLAIM**

The ornamental design for an automobile front fender, as shown.

DESCRIPTION

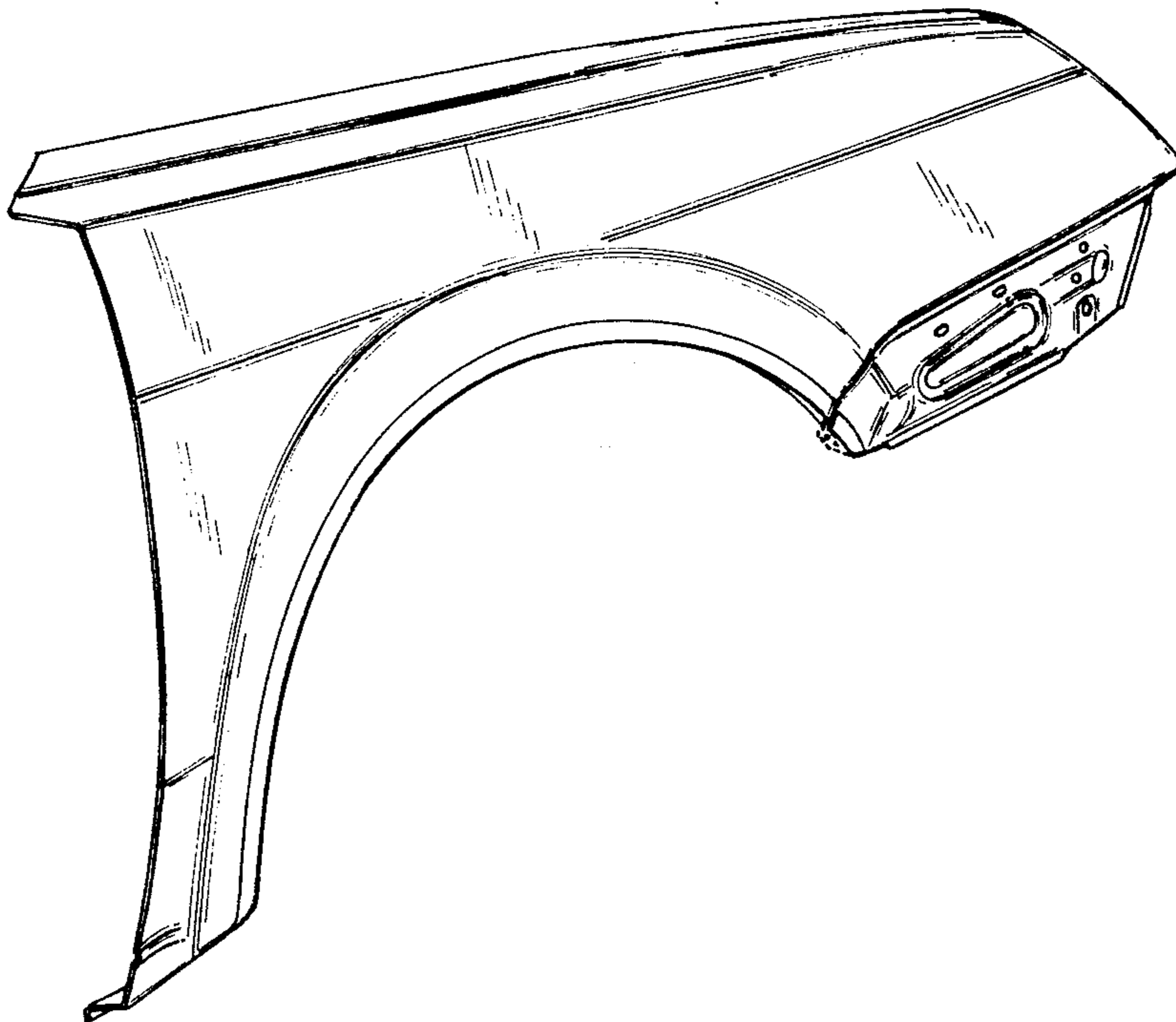
FIG. 1 is a perspective view of an automobile front fender showing my new design;

FIG. 2 is a front elevation view thereof;

FIG. 3 is a side elevation view thereof;

FIG. 4 is a top plan view thereof;

FIG. 5 is a bottom plan view thereof.



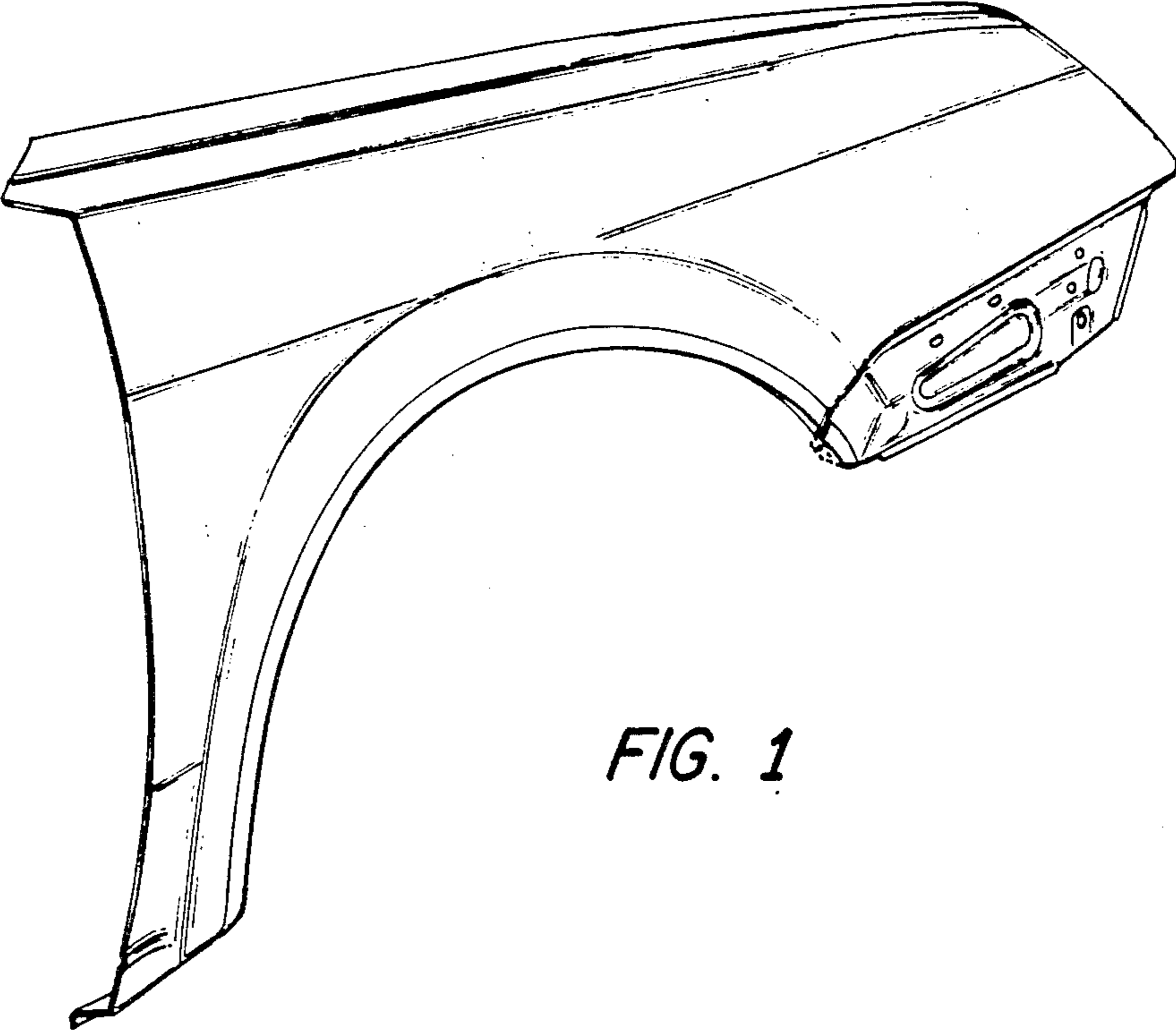


FIG. 1

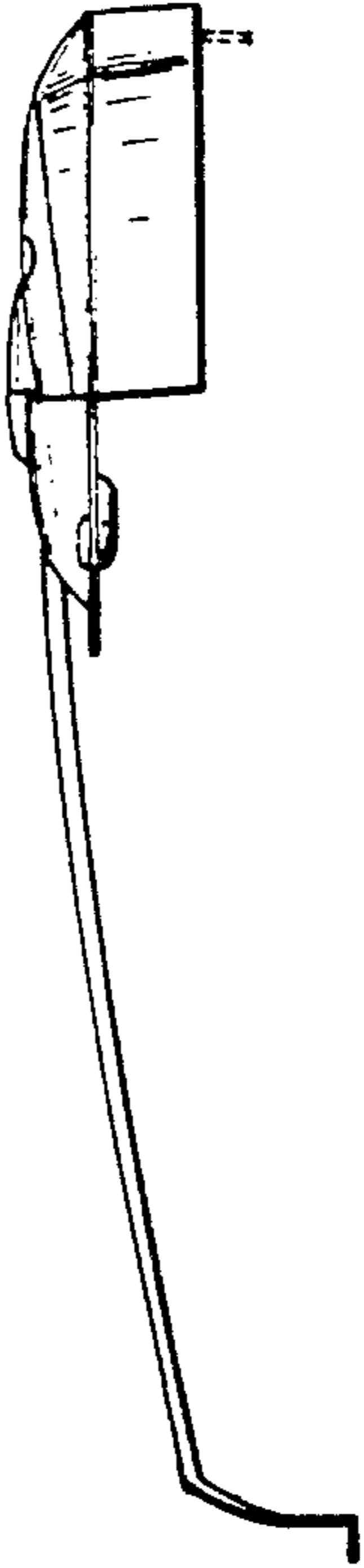


FIG. 2

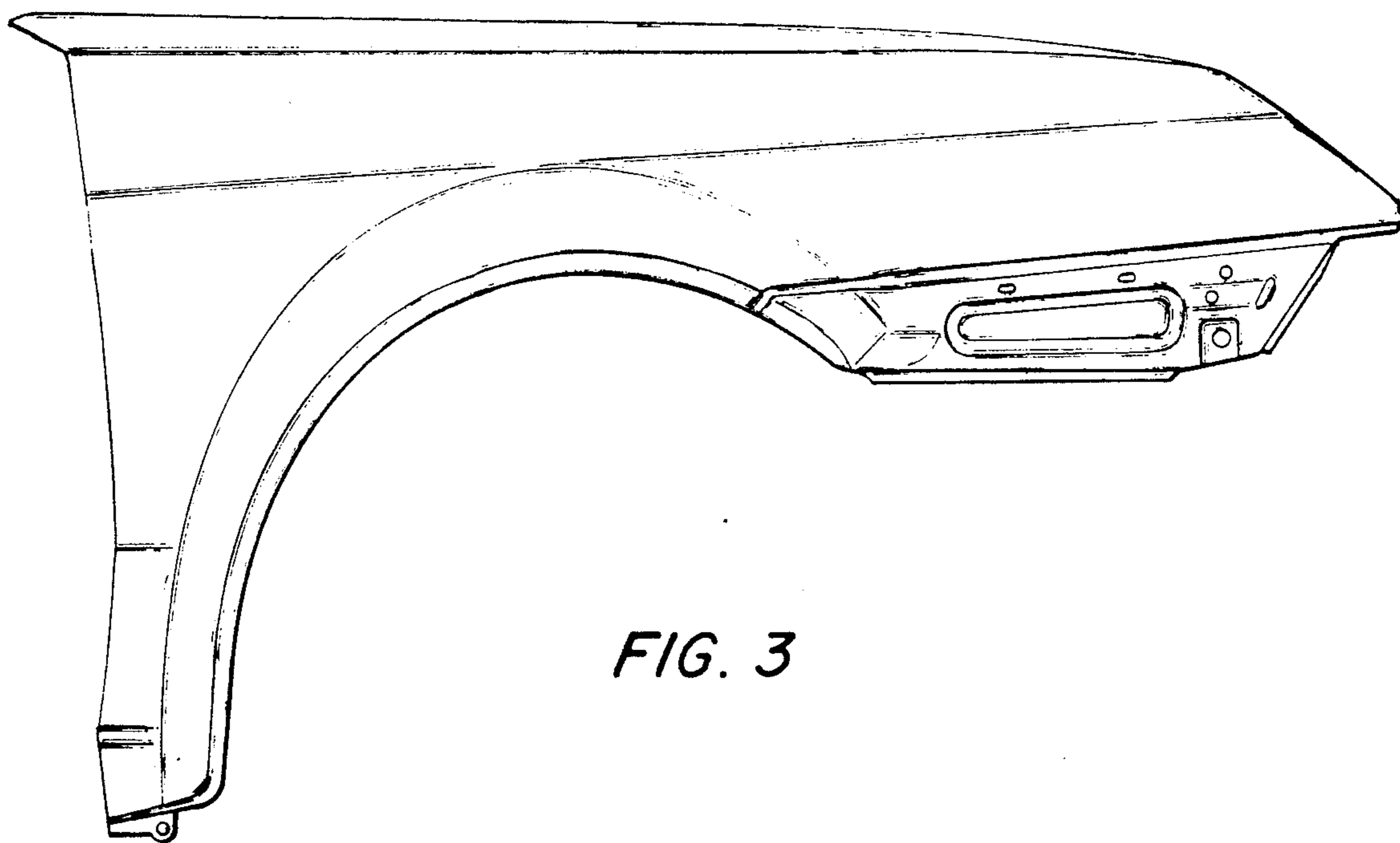


FIG. 3

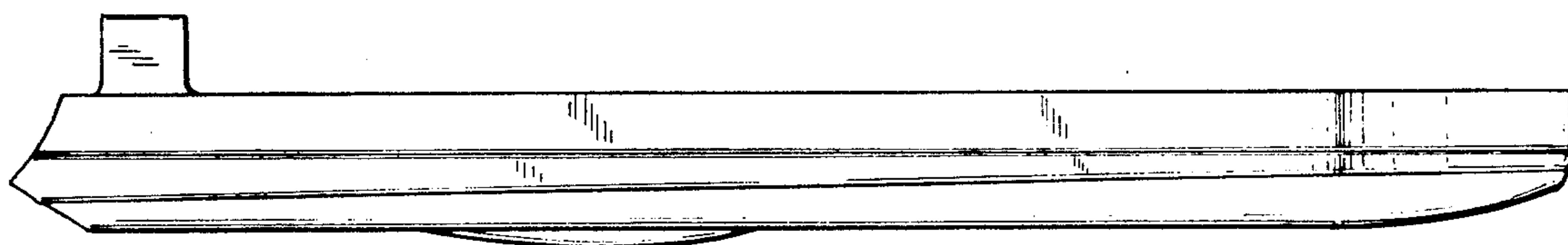


FIG. 4

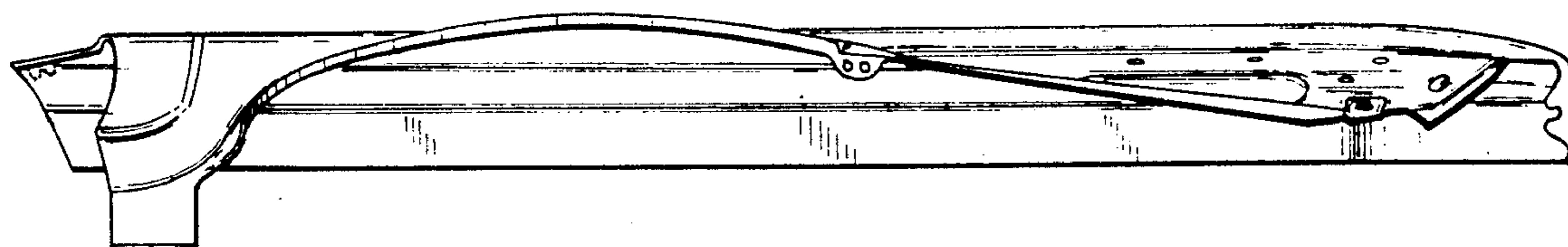


FIG. 5