

[54] PROGRAMMABLE LIGHT TIMING SWITCH FOR MOUNTING ON AN ELECTRICAL OUTLET

[75] Inventor: Richard L. Hoogner, Sunnyvale, Calif.

[73] Assignee: Security Switch Ltd., San Ramon, Calif.

[**] Term: 14 Years

[21] Appl. No.: 479,383

[22] Filed: Mar. 29, 1983

[52] U.S. Cl. D10/40; D13/12

[58] Field of Search D10/40, 12; D13/32, D13/40, 41; 200/50.09, 51 R, 51 LM

[56] References Cited

U.S. PATENT DOCUMENTS

D. 133,995	10/1942	Franks	D10/40
D. 216,017	11/1969	Podall	D10/40
D. 218,070	7/1970	Edelman	D10/40
D. 234,215	1/1975	Felske	D10/40
4,131,870	12/1978	Hilgendorf et al.	D13/32

OTHER PUBLICATIONS

Home Furnishings Daily, 5-9-1963, p. 25, Alluralite Portable Electronic Light Control.

Primary Examiner—Wallace R. Burke

Assistant Examiner—Lynn Wilder

Attorney, Agent, or Firm—Thomas S. MacDonald; Alan H. MacPherson; Steven F. Caserza

[57] CLAIM

The ornamental design for a programmable light timing switch for mounting on an electrical outlet, substantially as shown and described.

DESCRIPTION

FIG. 1 is an isometric view of the programmable light timing switch for mounting on an electrical outlet showing my new design;

FIG. 2 is a top plan view thereof;

FIG. 3 is an elevational view of one side, the opposite side being a mirror image;

FIG. 4 is a bottom plan view thereof;

FIG. 5 is an end elevational view thereof;

FIG. 6 is an elevational view thereof opposite that shown in FIG. 5.

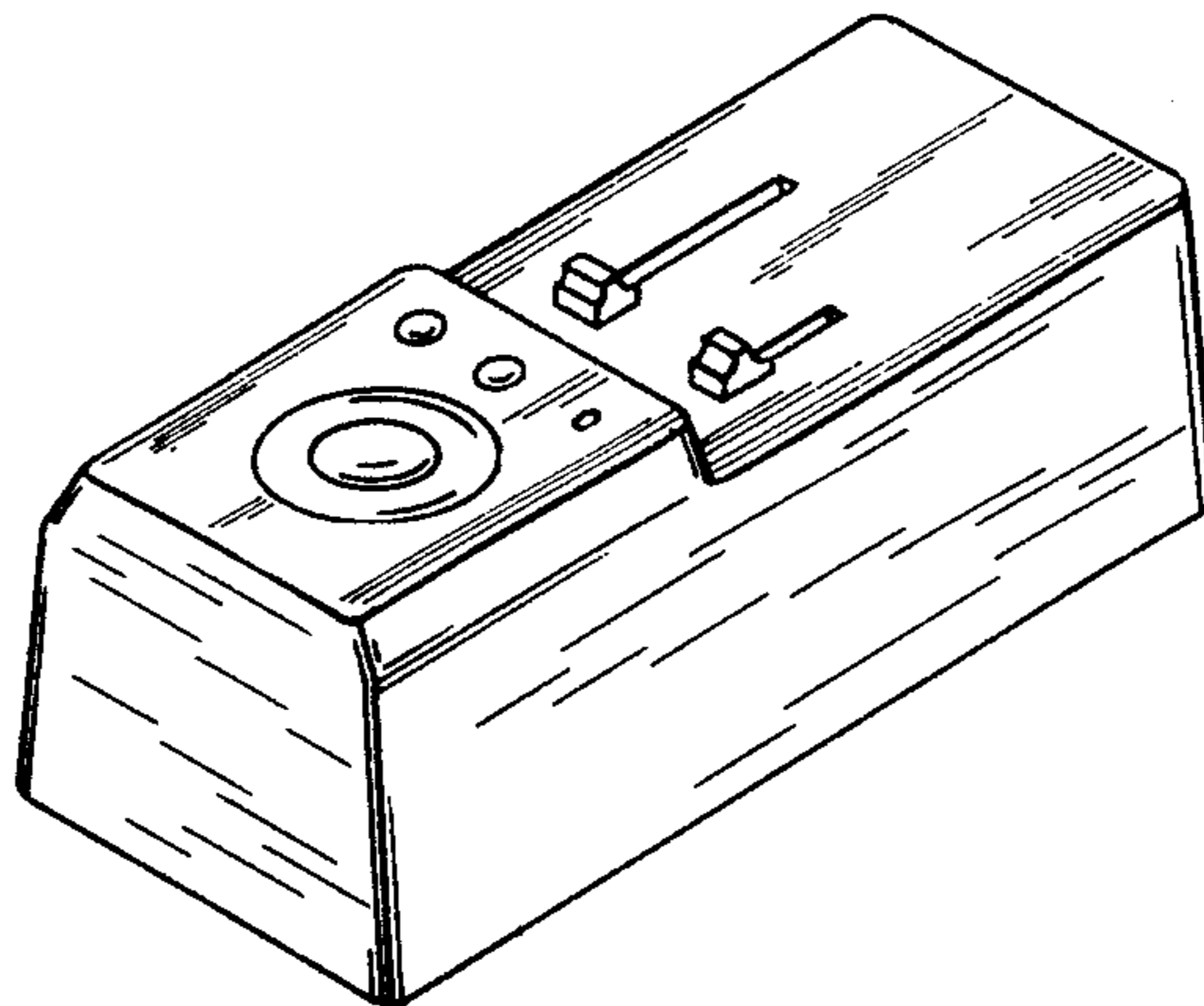


FIG. 1

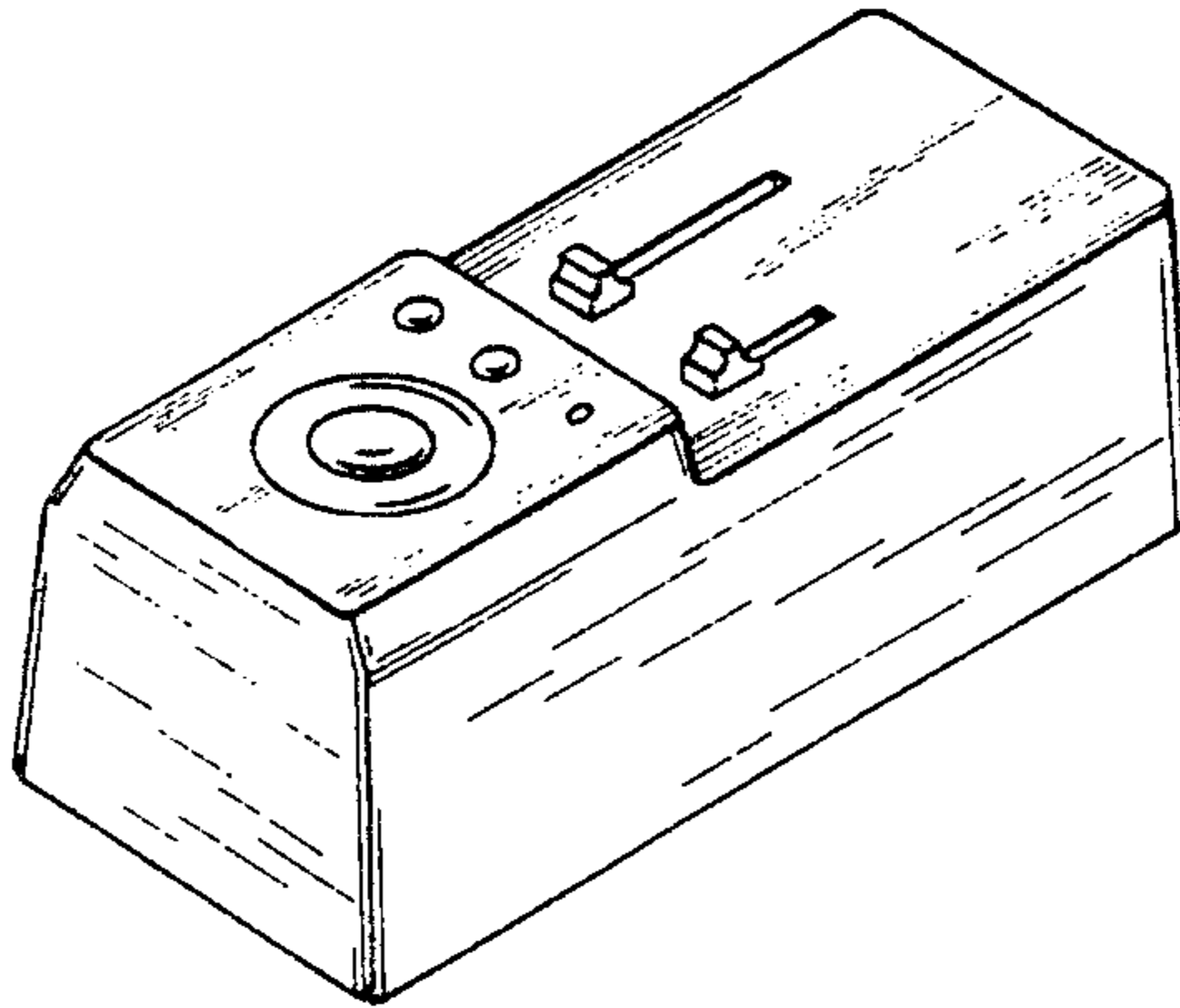


FIG. 2

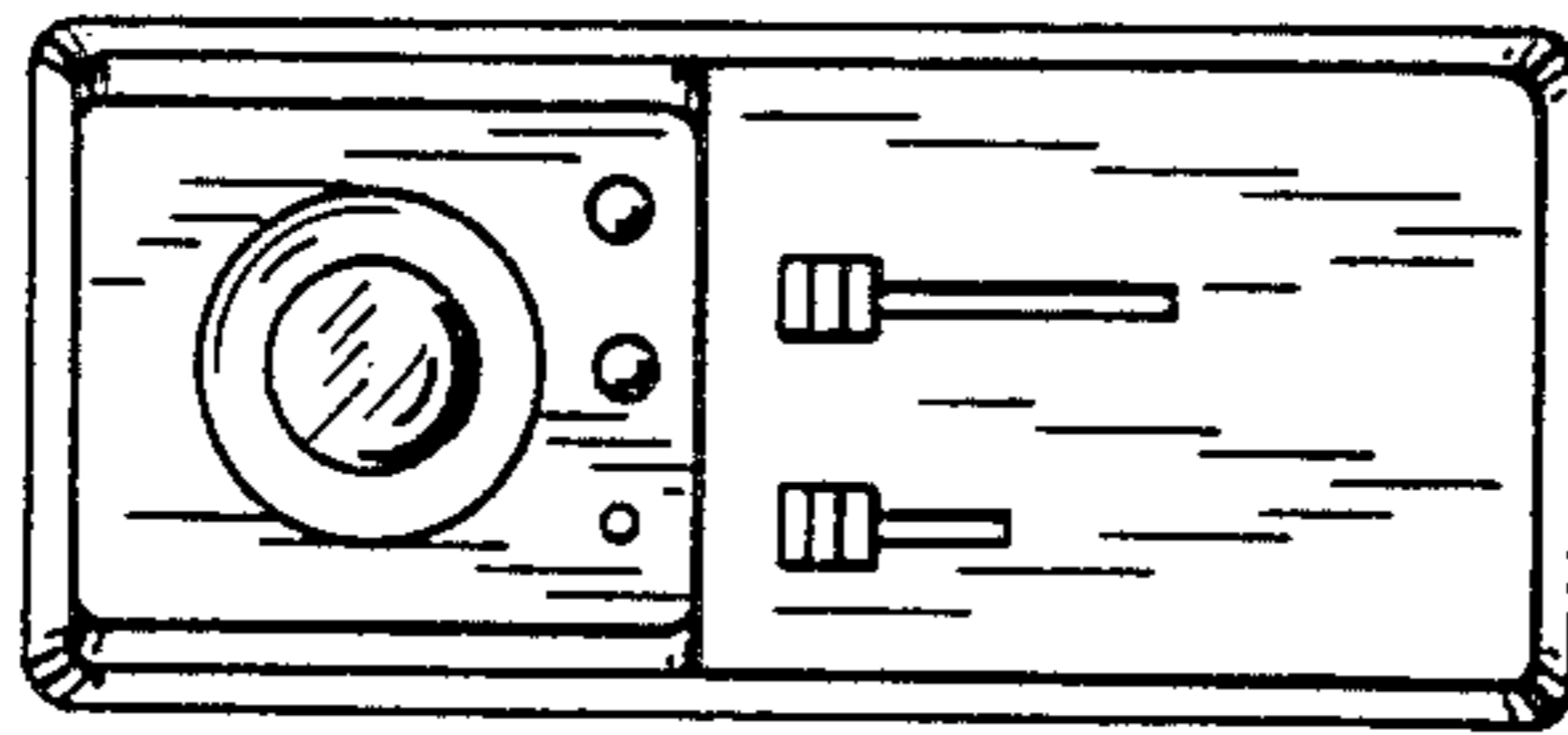


FIG. 3

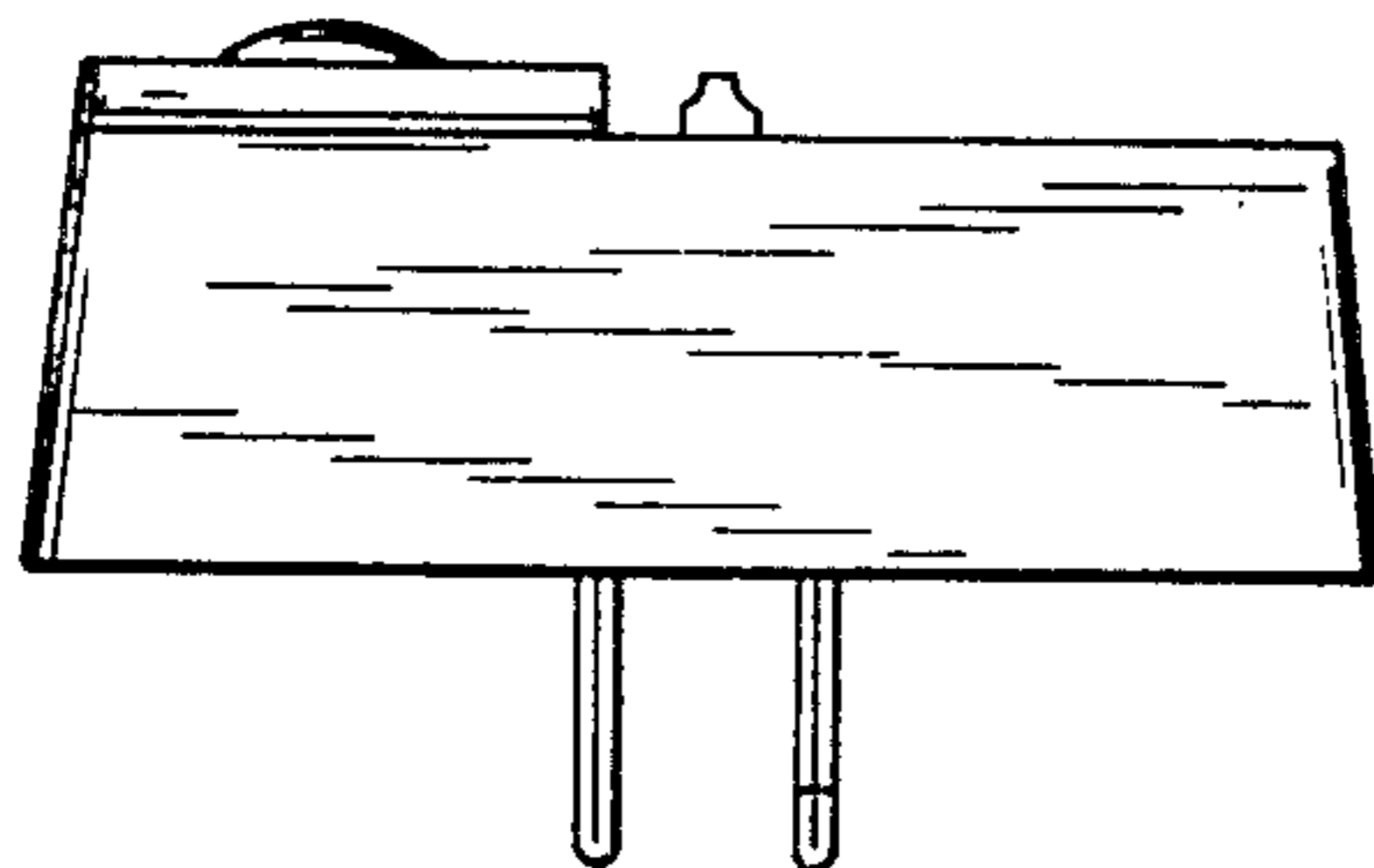


FIG. 4

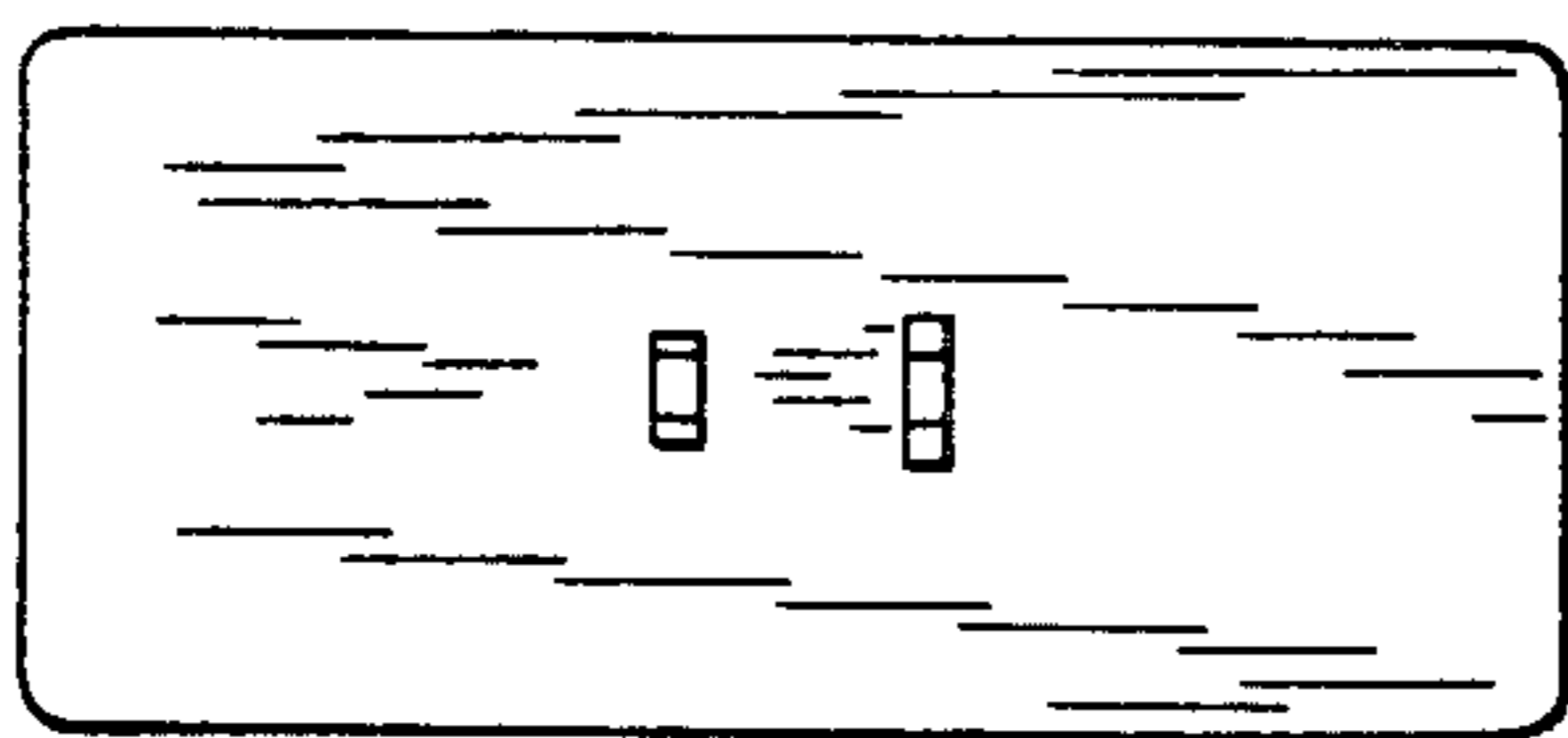


FIG. 5

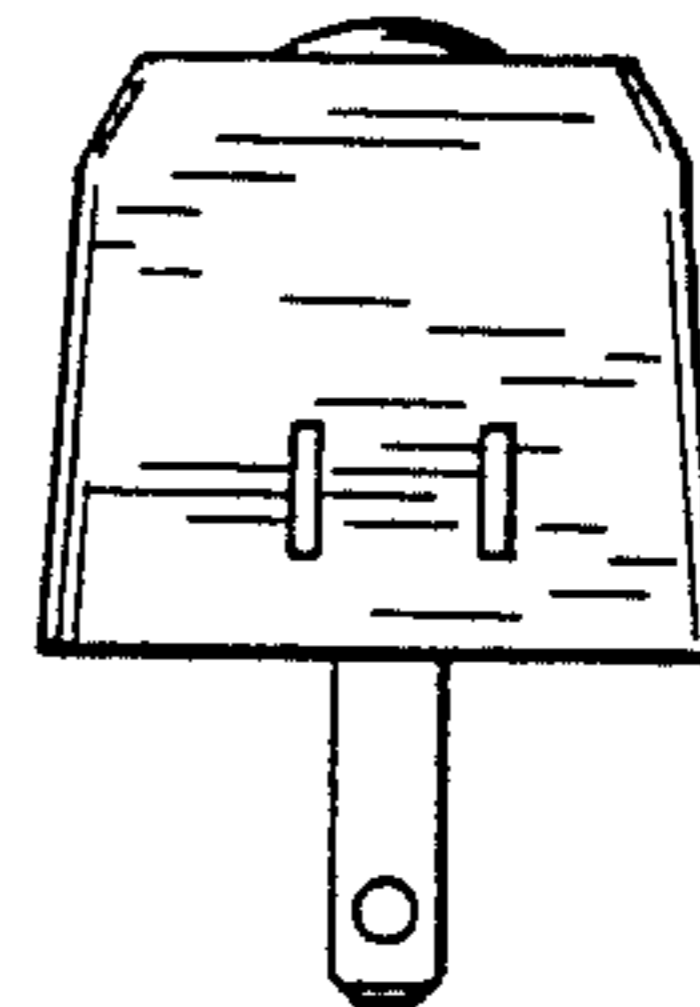


FIG. 6

