

[54] **PROGRAMMABLE LIGHT TIMING SWITCH**

[75] **Inventor:** Richard L. Hoogner, Sunnyvale, Calif.
[73] **Assignee:** Security Switch Ltd., San Ramon, Calif.
[**] **Term:** 14 Years
[21] **Appl. No.:** 479,374

[22] **Filed:** Mar. 28, 1983
[52] **U.S. Cl.** D10/40
[58] **Field of Search** D10/40; D13/12, 32, D13/40, 41; 200/50.09, 51 R, 51 LM

[56] **References Cited**
U.S. PATENT DOCUMENTS
D. 193,279 7/1962 Palmer D10/40
D. 210,593 3/1968 Kahn D10/40
D. 218,070 7/1970 Edelman D10/40
D. 270,715 9/1983 Perethian D10/40
4,131,870 12/1978 Hilgendorf D13/32

OTHER PUBLICATIONS

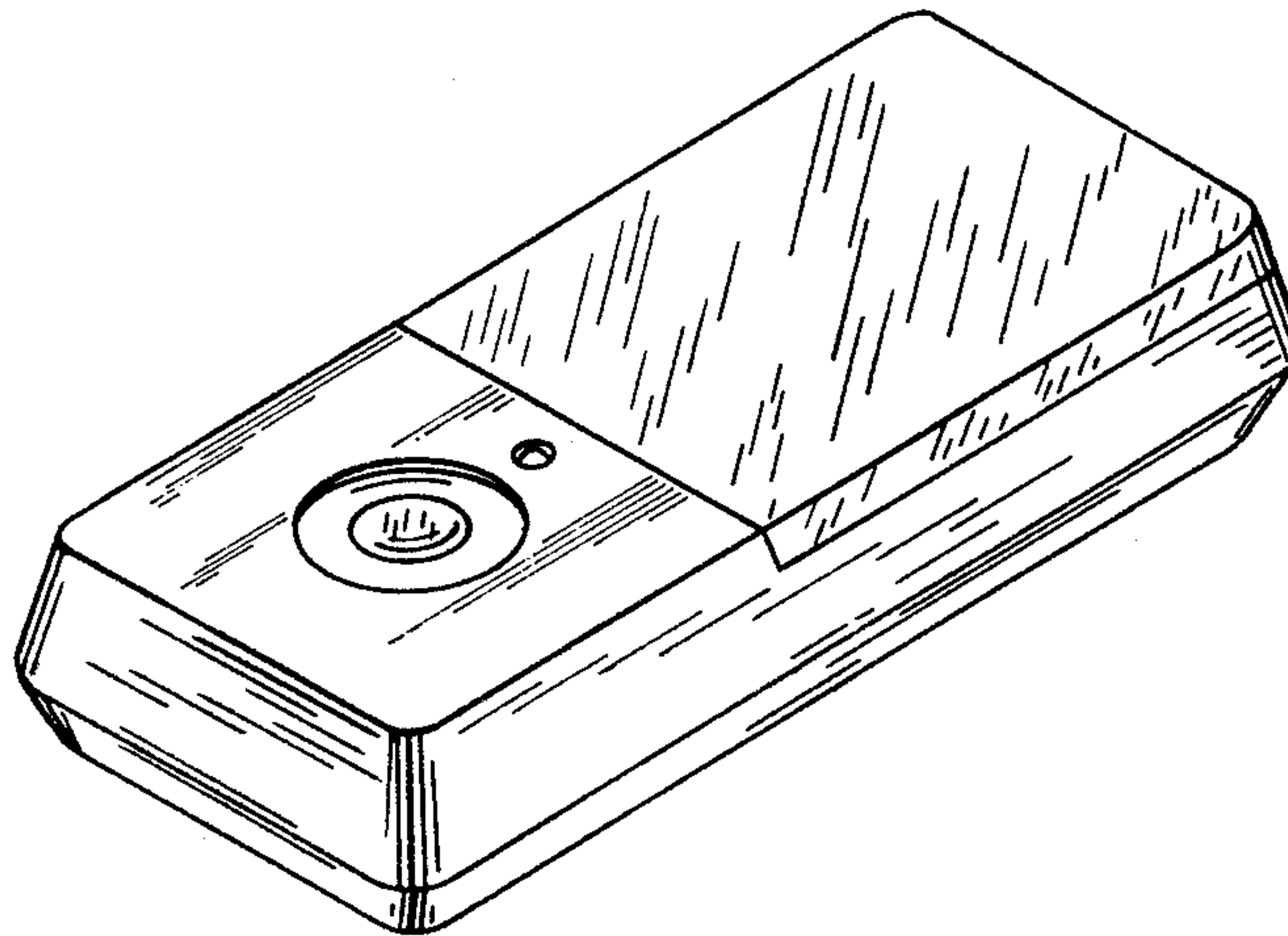
Home Furnishings Daily, 5-9-63, p. 25, Alluralite Portable Electronic Light Control.
Primary Examiner—Wallace R. Burke
Assistant Examiner—Lynn Wilder
Attorney, Agent, or Firm—Thomas S. MacDonald; Alan H. MacPherson; Steven F. Caserza

[57] **CLAIM**

The ornamental design for a programmable light timing switch, substantially as shown and described.

DESCRIPTION

FIG. 1 is an isometric view of the programmable light timing switch showing my new design;
FIG. 2 is a top plan view thereof;
FIG. 3 is a side elevational view thereof;
FIG. 4 is a side elevational view thereof, opposite that shown in FIG. 3;
FIG. 5 is a bottom plan view thereof;
FIG. 6 is an end elevational view thereof;
FIG. 7 is an end elevational view thereof, opposite that shown in FIG. 6;
FIG. 8 is a top plan view thereof, with the hinged translucent top cover in the open position; and
FIG. 9 is an end elevational view thereof.



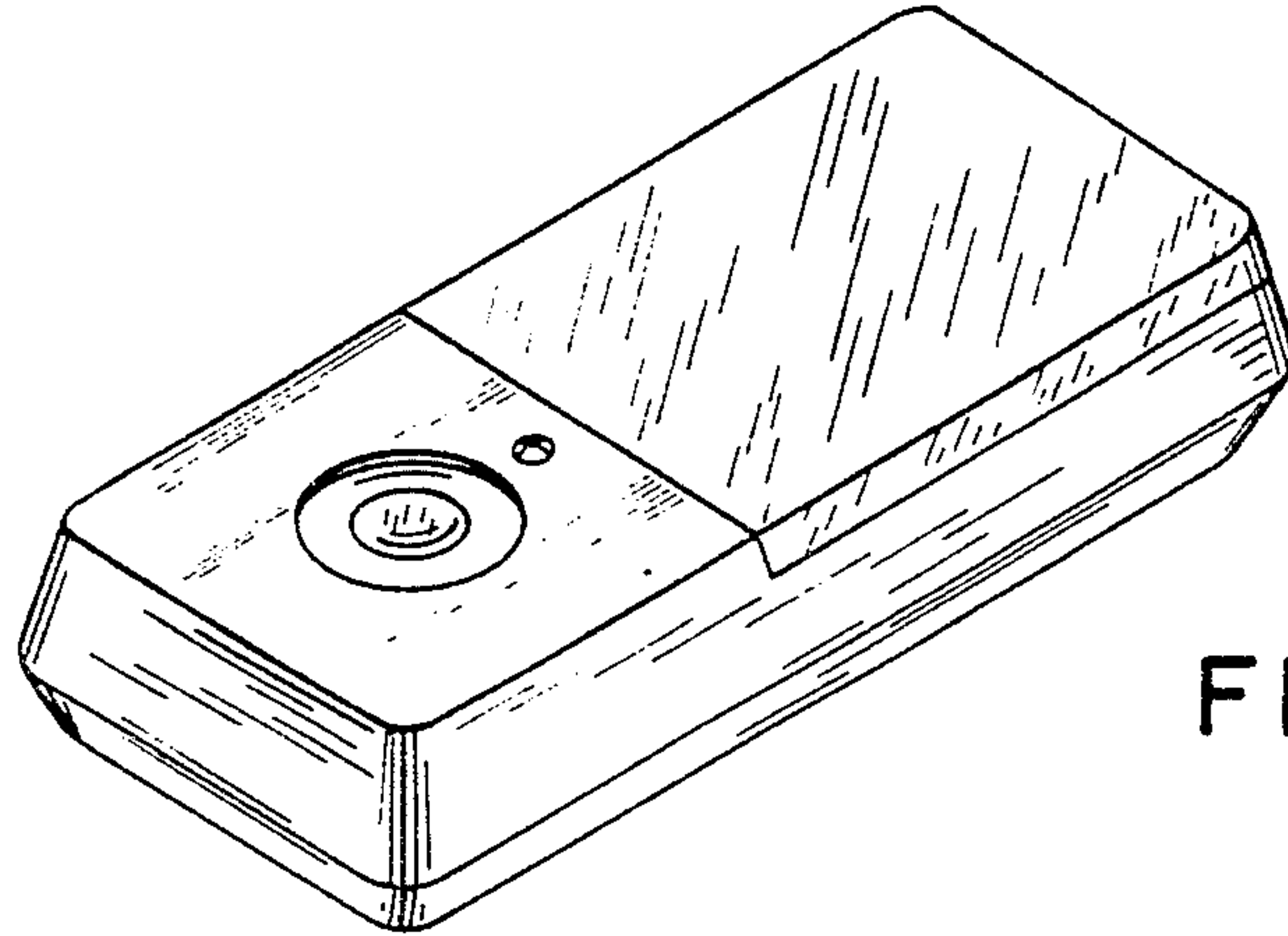


FIG. 1

FIG. 2

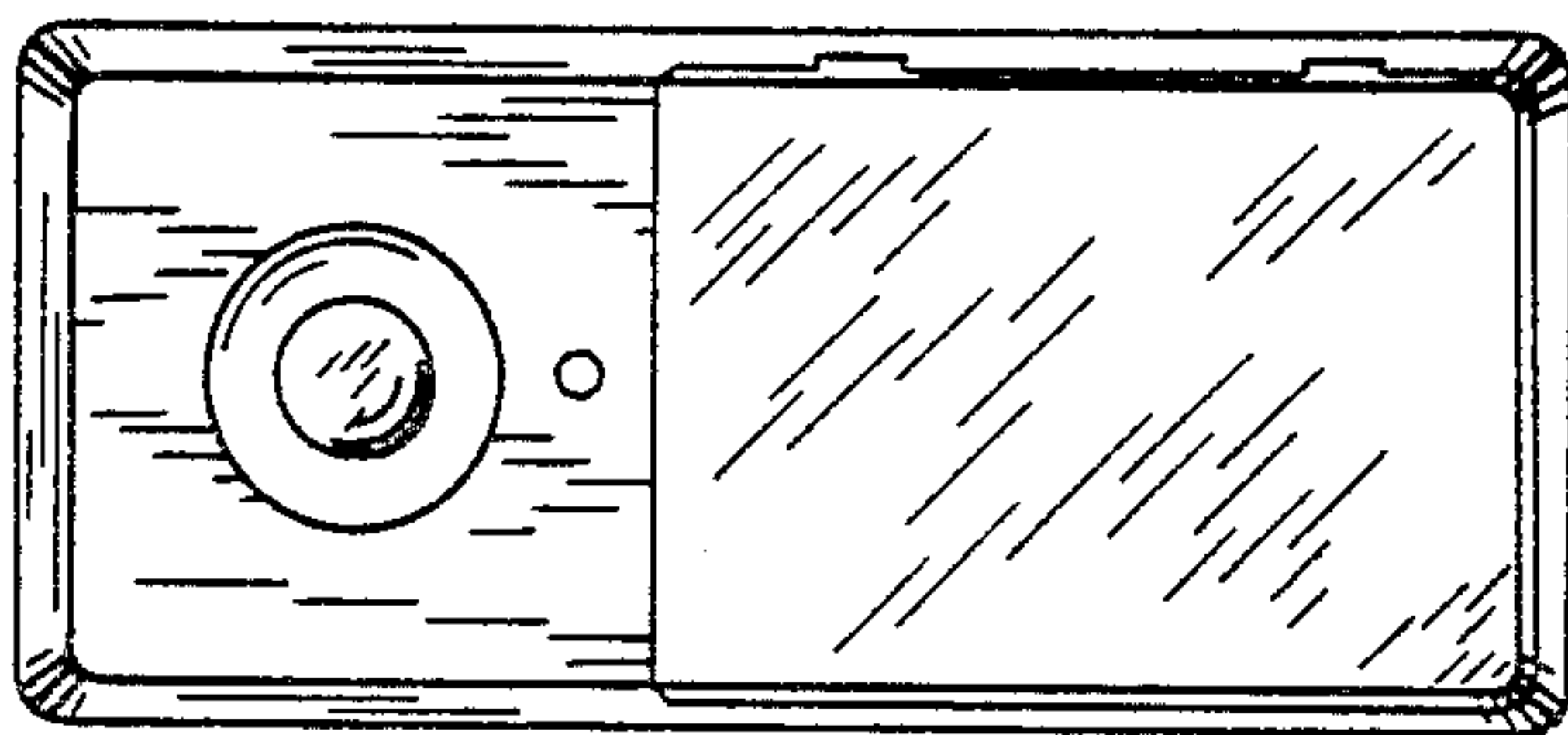


FIG. 3

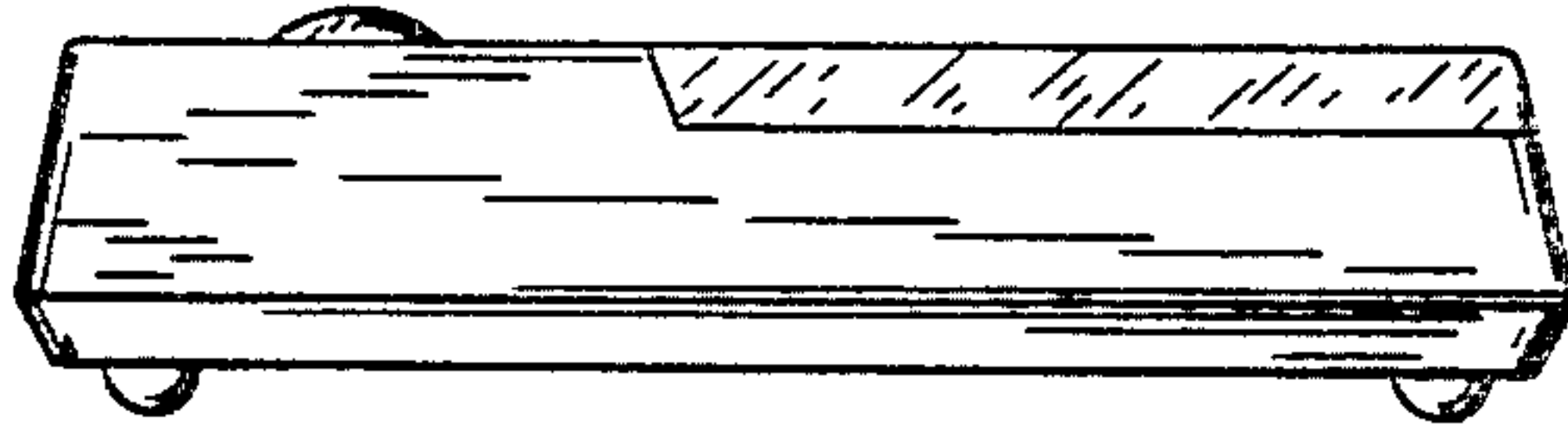


FIG. 4

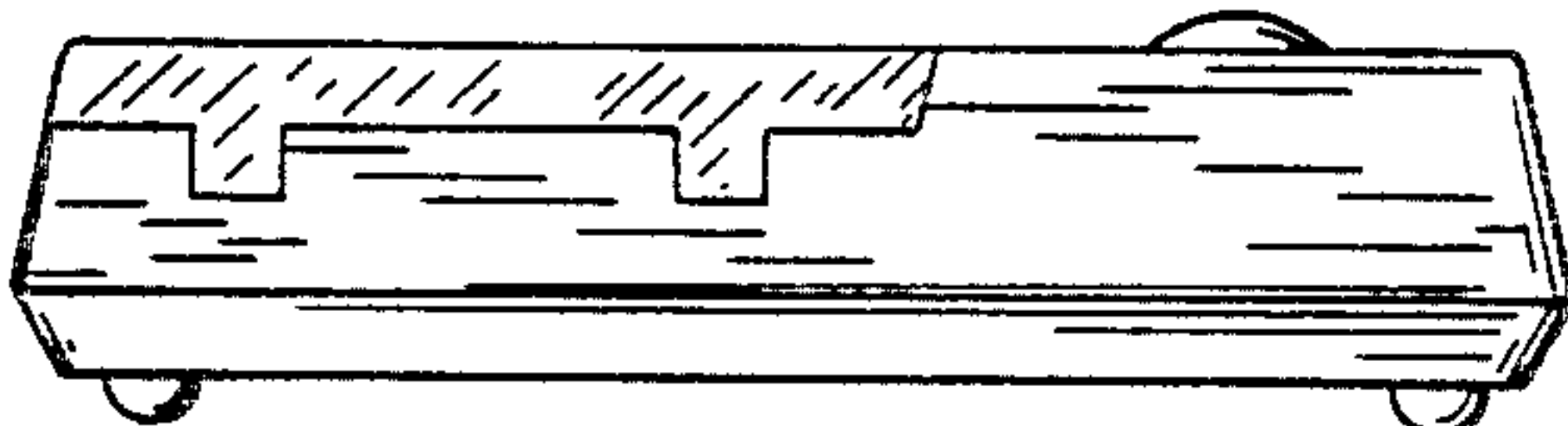


FIG. 5

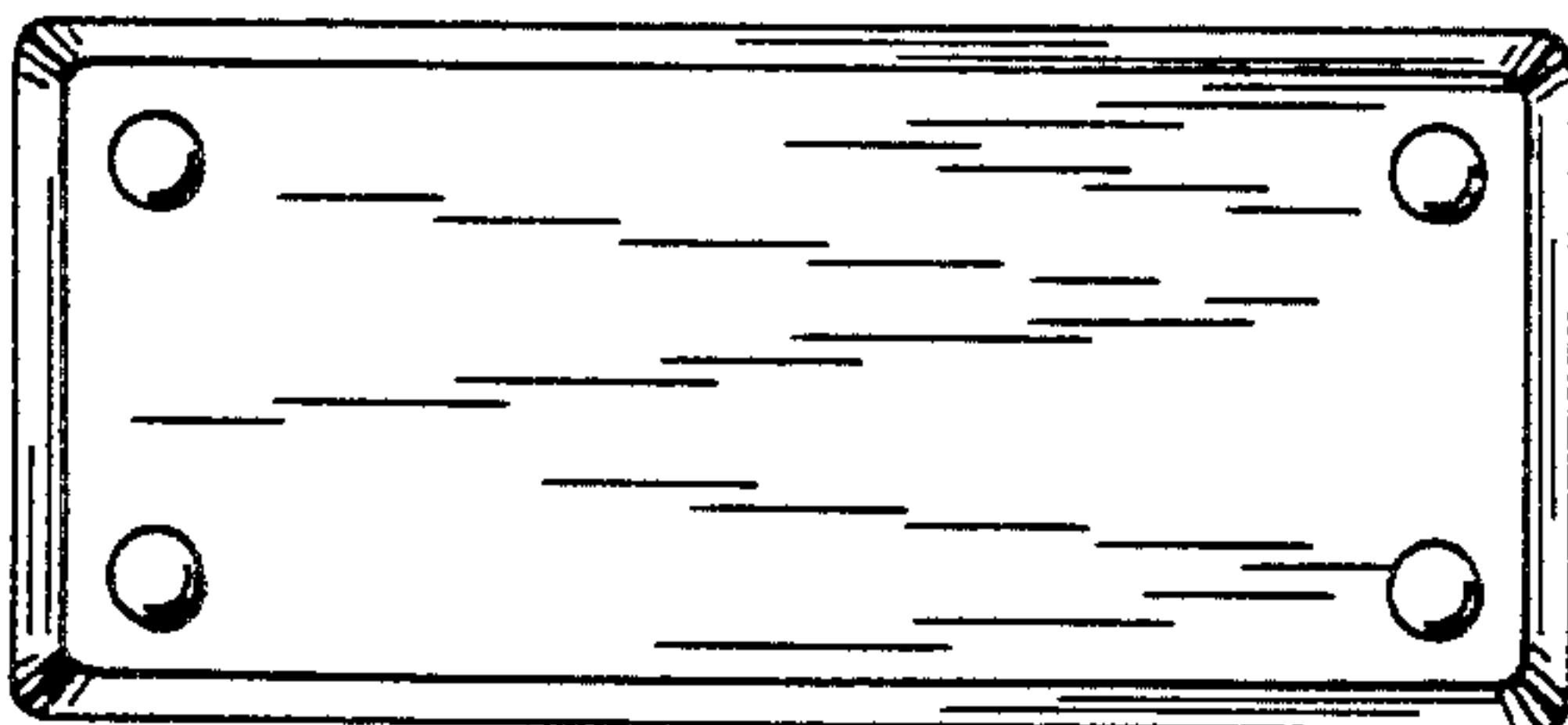


FIG. 8

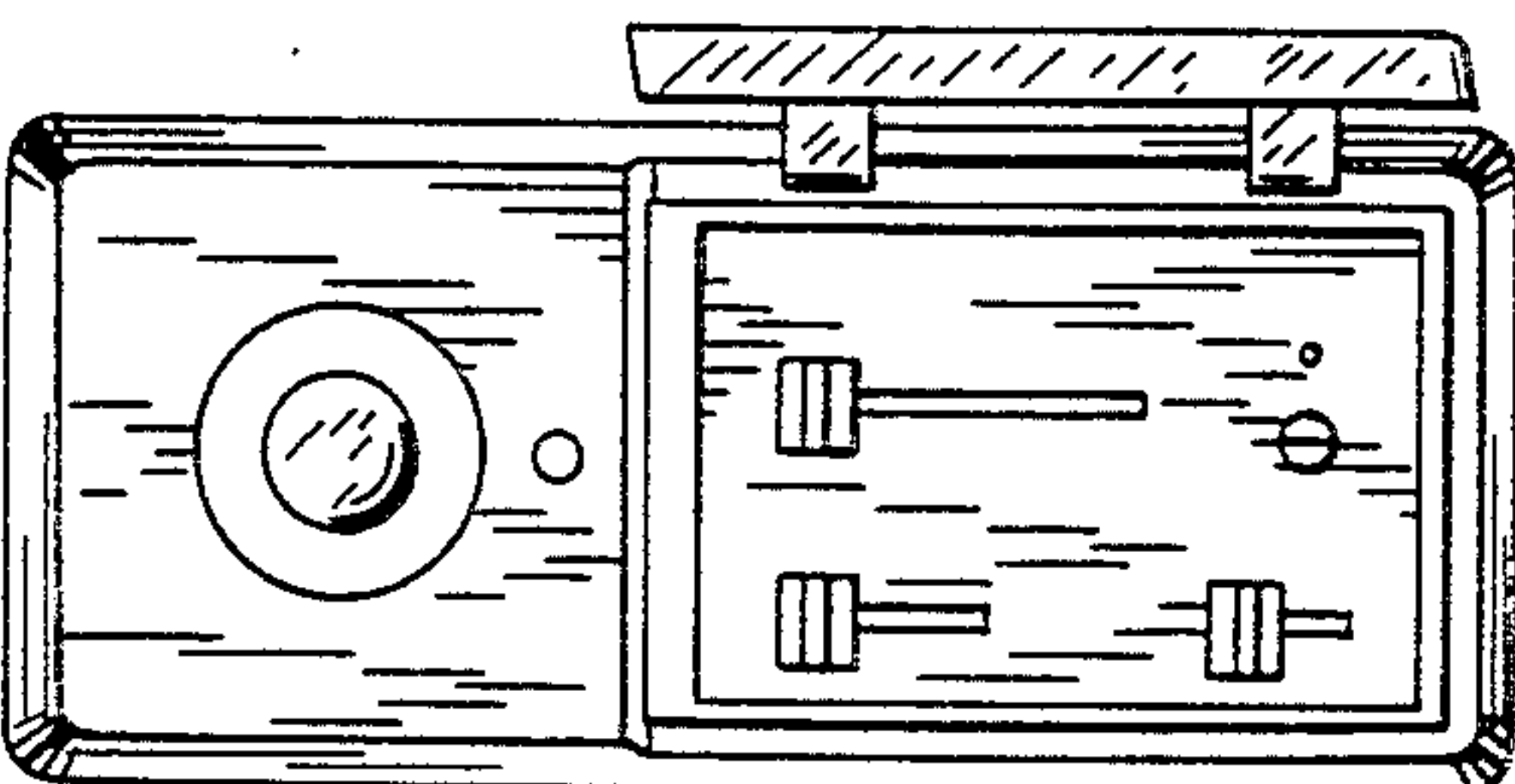


FIG. 6

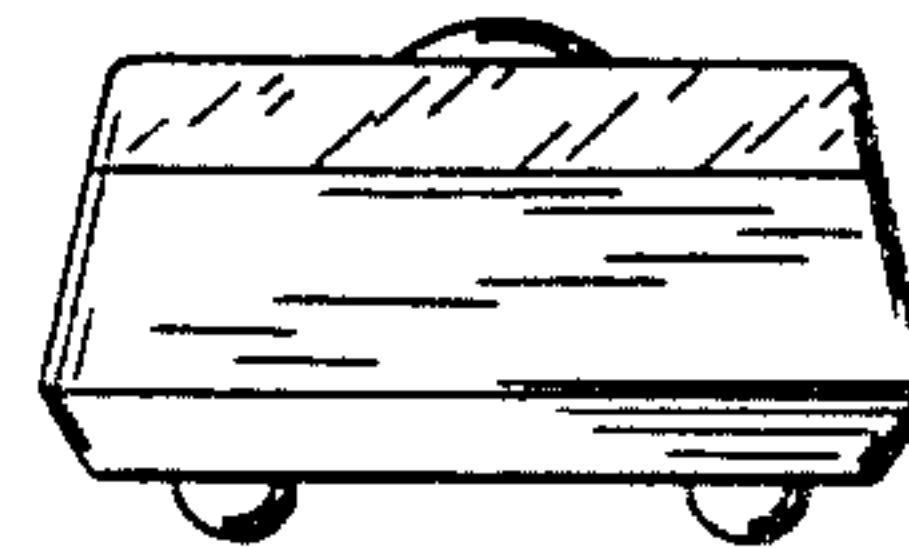


FIG. 7

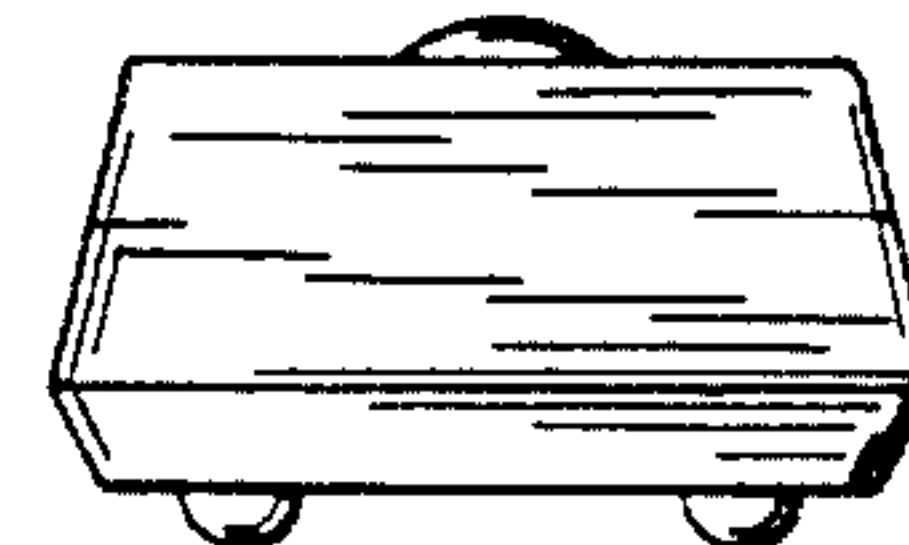


FIG. 9

