

[54] POSITIONER TO SUPPORT A GAS CUTTING TORCH, A WELDING TORCH OR THE LIKE

[75] Inventors: David E. Johnson, Pataskala; Kenneth E. McCall, Lancaster, both of Ohio

[73] Assignee: Arcair Company, Lancaster, Ohio

[\*\*] Term: 14 Years

[21] Appl. No.: 471,390

[22] Filed: Mar. 2, 1983

[52] U.S. Cl. .... D8/71; D15/144

[58] Field of Search ..... D8/71; D15/144; 219/68, 219/69 R; 33/32 R, 32 B, 32 C

[56] References Cited

U.S. PATENT DOCUMENTS

3,485,306	12/1969	Gulley .....	33/32 R
3,626,595	12/1971	Hulen .....	33/32 B
3,688,074	8/1972	Stisner et al. ....	219/69 R
3,959,929	6/1976	Fleischmann .....	219/69 R
3,963,893	6/1976	Roach .....	219/69 R

Primary Examiner—B. J. Bullock  
Assistant Examiner—Suzanne N. Gitlin  
Attorney, Agent, or Firm—James C. Simmons

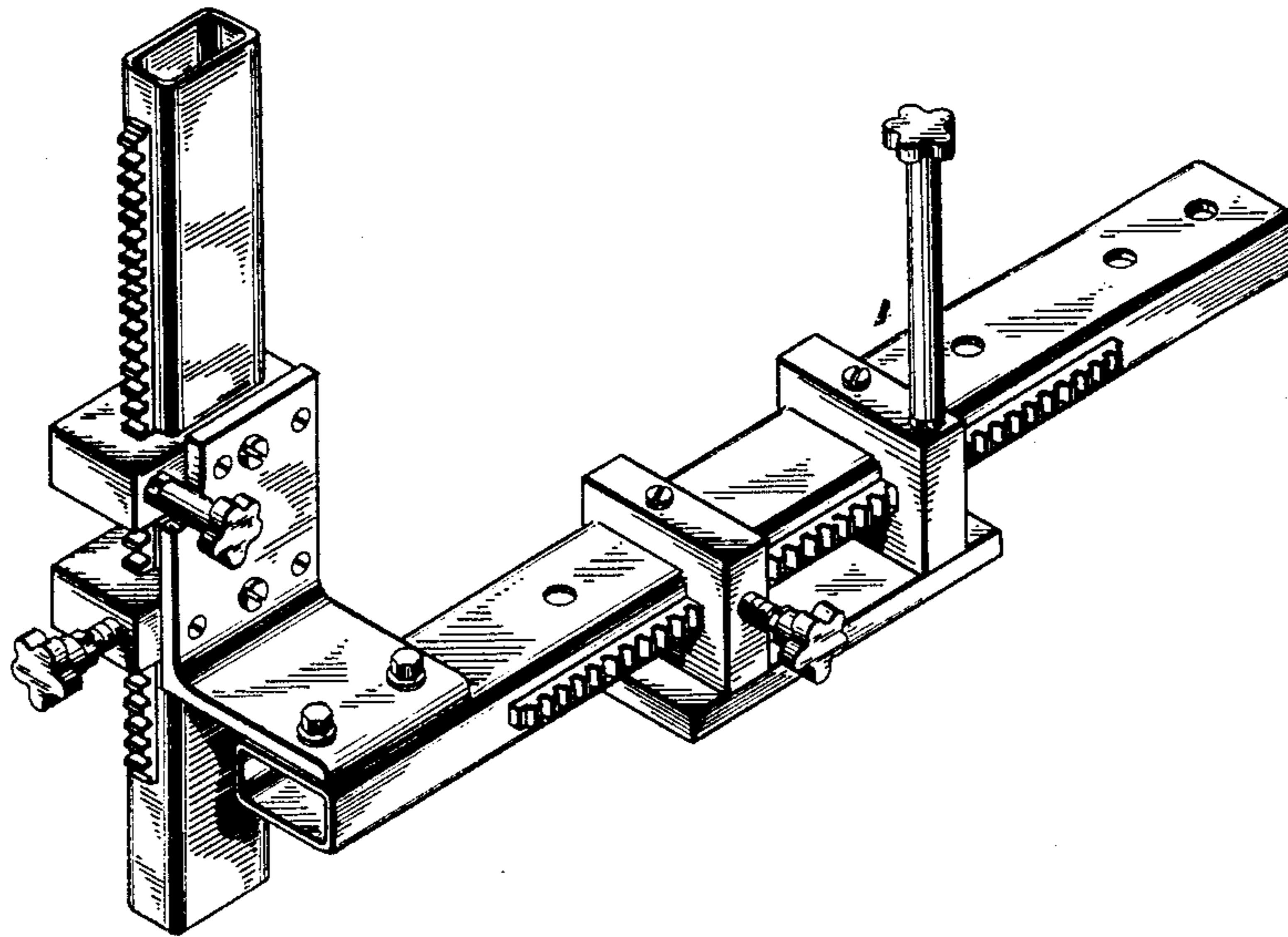
[57] CLAIM

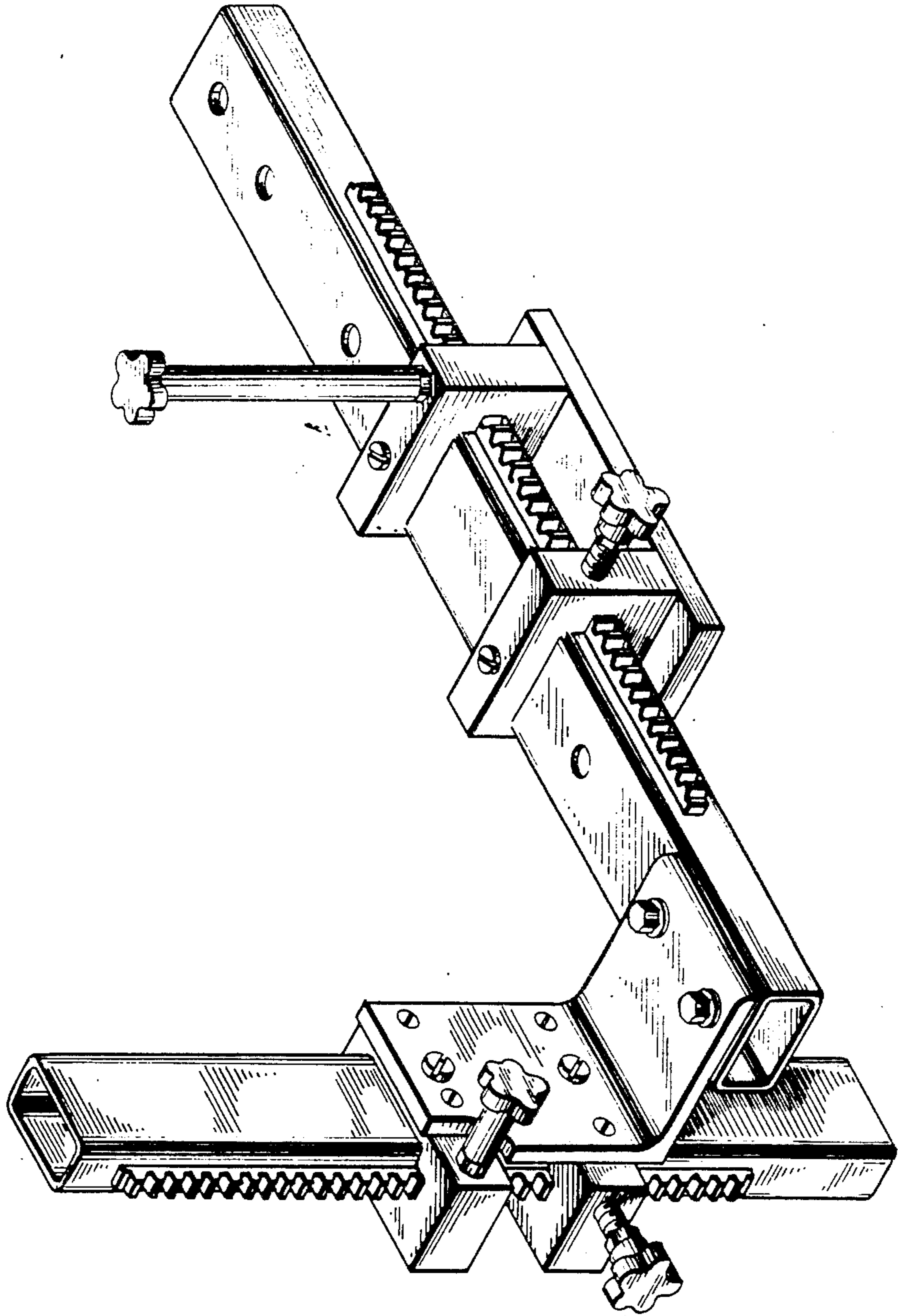
The ornamental design for the positioner to support a gas cutting torch, a welding torch or the like, as shown and described.

DESCRIPTION

FIG. 1 is a front and top isometric view of a positioner to support a gas cutting torch, a welding torch or the like showing our new design;

FIG. 2 is a rear and bottom isometric view thereof.





**FIG. 1**

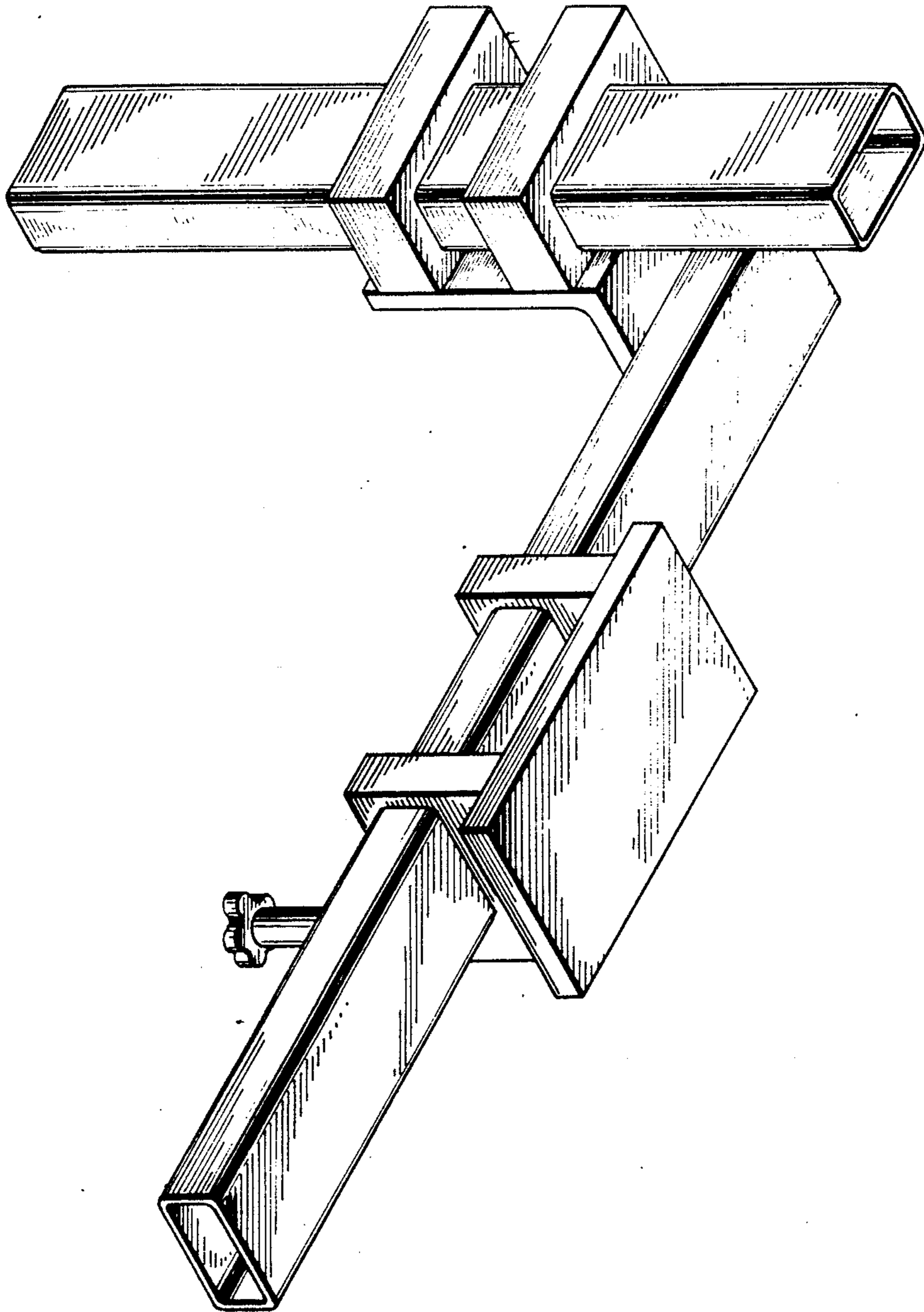


FIG. 2