

[54] AIR CARBON-ARC CUTTING AND GOUGING TORCH

[75] Inventors: David B. Chaney, Columbus; Michael J. Duwell, Cincinnati, both of Ohio

[73] Assignee: Arcair Company, Lancaster, Ohio

[\*\*] Term: 14 Years

[21] Appl. No.: 521,204

[22] Filed: Aug. 8, 1983

[52] U.S. Cl. .... D8/30; D8/98

[58] Field of Search ..... D8/30, 98; 219/70, 138, 219/140, 141

[56] References Cited

U.S. PATENT DOCUMENTS

- D. 221,328 8/1971 Henderson et al. .... D8/98
- D. 230,560 3/1974 McCall et al. .... D8/98

- D. 258,193 2/1981 Hoffmann ..... D8/30
- 2,799,771 7/1957 Donnelly, Jr. .... 219/138
- 3,573,419 4/1971 Henderson ..... 219/138 X
- 3,735,085 5/1973 McCall et al. .... 219/138 X

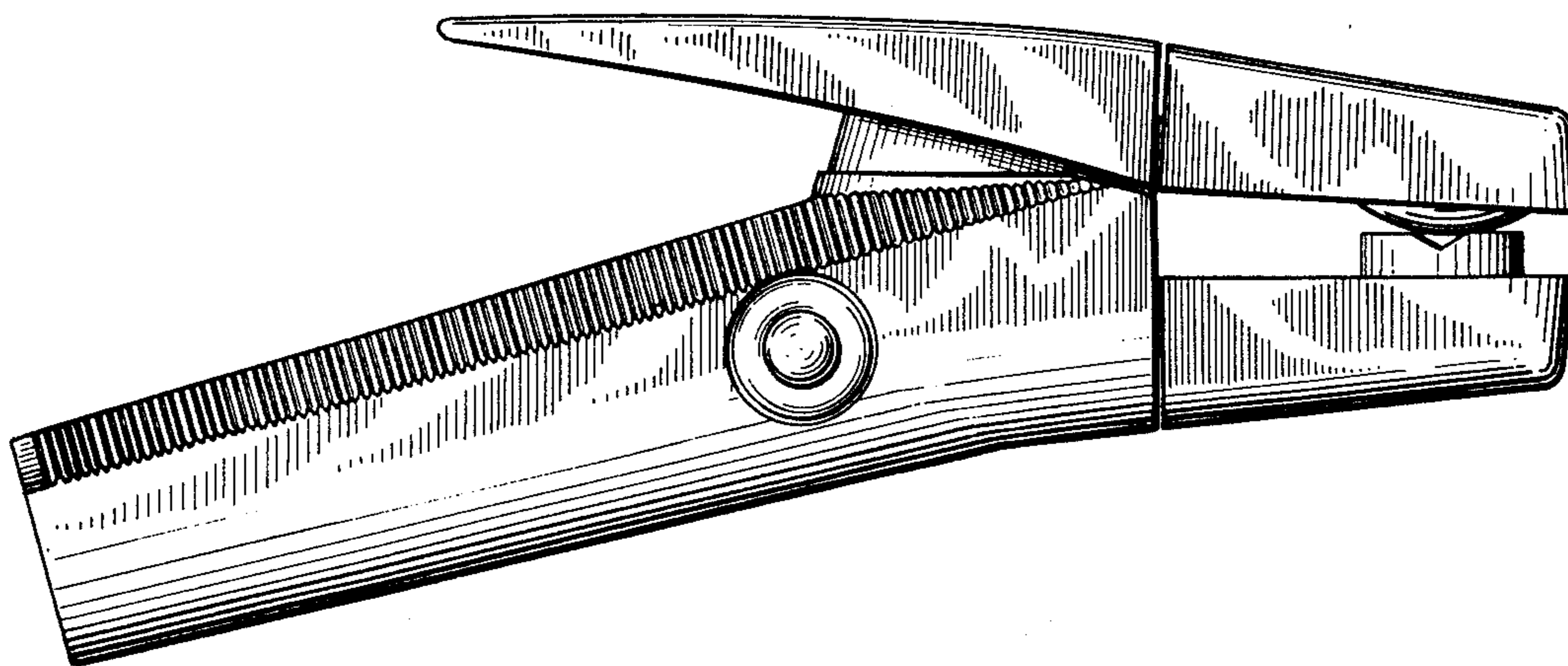
Primary Examiner—Susan J. Lucas  
Attorney, Agent, or Firm—James C. Simmons

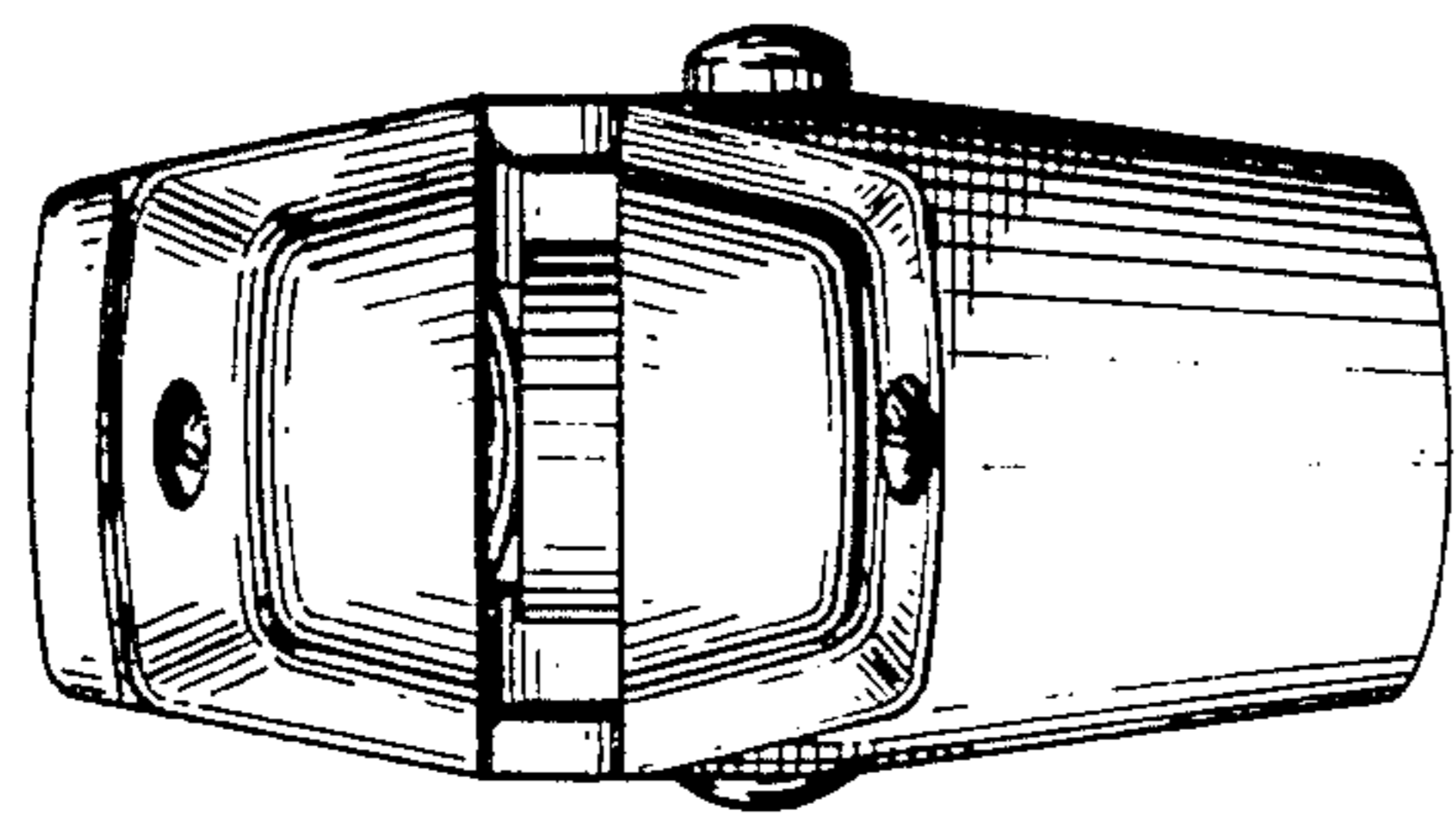
[57] CLAIM

The ornamental design for an air carbon-arc cutting and gouging torch, as shown and described.

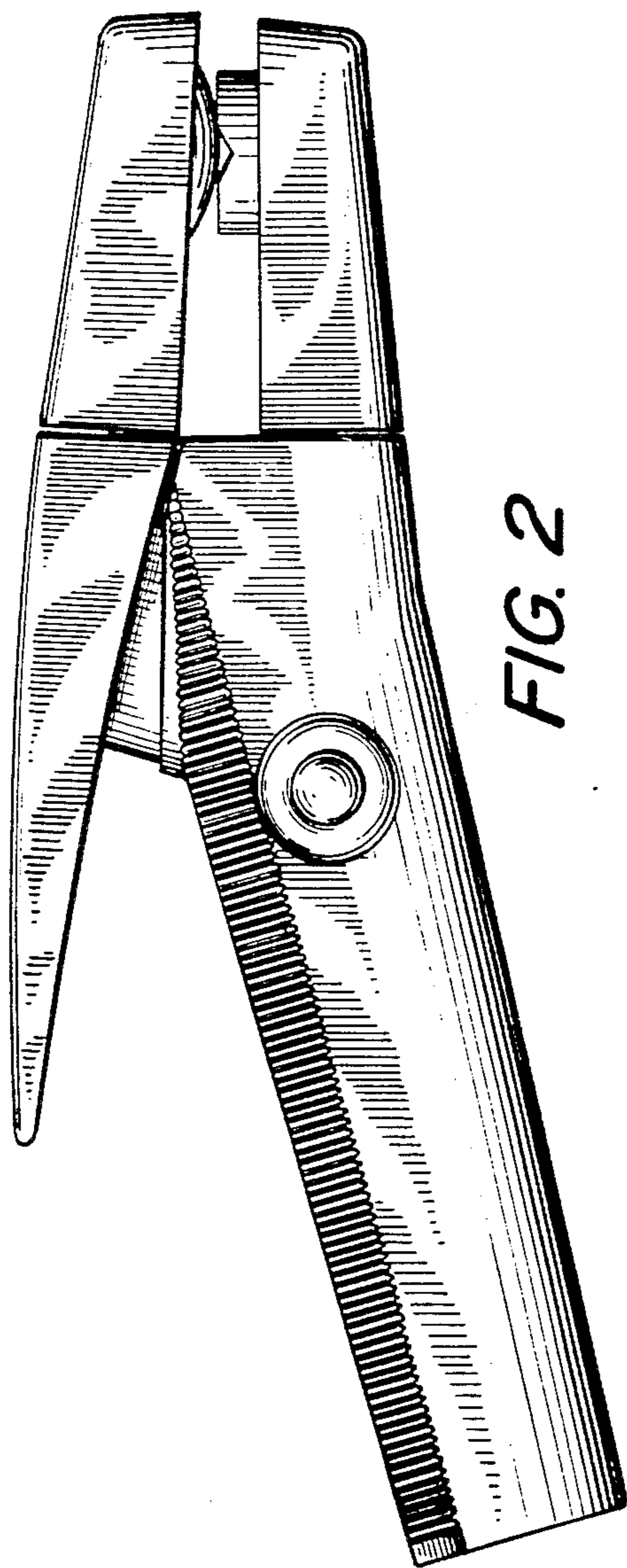
DESCRIPTION

FIG. 1 is a front elevational view of an air carbon-arc cutting and gouging torch showing my new design;  
 FIG. 2 is a right side elevational view thereof.  
 FIG. 3 is a bottom plan view thereof.  
 FIG. 4 is a left side elevational view thereof.  
 FIG. 5 is a top plan view thereof.  
 FIG. 6 is a rear elevational view thereof.

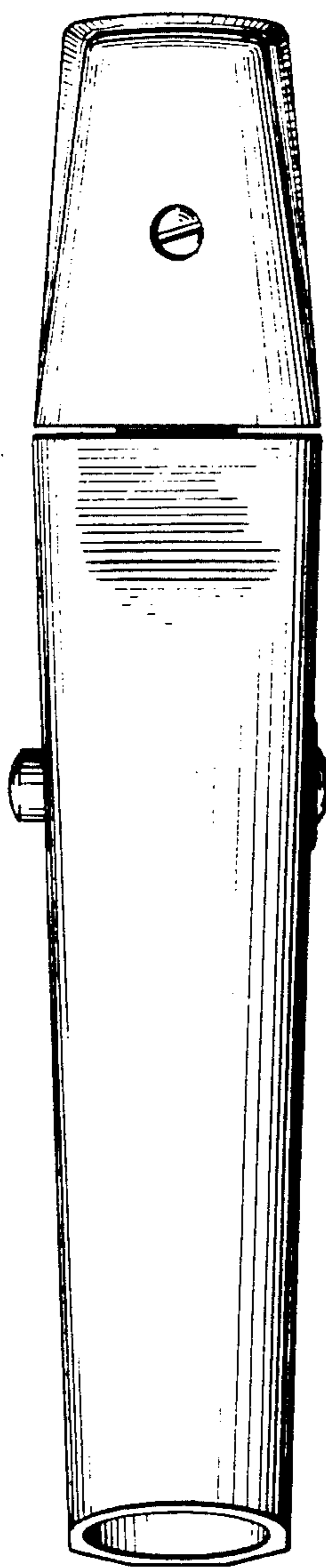




*FIG. 1*



*FIG. 2*



*FIG. 3*

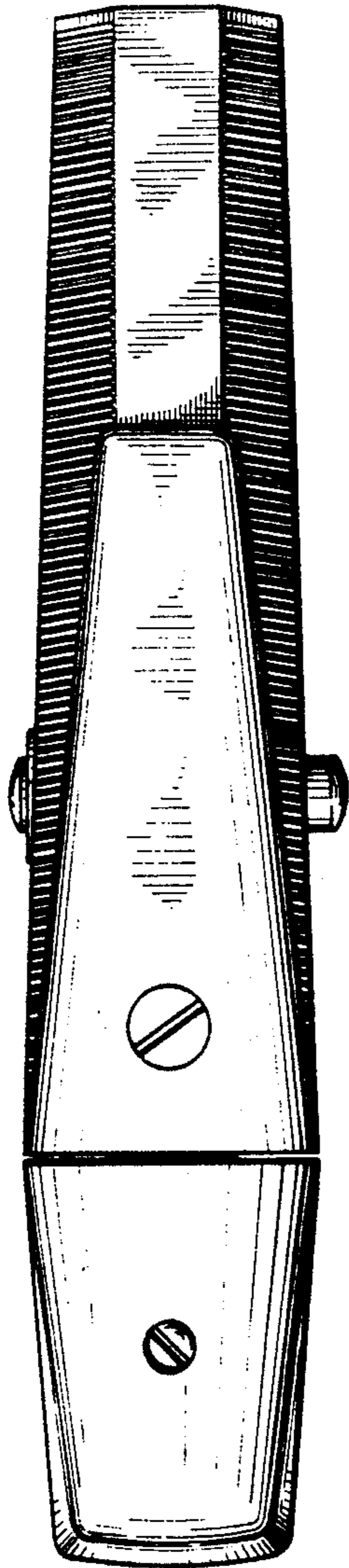


FIG. 5

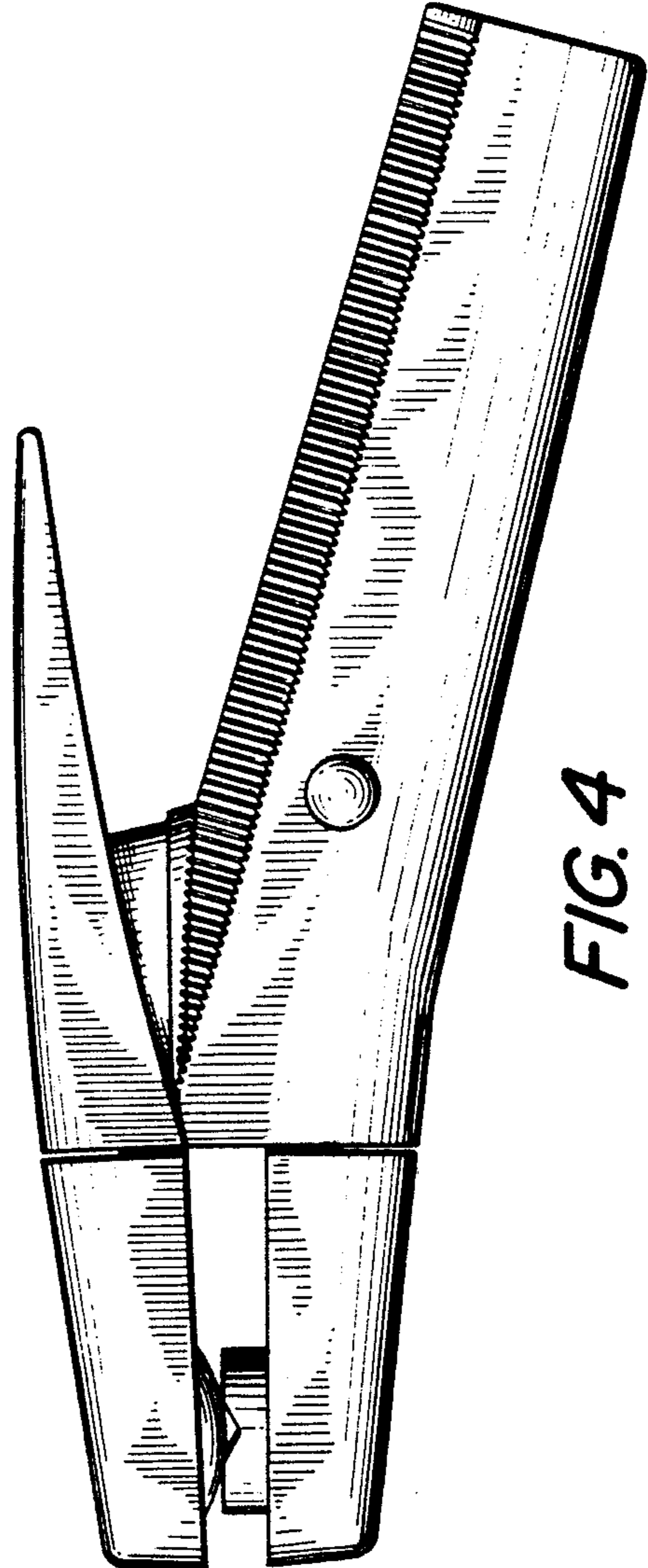


FIG. 4

FIG. 6

