

[54] TORQUE TOOL READOUT UNIT

3,747,423 7/1973 Mitchell ..... 73/862.22  
4,257,263 3/1981 Herrgen ..... 73/862.23

[75] Inventor: Bosko Grabovac, Arcadia, Calif.

[73] Assignee: Consolidated Devices, Inc., City of Industry, Calif.

Primary Examiner—Catherine E. Kemper  
Assistant Examiner—Clare E. Heflin  
Attorney, Agent, or Firm—Georges A. Maxwell

[\*\*] Term: 14 Years

[57] CLAIM

[21] Appl. No.: 449,476

The ornamental design for a torque tool readout unit, as shown and described.

[22] Filed: Jan. 20, 1983

[52] U.S. Cl. .... D8/24; D10/83; D18/7

DESCRIPTION

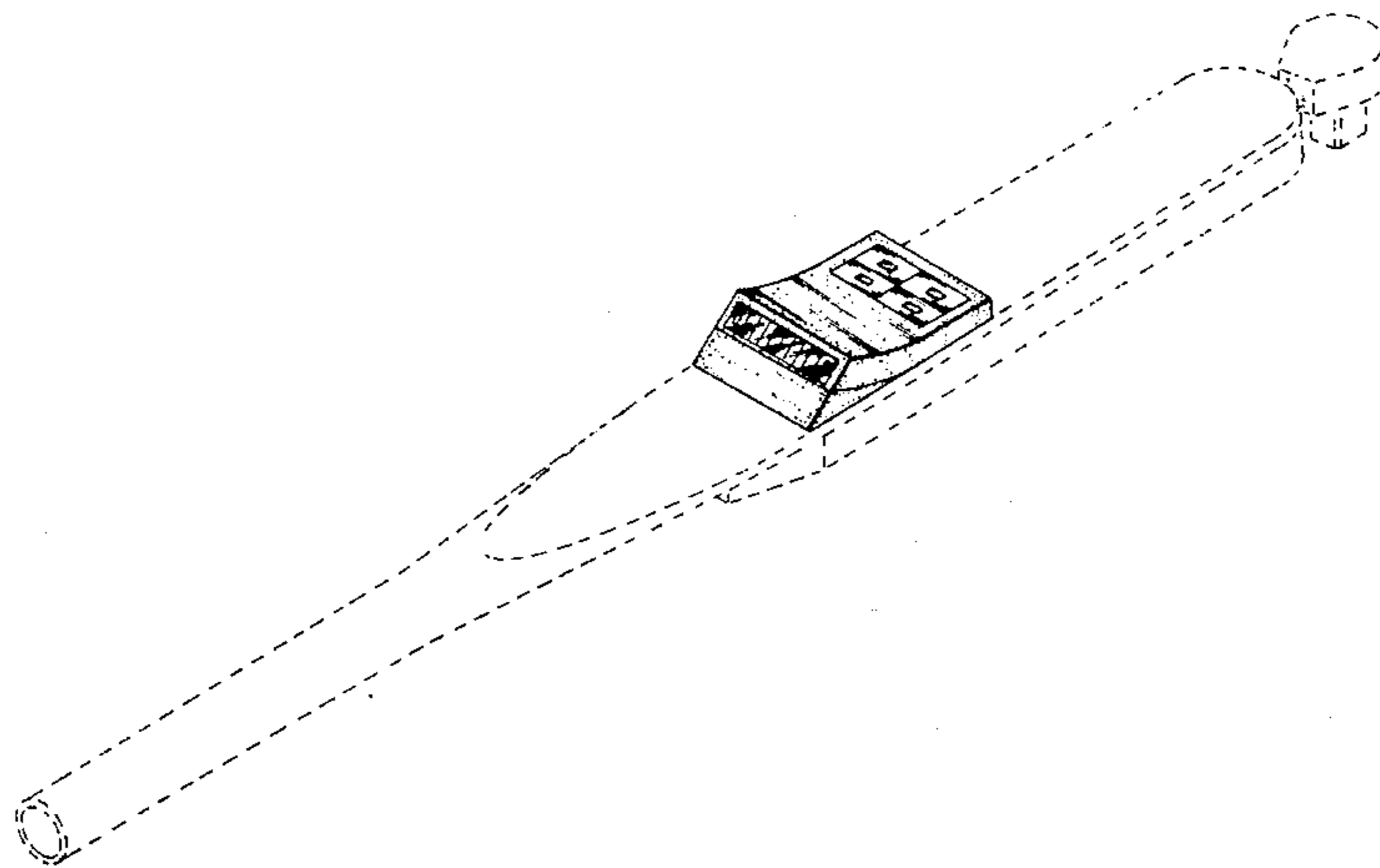
[58] Field of Search ..... D8/24; D10/39, 57, 78, D10/102; D18/7; 73/862.21, 862.22, 862.23; 81/467, 479

FIG. 1 is an isometric view of a torque tool readout unit showing my new design with the torque tool shown in broken lines for illustrative purposes only; FIG. 2 is a top view of a torque tool readout unit showing my new design; FIG. 3 is a side view thereof, the opposite side being a mirror image; FIG. 4 is a bottom view thereof; FIG. 5 is an end view thereof; FIG. 6 is an opposite end view thereof.

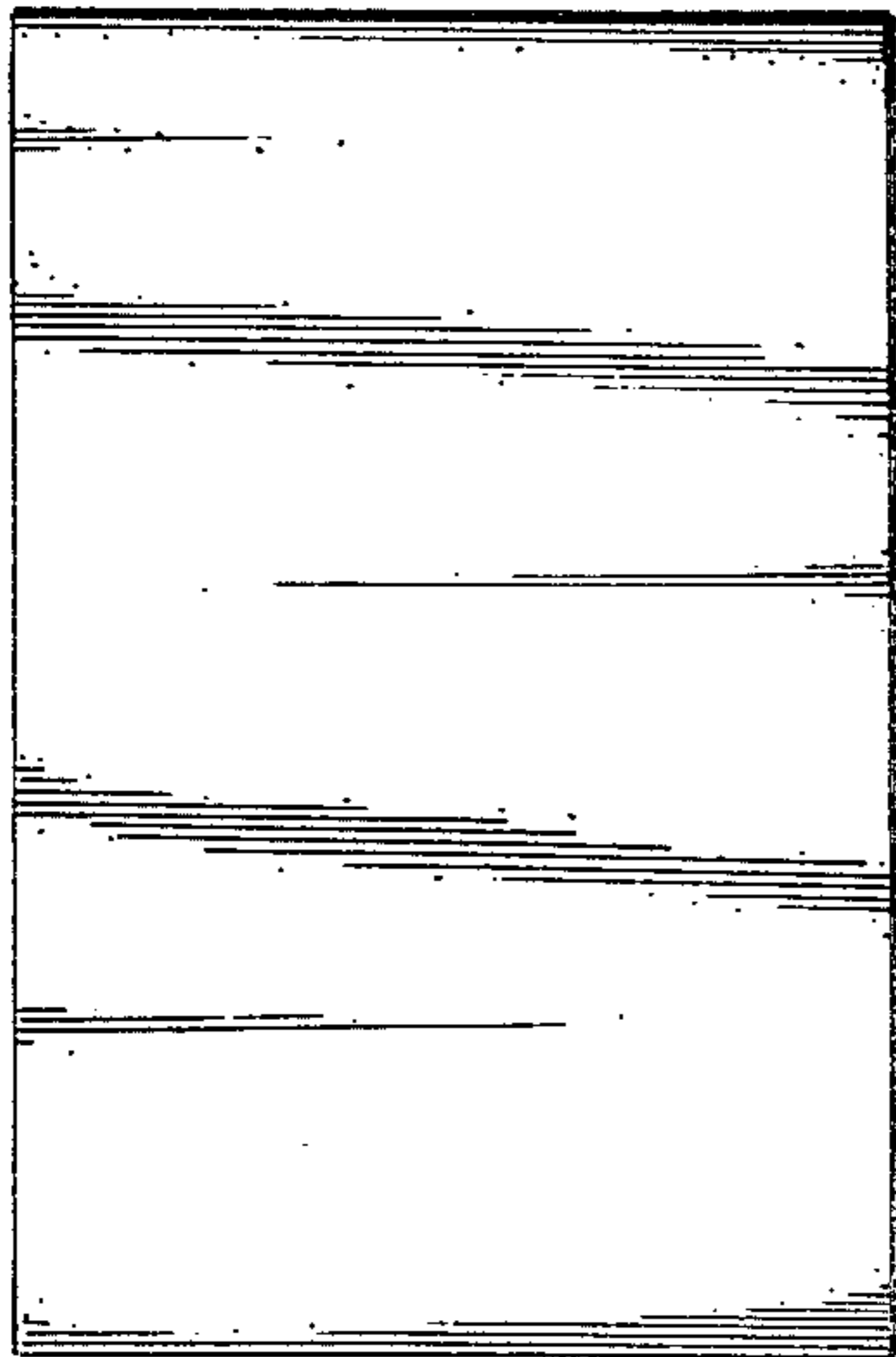
[56] References Cited

U.S. PATENT DOCUMENTS

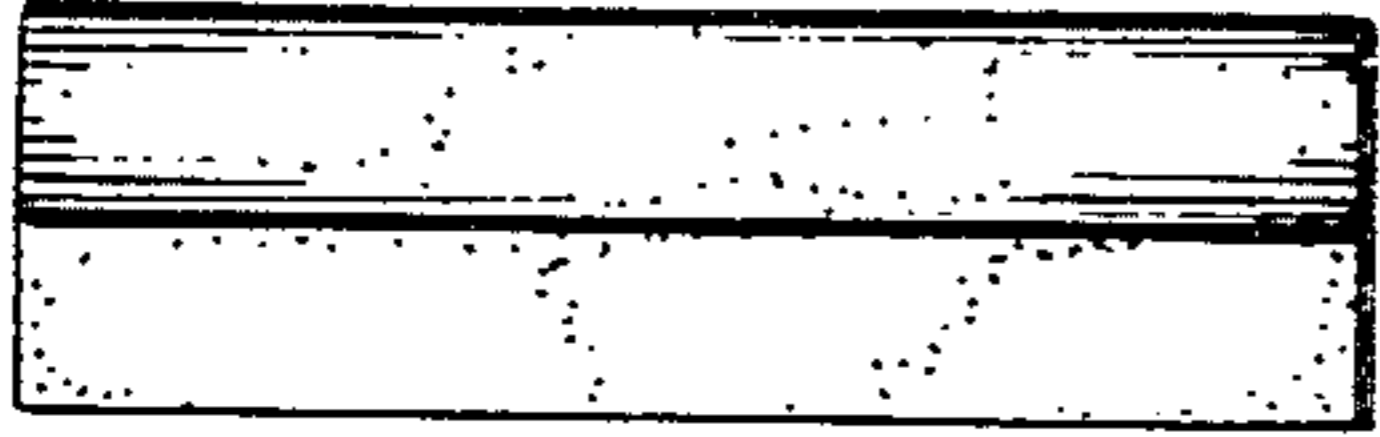
- D. 236,254 8/1975 Ray ..... D10/57
- D. 249,388 9/1978 Sulek et al. .... D18/7
- D. 261,366 10/1981 Lam ..... D10/78 X



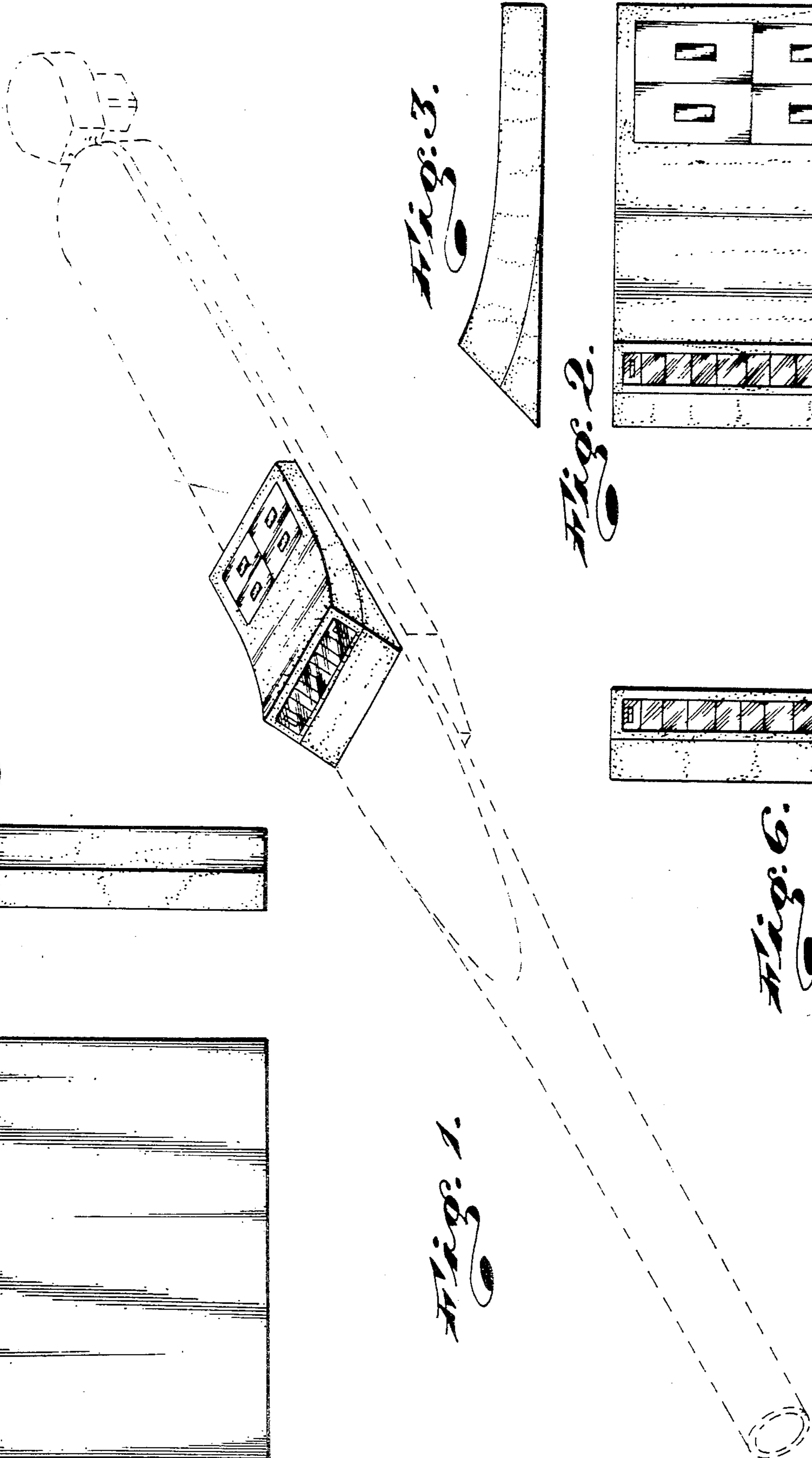
*Fig. 4.*



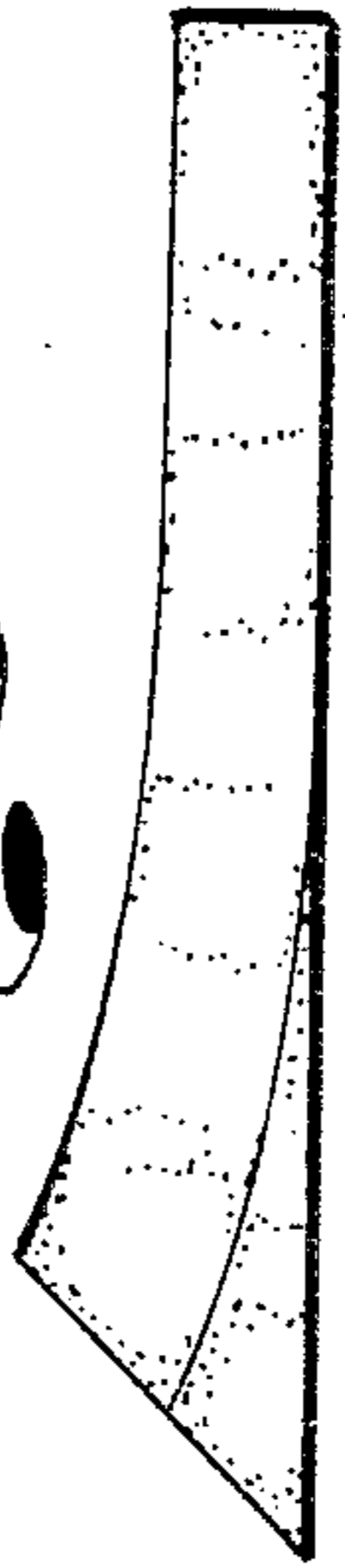
*Fig. 5.*



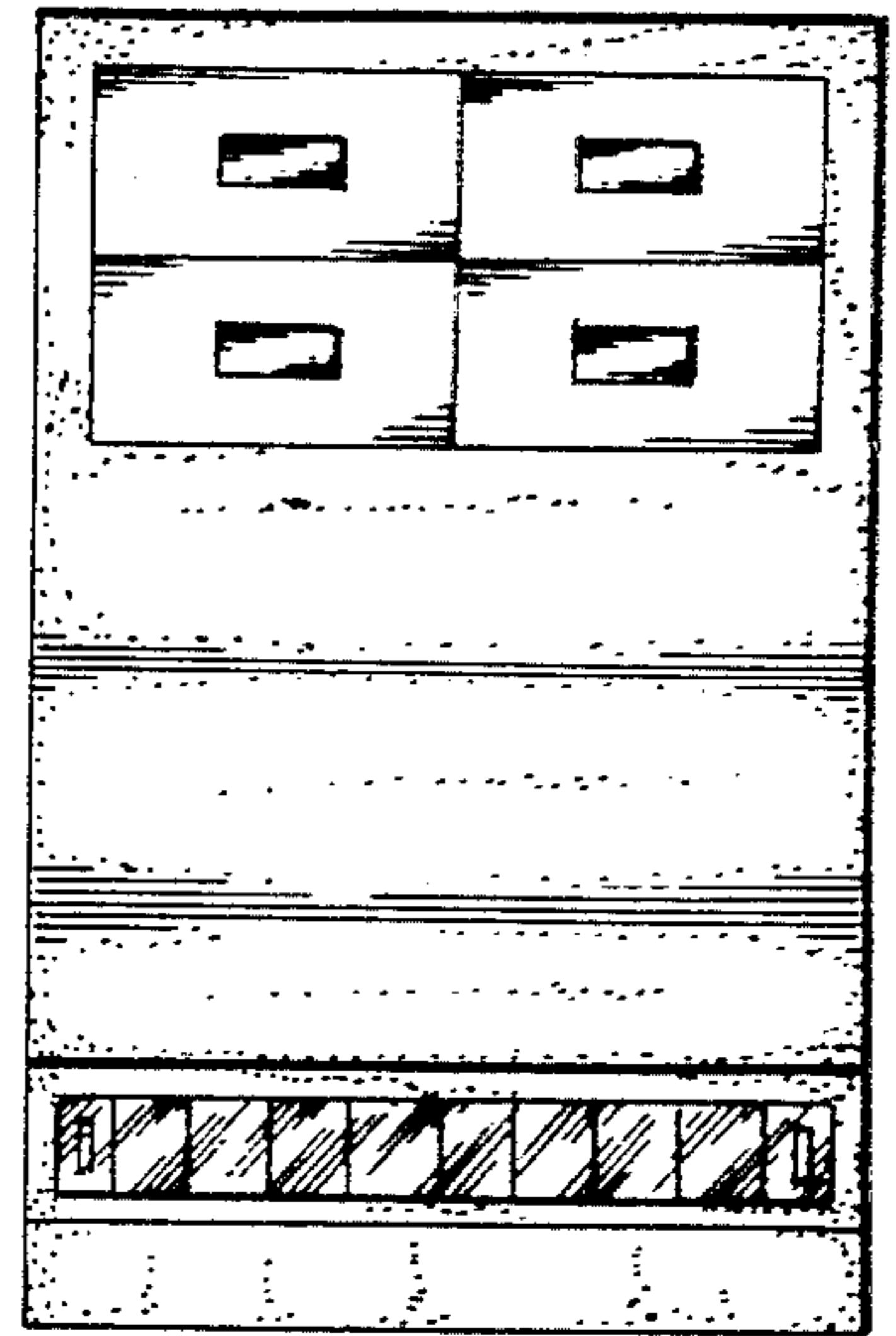
*Fig. 1.*



*Fig. 3.*



*Fig. 2.*



*Fig. 6.*

