

[54] **FREEZE PLUG TOOL**

[76] **Inventor: Maynard L. Smith, P.O. Box 90804, San Diego, Calif. 92109**

[**] **Term: 14 Years**

[21] **Appl. No.: 465,304**

[22] **Filed: Feb. 9, 1983**

[52] **U.S. Cl. D8/14**

[58] **Field of Search D8/14; 29/278, 275, 29/254**

[56] **References Cited**

U.S. PATENT DOCUMENTS

3,064,342 11/1962 Wagoner 29/275
4,229,870 10/1980 Tate 29/275

Primary Examiner—Wallace R. Burke

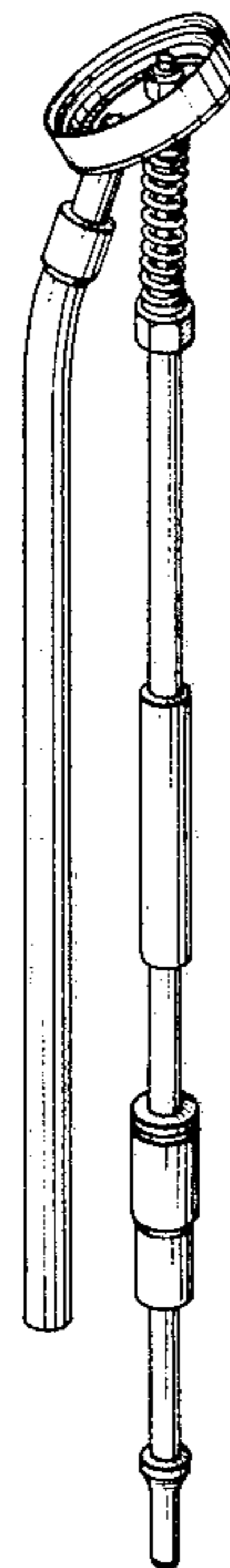
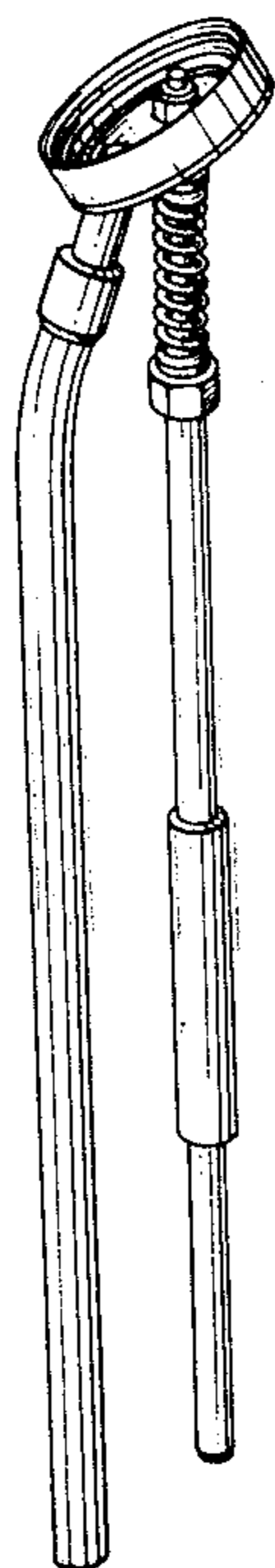
Assistant Examiner—Suzanne N. Gitlin
Attorney, Agent, or Firm—Cislo, O'Reilly & Thomas

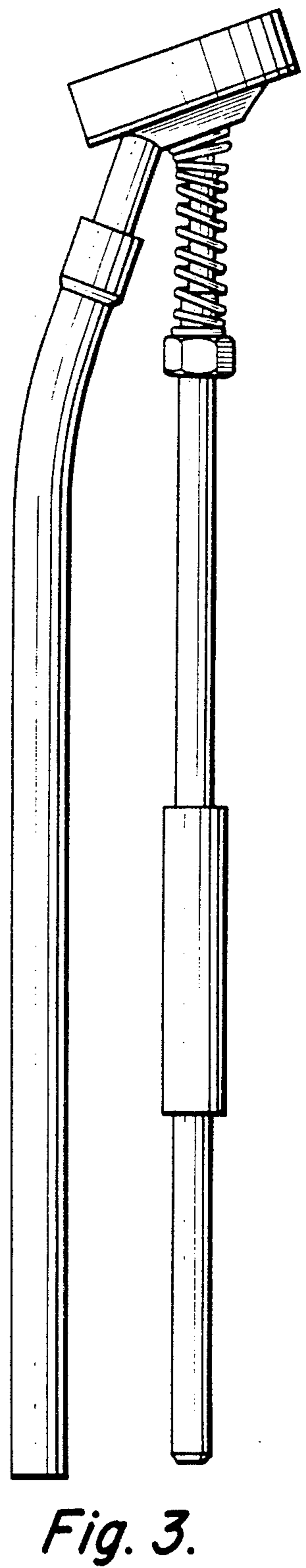
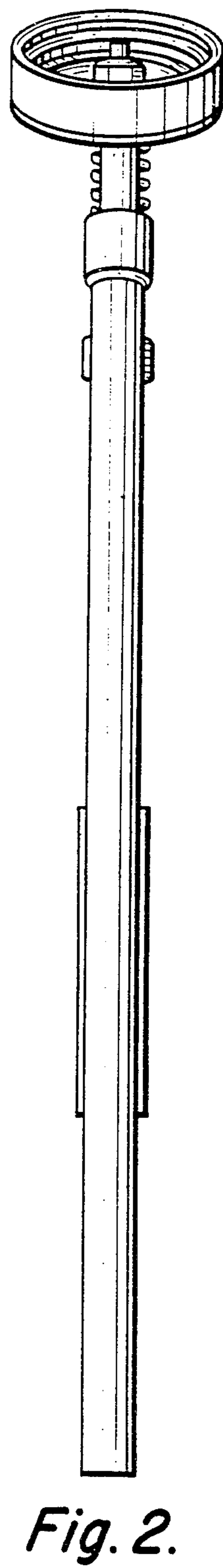
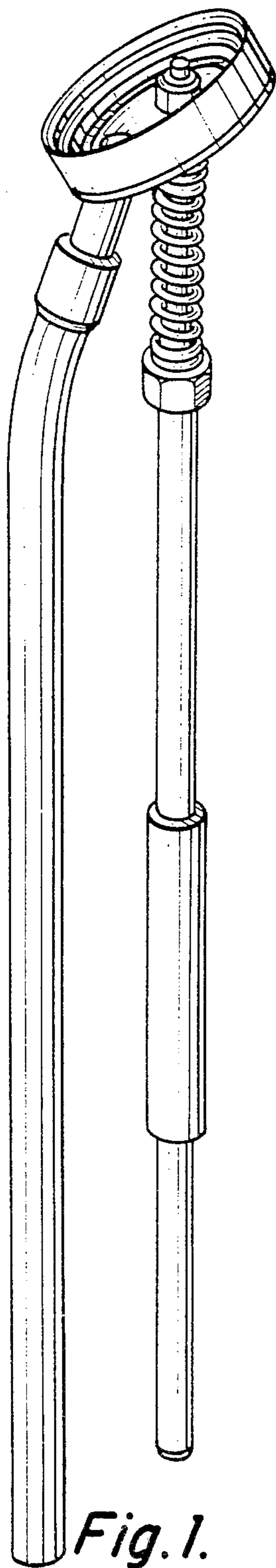
[57] **CLAIM**

The ornamental design for a freeze plug tool, as shown and described.

DESCRIPTION

FIG. 1 is a perspective view of my freeze plug tool showing my new design;
FIG. 2 is a front elevational view thereof;
FIG. 3 is a side elevational view thereof;
FIG. 4 is a rear elevational view thereof;
FIG. 5 is a top plan view thereof;
FIG. 6 is a bottom plan view thereof; and
FIG. 7 is a perspective view of an alternate embodiment of my freeze plug tool similar to FIG. 1, but showing a lower portion which is symmetrical in configuration to illustrate the totality of the design thereof.





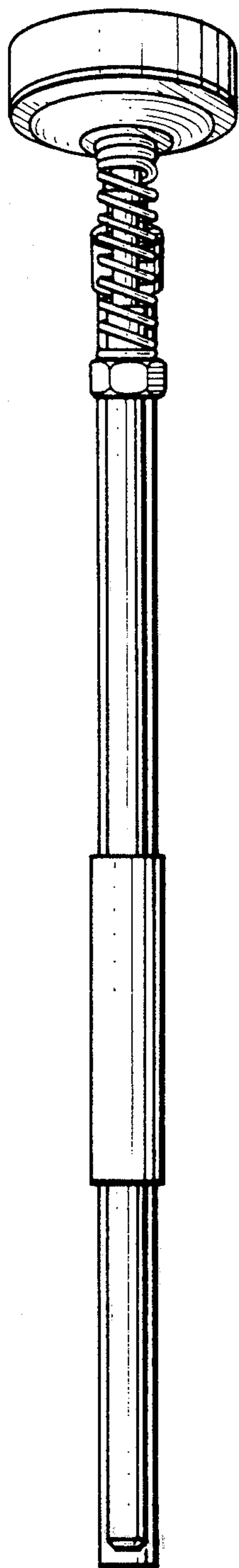


Fig. 4.

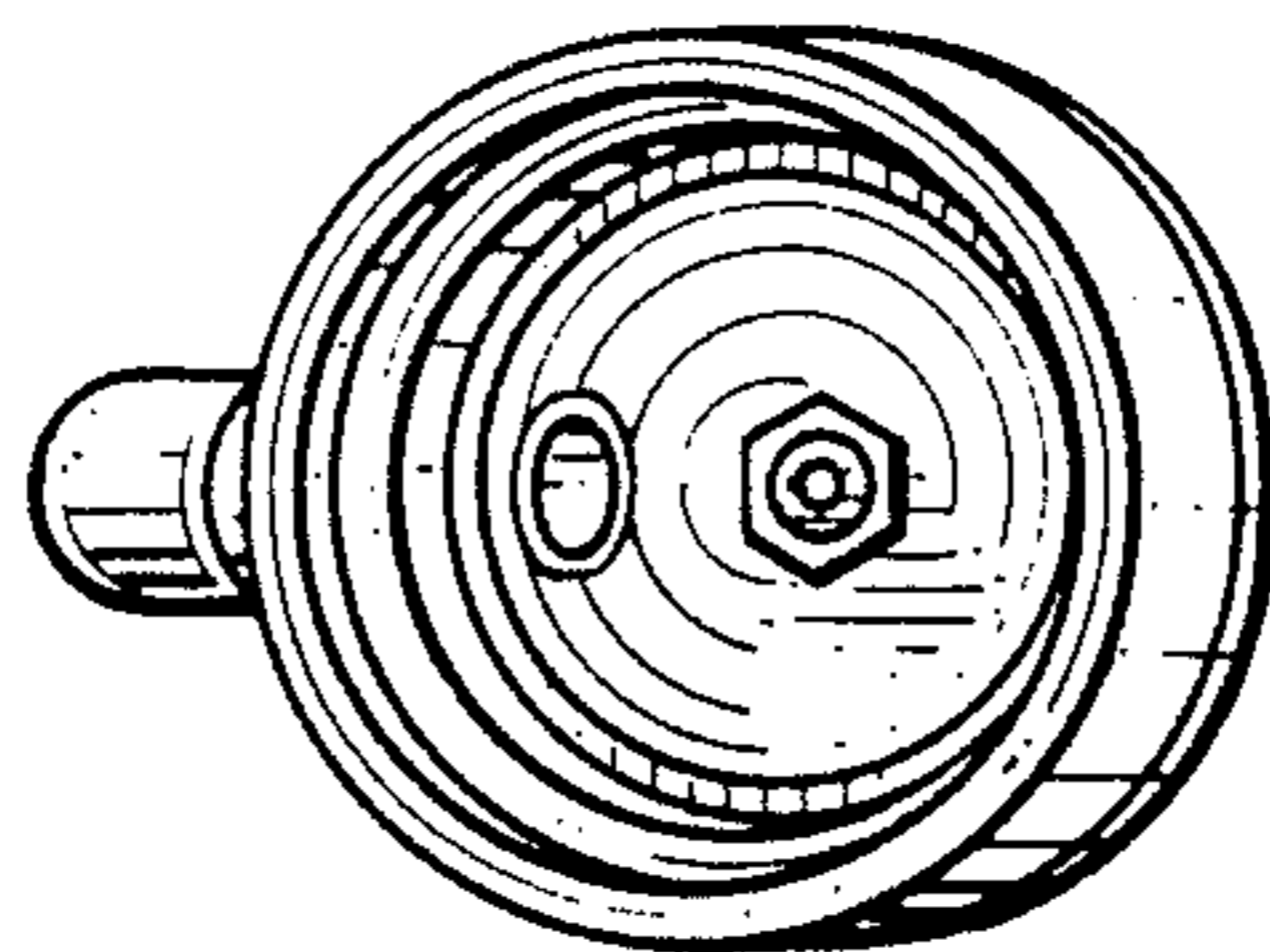


Fig. 5.

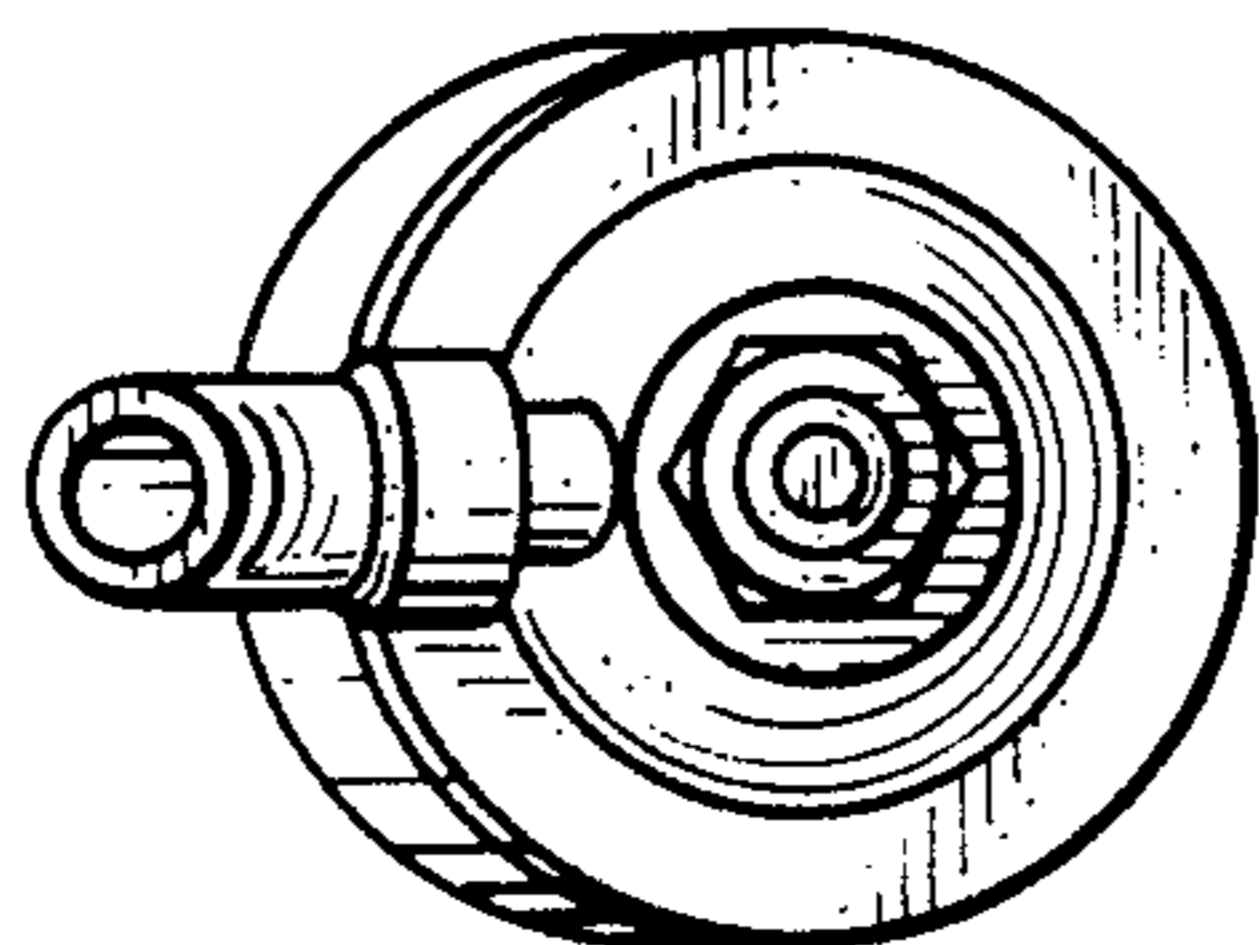


Fig. 6.

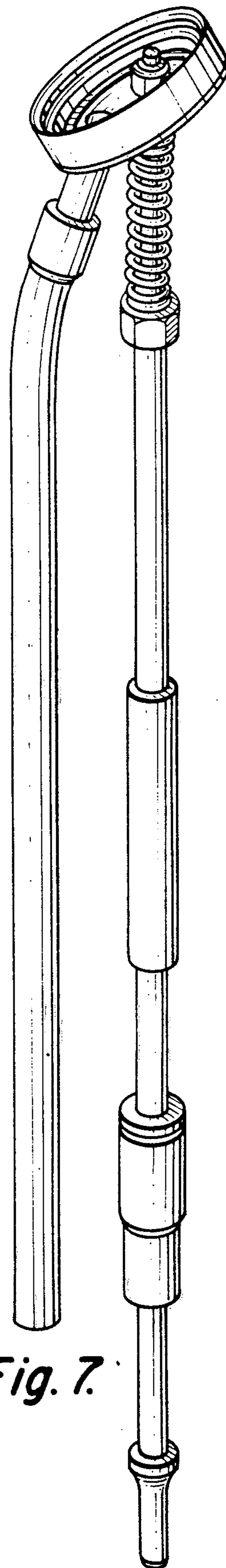


Fig. 7.