

[54] BENDER BOARD HOLDER

[76] Inventors: R. Warner Tappan; Pam R. Tappan,
both of 27265 Calle Anejo,
Capistrano Beach, Calif. 92624

[**] Term: 14 Years

[21] Appl. No.: 555,826

[22] Filed: Nov. 28, 1983

[52] U.S. Cl. D8/1

[58] Field of Search D8/1; 256/13.1, 1, 19;
47/33; D25/73

[56] References Cited

U.S. PATENT DOCUMENTS

D. 272,510 2/1984 Drake D8/1

2,809,809	10/1957	Johnston	D25/73
3,472,133	10/1969	Ziehm, Jr.	47/33
3,933,311	1/1976	Lemelson	256/1
4,508,319	4/1985	Tappan et al.	256/19

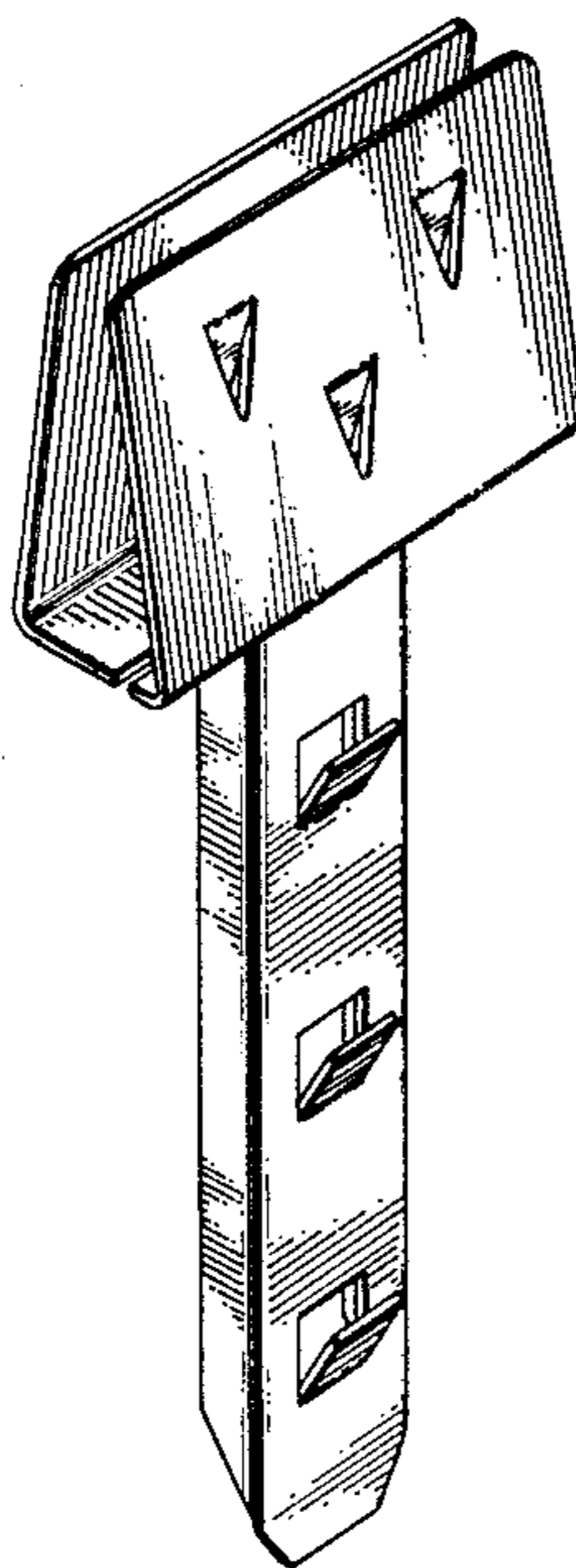
Primary Examiner—B. J. Bullock
Attorney, Agent, or Firm—Edward E. Roberts

[57] CLAIM

The ornamental design for a bender board holder, as shown and described.

DESCRIPTION

FIG. 1 is a top, front and left side perspective view of the bender board holder showing our new design; FIG. 2 is a rear view thereof; FIG. 3 is a right side view thereof; FIG. 4 is a bottom view thereof.



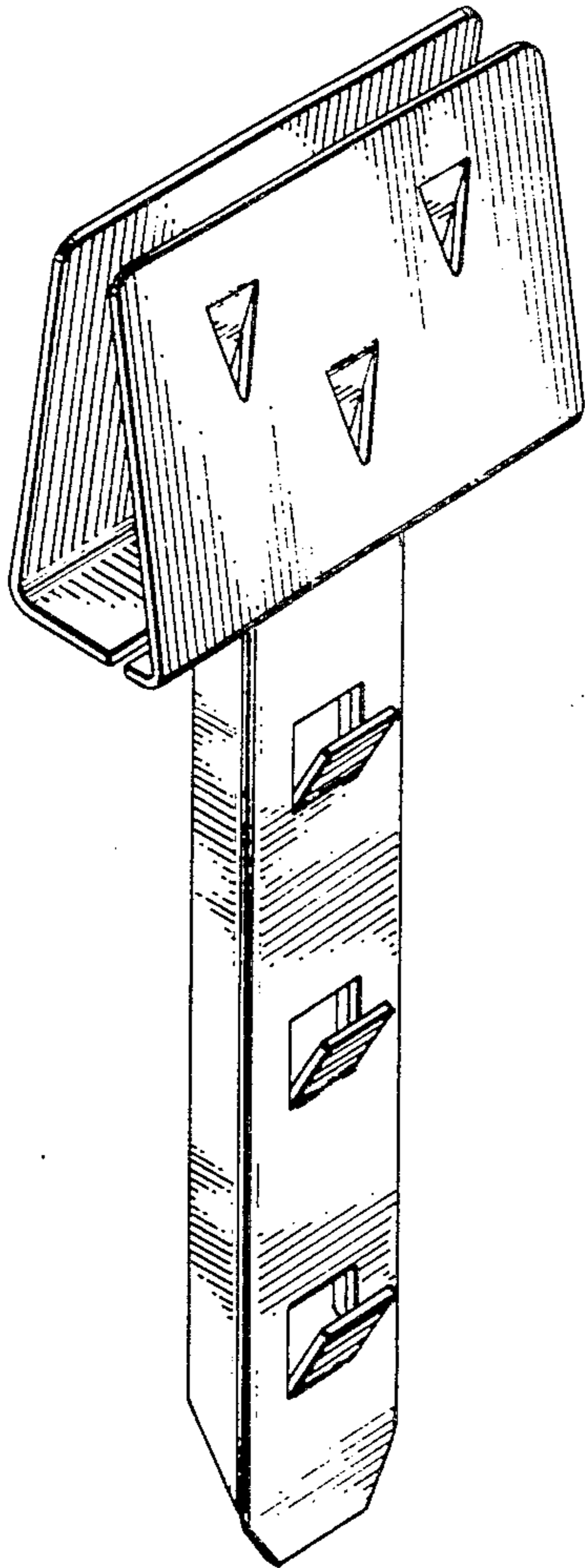


FIG. 1.

FIG. 2.

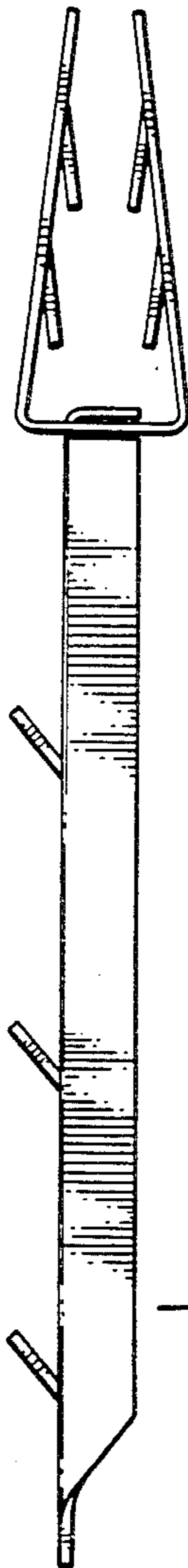
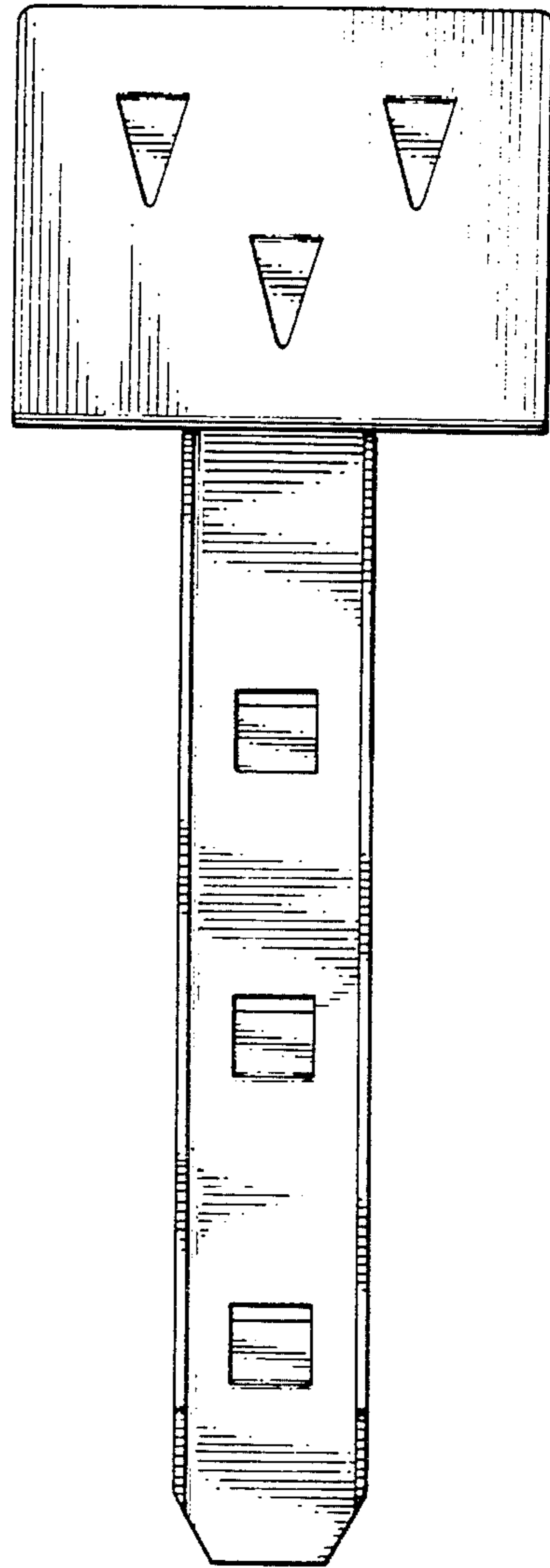


FIG. 3.

FIG. 4.

