

[54] PORTABLE BARBECUE

[76] Inventor: Lillian C. Best, 9831 Foster Rd., Downey, Calif. 90242

[**] Term: 14 Years

[21] Appl. No.: 490,050

[22] Filed: Apr. 29, 1983

[52] U.S. Cl. D7/332

[58] Field of Search D7/331-337; 126/25 R, 25 A, 25 B, 29, 30, 9 R, 9 A, 9 B

[56] References Cited

U.S. PATENT DOCUMENTS

- D. 235,088 5/1975 Erickson D7/332
- D. 258,108 2/1981 Cone D7/332
- 4,418,678 12/1983 Erickson 126/25 R

Primary Examiner—Wallace R. Burke

Assistant Examiner—Lynn Wilder
Attorney, Agent, or Firm—Hubbard, Stetina & Brunda

[57] CLAIM

The ornamental design for a portable barbecue, as shown and described.

DESCRIPTION

FIG. 1 is a front perspective view of a portable barbecue showing my new design;
 FIG. 2 is a rear perspective view thereof;
 FIG. 3 is a front perspective view thereof shown in open position;
 FIG. 4 is a front elevational view thereof;
 FIG. 5 is an end elevational view thereof, the opposite end being a mirror image;
 FIG. 6 is a front elevational view thereof shown in open position; and
 FIG. 7 is an end elevational view thereof, the opposite end being a mirror image.

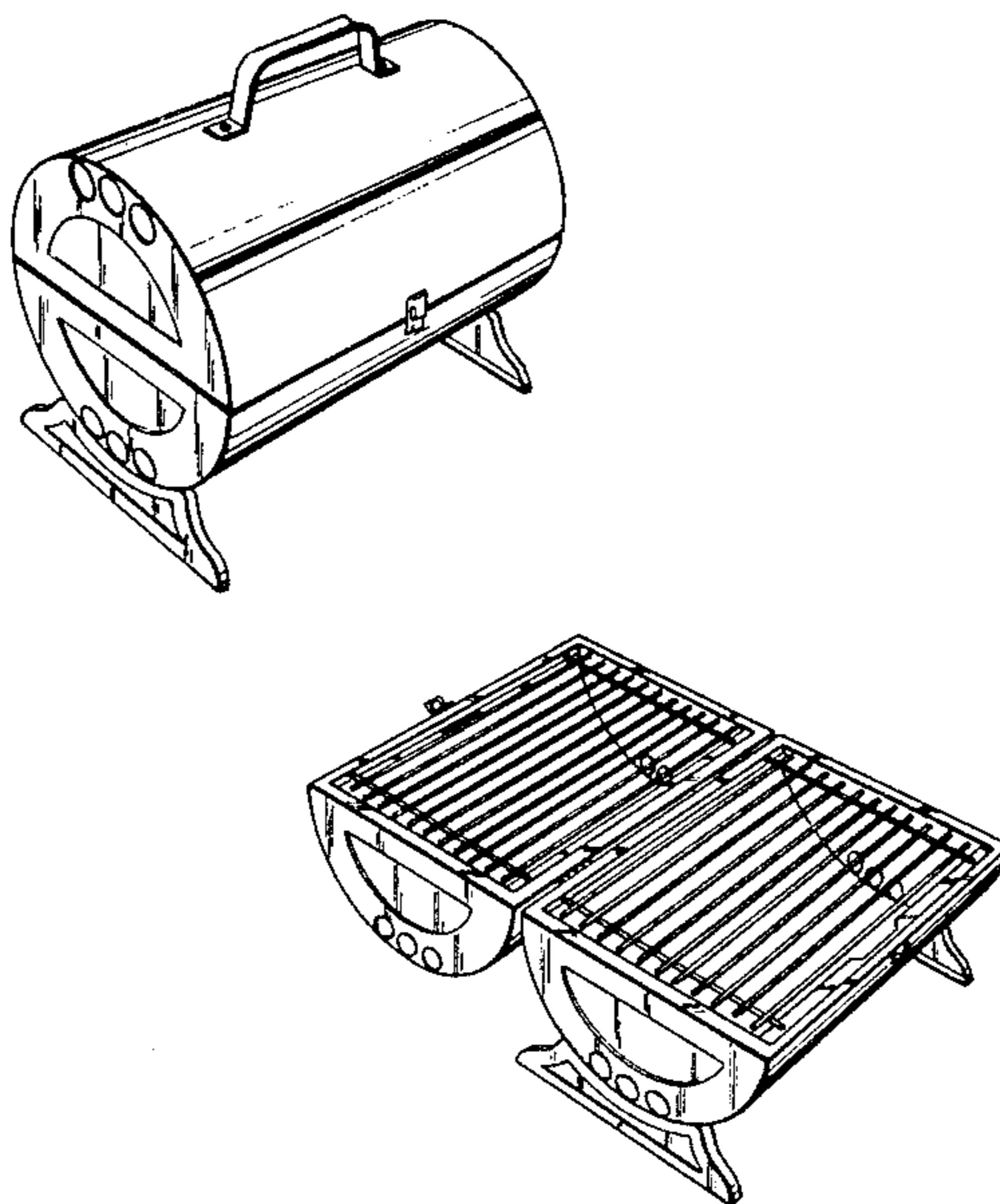


Fig. 1

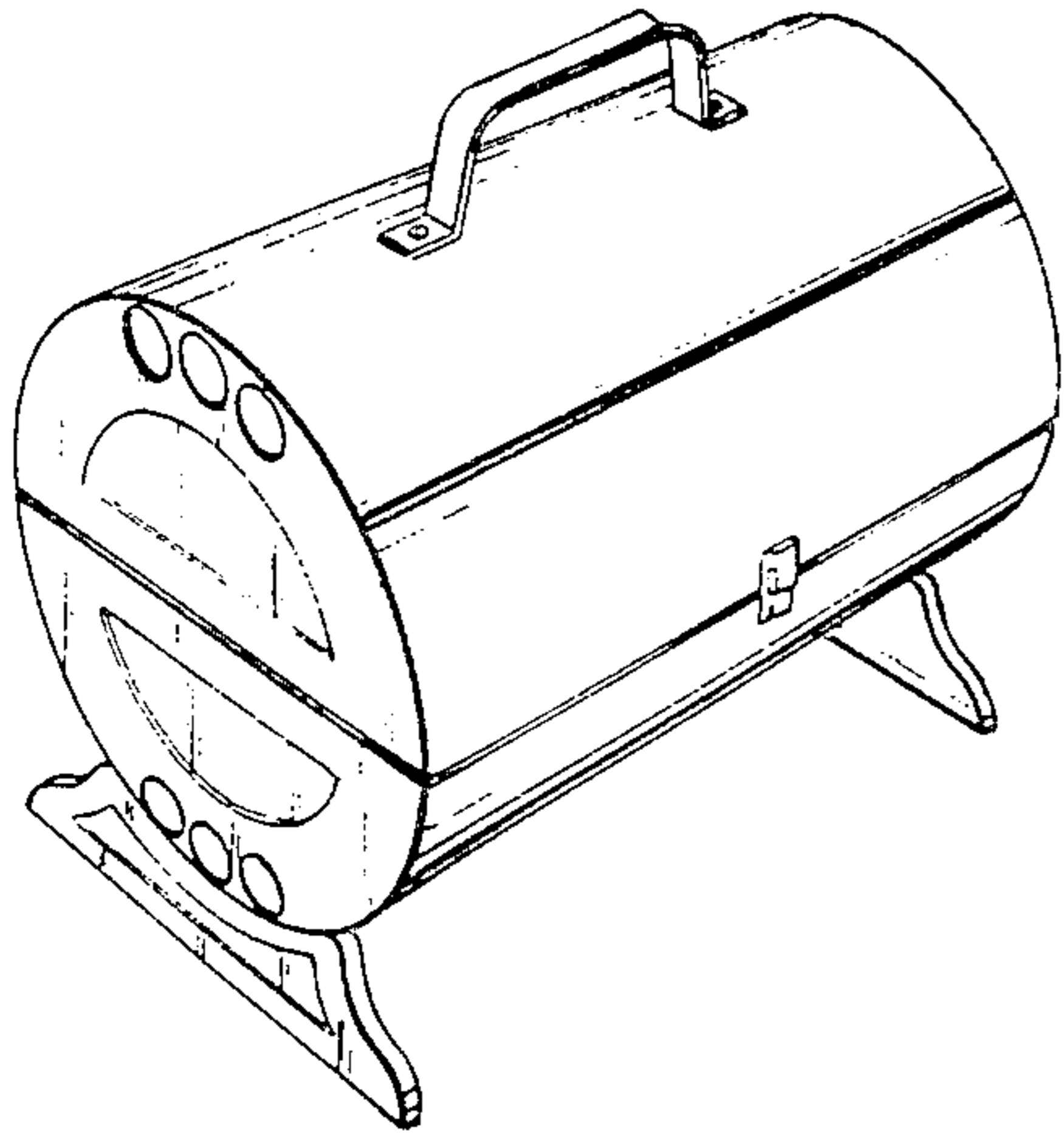


Fig. 2

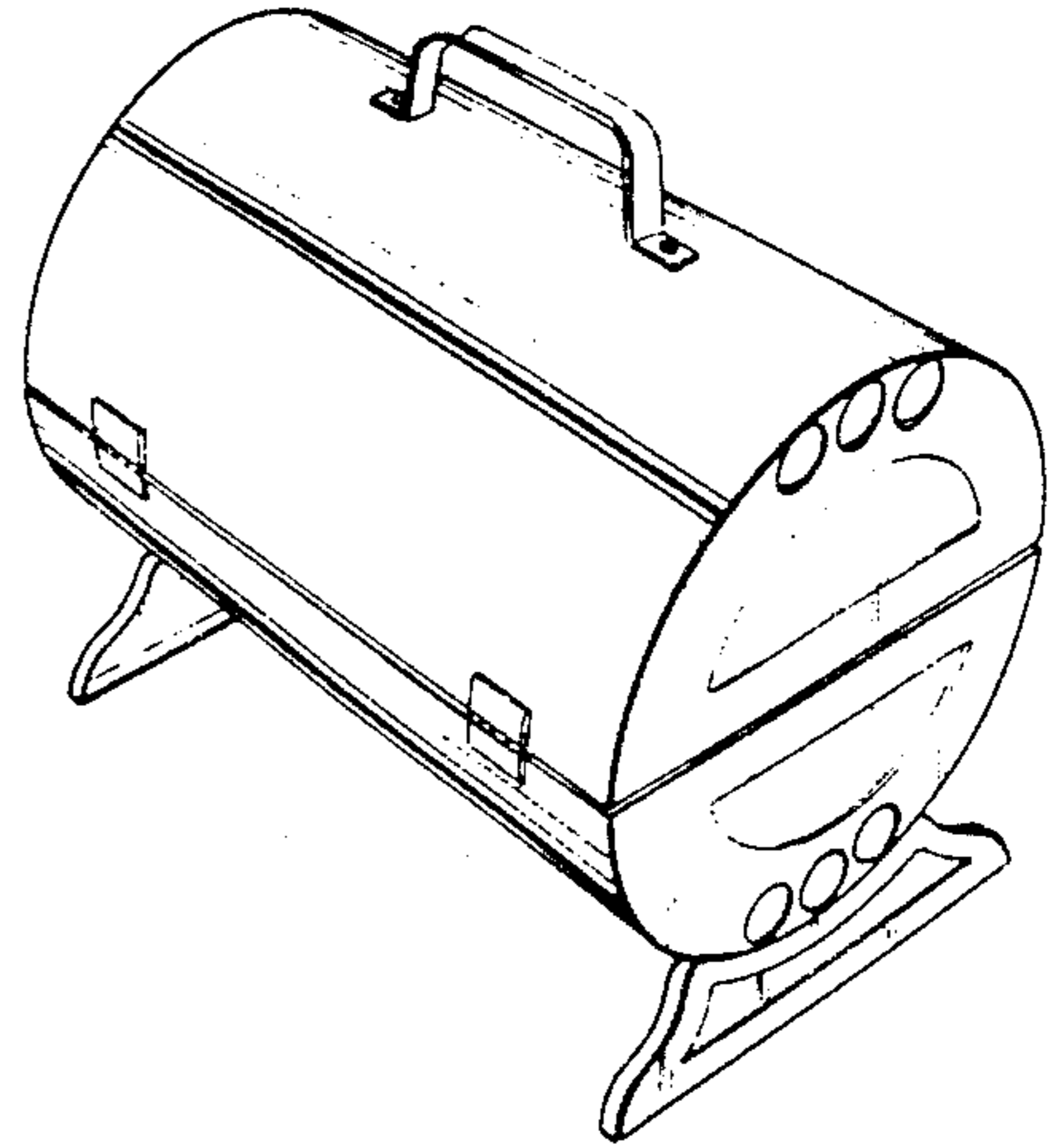


Fig. 3

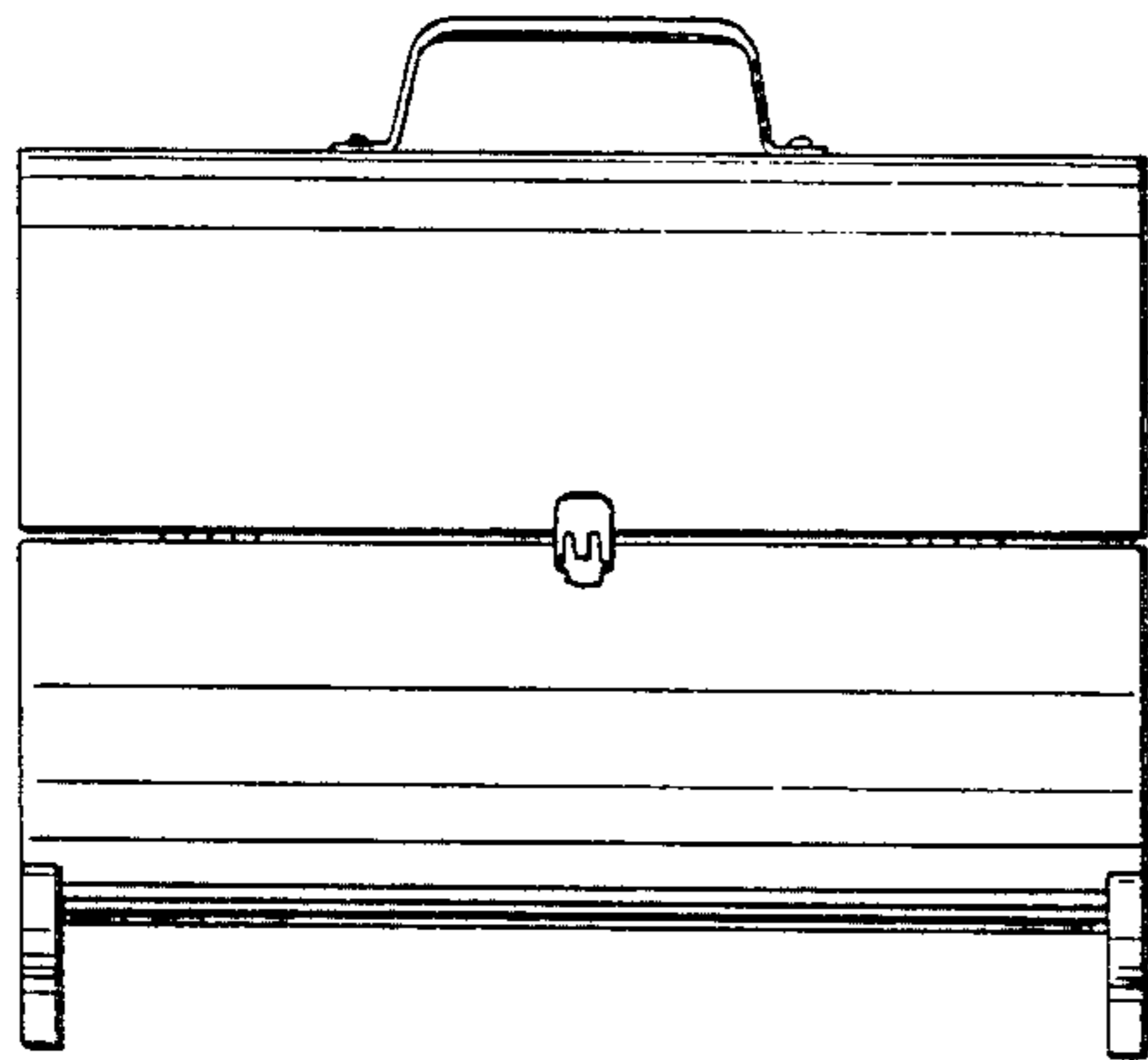
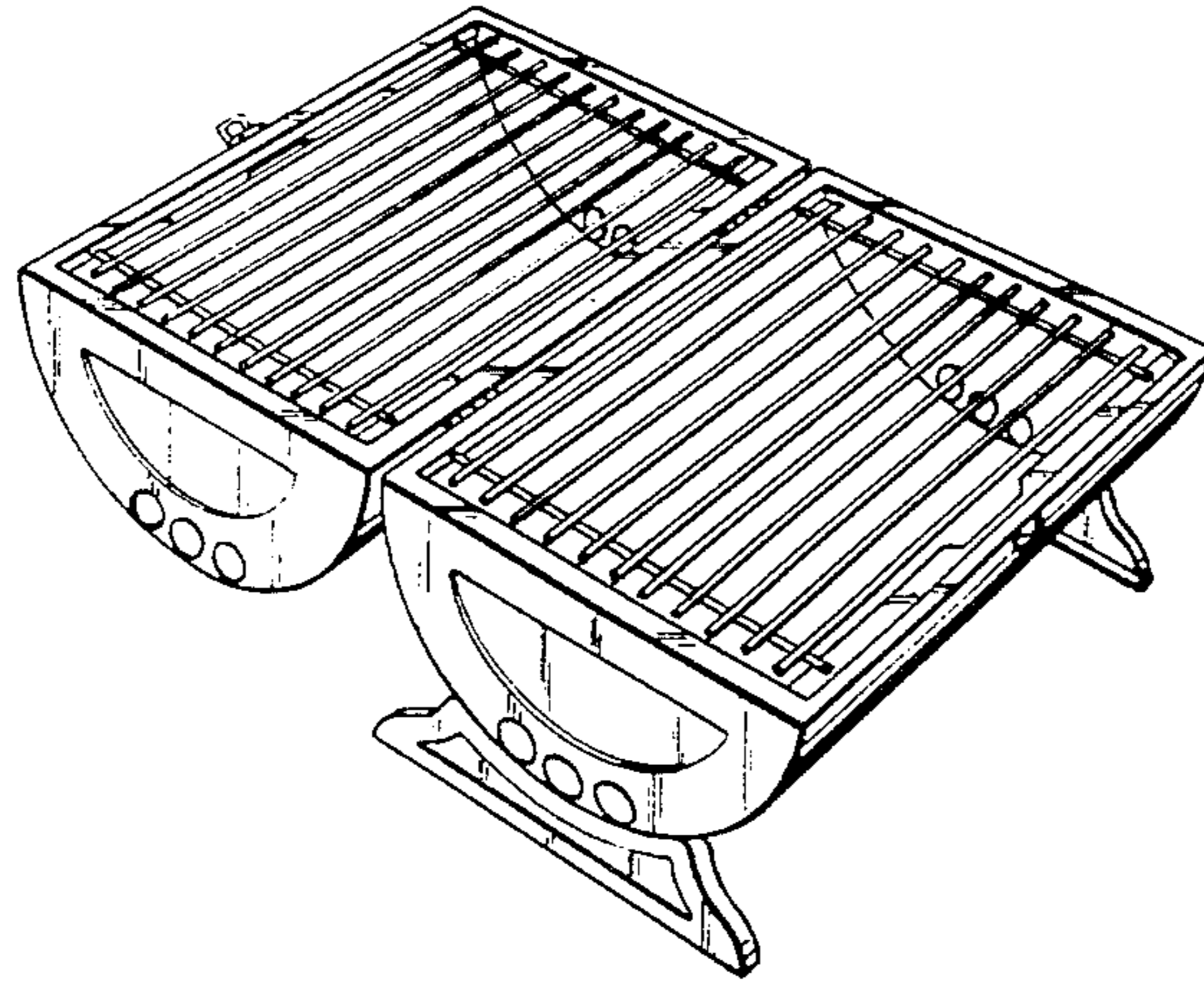


Fig. 4

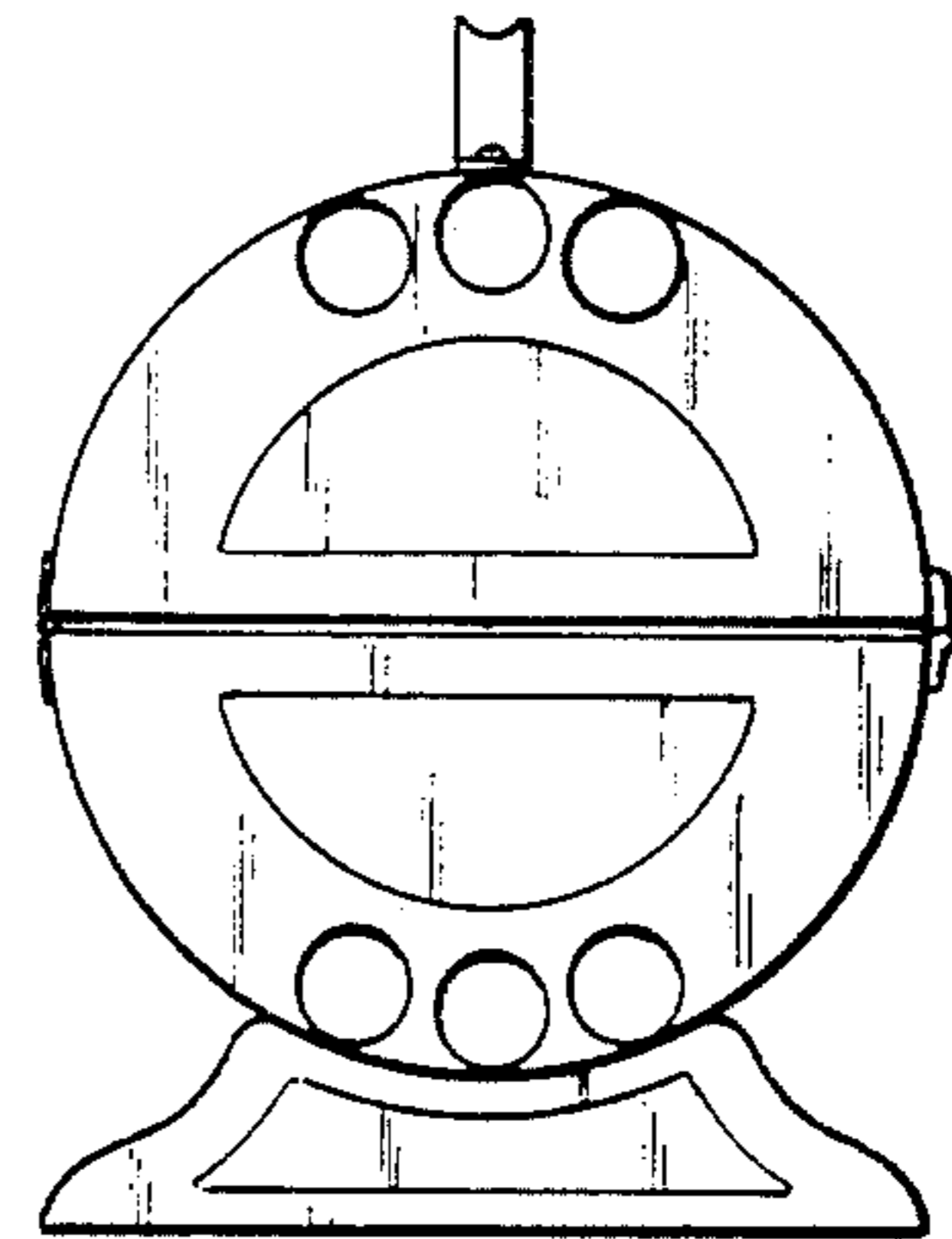


Fig. 5

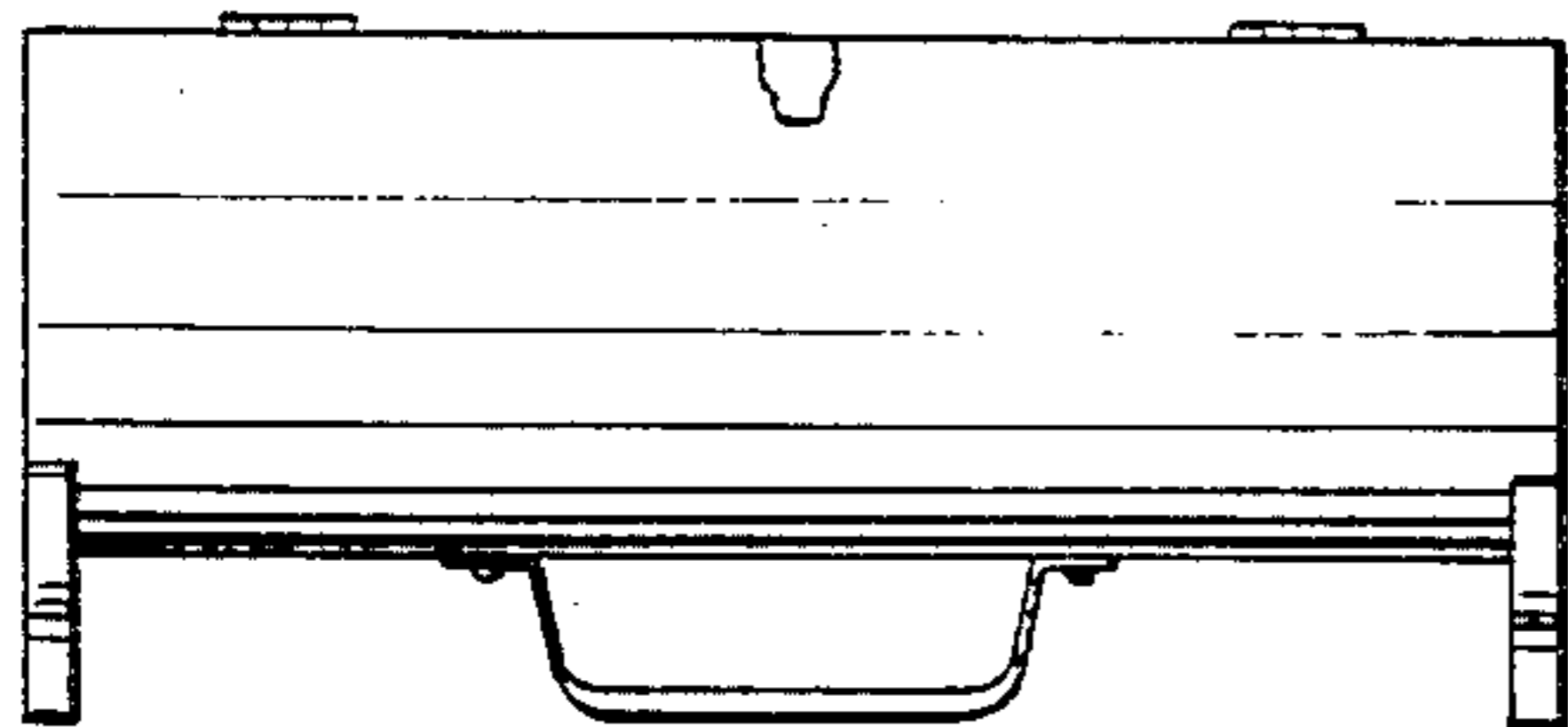


Fig. 6

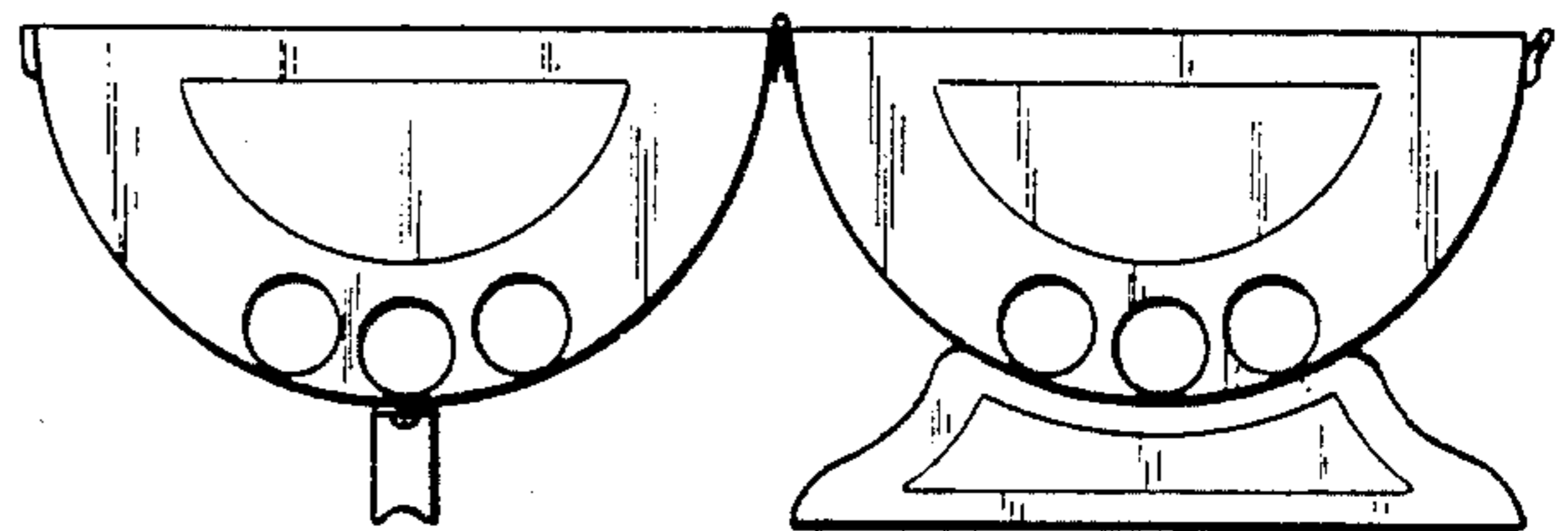


Fig. 7