

[54] TEA KETTLE OR SIMILAR ARTICLE

[75] Inventor: Joy C. Urich, New York, N.Y.

[73] Assignee: M. Kamenstein, Inc., White Plains, N.Y.

[**] Term: 14 Years

[21] Appl. No.: 522,098

[22] Filed: Aug. 11, 1983

[52] U.S. Cl. D7/322

[58] Field of Search D7/300, 316-319, D7/312, 310, 320, 321, 322

[56] References Cited

U.S. PATENT DOCUMENTS

- D. 115,928 8/1939 Kircher D7/322
- D. 157,599 3/1950 John et al. D7/322
- D. 159,307 7/1950 Welden D7/322

- D. 160,912 11/1950 Ziskin et al. D7/322
- D. 164,413 9/1951 Finch D7/322
- D. 274,595 7/1984 Lebowitz D7/322

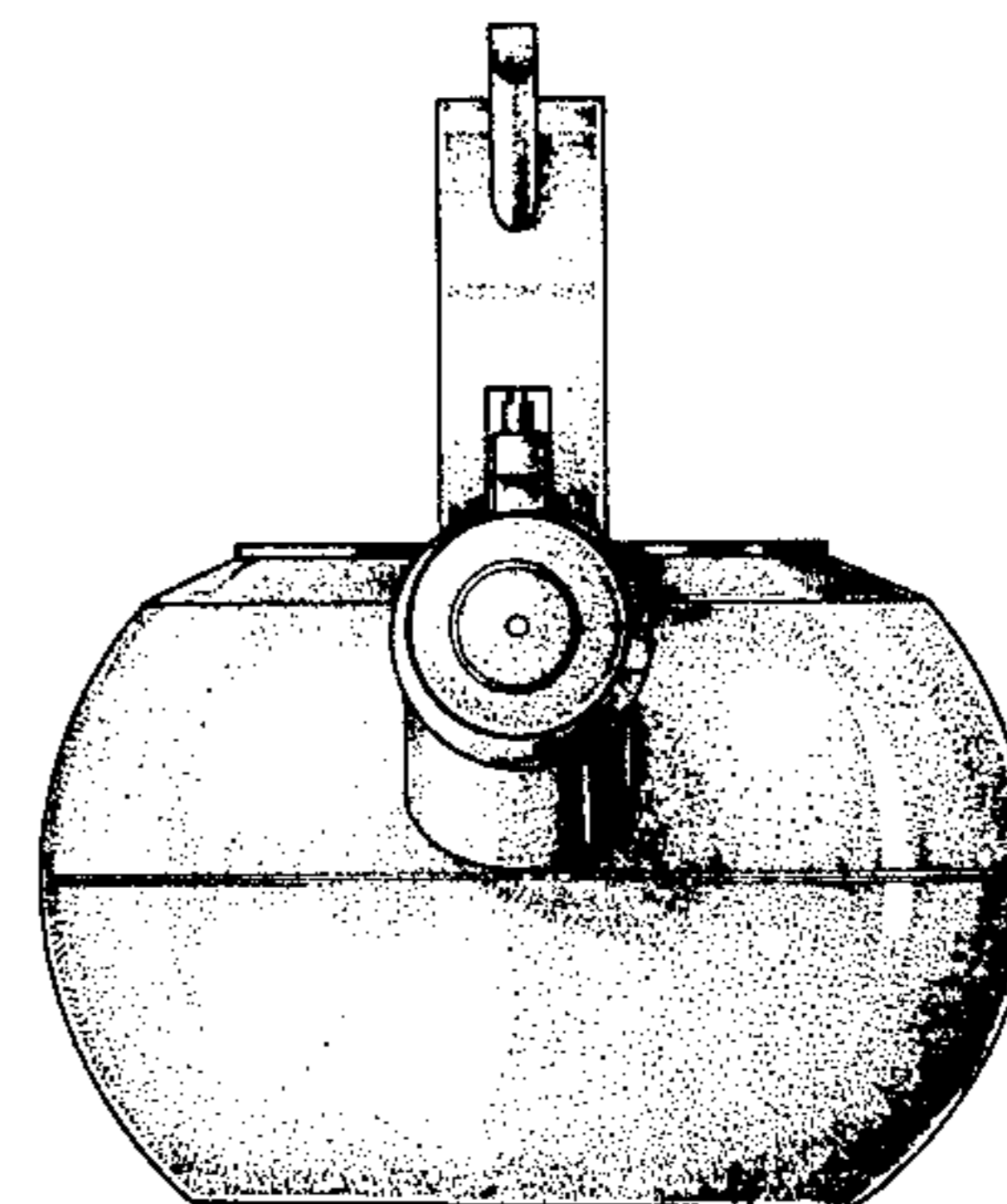
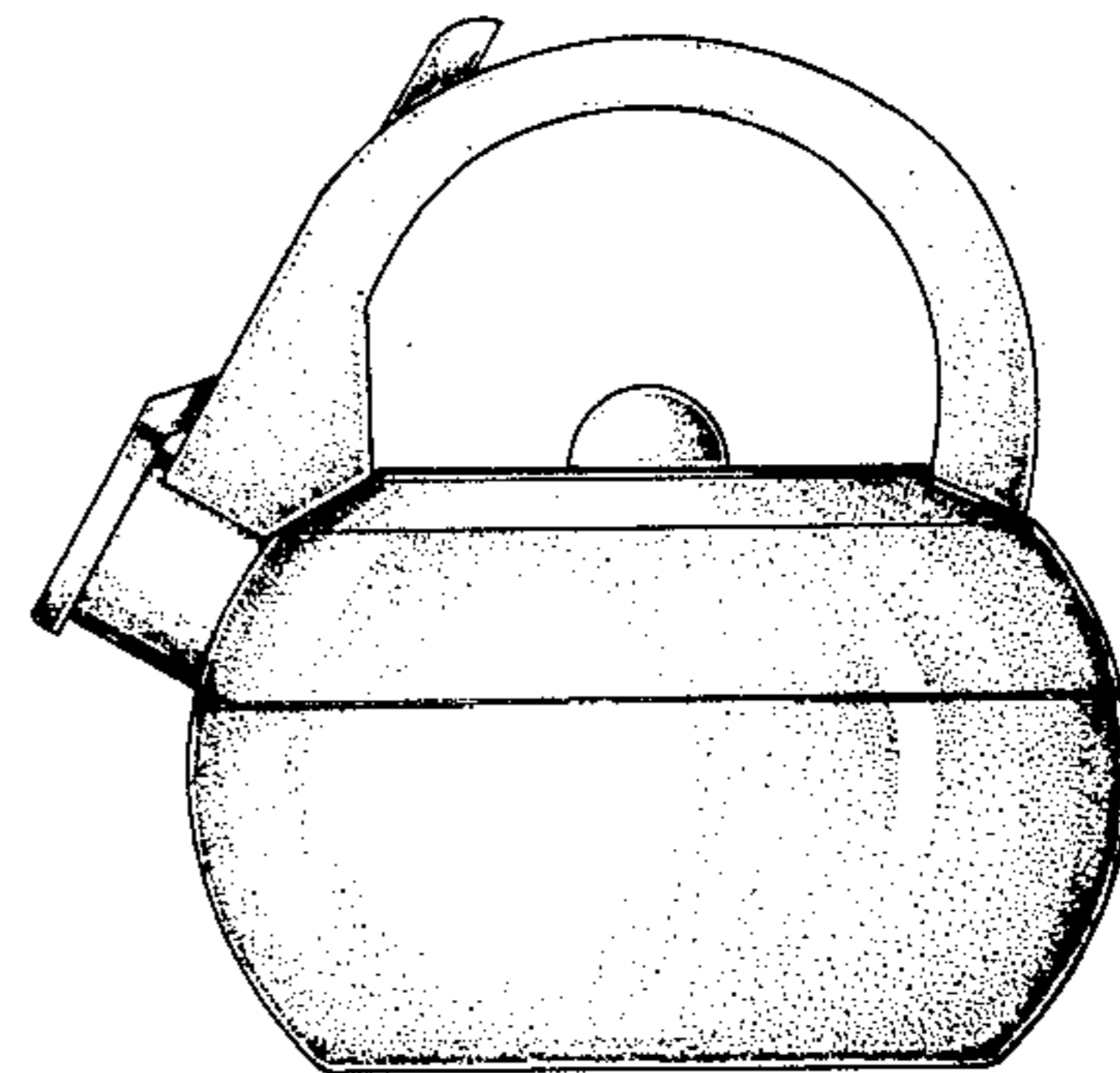
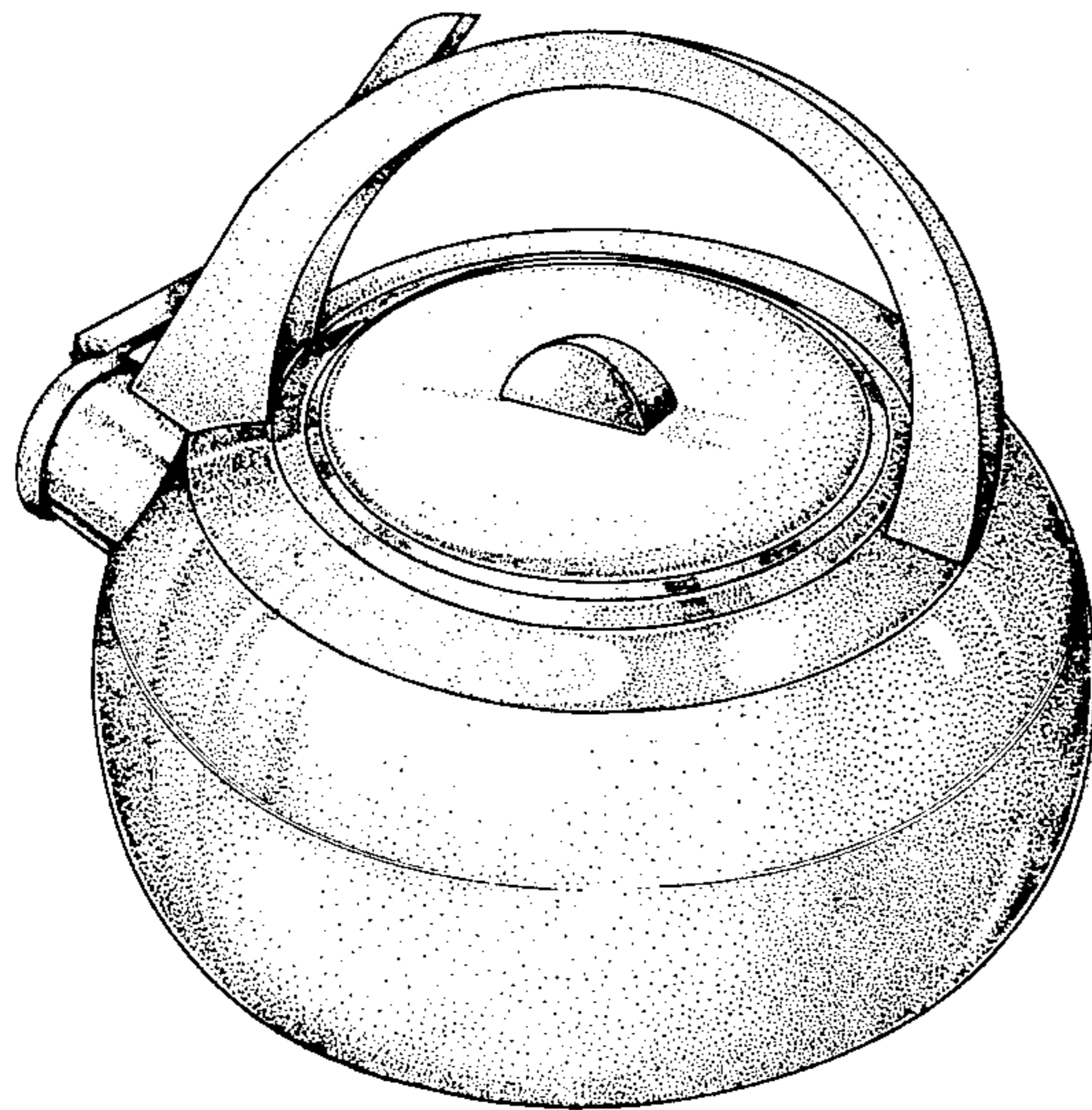
Primary Examiner—Winifred E. Herrmann
Attorney, Agent, or Firm—Collard, Roe & Galgano

[57] CLAIM

The ornamental design for a tea kettle or similar article, substantially as shown and described.

DESCRIPTION

FIG. 1 is a left side and top perspective view of a tea kettle or similar article showing my new design; FIG. 2 is a left side elevational view thereof; the right side elevational view being the same; FIG. 3 is a front elevational view thereof; FIG. 4 is a rear elevational view thereof; FIG. 5 is a top plan view thereof; and FIG. 6 is a bottom plan view thereof.



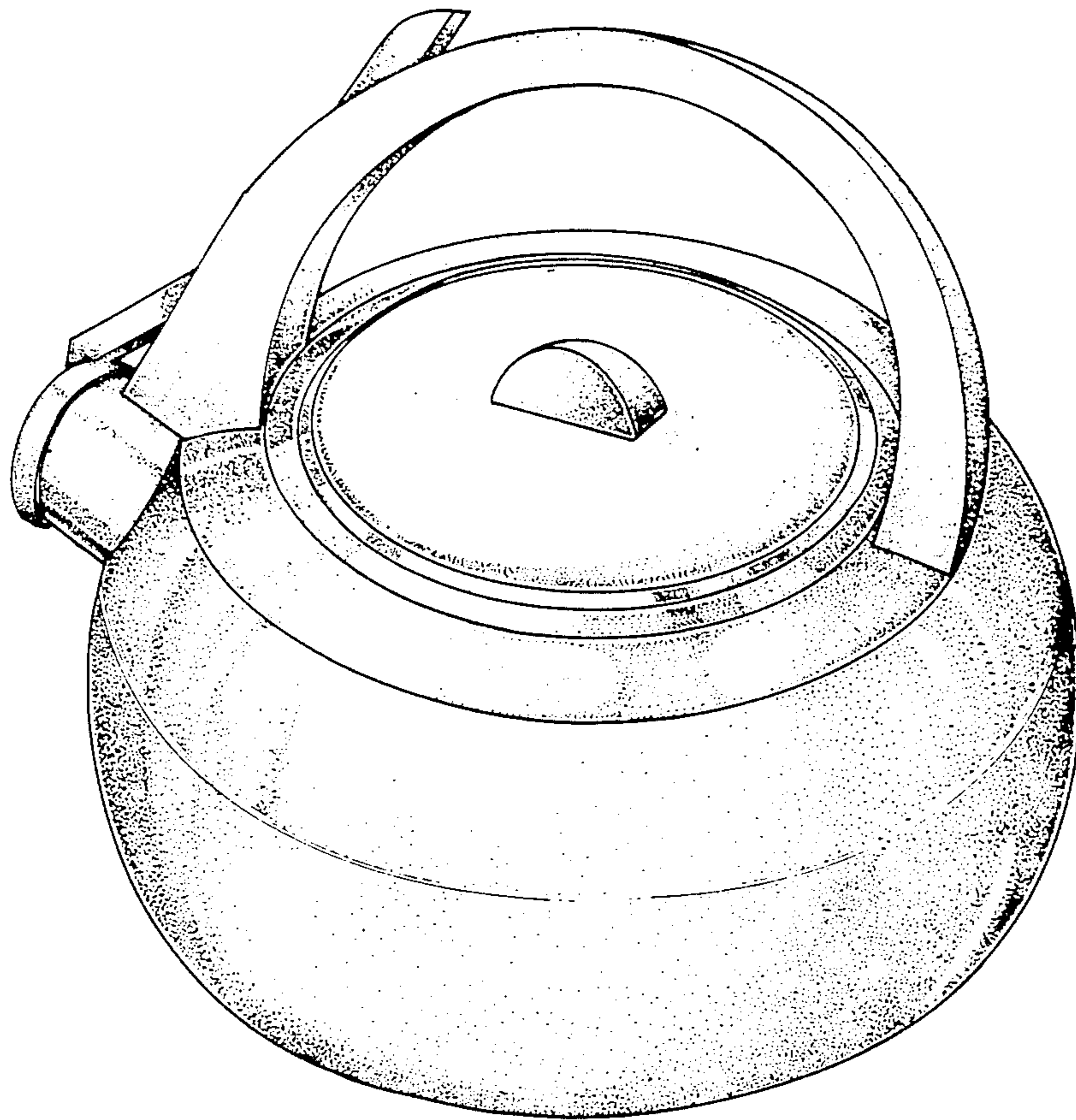


FIG. 1

FIG. 2

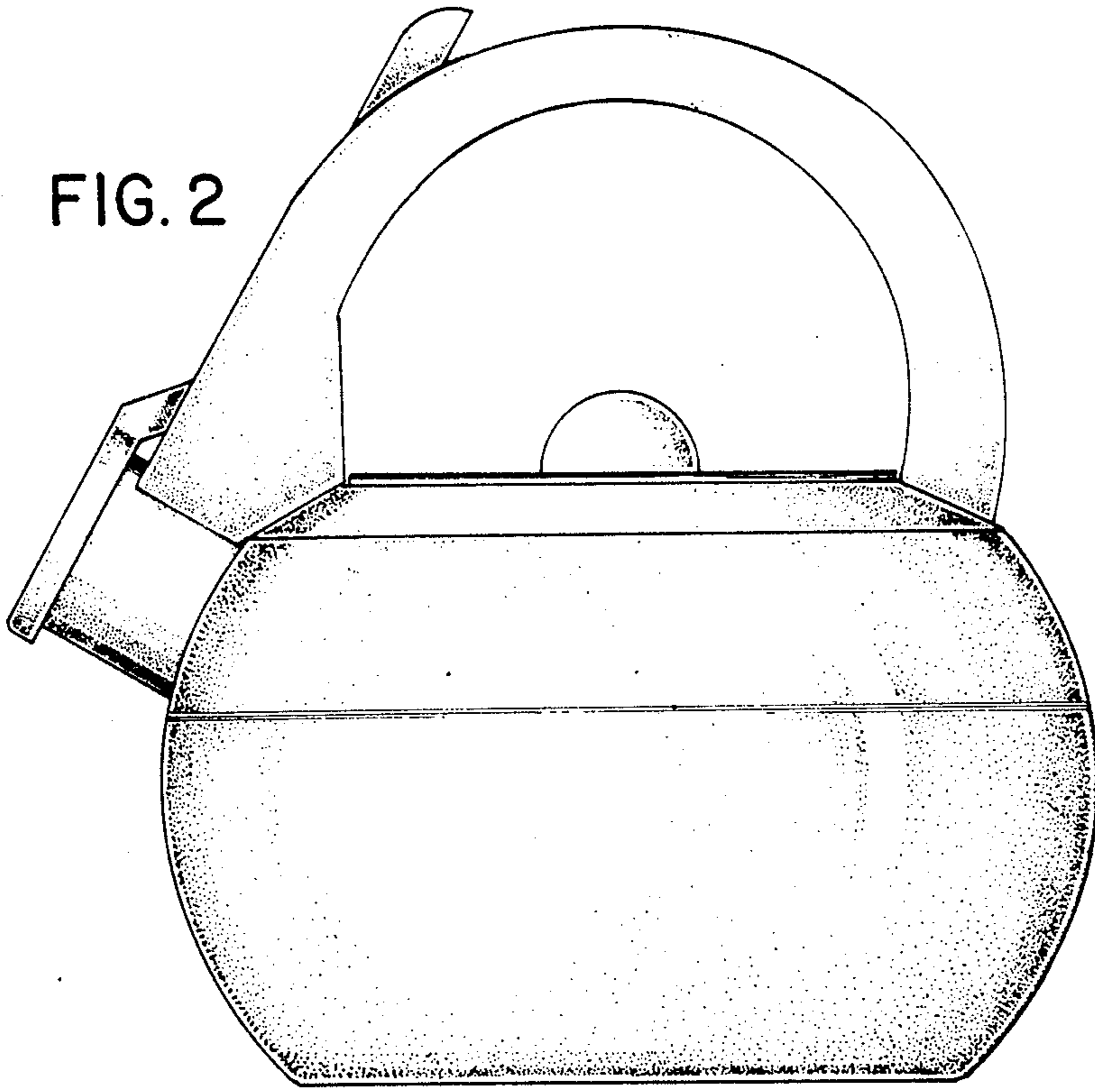


FIG. 3

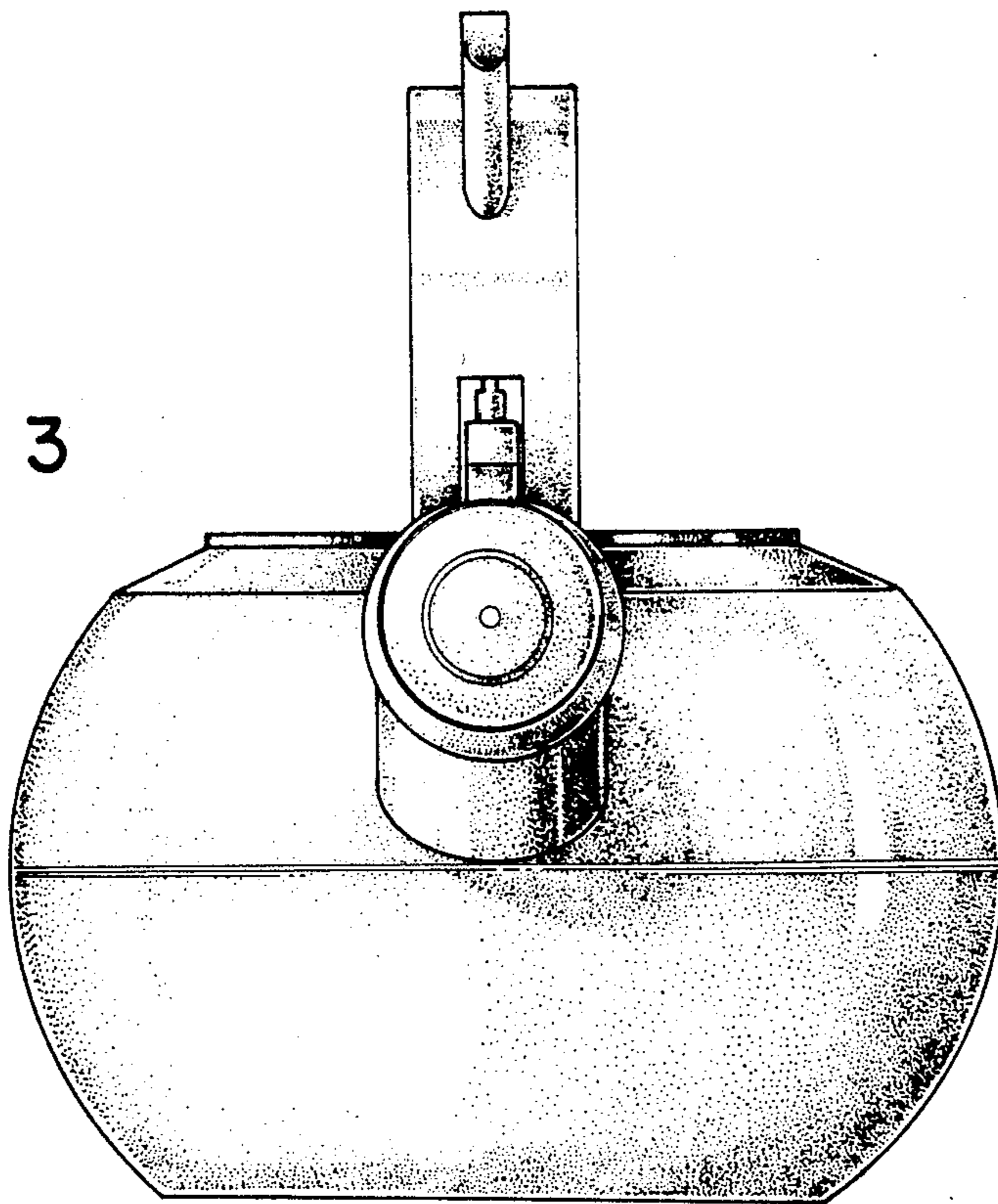


FIG. 4

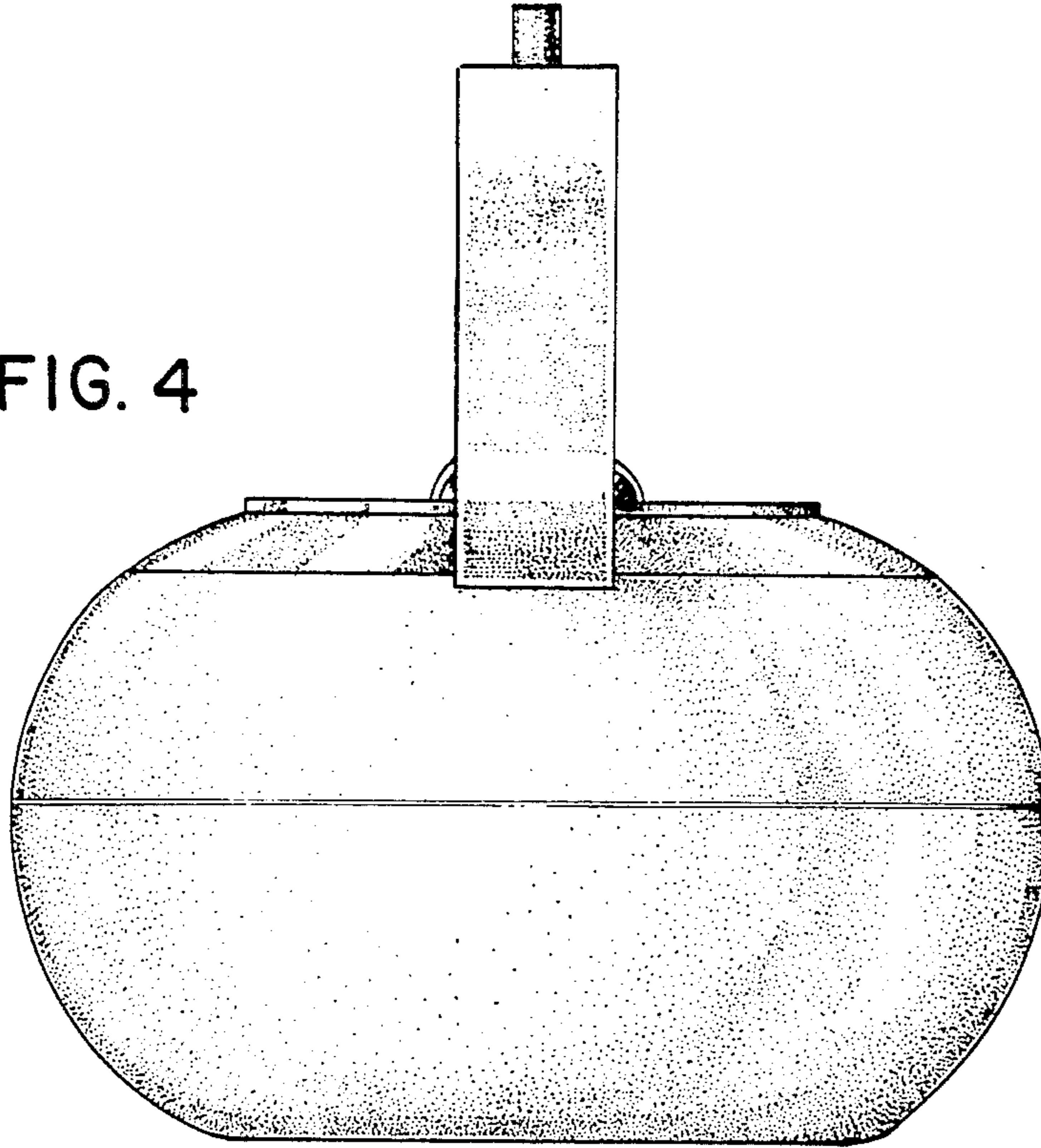


FIG. 5

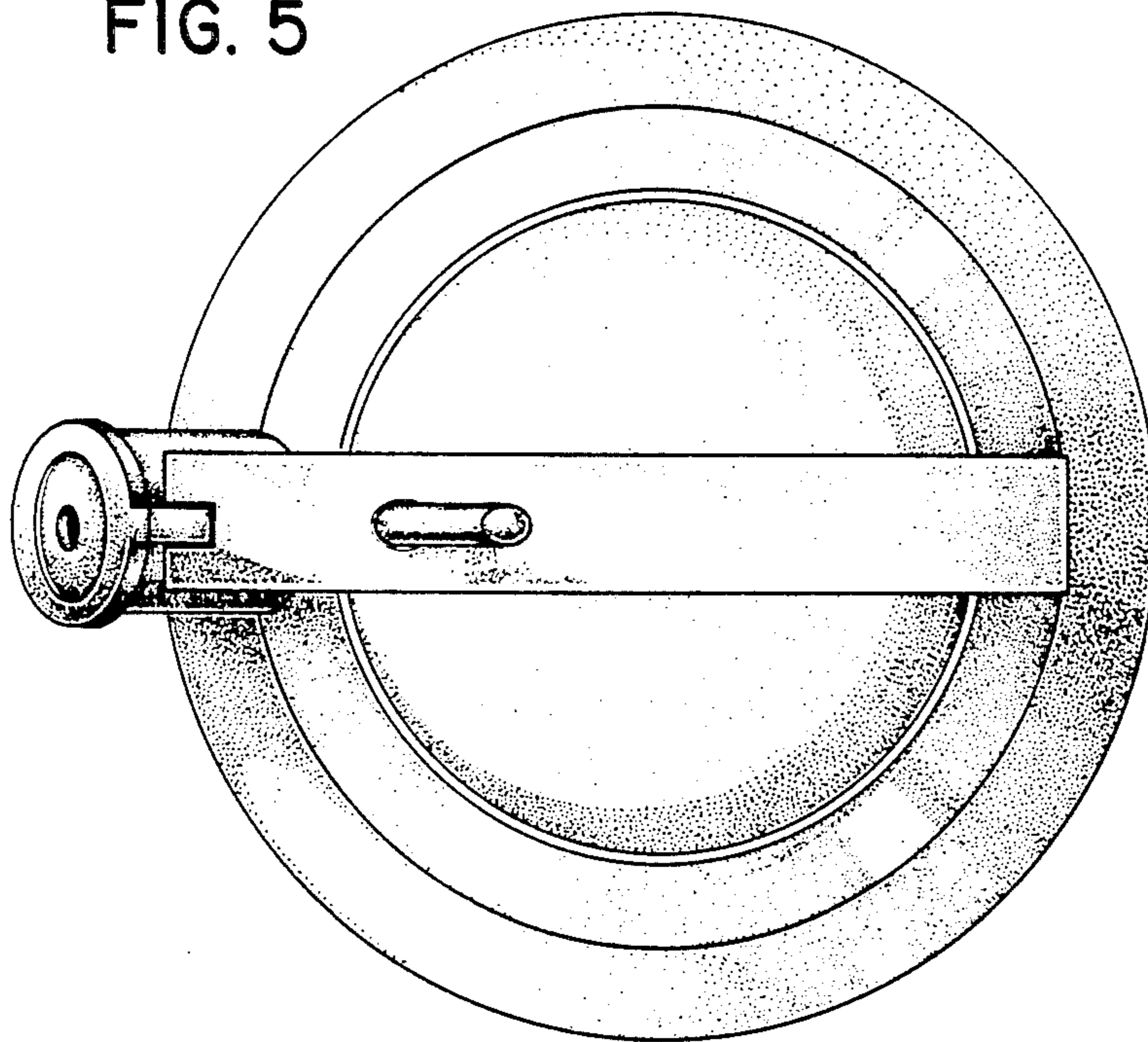


FIG. 6

